

# 2 Cable Entry Systems for Cables without Connectors



For routing cables without connectors icotek offers a wide range of products with a lot of advantages and benefits in comparison to conventional cable glands.

The compact, slim and innovative design of the membrane-based cable entry plates offer a professional appearance and high ingress protection ratings up to IP68 / UL type 4X.

Due to high cable densities especially suitable for applications where a lot of cables have to be entered through a small space.

For routing rigid large diameter cables icotek offers highly flexible conical cable entry grommets with high protection ratings.



# ProductFinder

| Product        | IP54 | IP64 | IP65 | IP66 | IP68 | UL TYPE 12 | UL TYPE 4X | Strain relief | Cable Ø mm min   max          | Max. no. of cables | Page    |
|----------------|------|------|------|------|------|------------|------------|---------------|-------------------------------|--------------------|---------|
| KEL-DPU 24     | ■    | ■    | ■    | ■    | ■    | ■          | ■          | ■             | 3.2 - 20.5<br>0.126 - 0.807 " | 32                 | 76 - 77 |
| KEL-DPZ 24     | ■    | ■    | ■    | ■    |      | ■          |            | ■             | 1.5 - 22<br>0.059 - 0.866 "   | 119                | 78 - 79 |
| KEL-DPZ-B      | ■    | ■    | ■    | ■    |      | ■          |            | ■             | 3.2 - 22<br>0.126 - 0.866 "   | 25                 | 80      |
| KEL-DPZ-E      | ■    | ■    | ■    | ■    |      | ■          |            | ■             | 3.2 - 12<br>0.126 - 0.472 "   | 21                 | 81      |
| KEL-DPZ-KL     | ■    | ■    | ■    |      |      | ■          |            | ■             | 3.2 - 22<br>0.126 - 0.866 "   | 72                 | 84      |
| KEL-DPZ round  | ■    | ■    | ■    | ■    | ■    | ■          | ■          | ■             | 1.5 - 22.2<br>0.059 - 0.874 " | 78                 | 82 - 83 |
| KEL-DP 24      | ■    | ■    |      |      |      | ■          |            |               | max. 16.1<br>max. 0.634 "     | 48                 | 86      |
| KEL-DP-E       | ■    | ■    |      |      |      | ■          |            |               | max. 12.1<br>max. 0.476 "     | 21                 | 87      |
| KEL-DP round   | ■    | ■    | ■    |      |      | ■          |            |               | max. 22.5<br>max. 0.886 "     | 35                 | 88 - 89 |
| KEL-DPF        | ■    | ■    | ■    | ■    | ■    | ■          | ■          | ■             | 3 - 70<br>0.118 - 2.857 "     | 1                  | 92      |
| KEL-JUMBO flex | ■    |      |      |      |      | ■          |            | ■             | 27 - 68<br>1.063 - 2.677 "    | 1                  | 94      |
| KEL-ULTRA flex | ■    | ■    | ■    | ■    |      | ■          |            | ■             | 25 - 115<br>0.984 - 4.528 "   | 1                  | 93      |

Further details on certifications and technical specifications can be found on the product pages.

# 2.1 Cable Entry Plates for Cables without Connectors



2.1

**High cable density**

**Fast and easy, partially tool-free assembly**

**Compact, space-saving design**

**IP64 to IP68 rated protection, double cable sealing on front and back side (KEL-DPU / KEL-DPZ)**

**Many cut-outs acc. to industrial standard dimensions**

**For metric cut-outs M25 - M63 (KEL-DPZ / KEL-DP round)**

**Flexible clamping range**

## Product Range



## Chapter Content 2.1



Cable entry plates | UL Type 12/4X  
screw/snap-in mounting, high strain relief

KEL-DPU 24

76 - 77



Cable entry plates | UL Type 12  
screw mounting, strain relief

KEL-DPZ 24

78 - 79



Cable entry plates | UL Type 12  
screw mounting, strain relief

KEL-DPZ-B

80



Cable entry plates | UL Type 12  
screw mounting, strain relief

KEL-DPZ-E

81



Cable entry plates, round | UL Type 12/4X  
with thread and locknut M32 - M63,  
strain relief

KEL-DPZ round

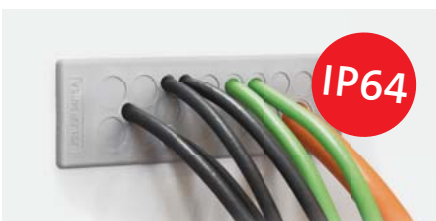
82 - 83



Cable entry plates | UL Type 12  
screw mounting, strain relief

KEL-DPZ-KL

84



Cable entry plates | UL Type 12  
plug-in mounting

KEL-DP 24

86 - 87



Cable entry plates | UL Type 12  
plug-in mounting

KEL-DP-E

86 - 87



Cable entry plates, round | UL Type 12  
plug-in mounting, M25 - M50

KEL-DP round

88 - 89



Plugs for membranes

ST-B

85

2.1

# KEL-DPU 24

## Heavy-Duty Cable Entry Plates with High Strain Relief



**IP66 IP68**



Also available in black.



Also available with threaded bushings.



Tool-free assembly possible due to snap-in function

### Product Description

2.1

KEL-DPU entry plates are designed to route and seal cables without connectors (from 3.2 mm to 20.5 mm in diameter) in limited space with IP66 / IP68\*\* / up to UL type 4X ratings.

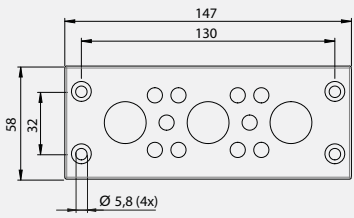
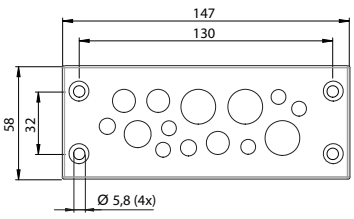
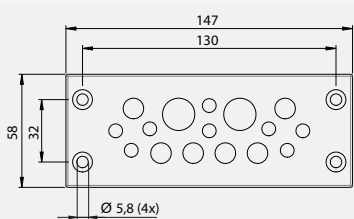
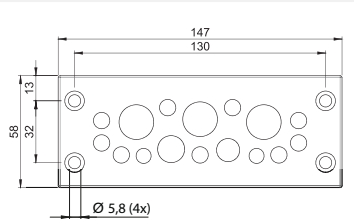
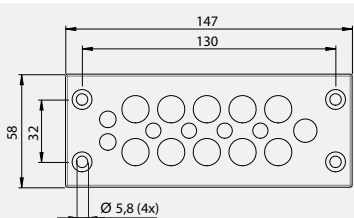
The KEL-DPU is particularly characterized by its solid robust frame and the increased strain relief of the routed cables.

The KEL-DPU 24 matches exactly the cut-out dimensions of 24-pin standard industrial connectors. For optional screw assembly just pierce the membranes on the integrated screw holes with the screw itself.

The assembly of the KEL-DPU with cables or pneumatic hoses can be done quick and easy. Simply make a small hole in the thin membrane and push the cables through.

ST-B Plugs can be used for sealing pierced membranes if cables have been removed.



| Description  | Type            | Order No.          | Number of cables   | PU |
|--|-----------------|--------------------|--|----|
|   | KEL-DPU 24 13   | ■ 43940<br>■ 50940 | 10× 3.2 - 6.3 mm /<br>0.126 - 0.248 "<br>3× 16 - 20.5 mm /<br>0.63 - 0.807 "   | 10 |
|  | KEL-DPU 24 14   | ■ 43944<br>■ 50944 | 5× 3.2 - 6.3 mm /<br>0.126 - 0.248 "<br>2× 4 - 7.5 mm /<br>0.157 - 0.295 "<br>3× 5.5 - 10.5 mm /<br>0.217 - 0.413 "<br>1× 8 - 12.5 mm /<br>0.315 - 0.492 "<br>3× 12 - 16.2 mm /<br>0.472 - 0.638 " | 10 |
|  | KEL-DPU 24 16   | ■ 43936<br>■ 50936 | 8× 3.2 - 5.5 mm /<br>0.126 - 0.217 "<br>6× 5 - 8.5 mm /<br>0.197 - 0.335 "<br>2× 9.5 - 14.5 mm /<br>0.374 - 0.571 "  | 10 |
|  | KEL-DPU 24 16-1 | ■ 43932<br>■ 50932 | 2× 3.2 - 6.3 mm /<br>0.126 - 0.248 "<br>9× 4 - 7.5 mm /<br>0.157 - 0.295 "<br>1× 5.5 - 10.5 mm /<br>0.217 - 0.413 "<br>1× 8 - 12.5 mm /<br>0.315 - 0.492 "<br>3× 12 - 16.2 mm /<br>0.472 - 0.638 " | 10 |
|  | KEL-DPU 24 17   | ■ 43934<br>■ 50934 | 4× 3.2 - 6.3 mm /<br>0.126 - 0.248 "<br>2× 4 - 7.5 mm /<br>0.157 - 0.295 "<br>1× 5.5 - 10.5 mm /<br>0.217 - 0.413 "<br>10× 8 - 12.5 mm /<br>0.315 - 0.492 "  | 10 |

\* Only valid for gray product types | \*\* IP68 only when screw mounted

# KEL-DPU 24

## Heavy-Duty Cable Entry Plates with High Strain Relief



Membrane on front

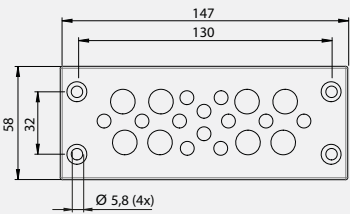
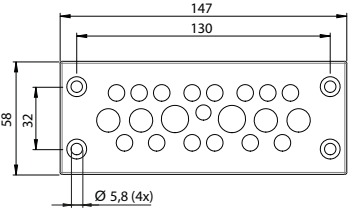
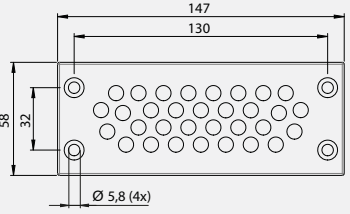


Conical shape on back provides additional sealing and strain relief



Resistant against industrial detergents (ECOLAB certified)



| Description   | Type          | Order No.  | Number of cables  | PU |
|---|---------------|--|---|----|
|   | KEL-DPU 24 20 | <ul style="list-style-type: none"> <li>■ 43938</li> <li>■ 50938</li> </ul> | <ul style="list-style-type: none"> <li>12x 3.2 - 5.5 mm / 0.126 - 0.217 "</li> <li>8x 5 - 10.5 mm / 0.197 - 0.413 "</li> </ul>  | 10 |
|  | KEL-DPU 24 21 | <ul style="list-style-type: none"> <li>■ 43930</li> <li>■ 50930</li> </ul> | <ul style="list-style-type: none"> <li>1x 3.2 - 6.3 mm / 0.126 - 0.248 "</li> <li>14x 4 - 7.5 mm / 0.157 - 0.295 "</li> <li>4x 5.5 - 10.5 mm / 0.217 - 0.413 "</li> <li>2x 8 - 12.5 mm / 0.315 - 0.492 "</li> </ul> | 10 |
|  | KEL-DPU 24 32 | <ul style="list-style-type: none"> <li>■ 43942</li> <li>■ 50942</li> </ul> | <ul style="list-style-type: none"> <li>32x 3.2 - 6.3 mm / 0.126 - 0.248 "</li> </ul>  | 10 |

\* Only valid for gray product types | \*\* IP68 only when screw mounted

### Advantages & Benefits

- Snap or screw mounting possible
- High strength & stability
- High strain relief
- Fast and easy assembly
- High cable density
- Dual cable sealing with IP66/IP68\*\*/up to UL type 4X
- Hygienic design - free of dirt-collecting recesses

2.1

### Specifications

|                       |  |
|-----------------------|--|
| Material              | Frame: Polypropylene (PP)  |
|                       | Sealing plate: Elastomer   |
| Colour                | <ul style="list-style-type: none"> <li>■ gray (similar RAL 7035)</li> <li>■ black</li> </ul> |
| Flame class           | UL94-Vo  |
| IP rating             | IP66/IP68 (certified acc. to EN 60529)   |
| UL type rating        | UL type 12 (acc. to UL 50E)  |
|                       | UL type 4X (acc. to UL 50E)  |
| Operating temperature | - 40°C to + 90°C (static)  |
|                       | - 40°F to + 194°F (static)   |
| Properties            | Halogen-free, silicone-free  |
| Cut-out dimensions    | 36 × 112 mm / 0.551 × 4.409 "  |
|                       | page 218 - 219   |
| Plate depth           | 14 mm / 0.551 "  |
| For wall thickness    | 1.5 - 2 mm / 0.059 x 0.079 "   |
|                       | (snap-in mounting)   |

### Accessories

|                             |           |
|-----------------------------|-----------|
| ST-B Plugs                  | 85        |
| KEL-EMC-PF Grounding mounts | 139       |
| FP Flanged plates           | 178 - 183 |

# KEL-DPZ 24

## Cable Entry Plates



**IP66**



Also available in black.



Also available with threaded bushings.



Membrane on front

### Product Description

2.1

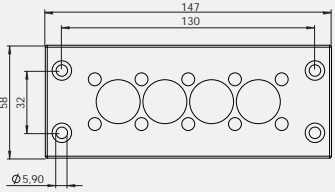
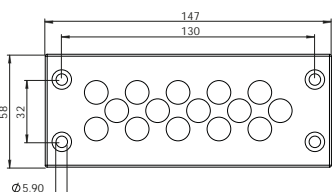
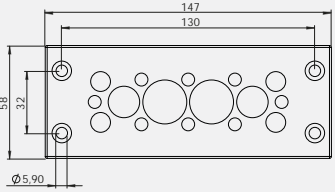
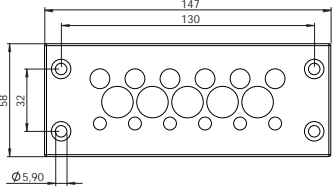
KEL-DPZ entry plates are designed to route and seal up to 121 cables without connectors or fiber optics (from 1.5 mm to 22 mm in diameter) in limited space.

The KEL-DPZ products are a cost and time saving alternative to traditional cable glands.

The assembly of the KEL-DPZ 24 with cables or pneumatic hoses can be done quick and easy. Simply make a small hole in the thin membrane, push the cables through. The KEL-DPZ 24 provides strain relief and protection up to IP66 / UL type 12.

The size DPZ 24 matches exactly the cut-out dimensions of 24-pin standard industrial connectors.

ST-B Plugs can be used for sealing pierced membranes if cables have been removed.

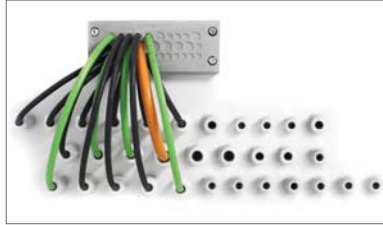
| Description  | Type          | Order No.          | Number of cables   | PU |
|--|---------------|--------------------|--|----|
|   | KEL-DPZ 24 14 | ■ 43700<br>■ 50700 | 10× 3.2 - 6.5 mm /<br>0.126 - 0.248 "<br>4× 16 - 22 mm /<br>0.63 - 0.866 "   | 10 |
|  | KEL-DPZ 24 15 | ■ 43720<br>■ 50720 | 15× 7.2 - 12 mm /<br>0.283 - 0.472 "   | 10 |
|  | KEL-DPZ 24 16 | ■ 43725<br>■ 50725 | 8× 3.2 - 6.5 mm /<br>0.126 - 0.248 "<br>4× 5 - 9.7 mm /<br>0.197 - 0.382 "<br>2× 9 - 16.2 mm /<br>0.354 - 0.638 "<br>2× 16 - 22 mm /<br>0.63 - 0.866 " | 10 |
|  | KEL-DPZ 24 17 | ■ 43705<br>■ 50705 | 6× 3.2 - 6.5 mm /<br>0.126 - 0.248 "<br>6× 5 - 10.2 mm /<br>0.197 - 0.402 "<br>5× 9 - 16.2 mm /<br>0.354 - 0.638 "                                     | 10 |

\* Only valid for gray product types

# KEL-DPZ 24 Cable Entry Plates



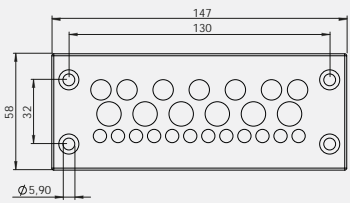
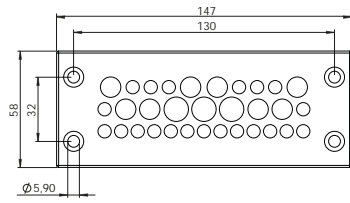
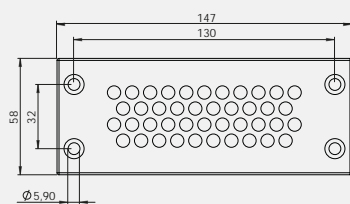
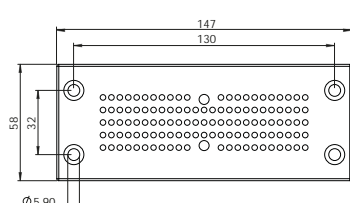
Conical shape on back provides additional sealing and strain relief



High cable density



**IP66**

| Description  | Type           | Order No.          | Number of cables   | PU |
|--|----------------|--------------------|--|----|
|   | KEL-DPZ 24 25  | ■ 43710<br>■ 50710 | 12x 3.2 - 6.5 mm /<br>0.126 - 0.248 "<br>7x 4.8 - 9.7 mm /<br>0.189 - 0.382 "<br>6x 7.5 - 12 mm /<br>0.295 - 0.472 " | 10 |
|  | KEL-DPZ 24 32  | ■ 43730<br>■ 50730 | 21x 3.2 - 6.5 mm /<br>0.126 - 0.248 "<br>8x 5 - 10.2 mm /<br>0.197 - 0.402 "<br>3x 7.5 - 12 mm /<br>0.295 - 0.472 "  | 10 |
|  | KEL-DPZ 24 42  | ■ 43715<br>■ 50715 | 42x 3.2 - 6.5 mm /<br>0.126 - 0.248 "  | 10 |
|  | KEL-DPZ 24 121 | ■ 43735<br>■ 50735 | 119x 1.5 - 2.6 mm /<br>0.059 - 0.102 "<br>2x 2.5 - 5 mm<br>0.098 - 0.197 "   | 10 |

\* Only valid for gray product types.

## Advantages & Benefits

- Fast and easy assembly
- High cable density
- Dual sealing acc. to IP65/IP66/UL type 12
- Automatic sealing and strain relief for the cable
- Hygienic design

## Specifications

|                       |  |
|-----------------------|--|
| Material              | Frame: Polyamide (PA)  |
| Color                 | Sealing plate: Elastomer<br>■ gray (similar RAL 7035)<br>■ black |
| Flame class           | UL94-Vo  |
| IP rating             | IP65/IP66 (certified acc. to EN 60529)                           |
| UL type rating        | UL type 12 (acc. to UL 50E)                                      |
| Operating temperature | - 40°C to + 90°C (static)<br>- 40°F to + 194°F (static)          |
| Properties            | Halogen-free, silicone-free                                      |
| Cut-out dimensions    | 36 x 112 mm / 1.417 x 4.049 /<br>page 218 - 219                  |
| Plate depth           | 14 mm  |

## Accessories

|                             |           |
|-----------------------------|-----------|
| ST-B Plugs                  | 85        |
| KEL-EMC-PF Grounding mounts | 139       |
| FP Flanged plates           | 178 - 183 |



# KEL-DPZ-B

## Cable Entry Plates



Also available in black.



Also available with threaded bushings.



Membrane on front

### Product Description

2.1

The KEL-DPZ-B entry plates are designed for routing cables without connectors.

The assembly of the KEL-DPZ-B with cables or pneumatic hoses can be done quick and easy. Simply make a small hole in the thin membrane and push the cables through. The KEL-DPZ-B provides strain relief and protection IP66 / UL type 12.

With an area of only 46 × 46 mm, up to 25 cables can be easily routed and sealed.

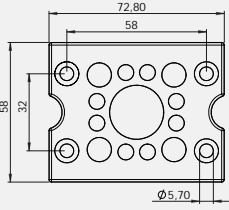
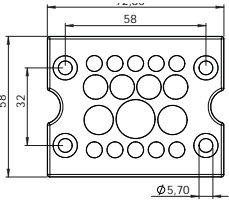
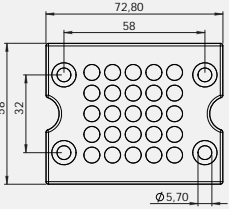
ST-B Plugs can be used for sealing pierced membranes if cables have been removed.

### Advantages & Benefits

- Space saving shape
- Dual sealing of cables acc. to IP66/UL type 12
- High cable density
- Fast and easy assembly
- Hygienic design

### Specifications

|                       |  |
|-----------------------|--|
| Material              | Frame: Polyamide (PA)<br>Sealing plate: Elastomer                                  |
| Color                 | <input type="checkbox"/> gray (similar RAL 7035)<br><input type="checkbox"/> black |
| Flame class           | UL94-Vo  |
| IP rating             | IP66 (certified acc. to EN 60529)  |
| UL type rating        | UL type 12 (acc. to UL 50E)  |
| Operating temperature | - 40°C to + 90°C (static)<br>- 40°F to + 194°F (static)                            |
| Properties            | Halogen-free, silicone-free  |
| Cut-out dimensions    | 46 × 46 mm / 1.811 x 1.811 " / page 218 - 219                                      |
| Plate depth           | 10 mm  |

| Description   | Type         | Order No.  | Number of cables   | PU |
|---|--------------|--|--|----|
|   | KEL-DPZ-B 13 | <input type="checkbox"/> 43794<br><input type="checkbox"/> 50794 | 8× 3.2 - 6.5 mm / 0.126 - 0.248 "<br>4× 5 - 10.2 mm / 0.197 - 0.402 "<br>1× 16 - 22 mm / 0.63 - 0.866 "  | 10 |
|  | KEL-DPZ-B 17 | <input type="checkbox"/> 43796<br><input type="checkbox"/> 50796 | 10× 3.2 - 6.5 mm / 0.126 - 0.248 "<br>4× 5 - 10.2 mm / 0.197 - 0.402 "<br>2× 7.5 - 12 mm / 0.295 - 0.472 "<br>1× 9 - 16.2 mm / 0.354 - 0.638 " | 10 |
|  | KEL-DPZ-B 25 | <input type="checkbox"/> 43798<br><input type="checkbox"/> 50798 | 25× 3.2 - 6.5 mm / 0.126 - 0.248 "   | 10 |

\* Only valid for gray product types

### Accessories

|                   |           |
|-------------------|-----------|
| ST-B Plugs        | 85        |
| FP Flanged plates | 178 - 183 |

# KEL-DPZ-E Cable Entry Plates

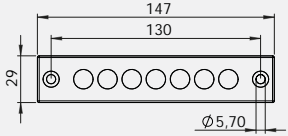
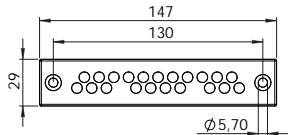


Conical shape on back provides additional sealing and strain relief



Also available in black.



| Description   | Type             | Order No.   | Number of cables                    | PU |
|---|------------------|---|-------------------------------------|----|
|   | KEL-DPZ-E 112 7  | <span style="color: gray;">■</span> 43780<br><span style="color: black;">■</span> 50780 | 7 × 7.5 - 12 mm / 0.295 - 0.472 "   | 10 |
|  | KEL-DPZ-E 112 21 | <span style="color: gray;">■</span> 43790<br><span style="color: black;">■</span> 50790 | 21 × 3.2 - 6.5 mm / 0.126 - 0.248 " | 10 |

\* Only valid for gray product types

## Product Description

KEL-DPZ-E is designed for routing cables without connectors in very small space.

The assembly of the KEL-DPZ-E with cables or pneumatic hoses can be done quick and easy. Simply make a small hole in the thin membrane, push the cables through. The KEL-DPZ-E provides strain relief and protection IP66 / UL type 12.

With an area of only 18 × 112 mm, up to 21 cables can be easily routed and sealed.

ST-B Plugs can be used for sealing pierced membranes if cables have been removed.

## Advantages & Benefits

- Space saving shape
- Dual sealing of cables acc. to IP66/UL type 12
- High cable density
- Fast and easy assembly
- Hygienic design

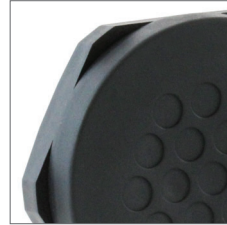
## Specifications

|                       |   |
|-----------------------|---|
| Material              | Frame: Polyamide (PA)<br>Sealing plate: Elastomer   |
| Color                 | <span style="color: gray;">■</span> gray (similar RAL 7035)<br><span style="color: black;">■</span> black |
| Flame class           | UL94-Vo   |
| IP rating             | IP66 (certified acc. to EN 60529)   |
| UL type rating        | UL type 12 (acc. to UL 50E)   |
| Operating temperature | - 40°C to + 90°C (static)<br>- 40°F to + 194°F (static)   |
| Properties            | Halogen-free, silicone-free   |
| Cut-out dimensions    | 18 × 112 mm / page 218 - 219  |
| Plate depth           | 14 mm / 0.551 "   |

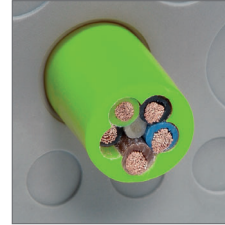
## Accessories

|                             |     |
|-----------------------------|-----|
| ST-B Plugs                  | 85  |
| KEL-EMC-PF Grounding mounts | 139 |

# KEL-DPZ round Cable Entry Plates



Also available in black.



Membrane on front



Conical shape on back provides additional sealing and strain relief

## Product Description

2.1

KEL-DPZ entry plates are designed to route and seal cables without connectors or fiber optics (from 1.5 mm to 22 mm in diameter) in limited space.

The assembly of the KEL-DPZ round with cables or pneumatic hoses can be done quick and easy. Simply make a small hole in the thin membrane, push the cables through. The KEL-DPZ round provides strain relief and protection IP66 / IP68 / UL type 4X.

The round versions of the KEL-DPZ series have a thread to fit in metric cut-outs from M25 to M63. Thus cut-outs for metric cable glands can be used.

ST-B Plugs can be used for sealing pierced membranes if cables have been removed.

| Type           | Order No. | Number of cables                     | Thread metric | External diameter | Mounting height | PU |
|----------------|-----------|--------------------------------------|---------------|-------------------|-----------------|----|
| KEL-DPZ 25 3   | ■ 43736   | 2× 3.2 - 5.2 mm                      | M25 × 1.5     | 39 mm             | 8 mm            | 10 |
|                | ■ 50736   | 1× 3.2 - 6.5 mm                      |               |                   |                 |    |
| KEL-DPZ 25 4   | ■ 43737   | 4× 3.2 - 5.2 mm                      | M25 × 1.5     | 39 mm             | 8 mm            | 10 |
|                | ■ 50737   |                                      |               |                   |                 |    |
| KEL-DPZ 32 4   | ■ 43732   | 3× 3.2 - 6.5 mm /<br>0.126 - 0.248 " | M32 × 1.5     | 44 mm<br>1.732 "  | 8 mm<br>0.315 " | 10 |
|                | ■ 50732   |                                      |               |                   |                 |    |
| KEL-DPZ 32 4-2 | ■ 43733   | 4× 5 - 9.5 mm /<br>0.197 - 0.374 "   | M32 × 1.5     | 44 mm<br>1.732 "  | 8 mm<br>0.315 " | 10 |
|                | ■ 50733   |                                      |               |                   |                 |    |
| KEL-DPZ 32 7   | ■ 43734   | 7× 3.2 - 6.5 mm /<br>0.126 - 0.248 " | M32 × 1.5     | 44 mm<br>1.732 "  | 8 mm<br>0.315 " | 10 |
|                | ■ 50734   |                                      |               |                   |                 |    |
| KEL-DPZ 40 8   | ■ 43741   | 4× 3.2 - 6.5 mm /<br>0.126 - 0.248 " | M40 × 1.5     | 52 mm<br>2.047 "  | 8 mm<br>0.315 " | 10 |
|                | ■ 50741   |                                      |               |                   |                 |    |
| KEL-DPZ 50 8   | ■ 43750   | 5× 5 - 10.2 mm /<br>0.197 - 0.402 "  | M50 × 1.5     | 62 mm<br>2.441 "  | 8 mm<br>0.315 " | 10 |
|                | ■ 50750   |                                      |               |                   |                 |    |
| KEL-DPZ 50 10  | ■ 43751   | 7× 3.2 - 6.5 mm /<br>0.126 - 0.248 " | M50 × 1.5     | 62 mm<br>2.441 "  | 8 mm<br>0.315 " | 10 |
|                | ■ 50751   |                                      |               |                   |                 |    |
| KEL-DPZ 50 12  | ■ 43752   | 4× 3.2 - 6.5 mm /<br>0.126 - 0.248 " | M50 × 1.5     | 62 mm<br>2.441 "  | 8 mm<br>0.315 " | 10 |
|                | ■ 50752   |                                      |               |                   |                 |    |

\* Only valid for gray product types



# KEL-DPZ round Cable Entry Plates



**IP66** **IP68**

| Type          | Order No.   | Number of cables  | Thread metric | External diameter | Mounting height | PU |
|---------------|---|---|---------------|-------------------|-----------------|----|
| KEL-DPZ 50 19 | <input type="checkbox"/> 43758<br><input checked="" type="checkbox"/> 50758 | 19× 3.2 - 6.5 mm /<br>0.126 - 0.248 "   | M50 × 1.5     | 62 mm<br>2.441 "  | 8 mm<br>0.315 " | 10 |
| KEL-DPZ 50 78 | <input type="checkbox"/> 43756<br><input checked="" type="checkbox"/> 50756 | 76× 1.5 - 2.6 mm<br>2× 2.5 - 5 mm   | M50 × 1.5     | 62 mm<br>2.441 "  | 8 mm<br>0.315 " | 10 |
| KEL-DPZ 63 9  | <input type="checkbox"/> 43760<br><input checked="" type="checkbox"/> 50760 | 1× 3.2 - 6.5 mm /<br>0.126 - 0.248 "<br>3× 5 - 10.2 mm /<br>0.197 - 0.402 "<br>4× 9 - 16.2 mm /<br>0.354 - 0.638 "<br>1× 16 - 22.2 mm /<br>0.63 - 0.866 " | M63 × 1.5     | 75 mm<br>2.953 "  | 8 mm<br>0.315 " | 10 |
| KEL-DPZ 63 13 | <input type="checkbox"/> 43761<br><input checked="" type="checkbox"/> 50761 | 4× 3.2 - 6.5 mm /<br>0.126 - 0.248 "<br>4× 5 - 10.2 mm /<br>0.197 - 0.402 "<br>5× 9 - 16.2 mm /<br>0.354 - 0.638 "  | M63 × 1.5     | 75 mm<br>2.953 "  | 8 mm<br>0.315 " | 10 |
| KEL-DPZ 63 14 | <input type="checkbox"/> 43762<br><input checked="" type="checkbox"/> 50762 | 14× 5 - 10.2 mm /<br>0.197 - 0.402 "  | M63 × 1.5     | 75 mm<br>2.953 "  | 8 mm<br>0.315 " | 10 |
| KEL-DPZ 63 35 | <input type="checkbox"/> 43763<br><input checked="" type="checkbox"/> 50763 | 35× 3.2 - 6.5 mm /<br>0.126 - 0.248 "   | M63 × 1.5     | 75 mm<br>2.953 "  | 8 mm<br>0.315 " | 10 |

\* Only valid for gray product types

## Advantages & Benefits

- Quick and easy tool-free assembly
- High cable density
- Automatic sealing and strain relief for the cable
- Suitable for metric cut-outs
- Polyamide locknuts are included in the shipment
- Dual sealing of cables acc. to IP66 / IP68 / up to UL type 4X
- Hygienic design - free of dirt-collecting recesses

2.1

## Specifications

|                       |   |
|-----------------------|---|
| Material              | Thread frame: Polyamide (PA)  |
| Color                 | Sealing plate: Elastomer<br><input type="checkbox"/> gray (similar RAL 7035)<br><input checked="" type="checkbox"/> black |
| Flame class           | UL94-Vo   |
| IP rating             | IP66/IP67/IP68 (certified acc. to EN 60529)   |
| UL type rating        | UL type 12 (acc. to UL 50E)<br>UL type 4X (acc. to UL 50E)  |
| Operating temperature | - 40°C to + 90°C (static)<br>- 40°F to + 194°F (static)   |
| Properties            | Halogen-free, silicone-free   |
| Cut-out dim.          | Metric sizes  |
| Thread length         | 14 mm / 0.551 "   |
| Plate depth           | 8 mm / 0.315 "  |

## Accessories

|                   |           |
|-------------------|-----------|
| ST-B Plugs        | 85        |
| FP Flanged plates | 178 - 183 |
| MP Module plates  | 174 - 175 |

# KEL-DPZ-KL

## Cable Entry Plates



**IP65**



Also available in black.



Membrane on front



Conical shape on back provides additional sealing and strain relief

## Product Description

The cable entry plate KEL-DPZ-KL is designed for routing up to 72 cables without connectors. The assembly of the KEL-DPZ-KL with cables or pneumatic hoses can be done quick and easy. Simply make a small hole in the thin membrane, push the cables through. The KEL-DPZ-KL provides strain relief and protection IP65 / UL type 12.

ST-B Plugs can be used for sealing pierced membranes if cables have been removed.

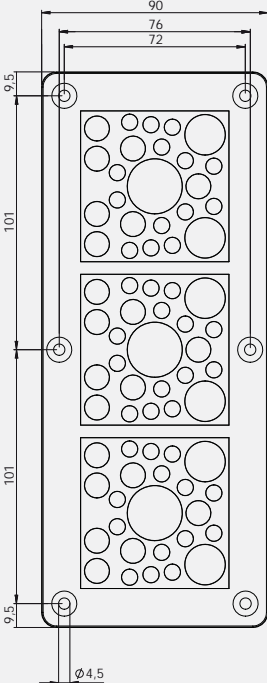
The KEL-DPZ-KL matches on junction boxes KL by Rittal.

## Advantages & Benefits

- Space saving shape
- Dual sealing of cables acc. to IP65/UL type 12
- High cable density
- Fast and easy assembly
- Hygienic design

## Specifications

|                       |  |
|-----------------------|--|
| Material              | Frame: Stainless steel V2A, molded with elastomer<br>Sealing plate: Elastomer<br>Screws: Stainless steel V2A |
| Color                 | <input type="checkbox"/> gray (similar RAL 7035)<br><input checked="" type="checkbox"/> black                |
| Flame class           | UL94-Vo  |
| IP rating             | IP65 (certified acc. to EN 60529)  |
| UL type rating        | UL type 12 (acc. to UL 50E)  |
| Operating temperature | - 40°C to + 90°C (static)<br>- 40°F to + 194°F (static)  |
| Properties            | Halogen-free, silicone-free  |
| Cut-out dimensions    | 192 × 62 mm / 7.56 × 2.441"  |
| Plate depth           | 4 mm / 0.157"  |

| Description  | Type          | Order No.                                     | Number of cables  | PU |
|--|---------------|---|---|----|
|  | KEL-DPZ-KL 72 | <input type="checkbox"/> 43675.001            | 42× 3.2 - 6.5 mm /<br>0.126 - 0.248 "<br>21× 5 - 10.2 mm /<br>0.197 - 0.402 "<br>6× 9 - 16.2 mm /<br>0.354 - 0.638 "<br>3× 16 - 22 mm /<br>0.63 - 0.866 " | 1  |
|  |               | <input checked="" type="checkbox"/> 43675.101 |   |    |

\* Only valid for gray product types

## Accessories

ST-B Plugs 85

# ST-B Plugs for Membranes



| Type                     | Order No. | Diameter D1   | Diameter D2      | Length L         | PU |
|--------------------------|-----------|---|------------------|------------------|----|
| ST-B 6                   | 42806     | 8 mm<br>0.315 "   | 6 mm<br>0.236 "  | 16 mm<br>0.63 "  | 25 |
| ST-B 10                  | 42810     | 12 mm<br>0.472 "  | 10 mm<br>0.394 " | 16 mm<br>0.63 "  | 25 |
| ST-B 12                  | 42812     | 15 mm<br>0.591 "  | 12 mm<br>0.472 " | 16 mm<br>0.63 "  | 25 |
| ST-B 16                  | 42816     | 19 mm<br>0.748 "  | 16 mm<br>0.63 "  | 16 mm<br>0.63 "  | 25 |
| ST-B 22                  | 42822     | 25 mm<br>0.984 "  | 22 mm<br>0.866 " | 21 mm<br>0.827 " | 25 |
| Assortment<br>ST-B Plugs | 42801     | 5× ST-B 6   5× ST-B 10   2× ST-B 12   1× ST-B 16   1× ST-B 22 |                  |                  |    |

## Product Description

Plugs ST-B are used to seal already pierced membranes in various cable entry plates (KEL-DPU / KEL-DPZ / KEL-DP / KEL-QTA-DP) and DT grommets.

Perfect for applications where cables have been removed.

The IP rating of the cable entry plate remains.

## Advantages & Benefits

- Sealing of pierced cable entry membranes which are no longer in use

## Specifications

|                       |  |
|-----------------------|--|
| Material              | Polyamide (PA), white                  |
| Flame class           | UL94-Vo                                |
| Operating temperature | - 40°C to + 120°C<br>- 40°F to + 248°F |
| Properties            | Halogen-free, silicone-free            |

## Compatible with

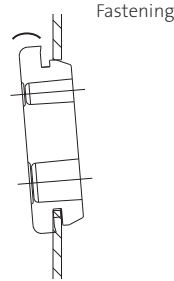
|                               |         |
|-------------------------------|---------|
| KEL-DPU Cable entry plates    | 76 - 77 |
| KEL-DPZ Cable entry plates    | 78 - 84 |
| KEL-DP Cable entry plates     | 86 - 89 |
| DT Cable entry grommets       | 52      |
| KEL-QTA-DP Cable entry plates | 64      |

# KEL-DP 24

## Cable Entry Plates



**IP64**



Also available in black.

### Product Description

KEL-DP entry plates are designed for routing cables without connectors. The KEL-DP products are a cost saving alternative to traditional cable glands. Ideal for high volume applications where conventional cable glands would normally be used. Simply make a small hole in the thin membrane and push the cables through. The KEL-DP 24 provides protection IP64 / UL Type 12.

A special rib ensures a centered fit in the cut-outs. ST-B Plugs can be used for sealing pierced membranes if cables have been removed.

### Advantages & Benefits

- Fast and easy assembly, no tools required
- Very good strain relief on the cable bundle
- High cable density
- Cost-effective
- Hygienic design – free of dirt-collecting recesses
- For wall thickness 1.5 - 4 mm / 0.039 - 0.157 "

### Specifications

|                       |   |
|-----------------------|---|
| Material              | Elastomer   |
| Color                 | <input type="checkbox"/> gray (similar RAL 7035)<br><input checked="" type="checkbox"/> black |
| Flame class           | UL94-Vo   |
| IP rating             | IP64 (certified acc. to EN 60529)   |
| UL type rating        | UL type 12 (acc. to UL 50E)   |
| Operating temperature | - 40°C to + 90°C (static)<br>- 40°F to + 194°F (static)                                       |
| Properties            | Halogen-free, silicone-free   |
| Cut-out dimensions    | 36 × 112 mm / 1.417 × 4.409 "   |
| Plate depth           | 5 mm / 0.197  |
| Type A:               | For wall thickness 1.5 - 2.5 mm   |
| Type B:               | For wall thickness 2.8 - 4 mm   |

### Accessories

|                   |           |
|-------------------|-----------|
| ST-B Plugs        | 85        |
| FP Flanged plates | 178 - 183 |

| Description | Type         | Order No. Type A  | Order No. Type B  | Number of cables  | PU |
|-------------|--------------|---|---|---|----|
|             | KEL-DP 24 12 | <input type="checkbox"/> 43508<br><input checked="" type="checkbox"/> 50508 | –   | 12× max. 15 mm / 0.591"   | 10 |
|             | KEL-DP 24 14 | <input type="checkbox"/> 43512<br><input checked="" type="checkbox"/> 50512 | <input type="checkbox"/> 43522<br><input checked="" type="checkbox"/> 50522 | 14× max. 12.1 mm / 0.476 "  | 10 |
|             | KEL-DP 24 17 | <input type="checkbox"/> 43514<br><input checked="" type="checkbox"/> 50514 | <input type="checkbox"/> 43523<br><input checked="" type="checkbox"/> 50523 | 5× max. 10.5 mm / 0.413 "<br>12× max. 12.6 mm / 0.496 "   | 10 |
|             | KEL-DP 24 18 | <input type="checkbox"/> 43515<br><input checked="" type="checkbox"/> 50515 | <input type="checkbox"/> 43528<br><input checked="" type="checkbox"/> 50528 | 4× max. 6.5 mm / 0.256 "<br>5× max. 10.5 mm / 0.413 "<br>5× max. 12.6 mm / 0.496 "<br>4× max. 16.1 mm / 0.634 " | 10 |
|             | KEL-DP 24 19 | <input type="checkbox"/> 43516<br><input checked="" type="checkbox"/> 50516 | <input type="checkbox"/> 43524<br><input checked="" type="checkbox"/> 50524 | 12× max. 6.5 mm / 0.256 "<br>7× max. 12.1 mm / 0.476 "  | 10 |
|             | KEL-DP 24 26 | <input type="checkbox"/> 43518<br><input checked="" type="checkbox"/> 50518 | <input type="checkbox"/> 43525<br><input checked="" type="checkbox"/> 50525 | 16× max. 6.5 mm / 0.256 "<br>4× max. 12.1 mm / 0.476 "<br>4× max. 16.1 mm / 0.634 "<br>2× ASI-cables            | 10 |
|             | KEL-DP 24 42 | <input type="checkbox"/> 43511<br><input checked="" type="checkbox"/> 50511 | <input type="checkbox"/> 43521<br><input checked="" type="checkbox"/> 50521 | 12× max. 7.2 mm / 0.283 "<br>17× max. 6.4 mm / 0.252 "<br>12× max. 5 mm / 0.197 "<br>1× max. 4.7 mm / 0.185 "   | 10 |
|             | KEL-DP 24 48 | <input type="checkbox"/> 43519<br><input checked="" type="checkbox"/> 50519 | <input type="checkbox"/> 43526<br><input checked="" type="checkbox"/> 50526 | 48× max. 6.5 mm / 0.256 "   | 10 |
|             | KEL-DP 24 50 | <input type="checkbox"/> 43520<br><input checked="" type="checkbox"/> 50520 | <input type="checkbox"/> 43527<br><input checked="" type="checkbox"/> 50527 | 33× max. 5.3 mm / 0.209 "<br>9× max. 6.4 mm / 0.252 "<br>8× max. 8.3 mm / 0.328 "                               | 10 |

\* Only valid for gray product types

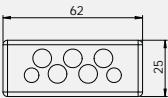
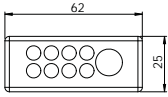
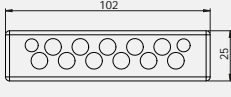
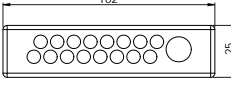
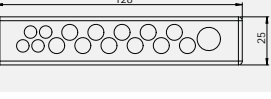
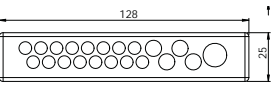
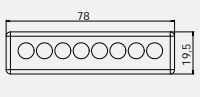
# KEL-DP-E

## Cable Entry Plates



Also available in black.



| Description   | Type            | Order No.   | Cut-out [mm]                                     | Number of cables   | PU |
|---|-----------------|---|--|--|----|
|    | KEL-DP-E 46 7   | <input type="checkbox"/> 43585<br><input checked="" type="checkbox"/> 50585 | 46 × 18 /<br>1.811 x<br>0.709 "                  | 5× max. 8.3 mm /<br>0.327"<br>2× max. 6.5 mm /<br>0.256 "                  | 10 |
|  | KEL-DP-E 46 9   | <input type="checkbox"/> 43587<br><input checked="" type="checkbox"/> 50587 | 46 × 18 /<br>1.811 x<br>0.709 "                  | 8× max. 6.5 mm /<br>0.256 "<br>1× max. 12.1 mm /<br>0.476 "                | 10 |
|  | KEL-DP-E 86 13  | <input type="checkbox"/> 43581<br><input checked="" type="checkbox"/> 50581 | 85 × 18 /<br>3.346 x<br>0.709 "                  | 11× max. 8.3 mm /<br>0.327"<br>2× max. 6.5 mm /<br>0.256 "                 | 10 |
|  | KEL-DP-E 86 17  | <input type="checkbox"/> 43583<br><input checked="" type="checkbox"/> 50583 | 85 × 18 /<br>3.346 x<br>0.709 "                  | 16× max. 6.5 mm /<br>0.256 "<br>1× max. 12.1 mm /<br>0.476 "               | 10 |
|  | KEL-DP-E 112 16 | <input type="checkbox"/> 43576<br><input checked="" type="checkbox"/> 50576 | 112 × 18 /<br>4.409 x<br>0.709 "                 | 4× max. 6.5 mm / 0.256 "<br>11× max. 8.3 mm / 0.327"<br>1× max. 12.1 mm    | 10 |
|  | KEL-DP-E 112 21 | <input type="checkbox"/> 43578<br><input checked="" type="checkbox"/> 50578 | 112 × 18 /<br>4.409 x<br>0.709 "                 | 16× max. 6.5 mm /<br>0.256 "<br>4× max. 8.3 mm / 0.327"<br>1× max. 12.1 mm | 10 |
|  | KEL-DP-S 69 8   | <input type="checkbox"/> 43591<br><input checked="" type="checkbox"/> 50591 | 69 × 10 /<br>2.717 x<br>0.394 "<br>Edge radii R2 | 8× max. 7.5 mm /<br>0.295 "  | 10 |

\* Only valid for gray product types

## Product Description

KEL-DP-E entry plates are designed for routing cables without connectors. The KEL-DP products are a cost saving alternative to traditional cable glands. Ideal for high volume applications where conventional cable glands would normally be used. Simply make a small hole in the thin membrane and push the cables through. The KEL-DP-E provides protection IP64 / UL Type 12.

ST-B Plugs can be used for sealing pierced membranes if cables have been removed.

A special rib ensures a centered fit in the cut-outs.

## Advantages & Benefits

- Fast and easy assembly, no tools required
- High cable density
- Very good strain relief on the cable bundle
- Cost-effective
- Hygienic design – free of dirt-collecting recesses
- For wall thickness 1.5 - 2.5 mm / 0.059 - 0.098 "

## Specifications

|                       |   |
|-----------------------|---|
| Material              | Elastomer   |
| Color                 | <input type="checkbox"/> gray (similar RAL 7035)<br><input checked="" type="checkbox"/> black |
| Flame class           | UL94-Vo   |
| IP rating             | IP64 (certified acc. to EN 60529)   |
| UL type rating        | UL type 12 (acc. to UL 50E)   |
| Operating temperature | - 40°C to + 90°C (static)<br>- 40°F to + 194°F (static)                                       |
| Properties            | Halogen-free, silicone-free   |
| Plate depth           | 5 mm / 0.197 "  |

## Accessories

ST-B Plugs 85



# KEL-DP round Cable Entry Plates



Also available in black.



Membrane on front



Special fixing ribs ensure a centered fit.

## Product Description

2.1

KEL-DP entry plates are designed for routing cables without connectors.

The KEL-DP products are a cost saving alternative to traditional cable glands. Ideal for high volume applications where conventional cable glands would normally be used. Simply make a small hole in the thin membrane and push the cables through. The KEL-DP round provides protection IP65 / UL Type 12.

ST-B Plugs can be used for sealing pierced membranes if cables have been removed.

A special rib ensures a centered fit in the cut-outs.

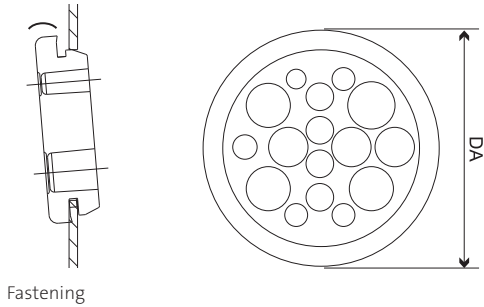
## Advantages & Benefits

- Fast and easy assembly, no tools required
- High cable density
- Very good strain relief on the cable bundle
- Cost-effective
- For wall thickness 1.5 - 4 mm / 0.039 - 0.157 "
- Hygienic design - free of dirt-collecting recesses

| Type         | Order No. Type A   | Order No. Type B   | Number of cables   | Cut-out         | External diameter DA | PU |
|--------------|--------------------|--------------------|--|-----------------|----------------------|----|
| KEL-DP 25 4  | ■ 43533<br>■ 50533 | -                  | 4× max. 8 mm / 0.315 "   | ∅ 25 mm 0.984 " | 32 mm 1.26 "         | 10 |
| KEL-DP 25 6  | ■ 43531<br>■ 50531 | -                  | 4× max. 5.2 mm / 0.205 "<br>2× max. 9.4 mm / 0.37 "  | ∅ 25 mm 0.984 " | 32 mm 1.26 "         | 10 |
| KEL-DP 32 10 | ■ 43532<br>■ 50532 | ■ 43560<br>■ 50560 | 6× max. 5.2 mm / 0.205 "<br>2× max. 6.4 mm / 0.252 "<br>2× max. 9.4 mm / 0.37 "                                | ∅ 32 mm 1.26 "  | 38 mm 1.496 "        | 10 |
| KEL-DP 40 9  | ■ 43536            | ■ 43561            | 8× max. 9.5 mm / 0.374 "<br>1× max. 11.3 mm / 0.445 "  | ∅ 40 mm 1.575 " | 50 mm 1.969 "        | 10 |
| KEL-DP 40 16 | ■ 43537            | ■ 43563            | 2× max. 5.3 mm / 0.201 "<br>10× max. 6.3 mm / 0.248 "<br>2× max. 9.5 mm / 0.374 "<br>2× max. 11.3 mm / 0.445 " | ∅ 40 mm 1.575 " | 50 mm 1.969 "        | 10 |
| KEL-DP 40 17 | ■ 43538            | ■ 43565            | 1× max. 4 mm / 0.157 "<br>16× max. 7.2 mm / 0.283 "  | ∅ 40 mm 1.575 " | 50 mm 1.969 "        | 10 |

\* Only valid for gray product types

# KEL-DP round Cable Entry Plates



**IP65**

| Type         | Order No. Type A | Order No. Type B | Number of cables   | Cut-out           | External diameter DA | PU |
|--------------|------------------|------------------|--|-------------------|----------------------|----|
| KEL-DP 50 9  | 43554            | 43568            | 5× max. 7 mm / 0.276"  | ø 50 mm<br>1.969" | 60 mm<br>2.362"      | 10 |
|              | 50554            | 50568            | 4× max. 18 mm / 0.709"   |                   |                      |    |
| KEL-DP 50 11 | 43555            | 43569            | 7× max. 7.2 mm / 0.283"  | ø 50 mm<br>1.969" | 60 mm<br>2.362"      | 10 |
|              | 50555            | 50569            | 3× max. 11.2 mm / 0.441"<br>1× max. 22.5 mm / 0.886"   |                   |                      |    |
| KEL-DP 50 12 | 43551            | 43562            | 10× max. 9.2 mm / 0.362"   | ø 50 mm<br>1.969" | 60 mm<br>2.362"      | 10 |
|              | 50551            | 50562            | 2× max. 11.2 mm / 0.439"   |                   |                      |    |
| KEL-DP 50 16 | 43550            | 43564            | 4× max. 5.3 mm / 0.201"  | ø 50 mm<br>1.969" | 60 mm<br>2.362"      | 10 |
|              | 50550            | 50564            | 5× max. 6.3 mm / 0.248"<br>3× max. 9.5 mm / 0.374"<br>4× max. 11.3 mm / 0.445"                       |                   |                      |    |
| KEL-DP 50 18 | 43553            | 43567            | 2× max. 4 mm / 0.157"  | ø 50 mm<br>1.969" | 60 mm<br>2.362"      | 10 |
|              | 50553            | 50567            | 2× max. 6 mm / 0.236"<br>4× max. 7.2 mm / 0.283"<br>5× max. 9.4 mm / 0.37"<br>5× max. 12 mm / 0.472" |                   |                      |    |
| KEL-DP 50 20 | 43552            | 43566            | 16× max. 6.3 mm / 0.248"   | ø 50 mm<br>1.969" | 60 mm<br>2.362"      | 10 |
|              | 50552            | 50566            | 4× max. 9.3 mm / 0.366"  |                   |                      |    |
| KEL-DP 50 35 | 43556            | 43570            | 35× max. 5.2 mm / 0.205"   | ø 50 mm<br>1.969" | 60 mm<br>2.362"      | 10 |
|              | 50556            | 50570            |  |                   |                      |    |

## Specifications

|                       |  |
|-----------------------|--|
| Material              | Elastomer  |
| Color                 | <input type="checkbox"/> gray (similar RAL 7035)<br><input type="checkbox"/> black |
| Flame class           | UL94-Vo  |
| IP rating             | IP65 (certified acc. to EN 60529)  |
| UL type rating        | UL type 12 (acc. to UL 50E)  |
| Operating temperature | - 40°C to + 90°C (static)<br>- 40°F to + 194°F (static)                            |
| Properties            | Halogen-free, silicone-free  |
| Cut-out dimensions    | Metric sizes   |
| Plate depth           | 5 mm / 0.197"  |
| Type A:               | For wall thickness 1.5 - 2.5 mm  |
| Type B:               | For wall thickness 2.8 - 4 mm  |

## Accessories

|                  |           |
|------------------|-----------|
| ST-B Plugs       | 85        |
| FP Flange plates | 178 - 183 |

\* Only valid for gray product types