
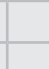
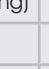
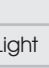



Overview Beacons & Traffic Lights

WERMA's beacons and traffic lights help you indicate risks and imminent danger promptly and clearly. The urgency of the required action can be indicated by the colour of the light and by the type and duration of the signal.

This allows you to make your processes safe and efficient. Simply safe. Simply better. This is what we call intelligent signal technology.



Overview Signal Beacons & Traffic Lights						
		Installation	Installation	Installation/ Surface mounting	Surface mounting	Surface mounting
Product range		Micro Installati- on Beacons	Mini Installation Beacons	EvoSIGNAL Mini	EvoSIGNAL Midi	EvoSIGNAL Maxi
Dimensions (Ø x Height)*		See comparison of sizes table on page 82				
Voltage	12 V	●		●	●	●
	24 V	●	●	●	●	●
	48 V					
	115 V	●		●	●	●
	230 V	●		●	●	●
Optical	LED Permanent Light	●				
	LED Permanent Light (multicolour)		●	TriCOLOUR	TriCOLOUR	
	TwinLIGHT (Permanent/Blinking)			●	●	●
	TwinFLASH (Flash/EVS)			●	●	●
	LED Flashing Light					
	LED EVS Light					
	Permanent Light					
	Xenon Flashing Light	●				
	LED Rotating				●	●
	Rotating Mirror/Rotating Light				●	●
Protection		IP65	IP65	IP66	IP66	IP66
Signalisation index**		2-4	3	4-5	6-8	8-10
Page		Page 84	Page 88	Page 93	Page 107	Page 113

* Technical diagrams can be found on the product page

** Signalisation index – see page 13 + 21

Installation beacons

Installation beacons are used for installing in M20/M22 drilled holes. The beacon is fixed from the back, in control panels for example, using a locking nut. This prevents subsequent tampering.

Surface mounted beacons

Surface mounted beacons are fixed directly onto the surface of the relevant object (machines). The basic mounting options are base, bracket or tube installation.

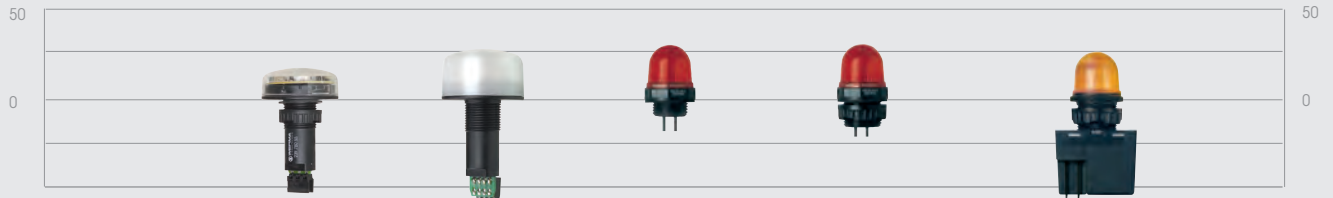
					
Surface mounting	Surface mounting	Surface mounting	Surface mounting	Surface mounting	Surface mounting
FlexSQUARE	Heavy Duty Beacons	Obstruction Light	Traffic Lights	Monitorable Beacon	Ex Signal Beacons
See comparison of sizes table on page 82					
●	●	●	●		
●	●	●	●	●	●
●		●			
●	●		●		●
●	●	●	●		●
●	●	●	●	●	●
●			●		
●					●
●					●
			●	●	
	●		●		●
	●				●
	●				●
IP67	IP67	IP65 / IP66/68	IP65/IP69k	IP65	IP66
5-8	6-9	Legal requirement	4-9	4-5	4-9
Page 121	Page 127	Page 132	Page 135	Page 146	Page 150





Sizes

COMPARISON OF WERMA BEACONS AND TRAFFIC LIGHTS



Series	239	239	230	231	232
Thread	M22	M22	M20	M22	M22
Ø	50 mm	50 mm	29 mm	29 mm	29 mm
Height (Protrusion from panel)	22 mm	31 mm	32 mm	32 mm	32 mm



Series	EvoSIGNAL Mini	EvoSIGNAL Midi	EvoSIGNAL Maxi
Ø	62 mm	85 mm	120 mm
Height	85 mm	130 mm	173 mm



Series	853
Ø	85 mm
Height	85 mm

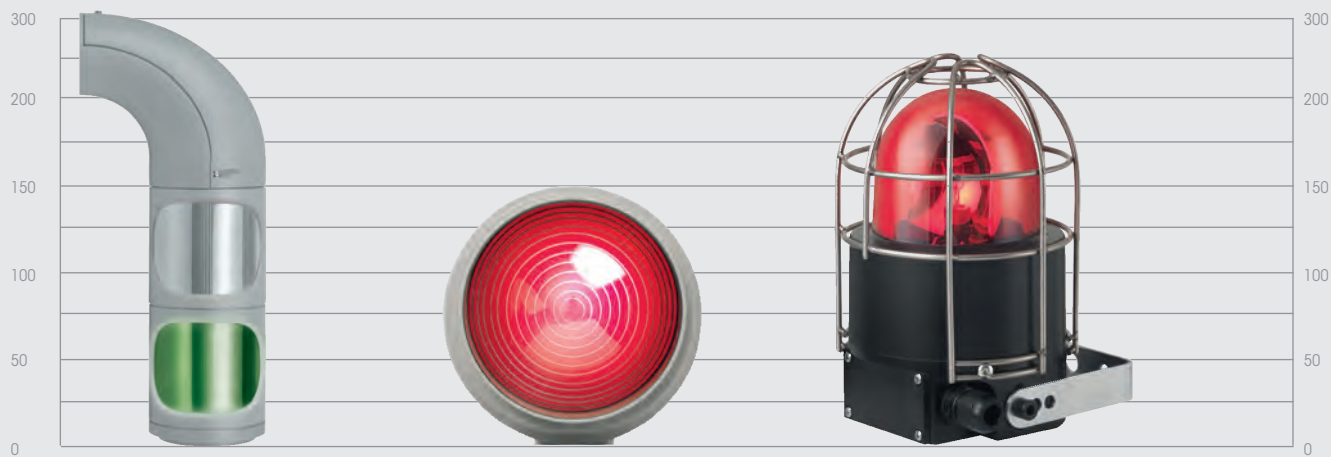


Series
Ø
Height

839
153 mm
189 mm

883
142 mm
218 mm

884
142 mm
218 mm



Series
Ø
Height

894
98 mm
137 mm

890
98 mm
151 mm

728/729
139 mm
214 mm

Micro Installation Beacons - 230/231/232

Your benefits

Despite their size, micro installation beacons from the 230 / 231 / 232 range will provide good all-round visibility. The range includes control panel indicator lights.

- The industry standard for control panels
- Easy to install, even where space is restricted

Typical applications

Signalling faults and statuses

- On small machines and equipment
- In building technology

Installation options

- M22 single-hole mounting including nut
- M20 for direct installation, in safety switches, for example

Features

- Available with a permanent light
- Powerful xenon flash light for increased visibility



Size comparison
Micro/Mini/EvoSIGNAL Mini



Signalisation index

Optical		
LED Permanent Light		2
Xenon Flashing Light		4

230 LED Installation Beacon



Mainly sideways illumination

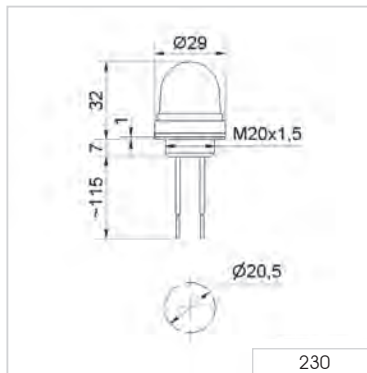


The LED Installation Beacon 230 can for example be used in applications with cable-operated switches or limit switch devices

① TECHNICAL SPECIFICATIONS/ORDER SPECIFICATIONS:

Dimensions (Ø x Height):	29 mm x 32 mm (Protrusion from panel)			
Housing:	PC/ABS-Blend			
Lens:	PC, transparent			
Connection:	2 wires, c. 115 mm long			
Fixing:	Installation mounting for Ø 20.5 mm (M20 x 1.5 mm)			
Life duration:	Up to 100,000 hrs			
Seal included in assembly.				
Voltage:	12 V DC	24 V DC	115 V AC	230 V AC
Current consumption:	80 mA	45 mA	15 mA	20 mA
red	230 100 54	230 100 55	230 100 67	230 100 68
yellow	230 300 54	230 300 55	230 300 67	230 300 68
clear	-	230 400 55	-	-
Further colours on request.				

← TECHNICAL DIAGRAM:



Signalisation index	
LED Permanent Light	2



24 V



231 LED Installation Beacon

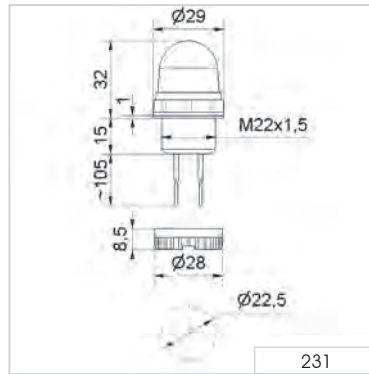


Mainly sideways illumination

① TECHNICAL SPECIFICATIONS/ORDER SPECIFICATIONS:

Dimensions (Ø x Height):	29 mm x 32 mm (Protrusion from panel)			
Housing:	PC/ABS-Blend			
Lens:	PC, transparent			
Connection:	2 wires, c. 105 mm long			
Fixing:	Installation mounting for Ø 22.5 mm (M22 x 1.5 mm)			
Life duration:	Up to 100,000 hrs			
Nut and seal included in assembly.				
Voltage:	12 V DC	24 V DC	115 V AC	230 V AC
Current consumption:	80 mA	45 mA	15 mA	20 mA
red	231 100 54	231 100 55	231 100 67	231 100 68
green	231 200 54	231 200 55	231 200 67	231 200 68
yellow	231 300 54	231 300 55	231 300 67	231 300 68
clear	231 400 54	231 400 55	231 400 67	231 400 68
blue	231 500 54	231 500 55	231 500 67	231 500 68

↔ TECHNICAL DIAGRAM:



Signalisation index	
LED Permanent Light	2



24 V

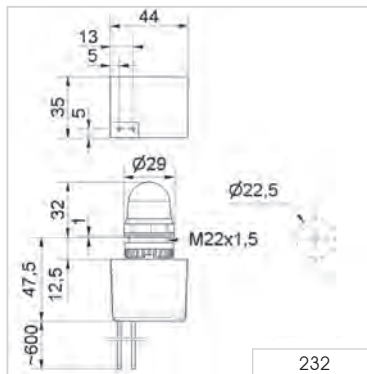
232 Installation Xenon Flashing Beacon



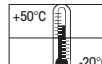
① TECHNICAL SPECIFICATIONS/ORDER SPECIFICATIONS:

Dimensions (Ø x Height):	29 mm x 32 mm (Protrusion from panel)	
Housing:	PC/ABS-Blend	
Lens:	PC, transparent	
Connection:	2 wires, c. 600 mm long	
Fixing:	Installation mounting for Ø 22.5 mm (M22 x 1.5 mm) with anti-twist device	
Flash frequency:	1.5 Hz	
Flash energy:	1 Ws	
Life duration:	4 x 10 ⁶ flashes	
Nut and seal included in assembly.		
Voltage:	24 V DC	230 V AC
Current consumption:	140 mA	20 mA
red	232 100 55	232 100 68
yellow	232 300 55	232 300 68

↳ TECHNICAL DIAGRAM:



Signalisation index	
Xenon Flashing Light	4



24 V



Mini Installation Beacons - 239/240

Your benefits

WERMA's mini installation beacons are perfect for use on machinery, and control panels. The colours can be set quite simply by means of binary inputs.

- Up to five different colours with just one light
- Low lens, where space is restricted
- Raised lens for best visibility also from the side

Typical applications

Signalling faults and statuses

- On control consoles of machinery
- In machine housings
- On control panels

Installation options

- M22 single-hole mounting (239)
- M30 single-hole mounting (240)

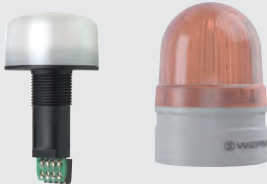
Features

- Bit-encoded actuation allows the three basic colours green, yellow and red to be displayed using just two PLC outputs. With a third output, white and blue can also be activated.
- With Spec. V 3.0, the special AS interface version is suitable for addressing (A/B mode) up to 62 modules – without an external power supply (239)





Size comparison

Mini 239/EvoSIGNAL Mini



Signalisation index

Optical		
LED Permanent Light (multicolour) 239		3
LED Permanent Light (multicolour) 240		4

239 LED Installation Beacon (Multicolour)



LED Installation Beacon (Multicolour)



LED Installation Beacon (Multicolour) with raised lens



Five colours in one beacon: red, yellow, green, white and blue

① TECHNICAL SPECIFICATIONS/ORDER SPECIFICATIONS:

Dimensions (Ø x Height):	50 mm x 22 mm (Protrusion from panel) 50 mm x 32 mm (Protrusion from panel)
Housing:	PC/ABS-Blend, black
Lens:	PC, transparent
Fixing:	Installation mounting for Ø 22.5 mm (M22 x 1.5 mm)
Connection:	Screw terminal max. 0.5 mm ² (239 480 55) Push In max. 1.5 mm ² (239 482 55)
Colour options:	Red, yellow, green, white, blue (multicolour)
Life duration:	Up to 50,000 hrs
Nut and seal included in assembly.	
Voltage:	24 V DC
Current consumption:	Max. 75 mA
Low lens, clear	239 480 55
Raised lens, opaque	239 482 55

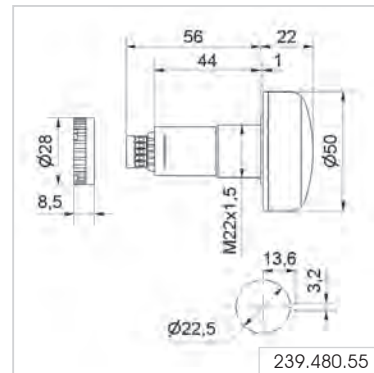
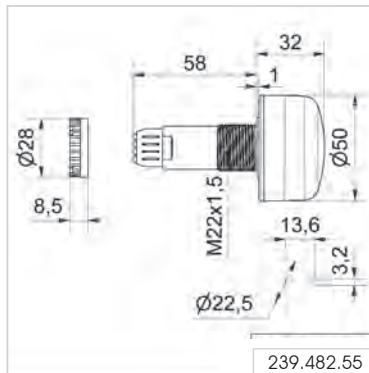
! ADDITIONAL INFORMATION:

The LED beacon 239 is suitable for applications on machines or in control panels.

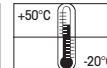
The LED installation beacon (multicolour) can be single-hole mounted with ease thanks to its M22 installation dimensions.

X1	X2	X3	X4	X5	Colour
			nc	COM	OFF
		24V DC	nc	COM	RD
	24V DC		nc	COM	GN
	24V DC	24V DC	nc	COM	YE
24V DC			nc	COM	BU
24V DC	24V DC	24V DC	nc	COM	WH

↔ TECHNICAL DIAGRAM:



Signalisation index	
LED Permanent Light (multicolour)	3



239 LED Installation Beacon (Multicolour) for AS-Interface

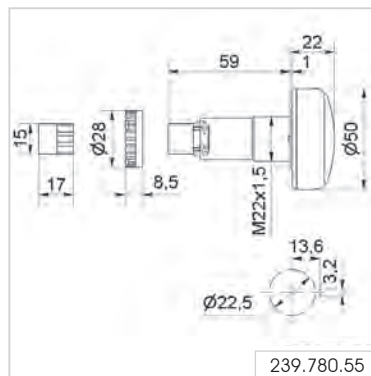


Five colours in one beacon:
red, yellow, green, white and blue

① TECHNICAL SPECIFICATIONS/ORDER SPECIFICATIONS:

Dimensions (Ø x Height):	50 mm x 22 mm (Protrusion from panel)
Housing:	PC/ABS-Blend, black
Lens:	PC, transparent
Fixing:	Installation mounting for Ø 22.5 mm (M22 x 1.5 mm) with anti-twist device
Connection:	Screw terminal with wire protection max. 1.5 mm ²
Power supply AS-Interface:	Via bus conduction
Operating voltage:	25 V ... 31.6 V according to the AS-Interface specification
Current consumption:	≤ 100 mA
Specification:	V 3.0
IO-Code:	8 _{HEX}
ID-Code:	A _{HEX}
ID2-Code:	E _{HEX}
Colour options:	Red, yellow, green, white, blue
Life duration:	Up to 50,000 hrs
Nut and seal included in assembly.	
LED Installation Beacon (multicolour) for AS-Interface	239 780 55

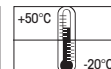
↔ TECHNICAL DIAGRAM:



Signalisation index	
LED Permanent Light (multicolour)	3



Approval No. 2001



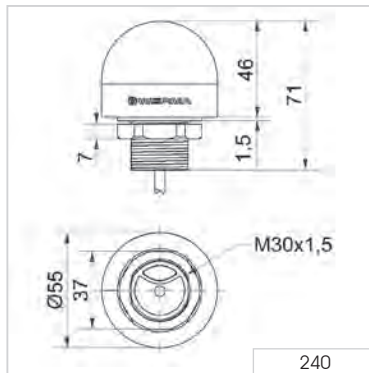
240 LED Installation Beacon (Multicolour)



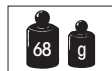
TECHNICAL SPECIFICATIONS/ORDER SPECIFICATIONS:

Dimensions (Ø x Height):	55 mm x 46 mm (Protrusion from panel)			
Housing:	PC/ABS-Blend, black			
Lens:	PC, transparent			
Fixing:	Installation mounting M30			
Colour options:	Red, yellow, green, white, blue, violet, turquoise (Multicolour) Rot, yellow, green (Tricolour)			
Life duration:	Up to 50,000 hrs			
Without Buzzer	Voltage	Current consumption	Plug M12	Cable
Tricolour (RGY)	24 V DC	45 mA	240 220 55	240 210 55
Multicolour (RGB)	10-30 V DC	60 mA	240 120 50	240 110 50

TECHNICAL DIAGRAM:



240.220.55



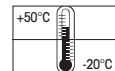
240.120.50



240.210.55



240.110.50



Evo*SIGNAL* - LED Signal Beacon Mini, Midi, Maxi

Your benefits

The type of optical signals used depends on the application and the surroundings. With Evo*SIGNAL*, finding the right signal device has never been so easy: Almost all areas of application are optimally covered by only three sizes (signal lamps) with specific mounting adapters. The new modular, simple and clear standard solution. Evo*SIGNAL* is one of a kind.

- Simple and easy to use: Number of different articles reduced to 20% whilst retaining a full range
- Twin functions: Twin*LIGHT* and Twin*FLASH* unite two light pattern functions in one element. They can be remote-controlled via connection terminals and also used as escalation levels
- Poka Yoke: Simple and intuitive installation - incorrect installation is impossible
- Mini and Midi also available as Tri*COLOUR* variants
- Maxi Twin*FLASH* can be used as an attention-grabbing alternative to xenon strobes and rotating mirror beacons

Typical applications

Signal faults and statuses on machines and equipment, in building services engineering and in door and gate applications. All products are ideal for demanding indoor and outdoor applications.

- Mini – on installations with limited space
- Midi – signalling over medium distances (10–30 m)
- Maxi – signalling over long distances (> 20 m)

Installation options

- Base mounting
- M22/PG29 single-hole mounting
- Tube mounting
- Bracket mounting

Features

- Push-in connection terminals: Simple and permanently secure connection
- Fully compatible: Easy replacement of previous products
- Best-in-class equipment: Powerful, extremely robust (IP66), tamper-proof

Signalisation index	
Mini Twin <i>LIGHT</i>	4
Mini Twin <i>FLASH</i>	5
Midi Twin <i>LIGHT</i>	6
Midi Twin <i>FLASH</i>	8
Midi Rotation	7
Maxi Twin <i>LIGHT</i>	8
Maxi Twin <i>FLASH</i>	10
Maxi Rotation	9



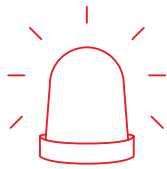
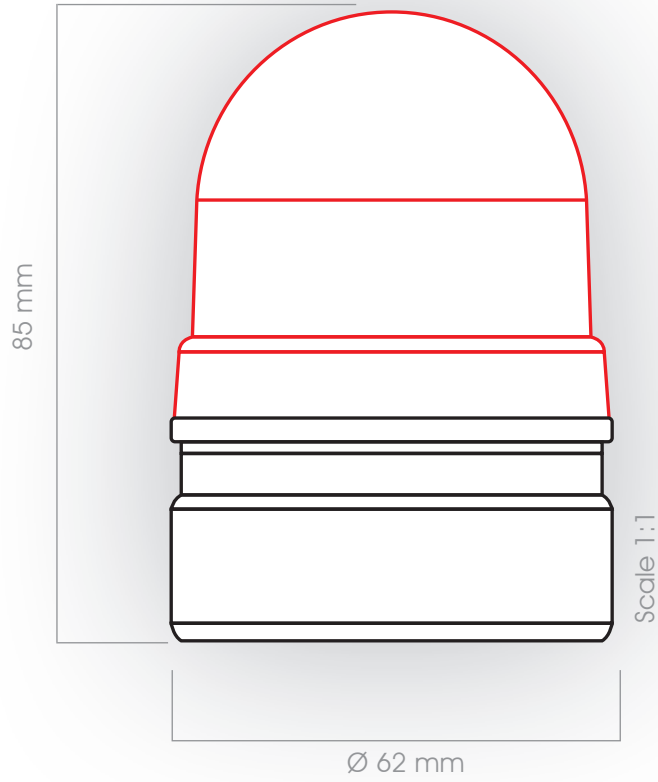
Mini

Midi

Maxi



Evo*SIGNAL* Mini - LED Signal Beacon



31
Twin*LIGHT*, Twin*FLASH*,
Tri*COLOUR*



6
Mounting adapter



EvoSIGNAL Mini - LED Signal Beacon

OLD

LED Permanent Beacon	Permanent Beacon	Xenon
201/204	200/203	202/205
211/214	210/213	212/215
221/224	220/223	222/225
209	209	209
219	219	219
207 (M22)	206	208 (M22)
	216	



NEW



Quick Finder EvoSIGNAL Mini - LED Signal Beacon



12 V AC/DC	
TwinLIGHT	TwinFLASH
Order no.	Order no.
260 110 74	260 120 74
260 210 74	260 220 74
260 310 74	260 320 74
260 410 74	260 420 74
260 510 74	260 520 74

24 V AC/DC	
TwinLIGHT	TwinFLASH
Order no.	Order no.
260 110 75	260 120 75
260 210 75	260 220 75
260 310 75	260 320 75
260 410 75	260 420 75
260 510 75	260 520 75

115-230 V AC	
TwinLIGHT	TwinFLASH
Order no.	Order no.
260 110 60	260 120 60
260 210 60	260 220 60
260 310 60	260 320 60
260 410 60	260 420 60
260 510 60	260 520 60



TriCOLOUR
260 430 75



+ Mounting adapter (compulsory!)

Base mounting



Order no.
260 700 01

Installation mounting M22



Order no.
260 700 03

Installation mounting PG 29



Order no.
260 700 04

Tube mounting



Order no.
260 700 05

Bracket mounting with cable gland

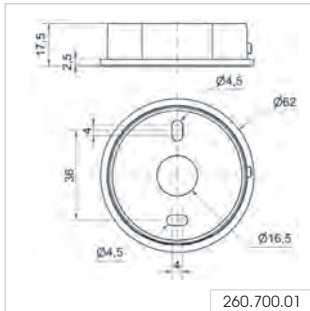


Order no.
260 700 06

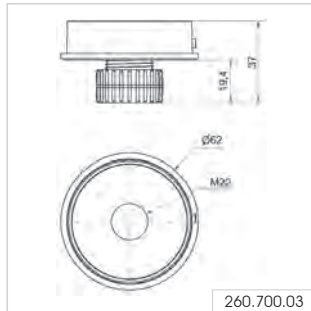
Bracket mounting



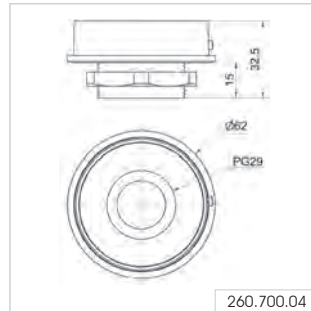
Order no.
260 700 07



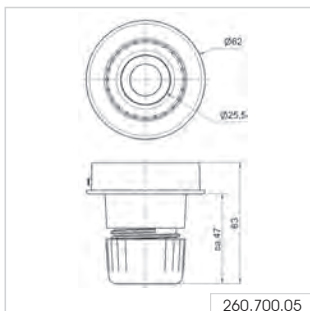
260.700.01



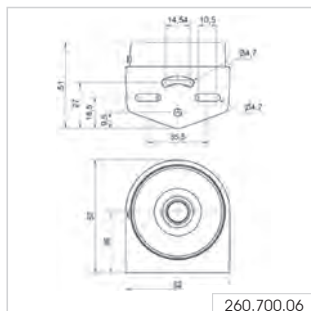
260.700.03



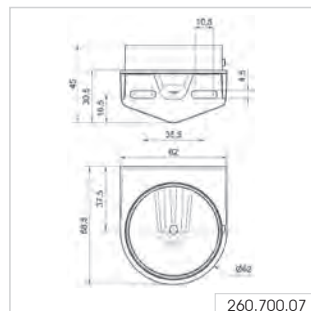
260.700.04



260.700.05



260.700.06



260.700.07





Tube mounting



Bracket mounting with cable gland

EvoSIGNAL Mini - LED Signal Beacon

① TECHNICAL SPECIFICATIONS/ORDER SPECIFICATIONS:

Dimensions (Ø x Height):	62 mm x 85 mm		
Housing:	PC-ABS, grey, high impact		
Lens:	PC, transparent		
Fixing:	Base/Installation7Tube/Wall mounting		
Cable entry:	Cable diameter 8-12 mm		
Connection:	Push-In terminal max.1.5 mm ²		
Flash/Blink frequency:	1 Hz		

TwinLIGHT (Permanent/Blinking)

Voltage:	12 V AC/DC	24 V AC/DC	115-230 V AC
Current consumption:	≤ 90 mA	≤ 75 mA	≤ 45 mA
red	260 110 74	260 110 75	260 110 60
green	260 210 74	260 210 75	260 210 60
yellow	260 310 74	260 310 75	260 310 60
white	260 410 74	260 410 75	260 410 60
blue	260 510 74	260 510 75	260 510 60

TwinFLASH (Flash/EVS)

Voltage:	12 V AC/DC	24 V AC/DC	115-230 V AC
Current consumption:	≤ 70 mA	≤ 75 mA	≤ 45 mA
red	260 120 74	260 120 75	260 120 60
green	260 220 74	260 220 75	260 220 60
yellow	260 320 74	260 320 75	260 320 60
white	260 420 74	260 420 75	260 420 60
blue	260 520 74	260 520 75	260 520 60

TriCOLOUR

Voltage:		24 V AC/DC	
Current consumption:		≤ 90 mA	
Order no.		260 430 75	

✳ ACCESSORIES:

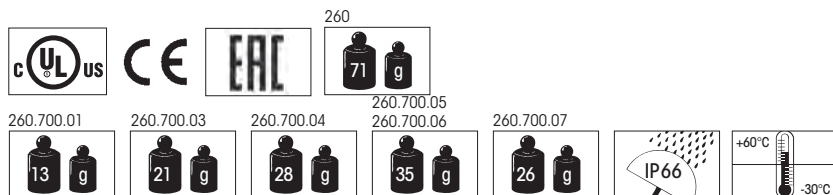
Base mounting	260 700 01
Installation mounting M22	260 700 03
Installation mounting PG 29	260 700 04
Tube mounting	260 700 05
Bracket mounting with cable gland	260 700 06
Bracket mounting	260 700 07

↔ TECHNICAL DIAGRAM:



Signalisation index

TwinLIGHT	4
TwinFLASH	5



Mini Beacons - 800/801/802/815/816/817 families

Your benefits

The Mini Signal Beacons are used wherever space is restricted.

The beacons are easy to install and connect, even in tight spaces, thanks to convenient connection terminals and easily accessible mounting holes.

- Reliable signalling at close quarters
- Available as a permanent light or as a bright Xenon flash light to attract attention
- Robust and tamper-proof

Typical applications

Signalling of faults

- On small machines and equipment
- In building technology

Installation options

- Base mounting
- M22/PG29 single-hole mounting
- Bracket mounting
- Tube mounting

Features

- High protection rating IP65 for both indoor and outdoor use

The 815 / 816 / 817 family:

- Robust and shock-resistant up to 20 joules



Size comparison Mini 239/Mini



Signalisation index

Optical		
LED Permanent Light 8xx		3
LED Blinking Light 8xx		3
Permanent Light 8xx		2
Xenon Flashing Light 8xx		4

801 LED Installation Permanent Beacon - PG29 (Ø 37 mm)



Tube adaptor as accessory



Accessories

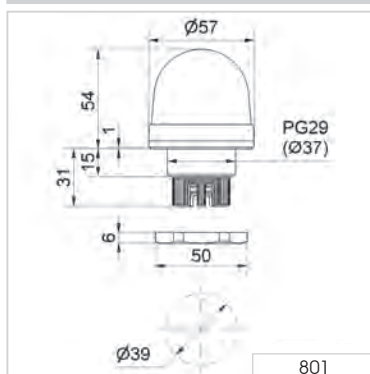
① TECHNICAL SPECIFICATIONS/ORDER SPECIFICATIONS:

Dimensions (Ø x Height):	57 mm x 54 mm (Protrusion from panel)		
Housing:	PC/ABS-Blend Socket: PA-GF, high impact		
Lens:	PC, transparent		
Fixing:	Installation mounting for Ø 37 mm (PG29)		
Connection:	Screw terminal 0.5 - 1.5 mm ²		
Life duration:	Up to 100,000 hrs		
Voltage:	24 V AC/DC	115 V AC	230 V AC
Current consumption:	45 mA	25 mA	25 mA
red	801 100 75	801 100 67	801 100 68
green	801 200 75	801 200 67	801 200 68
yellow	801 300 75	801 300 67	801 300 68
Further colours and voltages on request.			

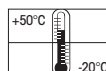
✂ ACCESSORIES:

Tube adaptor	975 812 01
Base with integrated tube, Ø 25 mm, 110 mm long, plastic	975 840 10
Base for tube mounting	975 840 90
Base for base mounting	975 812 02
Tube Ø 25 mm, all anodised aluminium	
100 mm long	975 845 10
250 mm long	975 840 25
400 mm long	975 840 40
Anti-twist device	975 815 22
Surface housing IP 65	
for 1 Installation Beacon	975 815 03
for 2 Installation Beacons	975 815 07
for 3 Installation Beacons	975 815 08
for 4 Installation Beacons	975 109 05

← TECHNICAL DIAGRAM:



Signalisation index	
LED Permanent Light	3



24 V



816 LED Installation Permanent Beacon - PG29 (Ø 37 mm)



Tube adaptor as accessory



Surface housing as accessory

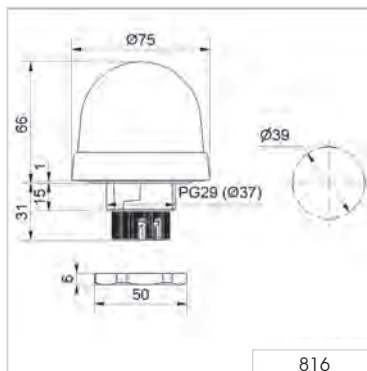
① TECHNICAL SPECIFICATIONS/ORDER SPECIFICATIONS:

Dimensions (Ø x Height):	75 mm x 66 mm (Protrusion from panel)		
Housing:	PC/ABS-Blend Socket: PA-GF, high impact		
Lens:	PC, transparent Shock resistance 20 Joules according to EN 60079-0		
Fixing:	Installation mounting for Ø 37 mm (PG29)		
Connection:	Screw terminal 0.5 - 1.5 mm ²		
Life duration:	Up to 100,000 hrs		
Voltage:	24 V AC/DC	115 V AC	230 V AC
Current consumption:	45 mA	25 mA	25 mA
red	816 100 55	816 100 67	816 100 68
green	816 200 55	816 200 67	816 200 68
yellow	816 300 55	816 300 67	816 300 68
clear	816 400 55	816 400 67	816 400 68

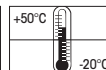
✳ ACCESSORIES:

Tube adaptor	975 812 01
Base with integrated tube, Ø 25 mm, 110 mm long, plastic	975 840 10
Base for tube mounting	975 840 90
Base for base mounting	975 812 02
Tube Ø 25 mm, all anodised aluminium	
100 mm long	975 845 10
250 mm long	975 840 25
400 mm long	975 840 40
Anti-twist device	975 815 22
Surface housing IP 65	
for 1 Installation Beacon	975 815 03
for 2 Installation Beacons	975 815 07
for 3 Installation Beacons	975 815 08
for 4 Installation Beacons	975 109 05
Accessories see page 98	

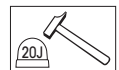
↔ TECHNICAL DIAGRAM:



Signalisation index
LED Permanent Light 3



24 V



816 LED Installation Blinking Beacon - PG29 (Ø 37 mm)



Tube adaptor as accessory



Surface housing (accessory)

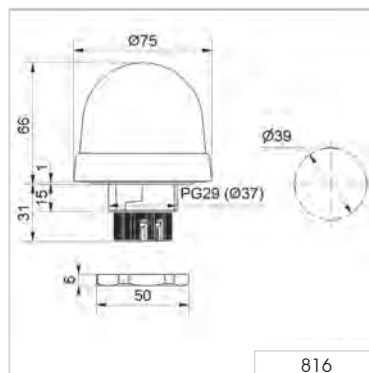
① TECHNICAL SPECIFICATIONS/ORDER SPECIFICATIONS:

Dimensions (Ø x Height):	75 mm x 66 mm (Protrusion from panel)
Housing:	PC/ABS-Blend Socket: PA-GF, high impact
Lens:	PC, transparent Shock resistance 20 Joules according to EN 60079-0
Fixing:	Installation mounting for Ø 37 mm (PG29)
Connection:	Screw terminal 0.5 - 1.5 mm ²
Blink frequency:	C. 1 Hz
Life duration:	Up to 50,000 hrs
Voltage:	24 V AC/DC
Current consumption:	45 mA
red	816 110 55
yellow	816 310 55
Further colours and voltages on request.	

✂ ACCESSORIES:

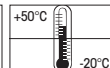
Tube adaptor	975 812 01
Base with integrated tube, Ø 25 mm, 110 mm long, plastic	975 840 10
Base for tube mounting	975 840 90
Base for base mounting	975 812 02
Tube Ø 25 mm, all anodised aluminium	
100 mm long	975 845 10
250 mm long	975 840 25
400 mm long	975 840 40
Anti-twist device	975 815 22
Surface housing IP 65	
for 1 Installation Beacon	975 815 03
for 2 Installation Beacons	975 815 07
for 3 Installation Beacons	975 815 08
for 4 Installation Beacons	975 109 05
Accessories see page 98	

↔ TECHNICAL DIAGRAM:



Signalisation index

LED Blinking Light 3



816 LED Permanent Beacon Multicolour - PG29 (Ø 37 mm)



816 Multicolour
with clear lens



816 Multicolour
with opaque lens



7 colours in one beacon:
red, yellow, green, white, blue,
violet and turquoise

① TECHNICAL SPECIFICATIONS/ORDER SPECIFICATIONS:

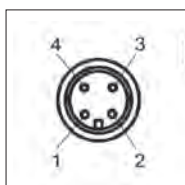
Dimensions (Ø x Height):	75 mm x 66 mm (Protrusion from panel)
Housing:	ABS/PC-Blend, black
Lens:	PC, transparent Shock resistance 20 Joules according to EN 60079-0
Fixing:	Installation mounting for Ø 37 mm (PG29)
Connection:	M12 plug (4 pole)
Colour options:	Red, yellow, green, white, blue, violet, turquoise (multicolour)
Life duration:	Up to 50,000 hrs
Voltage:	24 V DC
Current consumption:	max. 120 mA
clear lens	816 480 55

✂ ACCESSORIES:

Cable 5m with M12 plug	960 693 05
Base for base mounting	975 812 02
Tube adaptor	975 812 01
Base with integrated tube, Ø 25 mm, 110 mm long, plastic	975 840 10
Tube Ø 25 mm, all anodised aluminium	
100 mm long	975 845 10
250 mm long	975 840 25
400 mm long	975 840 40
Base for tube mounting, metal	975 840 91
Anti-twist device	975 815 22

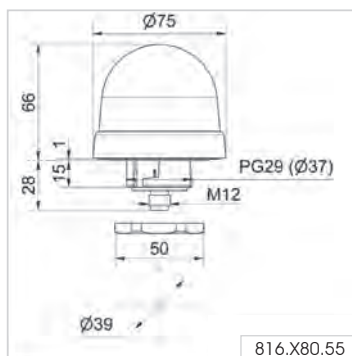
! ADDITIONAL INFORMATION:

Easy triggering



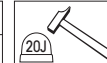
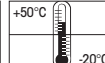
PIN	1	2	3	4	Colour
24 V	-	-	GND	-	rd
-	24 V	GND	-	-	gn
24 V	24 V	GND	-	-	ye
-	-	GND	24 V	-	bu
24 V	24 V	GND	24 V	-	wh
24 V	-	GND	24 V	-	vt
-	24 V	GND	24 V	-	tg

← TECHNICAL DIAGRAM:

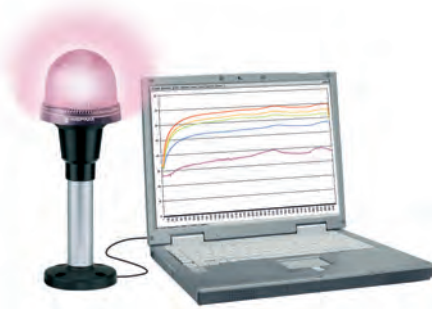


Signalisation index

LED Permanent Light (multicolour) 3



816 LED Beacon (Multicolour) with USB Interface - PG29 (Ø 37 mm)



Simple triggering as no special software is required

① TECHNICAL SPECIFICATIONS/ORDER SPECIFICATIONS:

Dimensions (Ø x Height):	75 mm x 66 mm (Protrusion from panel)
Housing:	ABS/PC-Blend, black
Lens:	PC, transparent Shock resistance 20 Joules according to EN 60079-0
Fixing:	Installation mounting for Ø 37 mm (PG29) Base and wall mounting possible (accessories)
Connection:	Mini USB 2.0 downward cable outlet
Power supply:	Via USB
Colour options:	More than 200,000 colours (RGB LED)
Suitable for:	Windows®, System requirements – see Handbook
Assembly:	LED beacon, demo software, driver and USB connection cable included, 1.8 m long
Life duration:	Up to 50,000 hrs
Voltage:	5 V (USB-Connection)
Current consumption:	≤ 500 mA
clear lens	816 480 53
opaque lens	816 780 53

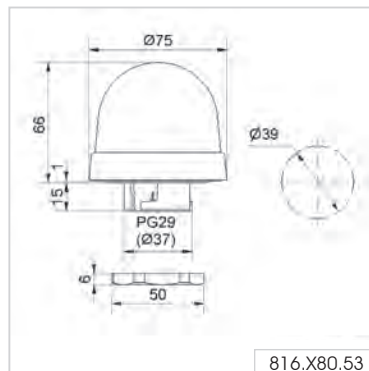
✂ ACCESSORIES:

You will find the appropriate accessories for base or tube mounting on page 104 or under www.werma.com

! ADDITIONAL INFORMATION:

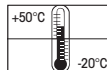
The installation LED Beacon with USB interface is compatible with USB 2.0 and 1.1. A wide range of colours and light effects can be quickly and simply programmed by the customer and altered at any time.

↪ TECHNICAL DIAGRAM:



Signalisation index

LED Permanent Light (multicolour) 3



800 Installation Permanent Beacon - PG29 (Ø 37 mm)



Bulb change via rear access with bayonet holder



Accessories

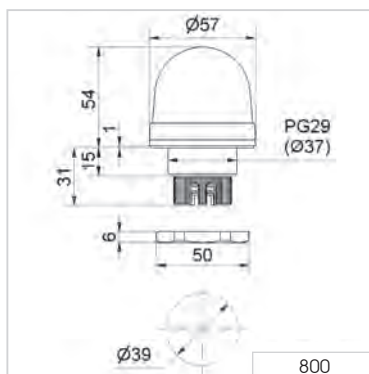
① TECHNICAL SPECIFICATIONS/ORDER SPECIFICATIONS:

Dimensions (Ø x Height):	57 mm x 54 mm (Protrusion from panel)
Housing:	PC/ABS-Blend Socket: PA-GF, high impact
Lens:	PC, transparent
Connection:	Screw terminal 0.5 -1.5 mm ²
Fixing:	Installation mounting for Ø 37 mm (PG29)
Operating voltage:	12-230 V
Bulb socket:	BA15d, 5 Watt max.
Bulb change:	Via rear access with bayonet mechanism
Bulb not included in assembly.	
Voltage:	12-230 V
red	800 100 00
green	800 200 00
yellow	800 300 00
white	800 400 00
blue	800 500 00

✂ ACCESSORIES:

Bulb BA15d, 5 W total length 42 mm					
Voltage:	12 V AC/DC	24 V AC/DC	30 V AC/DC	115 V AC/DC	230 V AC/DC
	955 840 34	955 840 35	955 840 32	955 840 57	955 840 38
Tube adaptor	975 812 01				
Base with integrated tube, Ø 25 mm, 110 mm long, plastic	975 840 10				
Base for tube mounting	975 840 90				
Base for base mounting	975 812 02				
Tube Ø 25 mm, all anodised aluminium					
100 mm long	975 845 10				
250 mm long	975 840 25				
400 mm long	975 840 40				
Anti-twist device	975 815 22				
Surface housing IP 65					
for 1 Installation Beacon	975 815 03				
for 2 Installation Beacons	975 815 07				
for 3 Installation Beacons	975 815 08				
for 4 Installation Beacons	975 109 05				

↔ TECHNICAL DIAGRAM:



Signalisation index	
Permanent Light	 2



815 Installation Permanent Beacon - PG29 (Ø 37 mm)



Vandal-proof construction



Accessories

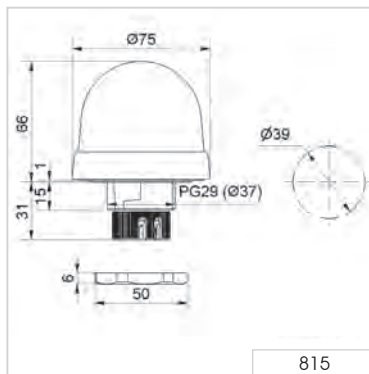
① TECHNICAL SPECIFICATIONS/ORDER SPECIFICATIONS:

Dimensions (Ø x Height):	75 mm x 66 mm (Protrusion from panel)
Housing:	PC/ABS-Blend, Socket: PA-GF, high impact
Lens:	PC, transparent Shock resistance 20 Joules according to EN 60079-0
Connection:	Screw terminal 0.5 - 1.5 mm ²
Fixing:	Installation mounting for Ø 37 mm (PG29)
Operating voltage:	12-230 V
Bulb socket:	BA15d, 5 Watt max.
Bulb change:	Via rear access with bayonet mechanism
Bulb not included in assembly.	
Voltage:	12-230 V
red	815 100 00
green	815 200 00
yellow	815 300 00
white	815 400 00
blue	815 500 00

✂ ACCESSORIES:

Bulb BA15d, 5 W total length 42 mm					
Voltage:	12 V AC/DC	24 V AC/DC	30 V AC/DC	115 V AC/DC	230 V AC/DC
	955 840 34	955 840 35	955 840 32	955 840 57	955 840 38
Tube adaptor	975 812 01				
Base with integrated tube, Ø 25 mm, 110 mm long, plastic	975 840 10				
Base for tube mounting	975 840 90				
Base for base mounting	975 812 02				
Tube Ø 25 mm, all anodised aluminium					
100 mm long	975 845 10				
250 mm long	975 840 25				
400 mm long	975 840 40				
Anti-twist device	975 815 22				
Surface housing IP 65					
for 1 Installation Beacon	975 815 03				
for 2 Installation Beacons	975 815 07				
for 3 Installation Beacons	975 815 08				
for 4 Installation Beacons	975 109 05				

↔ TECHNICAL DIAGRAM:



Signalisation index	
Permanent Light	 2



802 Xenon Installation Flashing Beacon - PG29 (Ø 37 mm)



Tube adaptor as accessory



Accessories

① TECHNICAL SPECIFICATIONS/ORDER SPECIFICATIONS:

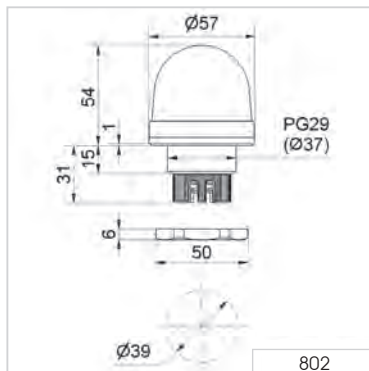
Dimensions (Ø x Height):	57 mm x 54 mm (Protrusion from panel)		
Housing:	PC/ABS-Blend Socket: PA-GF, high impact		
Lens:	PC, transparent		
Fixing:	Installation mounting for Ø 37 mm (PG29)		
Connection:	Screw terminal 0.5 - 1.5 mm ²		
Flash frequency:	0.75 Hz		
Flash energy:	1 Ws		
Life duration:	4 x 10 ⁶ flashes		
Voltage:	24 V DC	115 V AC	230 V AC
Current consumption:	100 mA	20 mA	30 mA
red	802 100 55	802 100 67	802 100 68
yellow	802 300 55	802 300 67	802 300 68

Further colours and voltages on request.

✂ ACCESSORIES:

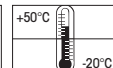
Tube adaptor	975 812 01
Base with integrated tube, Ø 25 mm, 110 mm long, plastic	975 840 10
Base for tube mounting	975 840 90
Base for base mounting	975 812 02
Tube Ø 25 mm, all anodised aluminium	
100 mm long	975 845 10
250 mm long	975 840 25
400 mm long	975 840 40
Anti-twist device	975 815 22
Surface housing IP 65	
for 1 Installation Beacon	975 815 03
for 2 Installation Beacons	975 815 07
for 3 Installation Beacons	975 815 08
for 4 Installation Beacons	975 109 05

↔ TECHNICAL DIAGRAM:



Signalisation index

Xenon Flashing Light 4



817 Installation Flashing Beacon (Xenon) - PG29 (Ø 37 mm)



Tube adaptor as accessory



Accessories

① TECHNICAL SPECIFICATIONS/ORDER SPECIFICATIONS:

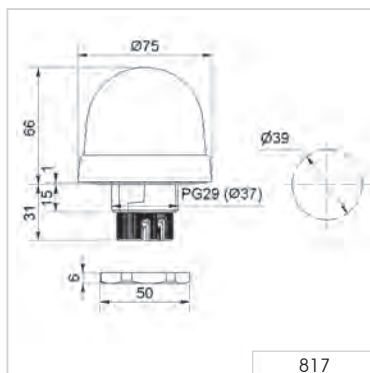
Dimensions (Ø x Height):	75 mm x 66 mm (Protrusion from panel)			
Housing:	PC/ABS-Blend Socket: PA-GF, high impact			
Lens:	PC, transparent Shock resistance 20 Joules according to EN 60079-0			
Fixing:	Installation mounting for Ø 37 mm (PG29)			
Connection:	Screw terminal 0.5 - 1.5 mm ²			
Flash frequency:	C. 1 Hz			
Flash energy:	2 Ws			
Life duration:	4 x 10 ⁶ flashes			
Voltage:	12 V DC	24 V DC	115 V AC	230 V AC
Current consumption:	< 195 mA	125 mA	22 mA	35 mA
red	817 100 54	817 100 55	817 100 67	817 100 68
yellow	817 300 54	817 300 55	817 300 67	817 300 68

Further colours and voltages on request.

✂ ACCESSORIES:

Tube adaptor	975 812 01
Base with integrated tube, Ø 25 mm, 110 mm long, plastic	975 840 10
Base for tube mounting	975 840 90
Base for base mounting	975 812 02
Tube Ø 25 mm, all anodised aluminium	
100 mm long	975 845 10
250 mm long	975 840 25
400 mm long	975 840 40
Anti-twist device	975 815 22
Surface housing IP 65	
for 1 Installation Beacon	975 815 03
for 2 Installation Beacons	975 815 07
for 3 Installation Beacons	975 815 08
for 4 Installation Beacons	975 109 05

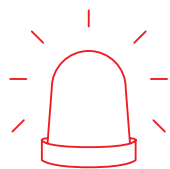
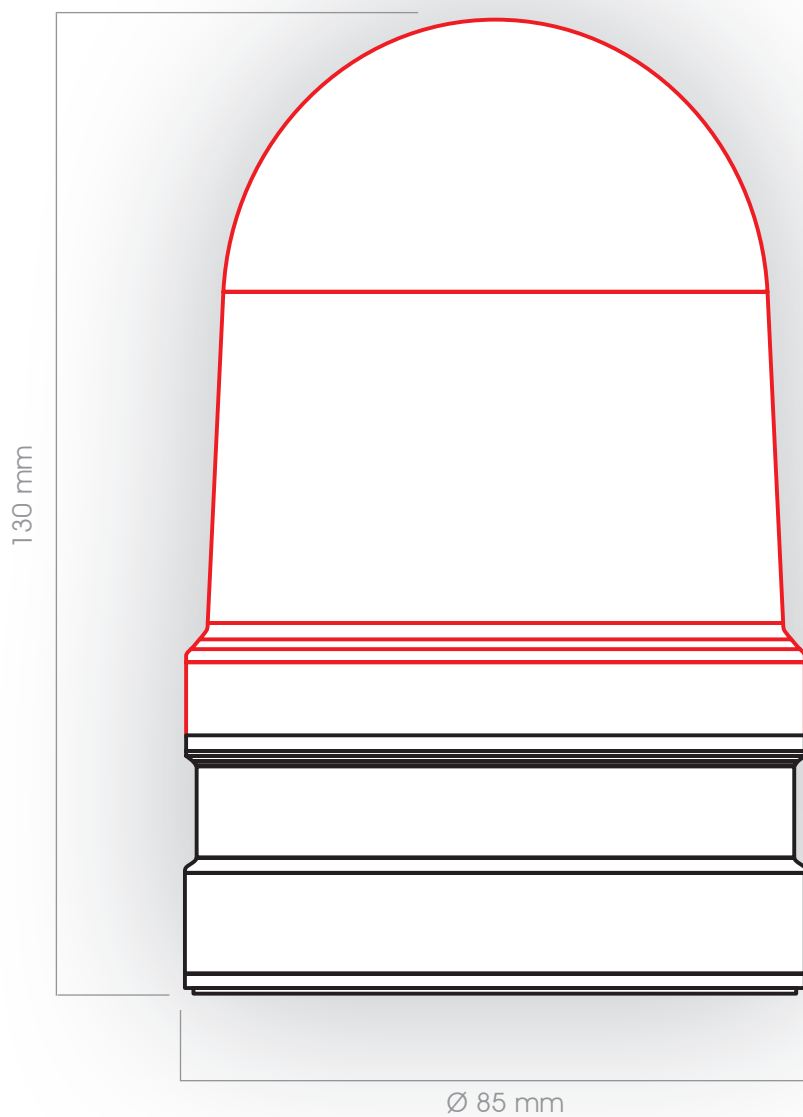
↔ TECHNICAL DIAGRAM:



Signalisation index	
Xenon Flashing Light	4



EvoSIGNAL Midi - LED Signal Beacon



32
TwinLIGHT, TwinFLASH,
TriCOLOUR, Rotating Light



6
Mounting adapter



EvoSIGNAL Midi - LED Signal Beacon

OLD

829	826	827	828
LED Permanent Blinking Beacon	Permanent Beacon	Blinking Beacon	Xenon Flashing Beacon
LED Permanent/Blinking/Rotating Beacon with external triggering			Xenon Flashing Beacon for use in road tunnels
LED Rotating Beacon			
LED Double Flash Beacon			
LED EVS Beacon			






NEW









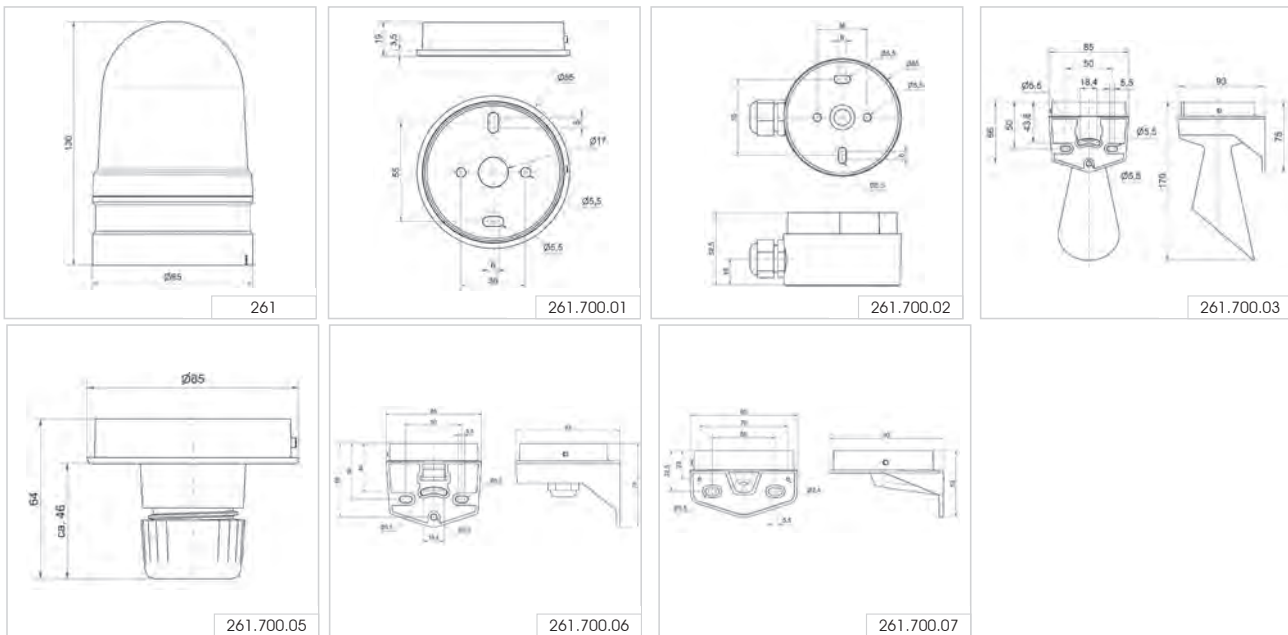
EvoSIGNAL Midi - LED Signal Beacon



12/24 V AC/DC			115-230 V AC		
TwinLIGHT	TwinFLASH	Rotating	TwinLIGHT	TwinFLASH	Rotating
Order no.	Order no.	Order no.	Order no.	Order no.	Order no.
 261 110 70	261 120 70	261 140 70	261 110 60	261 120 60	261 140 60
 261 210 70	261 220 70	261 240 70	261 210 60	261 220 60	261 240 60
 261 310 70	261 320 70	261 340 70	261 310 60	261 320 60	261 340 60
 261 410 70	261 420 70	261 440 70	261 410 60	261 420 60	261 440 60
 261 510 70	261 520 70	261 540 70	261 510 60	261 520 60	261 540 60
 TriCOLOUR			TriCOLOUR		
261 430 70			261 430 60		

+ Mounting adapter (compulsory!)

Base mounting	Base mounting with cable gland	Tube mounting	Bracket mounting with cable gland	Bracket mounting	Horn
					
Order no. 261 700 01	Order no. 261 700 02	Order no. 261 700 05	Order no. 261 700 06	Order no. 261 700 07	Order no. 261 700 03





Bracket mounting



Tube mounting

EvoSIGNAL Midi - LED Signal Beacon

① TECHNICAL SPECIFICATIONS/ORDER SPECIFICATIONS:

Dimensions (Ø x Height):	85 mm x 130 mm	
Housing:	PC/ABS, grey, high impact	
Lens:	PC, transparent	
Fixing:	Base/Tube/Wall mounting	
Cable entry:	Cable Diameter 8-12 mm	
Connection:	Push-In terminal max. 1.5 mm ²	

TwinLIGHT

Blinking/Flash frequency:	1 Hz	
Voltage:	12/24 V AC/DC	115-230 V AC
Current consumption:	≤ 185 mA	≤ 65 mA
red	261 110 70	261 110 60
green	261 210 70	261 210 60
yellow	261 310 70	261 310 60
white	261 410 70	261 410 60
blue	261 510 70	261 510 60

TwinFLASH

Blinking/Flash frequency:	1 Hz	
Voltage:	12/24 V AC/DC	115-230 V AC
Current consumption:	≤ 850 mA	≤ 110 mA
red	261 120 70	261 120 60
green	261 220 70	261 220 60
yellow	261 320 70	261 320 60
white	261 420 70	261 420 60
blue	261 520 70	261 520 60

Rotation

Rotation rate:	180 r.p.m.	
Voltage:	12/24 V AC/DC	115-230 V AC
Current consumption:	≤ 130 mA	≤ 110 mA
red	261 140 70	261 140 60
green	261 240 70	261 240 60
yellow	261 340 70	261 340 60
white	261 440 70	261 440 60
blue	261 540 70	261 540 60

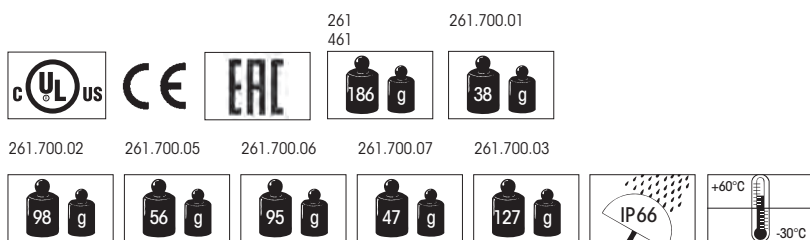
TriCOLOUR

Voltage:	12/24 V AC/DC	115-230 V AC
Current consumption:	≤ 145 mA	≤ 50 mA
clear	261 430 70	261 430 60

✦ ACCESSORIES:

Base mounting	261 700 01
Base mounting with cable gland	261 700 02
Tube mounting	261 700 05
Bracket mounting with cable gland	261 700 06
Bracket mounting	261 700 07
Horn	261 700 03

↔ TECHNICAL DIAGRAM:



Signalisation index

TwinLIGHT	6
TwinFLASH	8
Rotating	7

Midi Rotating Mirror Beacon – 885

Your benefits

The Midi Rotating Mirror Beacon provide flexible signalling over medium distances. The high protection rating IP65 ensures the safe operation in many areas – both indoor and outdoor applications.

- High intensity light thanks to halogen bulb in extremely compact housing
- Easy to connect, without removing the mechanical assembly

Typical applications

Signalling faults or relaying alarms

- in building service industry
- for electric gates and entry access systems
- on machinery and plant

Installation options

- Base mounting
- Tube mounting
- Bracket mounting with plastic bracket

Features

- Optional wire guard to protect against mechanical damage
- Quiet belt drive allows the beacon to be mounted and operated in any position, even upside down (with limited IP protection) or at 90° to the wall



Size comparison EvoSIGNAL Mini/Midi/Maxi



Signalisation index

Optical

Rotating Mirror

7



Base mounting



Rotating Mirror Beacon 885 with tube and base (accessories)



Plastic bracket und wire guard (accessories)

885 Rotating Mirror Beacon

① TECHNICAL SPECIFICATIONS/ORDER SPECIFICATIONS:

	Base/Bracket mounting	Tube mounting
Dimensions (Ø x Height):	98 mm x 151 mm	98 mm x 200 mm
Housing:	PC/ABS-Blend	
Lens:	PC, transparent	
Connection:	Screw terminal max. 1.5 mm ²	
Cable entry:	Cable diameter 5-7 mm	
Installation position:	Standing, Tube mounting if required	
Halogen bulb:	G 6.35 20 W 12 V / 24 V	
Mirror rotation rate:	c. 180 r.p.m.	
Service life of drive	> 5,000 hrs	
Duty cycle:	100 %	

Halogen bulb included in assembly.

Base/Bracket mounting

Voltage:	12 V DC	24 V AC/DC	115 V AC / 115 V DC / 230 V AC / 230 V DC
Current consumption:	1.9 A	1.0 A	0.4 A / 0.2 A / 0.2 A / 0.1 A
red	885 100 54	885 100 75	885 100 78
green	885 200 54	885 200 75	885 200 78
yellow	885 300 54	885 300 75	885 300 78
blue	885 500 54	885 500 75	885 500 78

Tube mounting

Voltage:	12 V DC	24 V AC/DC	115 V AC / 115 V DC / 230 V AC / 230 V DC
Current consumption:	1.9 A	1.0 A	0.4 A / 0.2 A / 0.2 A / 0.1 A
red	885 110 54	885 110 75	885 110 78
green	885 210 54	885 210 75	885 210 78
yellow	885 310 54	885 310 75	885 310 78
blue	885 510 54	885 510 75	885 510 78

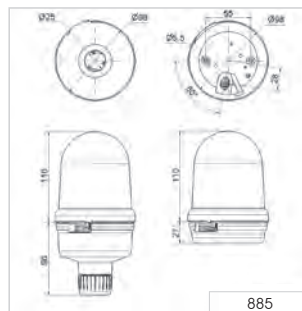
✂ ACCESSORIES:

Plastic bracket for wall mounting	975 826 05
Wire guard, galvanised, only for base mounting Tube Ø 25 mm, all anodised aluminium	975 826 03
100 mm long	975 845 10
250 mm long	975 840 25
Base for tube mounting, plastic, Ø 25 mm	975 840 90
Base for tube mounting, metal, Ø 25 mm	975 840 91

SPARE PARTS:

Halogen bulb 20 W/12 V for 12 V DC	
115 V AC/DC, 230 V AC/DC	955 885 24
Halogen bulb 20 W/24 V for 24 V AC/DC	955 885 25

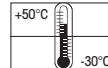
← TECHNICAL DIAGRAM:



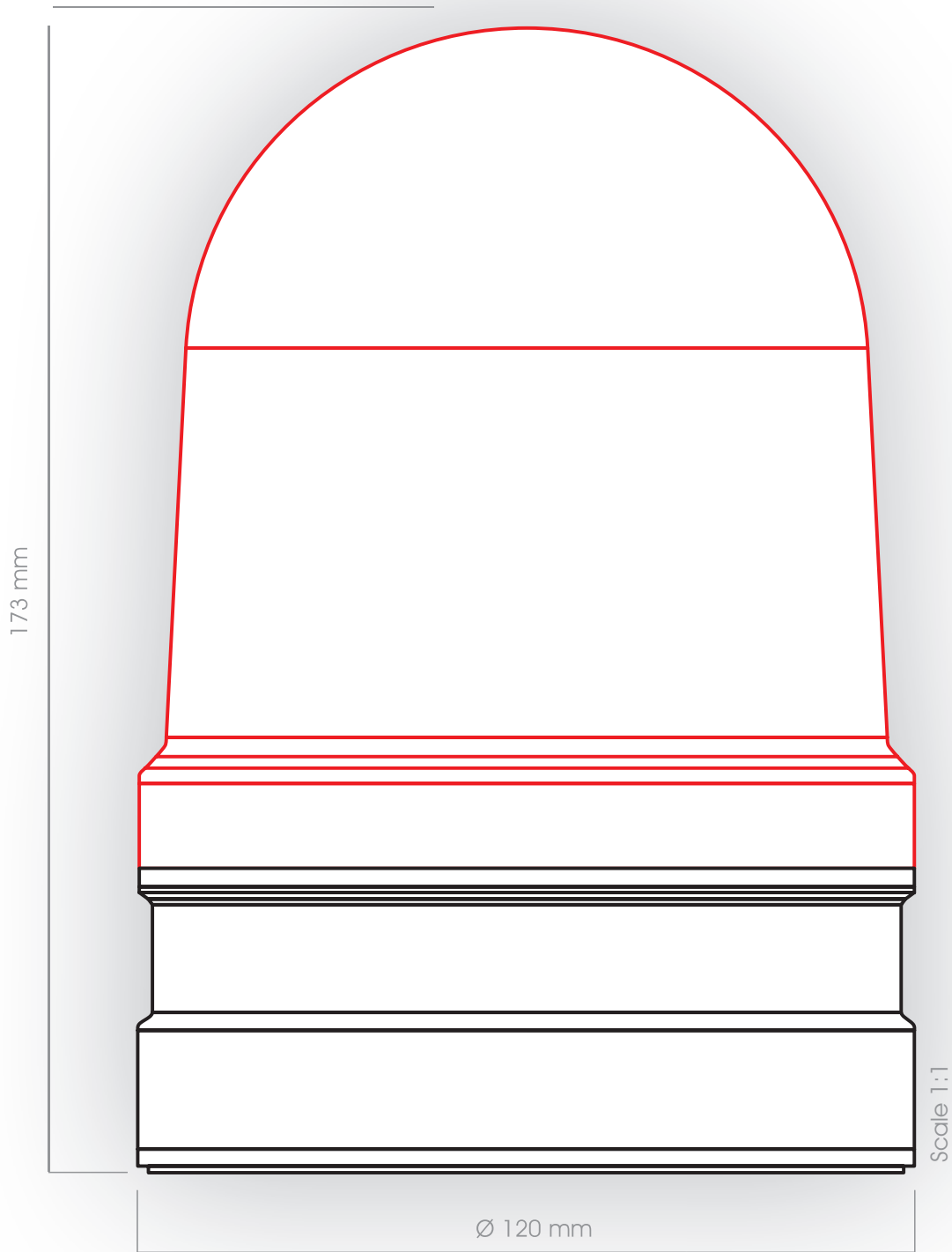
Signalisation index

Rotating Mirror

7



EvoSIGNAL Maxi - LED Signal Beacon



30
TwinLIGHT, TwinFLASH,
Rotating Light



4
Mounting adapter





EvoSIGNAL Maxi - LED Signal Beacon

OLD

280

LED Permanent Beacon

LED Rotating Beacon

LED Double Flash Beacon

LED EVS Beacon



NEW





Bracket mounting with cable gland



Base mounting with cable exit at side

EvoSIGNAL Maxi - LED Signal Beacon

① TECHNICAL SPECIFICATIONS/ORDER SPECIFICATIONS:

Dimensions (Ø x Height):	120 mm x 173 mm
Housing:	PC/ABS
Lens:	PC, transparent
Fixing:	Base/Wall/Tube mounting
Cable entry:	Cable Diameter 8-12 mm
Connection:	Push-In terminal max. 1.5 mm ²
Rotation rate:	180 r.p.m.
Flash/Blinking frequency:	1 Hz

TwinLIGHT		
Voltage:	12/24 V AC/DC	115-230 V AC
Current consumption:	≤ 700 mA	≤ 165 mA
red	262 110 70	262 110 60
green	262 210 70	262 210 60
yellow	262 310 70	262 310 60
white	262 410 70	262 410 60
blue	262 510 70	262 510 60

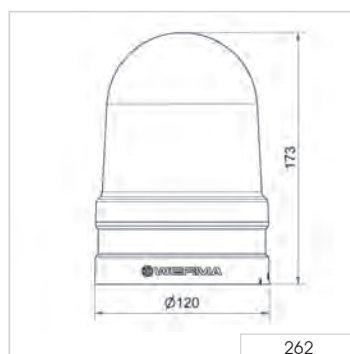
TwinFLASH		
Voltage:	12/24 V AC/DC	115-230 V AC
Current consumption:	≤ 760 mA	≤ 165 mA
red	262 120 70	262 120 60
green	262 220 70	262 220 60
yellow	262 320 70	262 320 60
white	262 420 70	262 420 60
blue	262 520 70	262 520 60

Rotating		
Voltage:	12/24 V AC/DC	115-230 V AC
Current consumption:	≤ 550 mA	≤ 170 mA
red	262 140 70	262 140 60
green	262 240 70	262 240 60
yellow	262 340 70	262 340 60
white	262 440 70	262 440 60
blue	262 540 70	262 540 60

✳ ACCESSORIES:

Base mounting	262 700 01
Base mounting with cable exit at side	262 700 02
Bracket mounting with cable gland	262 700 06
Bracket mounting with concealed cable entry	262 700 07

↔ TECHNICAL DIAGRAM:



Signalisierungsindex

TwinLIGHT	8
TwinFLASH	10
Rotating	9

262



262.700.01



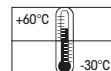
262.700.02



262.700.06



262.700.07



Maxi Beacons – 838/883/884 families

Your benefits

WERMA's Maxi Beacons give flexible signalling over larger distances. The IP65 rated units are ideally suited for use in both indoor and outdoor applications.

838 xenon double flash:

- Very bright, even in direct sunlight and over longer distances

883/884 rotating mirror beacons:

- High intensity light and robust housing
- Easy to connect, without removing the mechanical assembly

Typical applications

Signalling faults and relaying alarms

- In building technology
- For door and gate systems
- On machinery and plant equipment, over long distances

Installation options

- Base mounting
- Tube mounting
- Bracket mounting

Features

- Tamper-proof and shock-resistant up to 20 joules
- Optional wire guard to protect against mechanical damage

883/884 rotating mirror beacons:

- Quiet, with low-wear wheel and disc drive

884 revolving beacon:

- Special Fresnel lenses produce beams of light that can be seen over longer distances even in poor light conditions



Size comparison EvoSIGNAL Midi/Maxi/Heavy Duty



Signalisation index

Optical

Xenon Flashing Light	9
Rotating Mirror/Rotating Light	9



Wire guard
(accessory)



Adaptor for tube mounting
and plastic bracket
(accessories)

838 Xenon Double Flash Beacon

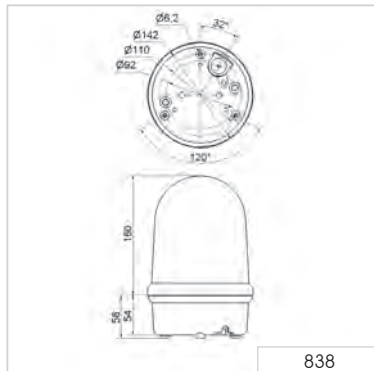
① TECHNICAL SPECIFICATIONS/ORDER SPECIFICATIONS:

Dimensions (Ø x Height):	142 mm x 216 mm		
Housing:	PC/ABS-Blend		
Lens:	PC, transparent		
Fixing:	Base mounting, Bracket/Tube mounting (accessory)		
Cable entry:	Cable diameter 5-8 mm		
Connection:	Screw terminal 0.5 - 1.5 mm ²		
Flash energy:	15 Ws		
Flash frequency:	c. 1 Hz		
Life duration:	4 x 10 ⁶ flashes		
Voltage:	24 V DC	115 V AC	230 V AC
Current consumption:	800 mA	400 mA	200 mA
red	838 100 55	838 100 67	838 100 68
yellow	838 300 55	838 300 67	838 300 68

✳ ACCESSORIES:

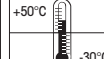
Plastic bracket for wall mounting	975 883 06
Adaptor for tube mounting	975 883 09
Wire guard, only for base mounting	975 883 08

↔ TECHNICAL DIAGRAM:



Signalisation index

Xenon Flashing Light **9**



883 Rotating Mirror Beacon



Bracket (accessory)



Plastic bracket, adaptor for tube mounting and wire guard (accessories)

① TECHNICAL SPECIFICATIONS/ORDER SPECIFICATIONS:

Dimensions (Ø x Height):	142 mm x 218 mm
Housing:	PC/ABS-Blend
Lens:	PC, transparent
Fixing:	Base mounting, bracket mounting, tube mounting (accessory)
Cable entry:	Cable diameter 5-7 mm
Connection:	Screw terminal 0.5 -1.5 mm ²
Drive:	Wheel and disc drive, motor in centre of gravity
Halogen bulb:	G 6.35 35 W 12 V / 24 V
Mirror rotation rate:	180 r.p.m.
Service life of drive:	> 5,000 hrs
Duty cycle:	100 %

Halogen bulb included in assembly.

Voltage:	12 V DC	24 V AC/DC	115 V AC/DC	230 V AC
Current consumption:	3 A	1,6 A	0,35 A	0,17 A
red	883 100 54	883 100 75	883 100 77	883 100 68
green	883 200 54	883 200 75	883 200 77	883 200 68
yellow	883 300 54	883 300 75	883 300 77	883 300 68
blue	883 500 54	883 500 75	883 500 77	883 500 68

Further colours and voltages on request.

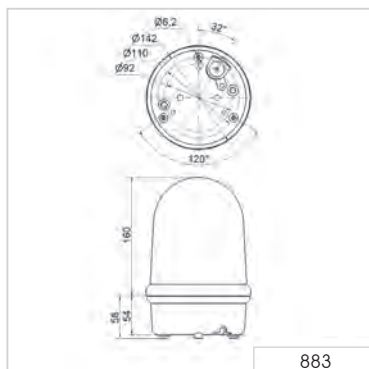
✳ ACCESSORIES:

Plastic bracket for wall mounting	975 883 06
Adaptor for tube mounting	975 883 09
Base for tube mounting	975 840 91
Tube, Ø 25 mm, 100 mm long	975 845 10
Tube, Ø 25 mm, 250 mm long	975 840 25
Wire guard, only for base mounting	975 883 08

SPARE PARTS:

Halogen bulb 35 W/12 V for 230 V AC, 12 V DC, 115 V AC/DC	955 883 34
Halogen bulb 35 W/24 V for 24 V AC/DC	955 883 35

↔ TECHNICAL DIAGRAM:



Signalisation index

Rotating Mirror 9





Bracket
(accessory)



Plastic bracket, adaptor for tube mounting and wire guard
(accessories)

884 Revolving Signal Beacon

① TECHNICAL SPECIFICATIONS/ORDER SPECIFICATIONS:

Dimensions (Ø x Height):	142 mm x 218 mm
Housing:	PC/ABS-Blend
Lens:	PC, transparent
Fixing:	Base mounting, bracket mounting, tube mounting (accessory)
Cable entry:	Cable diameter 5-8 mm
Connection:	Screw terminal 0.5 - 1.5 mm ²
Drive:	Wheel and disc drive, motor in centre of gravity
Halogen bulb:	G 6.35 35 W 12 V / 24 V
Mirror rotation rate:	60 r.p.m.
Service life of drive:	> 5,000 hrs
Duty cycle:	100 %

Halogen bulb included in assembly.

Voltage:	24 V AC/DC	230 V AC
Current consumption:	1,6 A	0,17 A
red	884 100 75	884 100 68
green	884 200 75	884 200 68
yellow	884 300 75	884 300 68
blue	884 500 75	884 500 68

Further colours and voltages on request.

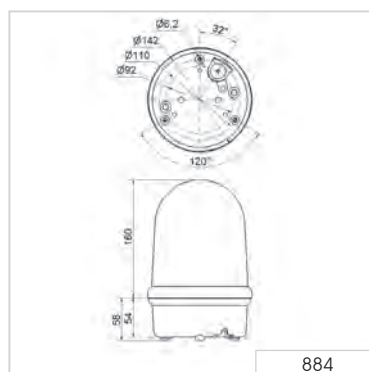
✂ ACCESSORIES:

Plastic bracket for wall mounting	975 883 06
Adaptor for tube mounting	975 883 09
Base for tube mounting	975 840 91
Tube, Ø 25 mm, 100 mm long	975 845 10
Tube, Ø 25 mm, 250 mm long	975 840 25
Wire guard, only for base mounting	975 883 08

SPARE PARTS:

Halogen bulb 35 W/12 V for 230 V AC, 12 V DC, 115 V AC/DC	955 883 34
Halogen bulb 35 W/24 V for 24 V AC/DC	955 883 35

↔ TECHNICAL DIAGRAM:



Signalisation index

Rotating Mirror

9



FlexSQUARE – Square shaped beacons

Your benefits

The compact 853 LED beacon is particularly versatile. With an IP67 protection rating, it is suitable for all indoor and outdoor applications, even in harsh environmental conditions.

- Powerful high-output, forward-directed light effect
- Clearly visible, also from the side
- Easy mounting and electrical installation thanks to the elastic, self-sealing, membranes or optional M20 cable gland for mounting on different sides
- Many combinations possible (traffic lights, for example)
- Where space is restricted: Multi-coloured version available, with up to seven colours

153 multi-tone siren:

- Loud audible signal to complement 853 beacon or as a stand-alone product
- Eight signal tones to choose from and a signal escalation option using three different externally triggerable tones

Typical applications

Signalling of faults

- In lift and hoist systems (48 V)
- In building technology

Installation options

- Wall mounting
- Base mounting

Features

- Signal escalation possible with LED permanent light, LED double flash and EVS light in different colours
- Wide range of light effects and voltage options (12V, 24V, 48V and 115-230V)
- With the multi-coloured version, the three basic colours red, yellow and green can be activated with just two PLC outputs. With a third output, a further four colours are available

153 multi-tone siren:

- The sound output can be adjusted remotely



Signalisation index	
Optical	
LED Permanent Light	5
LED Flashing Light	6
LED EVS	8



LED Permanent Light multicolour: 7 colours in one beacon: red, yellow, green, clear, blue, violet, turquoise

853 LED Permanent Beacon

① TECHNICAL SPECIFICATIONS/ORDER SPECIFICATIONS:

Dimensions (L x H x W):	85 mm x 85 mm x 72 mm
Housing:	PP-GF, black
Lens:	PC, transparent
Connection:	Screw terminal 0.5 - 1.5 mm ² CAGE CLAMP® 0.5 to 1.5 mm ² (Multicolour, RGY)
Fixing:	Wall, base and ceiling mounting
Possible colours:	Red, yellow, green, white, blue, violet, turquoise (multicolour)
Equipment:	Elastic self-sealing membranes for cable entry without tools Eight integrated M20 threads, no nuts required Optional use of a cable gland, thread length of cable gland ≤ 9 mm (accessory)
Assembly:	Incl. snap-on fixing bracket (optional use)
Life duration:	Up to 50,000 hrs

LED Permanent Beacon

Voltage:	12 V DC	24 V DC	48 V AC	115-230 V AC
Current consumption:	< 180 mA	< 80 mA	< 35 mA	< 40 mA
red	853 100 54	853 100 55	853 100 66	853 100 60
green	853 200 54	853 200 55	853 200 66	853 200 60
yellow	853 300 54	853 300 55	853 300 66	853 300 60
clear	853 400 54	853 400 55	853 400 66	853 400 60
blue	853 500 54	853 500 55	853 500 66	853 500 60

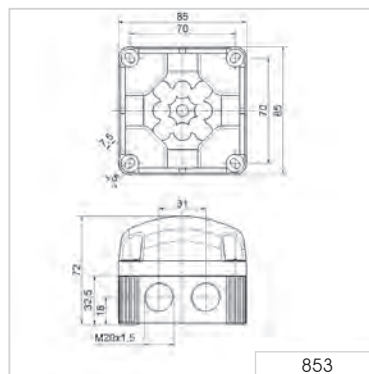
LED Permanent Beacon (multicolour)

Voltage:	24 V DC	115-230 V AC
Current consumption:	< 150 mA	< 35 mA
Multicolour	853 480 55	-
RGY (red, green, yellow)	-	853 480 60

✂ ACCESSORIES:

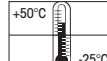
Connector for traffic light combinations	975 853 01
Cable gland M20 x 1.5 mm, 8mm thread length	975 853 02

← TECHNICAL DIAGRAM:



Signalisation index

LED Permanent Light **5**



24 V



853 LED Double Flash Beacon



Intense double flash effect
with low power consumption

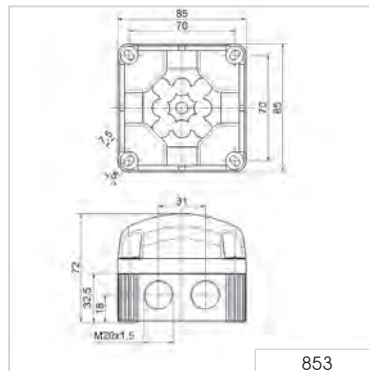
① TECHNICAL SPECIFICATIONS/ORDER SPECIFICATIONS:

Dimensions (L x H x W):	85 mm x 85 mm x 72 mm			
Housing:	PP-GF, black			
Lens:	PC, transparent			
Connection:	Screw terminal 0.5 - 1.5 mm ²			
Fixing:	Wall, base and ceiling mounting			
Equipment:	Elastic self-sealing membranes for cable entry without tools Eight integrated M20 threads, no nuts required Optional use of a cable gland, thread length of cable gland ≤ 9 mm (accessory)			
Assembly:	Incl. snap-on fixing bracket (optional use)			
Life duration:	Up to 50,000 hrs			
Voltage:	12 V DC	24 V DC	48 V AC	115-230 V AC
Current consumption:	< 100 mA	< 80 mA	< 95 mA	< 180 mA
red	853 110 54	853 110 55	853 110 66	853 110 60
green	853 210 54	853 210 55	853 210 66	853 210 60
yellow	853 310 54	853 310 55	853 310 66	853 310 60
clear	853 410 54	853 410 55	853 410 66	853 410 60
blue	853 510 54	853 510 55	853 510 66	853 510 60

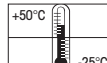
✂ ACCESSORIES:

Connector for traffic light combinations	975 853 01
Cable gland M20 x 1.5 mm, 8mm thread length	975 853 02

↔ TECHNICAL DIAGRAM:



Signalisation index	
LED Flashing Light	6



24 V





The innovative connector (accessory) enables traffic light combinations to be created in a matter of seconds



The "EVS" light signal ensures a maximum attention-grabbing effect

853 LED EVS Beacon

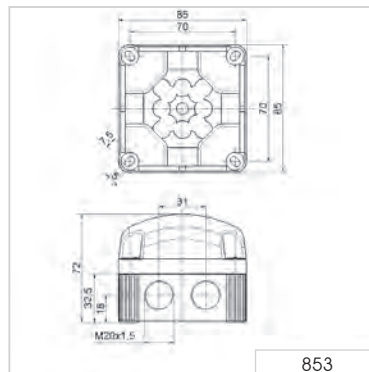
① TECHNICAL SPECIFICATIONS/ORDER SPECIFICATIONS:

Dimensions (L x H x W):	85 mm x 85 mm x 72 mm			
Housing:	PP-GF, black			
Lens:	PC, transparent			
Connection:	Screw terminal 0.5 - 1.5 mm ²			
Cable entry:	Cable diameter max. 8 mm, optional cable gland M20 (accessory)			
Fixing:	Wall, base and ceiling mounting			
Equipment:	Elastic self-sealing membranes for cable entry without tools Eight integrated M20 threads, no nuts required Optional use of a cable gland, thread length of cable gland ≤ 9 mm (accessory)			
Assembly:	Incl. snap-on fixing bracket (optional use)			
Life duration:	Up to 50,000 hrs			
Voltage:	12 V DC	24 V DC	48 V AC	115-230 V AC
Current consumption:	< 400 mA	< 200 mA	< 95 mA	< 160 mA
red	853 120 54	853 120 55	853 120 66	853 120 60
green	853 220 54	853 220 55	853 220 66	853 220 60
yellow	853 320 54	853 320 55	853 320 66	853 320 60
clear	853 420 54	853 420 55	853 420 66	853 420 60
blue	853 520 54	853 520 55	853 520 66	853 520 60

✂ ACCESSORIES:

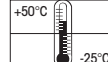
Connector for traffic light combinations	975 853 01
Cable gland M20 x 1.5 mm, 8mm thread length	975 853 02

← TECHNICAL DIAGRAM:



Signalisation index

LED EVS Light 8



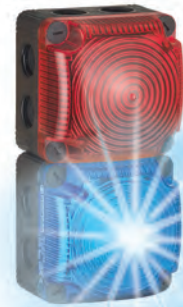
24 V



853 LED Traffic Light



The innovative connector (accessory) enables traffic light combinations to be created in a matter of seconds



Three highly visible light effects are available



The LED beacon can be used with the sounder

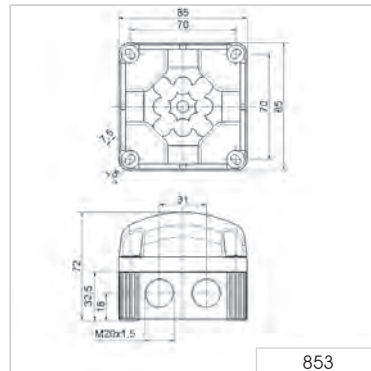
① TECHNICAL SPECIFICATIONS/ORDER SPECIFICATIONS:

Dimensions (L x H x W):	85 mm x 85 mm x 72 mm	
Housing:	PP-GF, black	
Lens:	PC, transparent	
Connection:	Screw terminal 0.5 - 1.5 mm ² CAGE CLAMP® 0.5 - 1.5 mm ² (Multicolour, RGY)	
Fixing:	Wall, base and ceiling mounting	
Possible colours:	Red, green, yellow, clear, blue	
Operating voltage:	12 V DC, 24 V DC, 115-230 V AC	
Current consumption:	Max. 80 mA at 24 V (LED Permanent Beacon) Max. 80 mA at 24 V (LED Double Flash Beacon) Max. 200 mA at 24 V (LED EVS Beacon) Max. 150 mA at 24 V (Multicolour)	
Equipment:	Eight self-sealing membranes for cable entry without tools Eight integrated M20 threads, no nuts required Optional use of a cable gland, thread length of cable gland ≤ 9 mm (accessory)	
Assembly:	Incl. snap-on fixing bracket (optional use)	
Life duration:	Up to 50,000 hrs	
LED Permanent Beacon 853		see page 122
LED Permanent Beacon 853 (multicolour)		see page 122
LED Permanent Beacon 853 (RGY)		see page 122
LED Double Flash Beacon 853		see page 123
LED EVS Beacon 853		see page 124
Sounder 153		see next page

✳ ACCESSORIES:

Connector for traffic light combinations	975 853 01
Cable gland M20 x 1.5 mm, 8mm thread length	975 853 02

↔ TECHNICAL DIAGRAM:





The innovative connector (accessory) enables traffic light combinations to be created in a matter of seconds

853/153 Sounder/ LED Beacon Combination

① TECHNICAL SPECIFICATIONS/ORDER SPECIFICATIONS:

Dimensions (L x H x W):	85 mm x 85 mm x 72 mm			
Housing:	PP-GF, black			
Lens:	LED Beacon 853: PC, transparent Sounder 153: PC, tinted black			
Connection:	Screw terminal 0.5 - 1.5 mm ²			
Cable entry:	Cable diameter max. 8 mm, optional Cable gland M20 (accessory)			
Fixing:	Wall and ceiling mounting			
Current consumption:	Max. 200 mA at 24 V			
Equipment:	Eight self-sealing membranes for cable entry without tools Eight integrated M20 threads, no nuts required Optional use of a cable gland, thread length of cable gland ≤ 9 mm (accessory)			
Assembly:	Incl. snap-on fixing bracket (optional use)			
Voltage:	12 V DC	24 V DC	48 V AC	115-230 V AC
Current consumption:	70 mA	120 mA	150 mA	75 mA (115 V) 150 mA (230 V)
Order no.:	153 000 54	153 000 55	153 000 66	153 000 60

The technical specifications and order specifications of the LED Beacons can be found at www.werma.com or on page 122 (LED Permanent Beacon), page 123 (LED Double Flash Beacon) and page 124 (LED EVS Beacon).

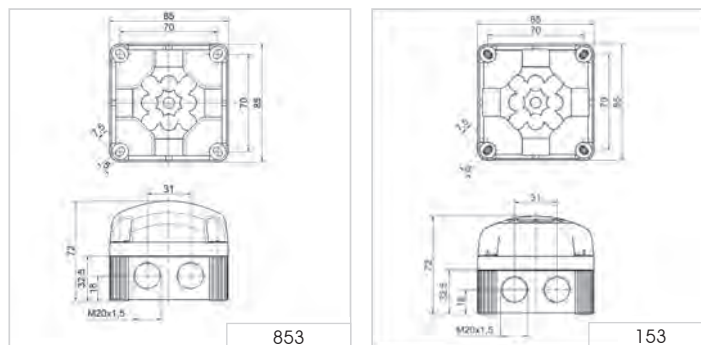
✂ ACCESSORIES:

Connector for traffic light combinations	975 853 01
Cable gland M20 x 1.5 mm, 8mm thread length	975 853 02

♪ TONE TYPES AND FREQUENCIES:

Tone	Tone type	Tone	Tone type
1	Continuous tone (c. 3000 Hz)	5	800 - 970 Hz rising @ 1 H
2	Horn tone (c. 110 Hz)	6	2400 - 2850 Hz rising @ 7 Hz
3	1 Hz tone (c. 3,0 kHz)	7	1200 - 500 Hz falling @ 1 Hz
4	20 Hz whistle tone (c. 3,0 kHz)	8	Alternating tone 800 Hz/1200 Hz@1 Hz

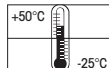
↔ TECHNICAL DIAGRAM:



Signalisation index

Multi-tone siren

7



12 V, 24 V

48 V, 115-230 V

Heavy-Duty Beacons - 839

Your benefits

The heavy-duty beacons have the advantage of a robust and seawater-resistant aluminium housing unit in conjunction with a shock-resistant wire guard. These products are therefore especially suitable for use in harsh environments, locations exposed to seawater, or situations where excellent shock resistance is required.

- Maintenance-free operation permits use in locations where access is difficult
- Optimum protection against even severe mechanical strain or exposure to seawater

Typical applications

Signalling faults and relaying alarms

- In outdoor and indoor areas under extreme conditions
- For maritime applications on ships or in harbour areas

Installation options

- Base mounting
- Bracket mounting

Features

- Special screwed cable gland for equalising the pressure in the housing with the environmental pressure
- IP66 / 67 for use in harsh conditions



Size comparison EvoSIGNAL Midi/EvoSIGNAL Maxi/Heavy Duty



Signalisation index	
Optical	
LED Permanent Light	6
LED Rotating Light	7
Flashing Light Xenon	9
Rotating Mirror/Rotating Light	7



839 LED Permanent Beacon

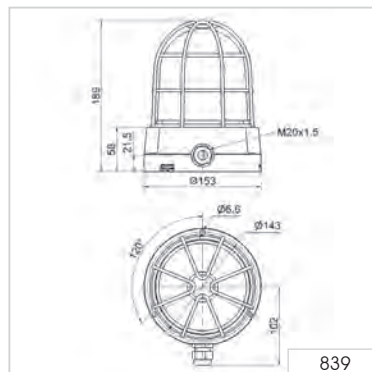
① TECHNICAL SPECIFICATIONS/ORDER SPECIFICATIONS:

Dimensions (Ø x Height):	153 mm x 189 mm	
Housing:	Black coated aluminium with integral wire guard	
Lens:	PC, transparent	
Fixing:	Base mounting, Bracket mounting (accessory)	
Connection:	Screw terminal 0.5 - 1.5 mm ²	
Cable entry:	Cable gland M20 x 1.5 mm (included in assembly) Cable diameter 6-13 mm	
Installation position:	As required	
Life duration:	Up to 50,000 hrs	
Voltage:	12-50 V DC	230 V AC
Current consumption:	500-100 mA	50 mA
red	839 100 55	839 100 68
yellow	839 300 55	839 300 68

✂ ACCESSORIES:

Mounting bracket	975 839 02
------------------	-------------------

← TECHNICAL DIAGRAM:



Signalisation index
LED Permanent Light **6**



839 LED Rotating Beacon



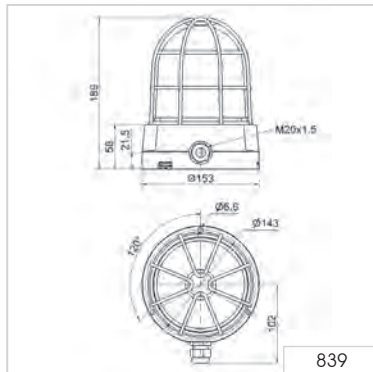
① TECHNICAL SPECIFICATIONS/ORDER SPECIFICATIONS:

Dimensions (Ø x Height):	153 mm x 189 mm	
Housing:	Black coated aluminium with integral wire guard	
Lens:	PC, transparent	
Fixing:	Base mounting, Bracket mounting (accessory)	
Connection:	Screw terminal 0.5 -1.5 mm ²	
Cable entry:	Cable gland M20 x 1.5 mm (included in assembly) Cable diameter 6-13 mm	
Installation position:	As required	
Rotation rate:	c. 180 r.p.m.	
Life duration:	Up to 50,000 hrs	
Voltage:	24 V DC	115-230 V AC
Current consumption:	150 mA	70-180 mA
red	839 120 55	839 120 68
yellow	839 320 55	839 320 68

✂ ACCESSORIES:

Mounting bracket	975 839 02
------------------	-------------------

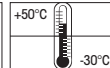
↔ TECHNICAL DIAGRAM:



Mounting bracket
(accessory)

Signalisation index

LED Rotating Light 7





839 Xenon Double Flash Beacon

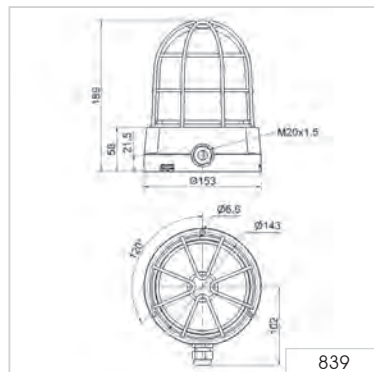
① TECHNICAL SPECIFICATIONS/ORDER SPECIFICATIONS:

Dimensions (Ø x Height):	153 mm x 189 mm	
Housing:	Black coated aluminium with integral wire guard	
Lens:	PC, transparent	
Fixing:	Base mounting, Bracket mounting (accessory)	
Connection:	Screw terminal 0.5 - 1.5 mm ²	
Cable entry:	Cable gland M20 x 1.5 mm (included in assembly) Cable diameter 6-13 mm	
Installation position:	As required	
Flash energy:	15 Ws	
Flash frequency:	c. 1 Hz	
Life duration:	4 x 10 ⁶ flashes	
Voltage:	24 V DC	230 V AC
Current consumption:	800 mA	200 mA
red	839 152 55	839 152 68
yellow	839 352 55	839 352 68

✂ ACCESSORIES:

Mounting bracket	975 839 02
------------------	-------------------

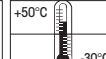
↔ TECHNICAL DIAGRAM:



Signalisation index

Xenon Flashing Light

9



839 Rotating Mirror Beacon



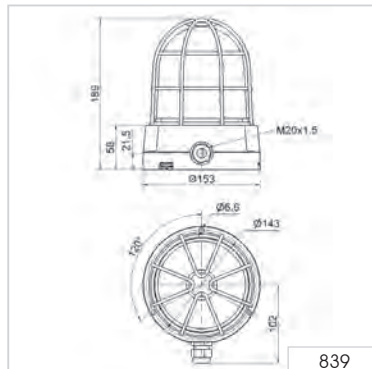
① TECHNICAL SPECIFICATIONS/ORDER SPECIFICATIONS:

Dimensions (Ø x Height):	153 mm x 189 mm	
Housing:	Black coated aluminium with integral wire guard	
Lens:	PC, transparent	
Fixing:	Base mounting, Bracket mounting (accessory)	
Connection:	Screw terminal 0.5 - 1.5 mm ²	
Cable entry:	Cable gland M20 x 1.5 mm (included in assembly) Cable diameter 6-13 mm	
Installation position:	As required	
Halogen bulb:	G 6.35 20W 12/24 V	
Mirror rotating rate:	180 r.p.m.	
Service life of drive:	> 5,000 hrs	
Voltage:	24 V AC/DC	115 V AC / 115 V DC / 230 V AC / 230 V DC
Current consumption:	1.0 A	0.35 A / 0.2 A / 0.15 A / 0.1 A
red	839 160 75	839 160 78
yellow	839 360 75	839 360 78

✂ ACCESSORIES:

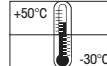
Mounting bracket	975 839 02
SPARE PARTS:	
Halogen bulb 20 W/12 V for 115 V AC, 115 V DC, 230 V AC, 230 V DC	955 885 24
Halogen bulb 20 W/24 V for 24 V AC/DC	955 885 25

↔ TECHNICAL DIAGRAM:



Signalisation index

Rotating Mirror 7





Obstruction Light



Why do obstacles need to be illuminated?

The law stipulates that buildings of a specific height and in the vicinity of airports as well as factory chimneys, towers, masts etc. must be equipped with obstruction lights.

This special lighting makes obstacles visible for pilots in the dark or when visibility is poor. Obstruction lighting is one of the most important aspects of flight safety.

What directives and regulations are there?

The method of marking obstacles to air traffic is laid down by diverse laws, regulations and recommendations. These regulations have a clearly defined sphere of influence and are **internationally interlinked**.

The International Civil Aviation Organisation (**ICAO**) is a special organisation within the United Nations created to establish and develop universal regulations for safety, continuity and economic efficiency in international air traffic. The recommendations of the ICAO are not directly binding in the member states, but must be transformed by them into the appropriate **national legal regulations**.

In **Germany** the Ministry for Transport and Construction Development (**BMVBS**) issues the regulations covering obstruction lighting on buildings. The **ICAO** regulations regarding the methods of marking and lighting aviation obstacles can be found in ICAO Annex 14.

- **"Low intensity obstacle beacon type A"**: a red permanent night-time warning beacon for fixed obstructions with a brightness of 10 cd.
- **"Low intensity obstacle beacon type B"**: a red permanent night-time warning beacon for fixed obstructions with a brightness of 32 cd.

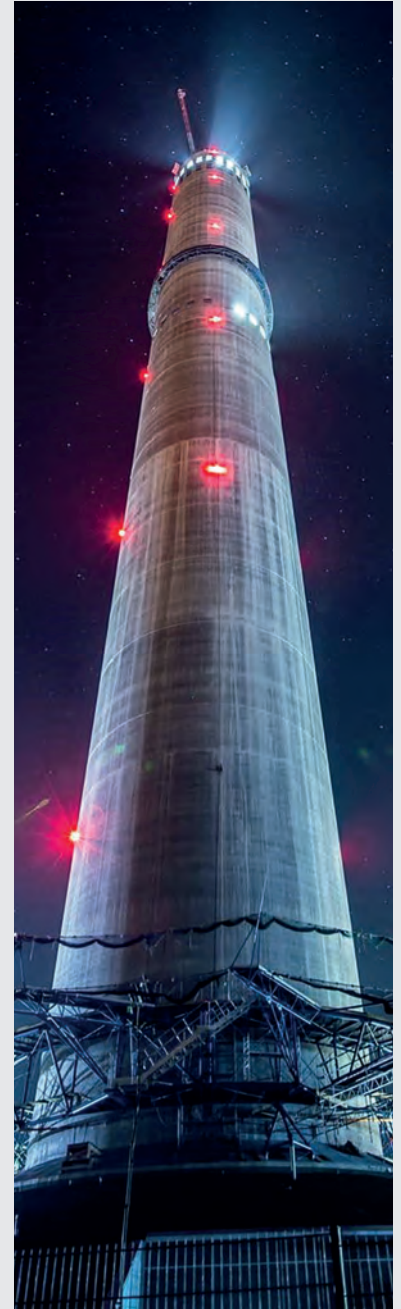
Where are obstacle lights deployed?



- **Germany**: Marking of aviation obstacles by night at any height providing the highest point of the obstacle can be marked.



- **According to ICAO**: Marking of aviation obstacles by night up to 45 m ("Low-intensity Obstacle Light, Type A"), additionally in combination with "medium-intensity obstacle lights"



280 Low-intensity LED Obstruction Light Type A and B



LED Obstruction Light Type B



LED Obstruction Light Type A - The adaptor (accessory) allows quick and simple mounting on a tube



Plastic bracket, adaptor for tube mounting (accessories)

① TECHNICAL SPECIFICATIONS/ORDER SPECIFICATIONS:

Dimensions (Ø x Height):	142 mm x 218 mm
Housing:	PC/ABS-Blend
Lens:	PC, transparent, clear
Connection:	Screw terminal 0.5 - 1.5 mm ²
Cable entry:	Cable diameter 5-7 mm
Fixing:	Base mounting, bracket mounting (accessory), tube mounting (accessory)
Duty cycle:	100 %
Life duration:	Up to 50,000 hrs
Current consumption at failure of 2 of the 12 LED strips:	< 50mA

Low-intensity LED Obstruction Light Type A

Voltage:	12-50 V DC		
Current consumption:	500-100 mA		
aviation red	280 410 55		

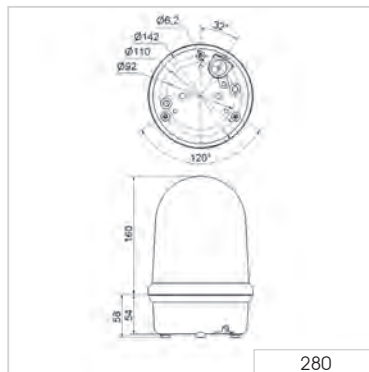
Low-intensity LED Obstruction Light Type B (includes Type A)

Voltage:	24 V DC	230 V AC	230 V AC (with monitoring funct.)
Current consumption:	~ 500 mA	~ 200 mA	~ 200 mA / < 50 mA (Failure mode)
aviation red	280 470 55	280 470 68	280 480 68

✳ ACCESSORIES:

Plastic bracket for wall mounting	975 883 06
Wire guard, only for base mounting	975 883 08
Adaptor for tube mounting	975 883 09

↔ TECHNICAL DIAGRAM:





LED Obstruction Light Type B



LED Obstruction Light Type A

281 Low-intensity LED Obstruction Light Type A and B

① TECHNICAL SPECIFICATIONS/ORDER SPECIFICATIONS:

Dimensions (Ø x Height):	165 mm x 205 mm
Housing:	Aluminium, coloured powder coating
Lens:	Reinforced borosilicate glass
Connection:	Screw terminal 0.5 - 1.5 mm ²
Cable entry:	Cable gland M25 x 1.5 mm (included in assembly), Cable diameter 9-17 mm Reducer unit (included in assembly)
Fixing:	Base mounting, tube mounting M25 (no accessory required)
Life duration:	Up to 50,000 hrs

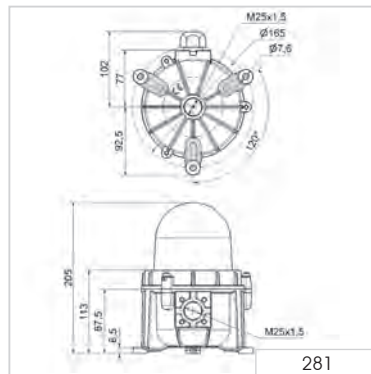
Low-intensity LED Obstruction Light Type A

Voltage:	12-50 V DC		
Current consumption:	500-100 mA		
aviation red	281 410 55		

Low-intensity LED Obstruction Light Type B (includes Type A)

Voltage:	24 V DC	230 V AC	230 V AC (with monitoring funct.)
Current consumption:	~ 500 mA	~ 200 mA	~ 200 mA / < 50 mA (Failure mode)
aviation red	281 470 55	281 470 68	281 480 68

← TECHNICAL DIAGRAM:



Traffic Lights - 890/895/897/894

Your benefits

Signal lights and traffic lights from the 890/895/897/494 range provide reliable signalling, both as single lights or as combined signalling lights.

Modular traffic lights 890 and multi-tone sounder 190:

- Cost-effective LED traffic light with clear lenses
- Easy installation in just a few steps and with any combination of 4 lights

Multi-colour variant (RGY):

- Drastic reduction in number of variants by combining three light colours in a single product – Ideal where space is restricted
- Additional high-output audible signalling of up to 110 dB(A) available in combination with multi-tone sounder/vocal alarm 190

Compact LED traffic light 894 for extreme ambient conditions:

- With high IP65/IP69K protection rating for use in extremely harsh conditions
- The 494 range combines a high-output optical signal with a powerful 90dB siren

Typical applications

- Garages and car parks
- Access control or buildings
- Traffic regulation on construction sites
- Signalling for loading bays
- Car washes/washing areas

Installation options

Modular traffic light 890:

- Direct mounting or bracket mounting of up to 4 lights with fixing bracket

Compact LED traffic light 894:

- Wall mounting and tube mounting with additional adapter

Features

190 Vocal Alarm:

- The vocal alarm enables the high-output playback of spoken messages, music and tones provided in mp3 format



Size comparison Midi/Traffic Lights



Signalisation index	
Optical	
LED Permanent Light 890	7
LED Permanent Light 894	6
Permanent Light (bulb) 890	4
Flashing Light Xenon 890	9
Audible	
Multi-tone 190	8
Vocal alarm 190	7
Siren 494	4



LED Permanent Beacon

LED Traffic Light Combination
with mounting bracket
(accessory)

Clear lenses ensure effective
signalling even in direct sunlight

890 LED Beacon/LED Traffic Light

① TECHNICAL SPECIFICATIONS/ORDER SPECIFICATIONS:

Dimensions (Ø x Height):	150 mm x 154 mm
Housing:	PC/ABS-Blend, grey
Lens:	PC, transparent
Fixing:	Base mounting, bracket mounting (accessory), tube mounting (accessory)
Cable entry:	From top or bottom with cable gland M20 x 1.5 mm or from the back with rubber grommet Ø 6-12 mm, included in assembly.
Colours:	Red, green, yellow
Connection:	CAGE CLAMP® 0.5 - 1.5 mm ²
Installation position:	As required
Life duration:	Up to 50,000 hrs

LED Beacon/LED Traffic Light

Voltage:	12-24 V DC	115-230 V AC
Current consumption:	< 260 mA	< 35 mA
red	890 120 55	890 120 68
green	890 220 55	890 220 68
yellow	890 320 55	890 320 68

LED Permanent Light (RGY)

Voltage:	12-24 V DC	230 V AC
Current consumption:	< 220 mA	< 40 mA
RGY (red, green, yellow)	890 480 55	890 480 68

✂ ACCESSORIES:

FIXING BRACKET

Fixing bracket for one beacon	975 890 33
Fixing bracket for two beacons	975 890 34
Fixing bracket for three beacons	975 890 35
Fixing bracket for four beacons	975 890 37

Mounting material and connecting grommet included in assembly.
Further information can be found on page 142.

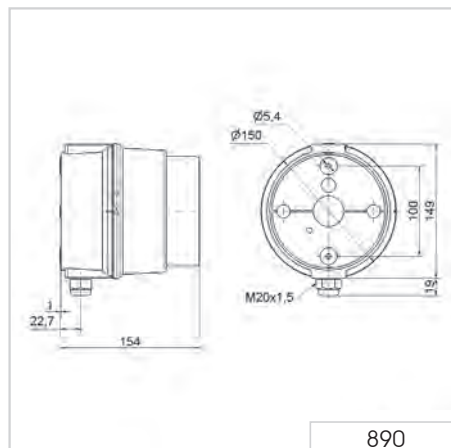
CONNECTING GROMMET

Connecting grommet for traffic light combinations	975 890 25
---	-------------------

! ADDITIONAL INFORMATION:

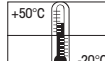
Traffic light configurator at www.werma.com

↔ TECHNICAL DIAGRAM:



Signalisation index

LED Permanent Light **7**



890/190 (LED) Beacon 890/Multi-Tone Sounder 190/Vocal alarm 190 Combination



High-output traffic light combination



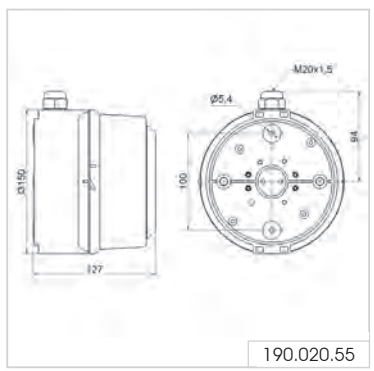
Vocal alarm 190

① TECHNICAL SPECIFICATIONS/ORDER SPECIFICATIONS:			
(LED-)Beacon/Sounder 190/Vocal Alarm 190			
Dimensions (Ø x Height):	150 mm x 154 mm (890) 150 mm x 127 mm (190) 150 mm x 148 mm (Vocal Alarm 190)		
Housing:	PC/ABS-Blend, grey		
Lens:	PC, transparent		
Fixing:	Base mounting, fixing bracket (accessory)		
Cable entry:	From top or bottom with cable gland M20 x 1.5 mm or from the back with rubber grommet Ø 6-12 mm, included in assembly		
Connection:	CAGE CLAMP® 0.5 - 1.5 mm ²		
Vocal Alarm 190			
Sound output:	Adjustable, up to 110 dB		
File Transfer:	Via USB connection and provided software		
Possible data format:	mp3 and wav files		
Number of sequences:	15 files can be remotely triggered or one sequence with max. 50 files		
Suitable for:	Windows®, System requirements - see Handbook		
Assembly:	Vocal alarm, USB connection cable and software		
Multi-Tone Sounder 190			
Voltage:	10-30 V DC	115 V AC	230 V AC
Current consumption:	< 180 mA	< 55 mA	< 30 mA
grey	190 000 55	190 000 67	190 000 68
Vocal Alarm 190			
Voltage:	24 V DC		
Current consumption:	< 500 mA Low Power < 1500 mA High Power		
grey	190 020 55		
LED Beacon 890 see page 136			
Permanent Beacon 890 see page 139			

✂ ACCESSORIES:
Fixing bracket, tube adaptor and connecting grommet see page 140

🎵 TONE TYPES AND FREQUENCIES:
Selectable via DIP switch, see tone table on page 188.

↔ TECHNICAL DIAGRAM:



Signalisation index
LED Permanent Light
Vocal alarm
Multi-tone siren



CE

EAC 969 g IP65 +50°C -30°C (A) 110 dB 32 PLC



895 Permanent Beacon

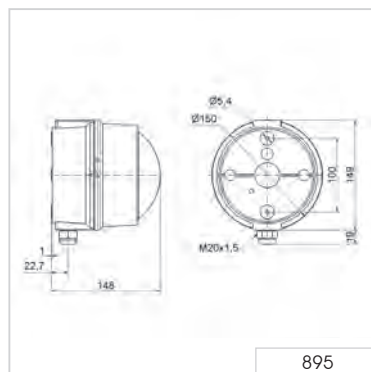
① TECHNICAL SPECIFICATIONS/ORDER SPECIFICATIONS:

Dimensions (Ø x Height):	150 mm x 148 mm
Housing:	PC/ABS-Blend, grey
Lens:	PC, transparent
Socket:	E27 max. 25 W with adhesive stickers E27 max. 15 W
Fixing:	Base mounting, tube mounting and fixing bracket (accessory)
Connection:	Screwed cable gland 0.5 - 1.5 mm ²
Cable entry:	From top or bottom with cable gland M20 x 1.5 mm or from the back with rubber grommet Ø 6-12 mm
Voltage:	12-230 V AC/DC
red	895 100 00
green	895 200 00
yellow	895 300 00
clear	895 400 00
blue	895 500 00
Bulb not included in assembly.	

✂ ACCESSORIES:

Fixing bracket, additional reflector, Bulbs and LED Bulbs, Adhesive Stickers see Permanent/Traffic Light Beacon (page 140).

← TECHNICAL DIAGRAM:



Signalisation index

Permanent Light 4



890 Permanent/Traffic Light



Permanent Beacon



Traffic Light Combination
with mounting bracket
(accessory)

① TECHNICAL SPECIFICATIONS/ORDER SPECIFICATIONS:

Dimensions (Ø x Height):	150 mm x 154 mm
Housing:	PC/ABS-Blend, grey
Lens:	PC, transparent
Socket:	E27 max. 25 W for 890 X00 00 with adhesive stickers E27 max. 15 W
Fixing:	Base mounting, fixing bracket (accessory), tube mounting (accessory)
Connection:	Screwed cable gland 0.5 - 1.5 mm ²
Cable entry:	From top or bottom with cable gland M20 x 1.5 mm or from the back with rubber

PERMANENT BEACON

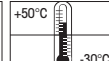
Voltage:	12-230 V AC/DC
red	890 100 00
green	890 200 00
yellow	890 300 00
clear	890 400 00
blue	890 500 00

Further colours and voltages on request.

✂ ACCESSORIES: SEE NEXT PAGE



Signalization index	
Permanent Light	4





Beacon 890 in combination with Multi-Tone Sounder 190 (see page 137)



The adaptor (accessory) allows quick and simple mounting on a tube (Ø 75 mm)



890 with adhesive sticker (accessory)

890 Permanent/Traffic Light Beacon

✂ ACCESSORIES:

FIXING BRACKET

Fixing bracket for one beacon	975 890 33
Fixing bracket for two beacons	975 890 34
Fixing bracket for three beacons	975 890 35
Fixing bracket for four beacons	975 890 37

Mounting material and connecting grommet included in assembly. Further information can be found on page 142.

CONNECTING GROMMET

Connecting grommet for traffic light combinations	975 890 25
---	-------------------

REFLECTOR

Additional reflector for 890 X00 00	975 890 02
-------------------------------------	-------------------

ADAPTER

Tube adapter	975 890 36
--------------	-------------------

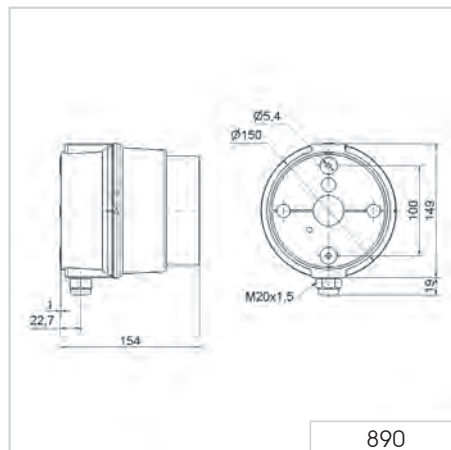
BULBS

LED bulb premium E27, 24 V	956 X20 75
LED bulb premium E27, 115 V	956 X20 67
LED bulb premium E27, 230 V	956 X20 68
For colours see page 143	
LED Bulb E27, 115 V AC, white	956 050 67
LED Bulb E27, 230 V AC, white	956 050 68
LED Bulb E27, 12-24 V AC/AC, white	956 050 75

ADHESIVE STICKERS:

→	975 890 52
STOP	975 890 53
START	975 890 54
⚡	975 890 64
👤	975 890 65

↔ TECHNICAL DIAGRAM:



897 Xenon Double Flash Beacon



① TECHNICAL SPECIFICATIONS/ORDER SPECIFICATIONS:

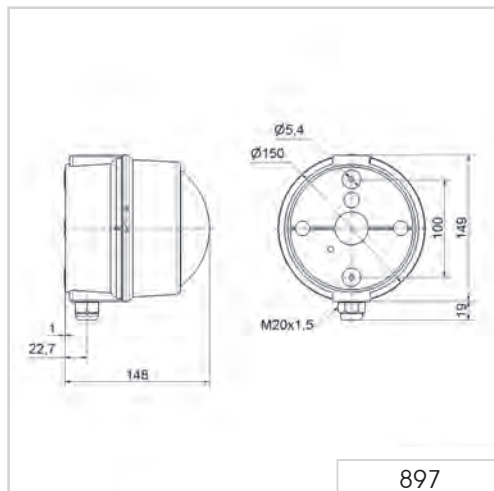
Dimensions (Ø x Height):	150 mm x 148 mm	
Housing:	PC/ABS-Blend, grey	
Lens:	PC, transparent	
Fixing:	Base mounting, tube mounting and fixing bracket (accessory)	
Cable entry:	From top or bottom with cable gland M20 x 1.5 mm or from the back with rubber grommet Ø 6-12 mm	
Connection:	Screw terminal, max. 2.5 mm ²	
Flash frequency:	1 Hz	
Flash energy:	15 Ws	
Life duration:	4 x 10 ⁶ flashes	
Voltage:	24 V DC	230 V AC
Current consumption:	700 mA	200 mA
red	897 100 55	897 100 68
yellow	897 300 55	897 300 68

Further colours and voltages on request.

✂ ACCESSORIES:

Fixing bracket, adhesive stickers see Permanent/Traffic Light Beacon 890 (page 140).

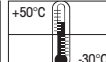
↔ TECHNICAL DIAGRAM:



Signalization index

Xenon Flashing Light

9





Fixing bracket for (LED) Beacons 890 and Multi-Tone Sounder 190



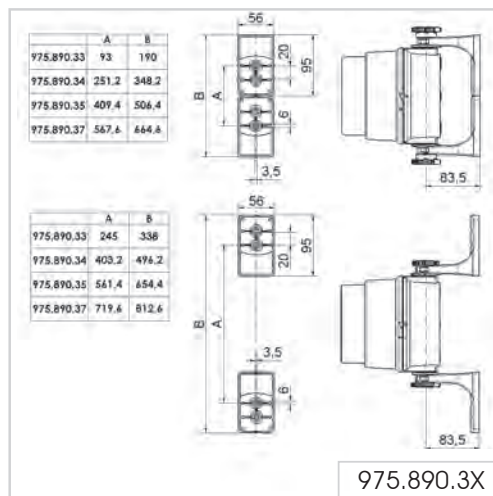
The fixing bracket can be mounted pointing inwards or outwards

890 Fixing bracket for 890/190

① TECHNICAL SPECIFICATIONS/ORDER SPECIFICATIONS:

Material Fixing bracket:	PC/ABS-Blend, grey
Material Connecting Grommet:	PA 6.6
Assembly:	Fixing bracket with mounting material and connecting grommet
Suitable for:	LED Beacon/LED Traffic Light 890 Permanent/Traffic Light Beacon 890 Multi-Tone Sounder 190
Fixing bracket for one beacon	975 890 33
Fixing bracket for two beacons	975 890 34
Fixing bracket for three beacons	975 890 35
Fixing bracket for four beacons	975 890 37

← TECHNICAL DIAGRAM:



1 tier	2 tier	3 tier	4 tier		

956 LED Bulb E27 premium



Suitable for use in
Permanent/Traffic Light
Beacons 890 (see page 139)

① TECHNICAL SPECIFICATIONS/ORDER SPECIFICATIONS:

Socket:	E27		
For use with:	890, 895		
Slight deviations in the form of the bulbs are possible.			
Voltage:	24 V AC/DC	115 V AC	230 V AC
Current consumption:	≤ 20 mA	≤ 30 mA	≤ 20 mA
red	956 120 75	956 120 67	956 120 68
green	956 220 75	956 220 67	956 220 68
yellow	956 320 75	956 320 67	956 320 68





LED Traffic Light (3 tier)



The direction of the optical signal can be individually adjusted



Clear lenses ensure effective signalling even in direct sunlight

894 LED Traffic Light (IP69k)

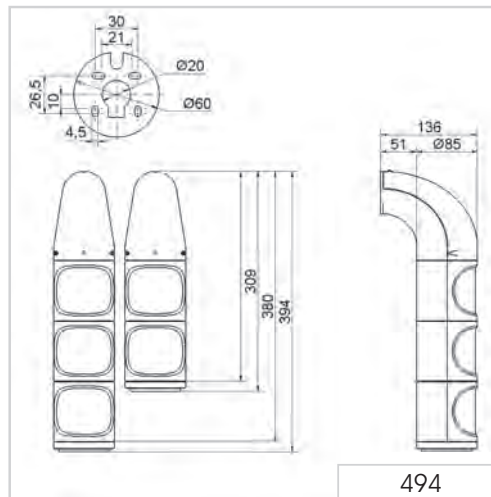
① TECHNICAL SPECIFICATIONS/ORDER SPECIFICATIONS:

Dimensions (Ø x Height):	2 tier: 85 mm x 309 mm x 136 mm 3 tier: 85 mm x 394 mm x 136 mm	
Housing:	PC/ABS, grey	
Lens:	PC, transparent	
Fixing:	Wall mounting, tube mounting (accessory)	
Cable entry:	Cable diameter max. 13 mm	
Connection:	Screw terminal 0.5 - 1.5 mm ²	
Installation position:	Vertical/hanging	
Duty cycle:	100 %	
Life duration:	Up to 50,000 hrs	
Voltage:	24 V DC	115-230 V AC
Current consumption:	60 mA (red/yellow) 120 mA (green)	30 mA per tier at 230 V/50 Hz
red/green	894 160 55	894 160 68
red/yellow/green	894 180 55	894 180 68

✂ ACCESSORIES:

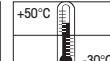
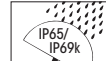
Fixing bracket underneath	975 894 01
---------------------------	-------------------

← TECHNICAL DIAGRAM:



2 tier

3 tier



894 LED Traffic Light (IP69k)

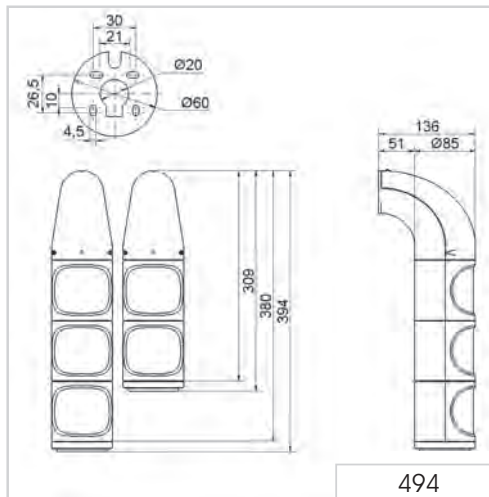


The direction of the optical signal can be individually adjusted

① TECHNICAL SPECIFICATIONS/ORDER SPECIFICATIONS:

Dimensions (Ø x Height):	2 tier: 85 mm x 309 mm x 136 mm 3 tier: 85 mm x 394 mm x 136 mm	
Housing:	PC/ABS, grey	
Lens:	PC, transparent	
Fixing:	Wall mounting, tube mounting (accessory)	
Cable entry:	Cable diameter max. 13 mm	
Connection:	Screw terminal 0.5 - 1.5 mm ²	
Installation position:	Vertical/hanging	
Duty cycle:	100 %	
Life duration:	Up to 50, 000 hrs	
Voltage:	24 V DC	115-230 V AC
Current consumption:	60 mA (red/yellow)	30 mA per tier at 230 V/50 Hz
red/green	894 060 55	894 060 68
red/yellow/green	894 080 55	894 080 68

↔ TECHNICAL DIAGRAM:



Signalization index

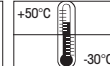
LED Permanent Light 6



2 tier



3 tier



Monitored / Monitorable Beacons for safety applications – 806/826/829 families

Your benefits

For applications where safety is an issue, we recommend WERMA's monitored beacons. These beacons are certified by the TÜV Technical Inspection Agency and can be integrated into the safety assessment of your machinery/plant equipment in accordance with EN 13849-1 and EN 62061.

806 monitorable LED beacons:

- TÜV certified LED light that enables current monitoring
- Approved for muting applications in accordance with IEC 61496-1 and laser applications as per EN 60825-1

829 monitored LED beacons:

- Built-in monitoring electronics with two potential-free outputs; the light thus achieves PL e as per EN 13849-1 and safety category 4
- Approval confirmed by TÜV certificate
- Maintenance-free LED technology

826 monitored beacons:

- Built-in monitoring electronics with two potential-free outputs; the light thus achieves PL e as per EN 13849-1 and safety category 4
- Approval confirmed with a TÜV certificate

Typical applications

Signalling of faults in applications where safety is an issue

- on machinery and plant equipment
- in building service industry

Installation options

- Base mounting
- Bracket mounting with accessories
- Wire guard accessory to protect against mechanical damage

Features

- Further safety-related products are available – or request



Signalisation index	
Optical	
LED Permanent Light	4-5
Permanent Light (bulb)	4

806 Monitorable LED Permanent Beacon



Bracket (accessory)



Accessories

① TECHNICAL SPECIFICATIONS/ORDER SPECIFICATIONS:

Dimensions (Ø x Height):	70 mm x 97 mm
Housing:	Terminal element: PA-GF, high impact Cap: PC
Lens:	PC, transparent
Fixing:	Base mounting, Bracket mounting
Cable entry:	Cable diameter max. 14 mm
Connection:	CAGE CLAMP® technology max. 2.5 mm ²
Duty cycle:	100 %
Current consumption following failure of 3 of the 6 strips:	< 5 mA
Life duration:	Up to 100,000 hrs
Voltage:	24 V DC
Current consumption:	60 mA
yellow	806 350 55
clear	806 450 55

✳ ACCESSORIES:

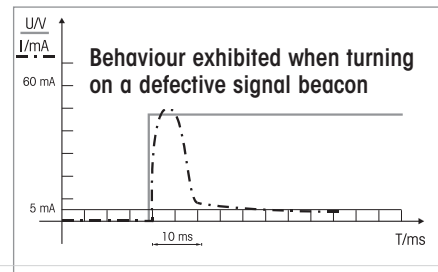
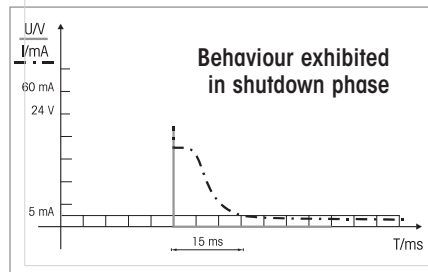
Bracket, including cable gland	960 000 02
Bracket for 1-sided mounting	975 840 85

! ADDITIONAL INFORMATION:

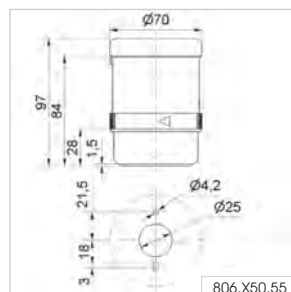
What does Muting mean?

Muting is the temporary automatic overriding of a safety protection device by means of a control system within the normal operating cycle of a machine. This bridging of the safety protection must be visually displayed in order to prevent staff mistakenly entering a dangerous area.

It is therefore necessary that the signal beacon in such applications can be triggered by failsafe technology and the bulb function can be monitored. The standard colour for muting signalisation is clear; yellow is however also permitted.

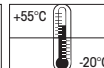
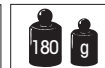


↔ TECHNICAL DIAGRAM:



Signalisation index

LED Permanent Light 4

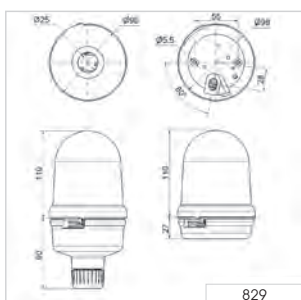




Monitored Permanent Beacon
with long life, maintenance-free
LED technology



Bracket (accessory)



829 Monitored LED Permanent Beacon

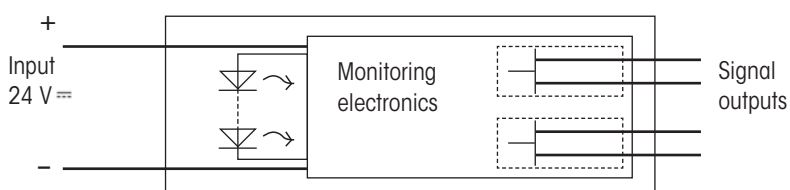
① TECHNICAL SPECIFICATIONS/ORDER SPECIFICATIONS:

Dimensions (Ø x Height):	98 mm x 137 mm
Housing:	PC/ABS-Blend
Lens:	PC, transparent
Fixing:	Base, bracket and tube mounting. Base 975 840 90 must be ordered twice for tube mounting - once as socket for beacon and once as base
Cable entry:	Cable diameter 5-7 mm
Connection:	Screw terminal with wire protection 0.5-1.5 mm ²
Installation position:	Vertical
Cable outlet:	Downwards
Duty cycle:	100 %
Rated voltage:	24 V DC
Input power 24 V DC:	c. 3.5 W
Output current capability:	30 V DC / 100 mA
On state resistance of an output:	Max. 25 Ω
Atmospheric humidity:	≤ 95 % without moisture condensation
Response time, normal operation and with LED failure:	1 ms to 5 ms
in fault cases with safety release:	< 1 s (with short-circuit current ≥ 1 A)
Certification:	EN ISO 13849-1:2008 category 4, Performance Level "e" EN ISO 13849-2:2008 validation
Life duration:	Up to 50,000 hrs
Voltage:	24 V DC
Current consumption:	≤ 150 mA
red	829 170 55
yellow	829 370 55
clear	829 470 55

✂ ACCESSORIES:

Bracket	975 826 05
---------	-------------------

! ADDITIONAL INFORMATION:



Function

The device is equipped with monitoring electronics which signal the current flow of the beacon back to two electrically isolated, potential-free semiconductor outputs A and B (outputs closed).

If the beacon has not been actuated, both outputs are open. In case of a fault at least one output is opened.

↔ TECHNICAL DIAGRAM:

Signalisation index

LED Permanent Light 5



826 Monitored Permanent Beacon



Bracket (accessory)

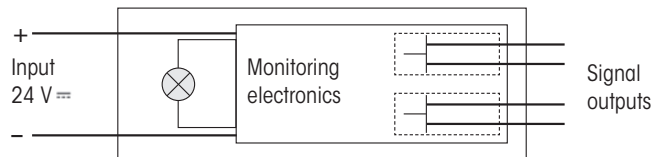


Tube with base (accessory)

① TECHNICAL SPECIFICATIONS/ORDER SPECIFICATIONS:

Dimensions (Ø x Height):	98 mm x 137 mm
Housing:	PC/ABS-Blend
Lens:	PC, transparent
Fixing:	Base, bracket and tube mounting Base 975 840 90 must be ordered twice for base mounting - once as socket for beacon and once as base
Cable entry:	Cable diameter 5-7 mm
Connection:	Screw terminal 0.5 - 1.5 mm ²
Rated voltage:	24 V DC ± 10 %
Input power 24 V AC/DC:	7 W
Bulb BA15d:	7 W/24 V
Output current capability:	30 V DC / 100 mA
On state resistance of an output:	Max. 25 Ω
Fuse for 7 W bulb:	500 mA quick action (IEC 60127-3/3)
Atmospheric humidity:	≤ 95 % without moisture condensation
Response time, normal operation and with filament break:	1 ms to 5 ms
in fault cases with safety release:	< 300 ms (with short-circuit current ≥ 4 A)
Certification:	EN ISO 13849-1:2008 category 4, Performance Level „e“ EN ISO 13849-2:2008 validation
Bulb included in assembly.	
Voltage:	24 V DC
red	826 110 55
yellow	826 310 55
clear	826 410 55

! ADDITIONAL INFORMATION:



Function

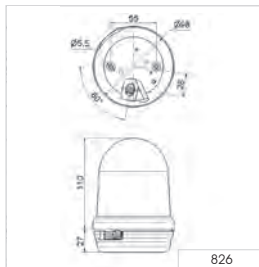
The device is equipped with a lamp monitor which signals the current flow of the incandescent lamp back to two electrically isolated, potential-free semiconductor outputs A and B (outputs closed). If the lamp has not been actuated, both outputs are open. In case of a fault and/or a lamp failure at least one output is opened.

Depending on the safety category, one or two outputs are to be used for a reliable lamp evaluation. In case of an incandescent filament short-circuit in the lamp, the integrated fuse is tripped. It must be replaced by a new fuse in accordance with the specification after the lamp has been replaced by a lamp of equal wattage.

✂ ACCESSORIES:

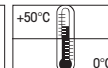
Bulb BA15d, 7 W	955 015 35
-----------------	-------------------

↔ TECHNICAL DIAGRAM:



Signalisation index

Permanent Light (bulb) 4



Ex Signal Beacons

Your benefits

Ex rated beacons from WERMA are designed for use in both gas and dust atmospheres that are potentially explosive.

- Their use in the highest explosion group IIC and IIIC has been tested, which means that they are suitable for all explosion groups in the relevant area
- Easy, customer-friendly connection thanks to "e" connection area
- Various light effects, also with LED technology, for all conceivable application types

Typical applications

Signalling faults and relaying alarms

- in potentially explosive atmospheres resulting from gases and liquids (in the chemical industry, filling lines for flammable liquids, petrochemical industry etc.)
- in potentially explosive atmospheres resulting from dust (in the plastics and metalwork industry, food industry, grain mills and the wood processing industry)

Installation options

- Base mounting
- Bracket mounting (accessory)
- Tube mounting (accessory)

Features

728 / 729:

- Extended Ex temperature range of -50 °C to 50°C is possible with accessories

728 / 729:

- Seawater resistant aluminium housing



Signalisation index	
LED Permanent Light	4
LED Rotating Light	6
LED Flashing Light	6
LED EVS Light	8
Xenon Flashing Light	7

729 Ex LED Permanent Beacon Midi



The maintenance-free LEDs have a life duration of up to 50,000 hours



Additional protection with the robust wire guard (accessory)

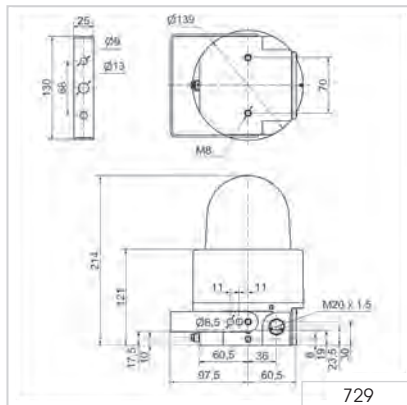
① TECHNICAL SPECIFICATIONS/ORDER SPECIFICATIONS:

Dimensions (Ø x Height):	139 x 214 mm	
Housing:	Black coated aluminium, salt water resistant	
Lens:	Reinforced borosilicate glass	
Connection:	CAGE CLAMP® max. 2.5 mm ²	
Fixing:	Wall, base and ceiling mounting Integrated mounting bracket, stainless steel	
Cable entry:	Cable gland M20 x 1.5 mm Cable diameter 6-13 mm	
Life duration:	Up to 50,000 hrs	
Assembly:	Ex screw plug M20 x 1.5 mm Ex cable gland M20 x 1.5 mm	
Voltage:	24 V DC	115 V/230 V AC
Current consumption:	130 mA	30 mA at 230 V AC
Explosion protection:	ⓧ II 2G Ex d e IIC T6 Gb ⓧ II 2D Ex tb IIC T80°C Db	
Approval:	BVS 11 ATEX E 107 IECEx_BVS_11.0082	
red	729 100 55	729 100 68
yellow	729 300 55	729 300 68

✂ ACCESSORIES:

Ex wire guard, stainless steel	975 729 03
Ex cable gland M20 x 1.5 mm, metal	
To expand the temperature range from -40 °C to -50 °C	975 729 04
Ex screw plug M20 x 1.5 mm	975 729 02
Ex cable gland M20 x 1.5 mm	
For connecting to an additional beacon	975 729 01

↔ TECHNICAL DIAGRAM:



Signalisation index	
LED Permanent Light	4

			<table border="1"> <tr> <td>2 G</td> <td>2 D</td> </tr> <tr> <td>Zone 1 + 2</td> <td>Zone 21 + 22</td> </tr> </table>	2 G	2 D	Zone 1 + 2	Zone 21 + 22	<table border="1"> <tr> <td>2.9 kg</td> </tr> </table>	2.9 kg		<table border="1"> <tr> <td>+50°C</td> <td>-40°C</td> </tr> </table>	+50°C	-40°C
2 G	2 D												
Zone 1 + 2	Zone 21 + 22												
2.9 kg													
+50°C	-40°C												



729 Ex LED Rotating Beacon Midi



Intense rotating signal effect with low power consumption



Innovative solution: The universal mounting bracket (included in assembly)

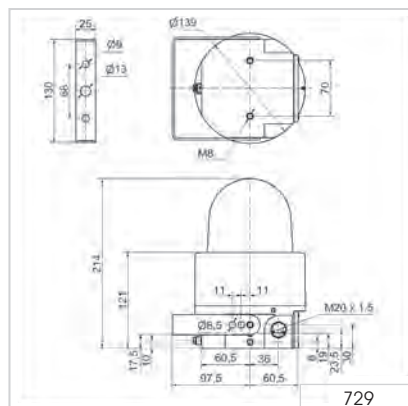
① TECHNICAL SPECIFICATIONS/ORDER SPECIFICATIONS:

Dimensions (Ø x Height):	139 x 214 mm	
Housing:	Black coated aluminium, salt water resistant	
Lens:	Reinforced borosilicate glass	
Connection:	CAGE CLAMP® max. 2.5 mm ²	
Fixing:	Wall, base and ceiling mounting Integrated mounting bracket, stainless steel	
Cable entry:	Cable gland M20 x 1.5 mm Cable diameter 6-13 mm	
Mirror rotation rate:	c. 180 r.p.m.	
Duty cycle:	100 %	
Life duration:	Up to 50,000 hrs	
Assembly:	Ex screw plug M20 x 1.5 mm Ex cable gland M20 x 1.5 mm	
Voltage:	24 V DC	115 V/230 V AC
Current consumption:	< 170 mA	150 mA at 230 V AC
Explosion protection:	ⓧ II 2G Ex d e IIC T6 Gb ⓧ II 2D Ex tb IIIC T80°C Db	ⓧ II 2G Ex d e IIC T5 Gb ⓧ II 2D Ex tb IIIC T95°C Db
Approval:	BVS 11 ATEX E 107 IECEx_BVS_11.0082	BVS 11 ATEX E 107 IECEx_BVS_11.0082
red	729 120 55	729 120 68
yellow	729 320 55	729 320 68

✂ ACCESSORIES:

Ex wire guard, stainless steel	975 729 03
Ex cable gland M20 x 1.5 mm, metal	
To expand the temperature range from -40 °C to -50 °C	975 729 04
Ex screw plug M20 x 1.5 mm	975 729 02
Ex cable gland M20 x 1.5 mm	
For connecting to an additional beacon	975 729 01

← TECHNICAL DIAGRAM:



Signalisation index

LED Rotating Light **6**

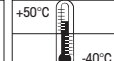


2 G

Zone 1 + 2

2 D

Zone 21 + 22



729 Ex LED Double Flash Beacon Midi



Intense double flash with low power consumption



Additional protection with the robust wire guard (accessory)

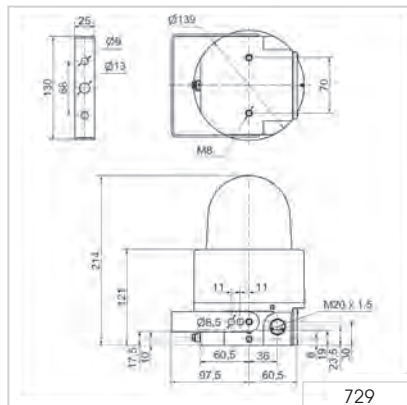
TECHNICAL SPECIFICATIONS/ORDER SPECIFICATIONS:

Dimensions (Ø x Height):	139 x 214 mm	
Housing:	Black coated aluminium, salt water resistant	
Lens:	Reinforced borosilicate glass	
Connection:	CAGE CLAMP® max. 2.5 mm ²	
Fixing:	Wall, base and ceiling mounting Integrated mounting bracket, stainless steel	
Cable entry:	Cable gland M20 x 1.5 mm Cable diameter 6-13 mm	
Assembly:	Ex screw plug M20 x 1.5 mm Ex cable gland M20 x 1.5 mm	
Voltage:	24 V DC	115 V/230 V AC
Current consumption:	< 140 mA	140 mA at 230 V AC
Explosion protection:	ⓧ II 2G Ex d e IIC T6 Gb ⓧ II 2D Ex tb IIIC T80°C Db	ⓧ II 2G Ex d e IIC T5 Gb ⓧ II 2D Ex tb IIIC T95°C Db
Approval:	BVS 11 ATEX E 107 IECEX_BVS_11.0082	BVS 11 ATEX E 107 IECEX_BVS_11.0082
red	729 150 55	729 150 68
yellow	729 350 55	729 350 68

ACCESSORIES:

Ex wire guard, stainless steel	975 729 03
Ex cable gland M20 x 1.5 mm, metal To expand the temperature range from -40 °C to -50 °C	975 729 04
Ex screw plug M20 x 1.5 mm	975 729 02
Ex cable gland M20 x 1.5 mm For connecting to an additional beacon	975 729 01

TECHNICAL DIAGRAM:



Signalisation index	
LED Double Flash	6

2 G	2 D
Zone 1 + 2	Zone 21 + 22



The flickering light of the Ex LED EVS beacon generates an optimal awareness level



Random light signals prevent an acclimatisation effect occurring

729 Ex LED EVS Beacon Midi

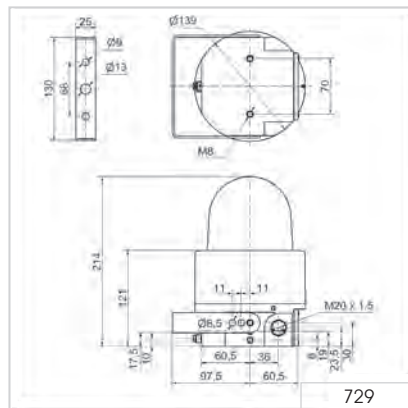
① TECHNICAL SPECIFICATIONS/ORDER SPECIFICATIONS:

Dimensions (Ø x Height):	139 x 214 mm	
Housing:	Black coated aluminium, salt water resistant	
Lens:	Reinforced borosilicate glass	
Connection:	CAGE CLAMP® max. 2.5 mm ²	
Fixing:	Wall, base and ceiling mounting Integrated mounting bracket, stainless steel	
Cable entry:	Cable gland M20 x 1.5 mm Cable diameter 6-13 mm	
Life duration:	Up to 50,000 hrs	
Assembly:	Ex screw plug M20 x 1.5 mm Ex cable gland M20 x 1.5 mm	
Voltage:	24 V DC	115 V/230 V AC
Current consumption:	< 240 mA	140 mA at 230 V AC
Explosion protection:	ⓧ II 2G Ex d e IIC T6 Gb ⓧ II 2D Ex tb IIIC T80°C Db	ⓧ II 2G Ex d e IIC T5 Gb ⓧ II 2D Ex tb IIIC T95°C Db
Approval:	BVS 11 ATEX E 107 IECEX_BVS_11.0082	BVS 11 ATEX E 107 IECEX_BVS_11.0082
red	729 160 55	729 160 68
yellow	729 360 55	729 360 68

✂ ACCESSORIES:

Ex wire guard, stainless steel	975 729 03
Ex cable gland M20 x 1.5 mm, metal To expand the temperature range from -40 °C to -50 °C	975 729 04
Ex screw plug M20 x 1.5 mm	975 729 02
Ex cable gland M20 x 1.5 mm For connecting to an additional beacon	975 729 01

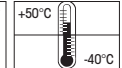
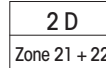
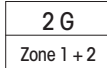
↔ TECHNICAL DIAGRAM:



Signalisation index

LED EVS Light

8



728 Ex Xenon Flashing Beacon Midi



Ex Flashing Beacon for use in gas and dust explosion-endangered areas



Innovative solution: The universal mounting bracket (included in assembly)

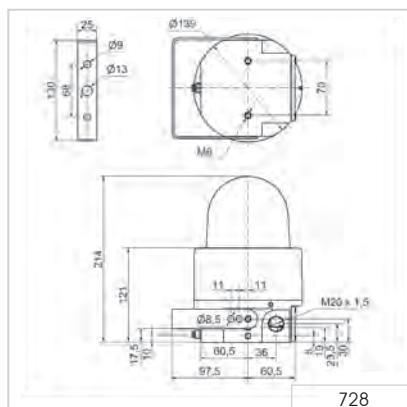
① TECHNICAL SPECIFICATIONS/ORDER SPECIFICATIONS:

Dimensions (Ø x Height):	139 x 214 mm	
Housing:	Black coated aluminium, salt water resistant	
Lens:	Reinforced borosilicate glass	
Connection:	CAGE CLAMP® max. 2.5 mm ²	
Fixing:	Wall, base and ceiling mounting Integrated mounting bracket, stainless steel	
Cable entry:	Cable gland M20 x 1.5 mm Cable diameter 6-13 mm	
Flash energy:	c. 5 Ws	
Flash frequency::	c. 1 Hz	
Life duration:	4 x 10 ⁶ flashes	
Assembly:	Ex screw plug M20 x 1.5 mm Ex cable gland M20 x 1.5 mm	
Voltage:	24 V DC	115 V/230 V AC
Current consumption:	300 mA	150 mA
Explosion protection:	ⓧ II 2G Ex d e IIC T6 Gb ⓧ II 2D Ex tb IIIC T80°C Db	ⓧ II 2G Ex d e IIC T5 Gb ⓧ II 2D Ex tb IIIC T95°C Db
Approval:	BVS 11 ATEX E 107 IECEX_BVS_11.0082	BVS 11 ATEX E 107 IECEX_BVS_11.0082
red	728 100 55	728 100 68
yellow	728 300 55	728 300 68

✦ ACCESSORIES:

Ex wire guard, stainless steel	975 729 03
Ex cable gland M20 x 1.5 mm, metal	
To expand the temperature range from -40 °C to -50 °C	975 729 04
Ex screw plug M20 x 1.5 mm	975 729 02
Ex cable gland M20 x 1.5 mm	
For connecting to an additional beacon	975 729 01

↔ TECHNICAL DIAGRAM:



Signalisation index	
Xenon Flashing Light	7



2 G	2 D
Zone 1 + 2	Zone 21 + 22

