

ENGINEERING CATALOG

Enclosures For Electrical/Electronic Equipment



INDUSTRIAL



COMMERCIAL



... ANY APPLICATION

WIEGMANN®



www.hubbell-wiegmann.com





BCHFTC



N412C



N412SS3PTC



N412CSSST



N412CDSS



SSN4WF3PT



SSN4D3PT

INNOVATIVE THINKING HAS MADE US AN INDUSTRY LEADER.

Wiegmann understands that you have a choice in selecting an enclosure supplier and we are pleased you have selected Wiegmann as your partner. Being a Wiegmann distributor allows us to share our resources to help you grow sales, maintain superior service, showcase new products, minimize transaction costs, and increase profitability.

At Hubbell-Wiegmann, becoming a leader in the Electrical Enclosures Industry didn't happen overnight. We earned this leadership position with over 82 years of extensive experience in manufacturing electrical enclosures for the OEM, Commercial Construction, and MRO markets.

As a tier one manufacturer, Wiegmann is set up to provide a wide variety of materials from carbon steel, galvanized, stainless, aluminum, and painted. Today's customer requires a wide array of special colors; that's why Wiegmann offers (as an option), over 200 special colors "in polyester powder". Whether it's punching, tapping, studs, channel iron, sub floors, weather hoods, special materials and sizes...you name it...WIEGMANN does it!

Wiegmann's tradition of quality, not only apparent in our products, is also recognized in superior operation, reliable performance, and dependable service. This is what distinguishes Wiegmann from the rest of the competition! In today's fast paced lean environment, it's about flexibility, focus, and listening to the customer.

KEY BUSINESS SEGMENTS

HUBBELL ELECTRICAL SYSTEMS

Offering an array of electrical and electronic wiring devices, wire management systems, occupancy sensors and specialized wiring products for the marine and healthcare markets. A comprehensive source of electrical boxes, fittings and enclosures for a variety of world-wide markets including harsh / hazardous location, commercial and residential markets. Innovative solutions for high voltage power supplies and test equipment, heavy duty cable management, industrial, outdoor and hazardous location communications equipment.

OUR BRANDS

Austdac • Bell • Bryant Electric • Burndy • Chalmit Lighting
GAI-Tronics • Gleason Reel Corp • Haefely Test AG
Haefely Test EMC AG • Hawke International • Hipotronics, Inc
Hubbell Industrial Controls • Hubbell Marine Electrical Products
Hubbell Premise Wiring • Hubbell Wiring Device-Kellems
Killark • Pulsecom • RACO • Tettec Instruments • Transtar
Victor Lighting • Wiegmann • Wirecon

HUBBELL LIGHTING

Provides a full range of indoor and outdoor lighting products for commercial, industrial, institutional, sports lighting, landscape and residential markets, including green initiatives for vacancy sensors and daylight harvesting controls.

OUR BRANDS

Alera Lighting • Architectural Area Lighting • Beacon Products
Columbia Lighting • Compass Products • Devine Lighting
Dual-Lite • HomeStyle Lighting • Hubbell Building Automation
Hubbell Industrial Lighting • Hubbell Outdoor Lighting • Kim Lighting
Kurt Versen • Precision-Paragon • Prescolite • Progress Lighting
Security Lighting Systems • Spaulding Lighting
Sportsliter Solutions • Sterner Lighting Systems • Whiteway

HUBBELL POWER SYSTEMS

Providing a broad line of products and components to serve the utility industry and support the infrastructure for transmission and distribution of electrical power throughout the globe.

OUR BRANDS

Anderson • Atlas • CDR • Chance • Chance • Civil
Electro Composites • Fargo Mfg. Company, Inc.
Hubbell Cable Accessories • Hubbell Power Systems
Ohio Brass • PCORE Electric • Polycast • Quazite
USCO Power Switches



SECTION A



NEMA 1 ENCLOSURES

SC Series NEMA 1 Screw Cover Wall-Mount.....A2	N1C Series "Small" NEMA 1 Hinged Wall-Mount.....A8
A Series NEMA 1 Hinge Cover Wall-MountA6	"Medium" NEMA 1 Hinged Wall-MountA10
	"Large" NEMA 1 Hinged Wall-Mount.....A12

SECTION B



NEMA 3R ENCLOSURES

RSC Series NEMA 3R Screw Cover Wall-Mount.....B2	WCT Series NEMA 3R Screw Cover Wall-Mount.....B10
RHC Series "Small" NEMA 3R Hinge Cover Wall-Mount.....B4	CT Series NEMA 3R Single Door Hinge CoverB12
"Medium" NEMA 3R Hinge Cover Wall-Mount.....B6	NEMA 3R Double Door Hinge Cover.....B13
LOH Series NEMA 3R Hinge Cover Wall-MountB8	

SECTION C



NEMA 12 ENCLOSURES

B Series NEMA 12 JIC Lift Off Cover Wall-Mount..C2	WA-WF Series NEMA 12 Two Door Wall-MountC19
B-CH Series NEMA 12 JIC Continuous Hinge Wall-MountC4	WA-FM Series NEMA 12 Single Door Flush Wall-Mount.....C21
Large B-CH Series NEMA 12 JIC Continuous Hinge Wall-MountC6	N12 Series NEMA 12 Two Door Floor-MountC23
B-CHQR Series NEMA 12 JIC Continuous Hinge Quick-Release Wall-Mount.....C8	WA-FS Series NEMA 12 Single Door Freestanding.....C25
B-SC Series NEMA 12 JIC Screw Cover Wall-Mount.C10	WA-FSD Series NEMA 12 Two Door FreestandingC27
WA-GIE Series NEMA 12 JIC Hinged Screw Cover Wall-Mount.....C12	WA-FSDA Series NEMA 12 Single Door Dual Access FreestandingC28
JIC Handy Series NEMA 12 JIC Screw Cover Wall-Mount.C14	WA-FSDAD Series NEMA 12 Two Door Dual Access FreestandingC29
BCHFTC Series (NEMA 12 & 4) JIC Continuous Hinge Wall-MountC15	Freestanding AccessoriesC30
N12 Series NEMA 12 Single Door Wall-Mount.....C16	WA-E Series NEMA 12 Multi-Door Freestanding...C33-36

SECTION D

NEMA 4 ENCLOSURES

**BN4 Series**

NEMA 4 JIC Lift-Off Cover Wall-Mount....D2

BN4-CH SeriesNEMA 4 JIC Continuous Hinged
Wall-MountD4**WA-GSC Series**NEMA 3 & 4 Screw Cover
Moisture ProofD6**BCHFTC Series (NEMA 12 & 4)**

JIC Continuous Hinge Wall-MountC15

N412-C ULTIMATE Series

NEMA 4 & 12 Single Door Wall-MountD8

N412-WC ULTIMATE SeriesNEMA 4 & 12 Single Door with
Window Wall-MountD11**N412-3PTC Series**NEMA 4 Single Door with
3PT Handle.....D14**N412-CST Series**NEMA 4 & 12 Slope Top Single Door
Wall-Mount.....D16**N4 Series**

NEMA 4 Single Door Wall-Mount.....D18

N4D Series

NEMA 4 Floor-Mount.....D20

N4S-FS Series

NEMA 4 Single Door FreestandingD22

N4D-3PT SeriesNEMA 4 Two Door Floor-Mount with
3PT Handle.....D24**WA-FSN43PT Series**NEMA 4 Single Door, Freestanding with
3PT Handle.....D26

SECTION E

STAINLESS STEEL ALUMINUM & NON-METALLIC ENCLOSURES

**PBSS Series**NEMA 4, 4X, 12 & 13 (30.5mm) Pushbutton
Wall-Mount.....E2**PBXD-SS Series**NEMA 4, 4X, 12 & 13 (30.5mm) Pushbutton
Wall-Mount.....E4**BN4-SS Series**

NEMA 4X JIC Clamp Cover Wall-Mount ..E6

BN4-CHSS SeriesNEMA 4X JIC Continuous Hinge
Wall-Mount.....E8**BN4-AL Series**

NEMA 4X Lift-Off Cover Wall-MountE10

BN4-CHAL SeriesNEMA 4X JIC Continuous Hinge
Wall-Mount.....E12**WC-CSS Series**

NEMA 12 Consolet Single Door.....E14

N412-SSC ULTIMATE Series

NEMA 4X Single Door Wall-Mount.....E16

N412-WSSC ULTIMATE SeriesNEMA 4X Single Door With
Window Wall-Mount.....E19**N412-SS3PTC ULTIMATE Series**

NEMA 4X Single Door Wall-Mount.....E21

N412-CSSST ULTIMATE Series

NEMA 4X Slope Top Single Door.....E24

SSN4-WF3PT Series

NEMA 4X Two Door Wall-MountE26

SSN4 Series

NEMA 4X Single Door Wall-Mount.....E28

ALN4 Series

NEMA 4X Single Door Wall-Mount.....E30

SSN4-3PT Series

NEMA 4X Single Door Wall-Mount.....E32

SSN4-3PTW SeriesNEMA 4X Painted White Single Door
Wall-MountE34**SSN4D Series**

NEMA 4X Two Door Floor-MountE36

N4S-FSSS/FSSSA/FSDSS Series

NEMA 4X Single Door Freestanding.....E38

SSN4D-3PT Series

NEMA 4X Two Door Floor-MountE40

WA-SSFSN43PT Series

NEMA 4X Single Door Freestanding.....E42

WA-SSFSDN43PT Series

NEMA 4X Two Door FreestandingE44

Non-Metallic

EnclosuresE50

AccessoriesE77



SECTION F



DISCONNECTS

SDN12, SDN12PL Series NEMA 12 Flanged Single Door DisconnectsF3	WAX-U & WACPX-U Series NEMA 12 Floor-Mount DisconnectsF28
N412CD, N412CDSS, N412CDSSA Series ULTIMATE Flanged Single Door DisconnectsF6	WAX-MU Series (1, 2, 3, 4, 5 Door) NEMA 12 Heavy Duty Freestanding DisconnectsF34
N412CSTD, N412CSSSTD Series ULTIMATE Slope-Top Flanged Single Door DisconnectsF8	WMOD Series NEMA 12 Modular Freestanding DisconnectsF40
SN4 Series NEMA 4 Flanged Single Door DisconnectsF10	WAX-SSN4, WACPX-SSN4 Series NEMA 4X Floor Mount DisconnectsF45
SSN4X Series NEMA 4 Flanged Single Door DisconnectsF12	WAX-MSSN4 Series NEMA 4X Freestanding Single & Double Door DisconnectsF47
ABN12 Series (1494F & 1494D) NEMA 12 Flanged Single Door DisconnectsF23	NEMA 12 Adapter PlatesF61

SECTION G



WIREWAYS & FITTINGS

HS/S Series NEMA 1 Screw Cover/Hinge cover Wireway.....G2	SSJW Series NEMA 4X, 12 Stainless Feed-Through Wireway.....G16
LJW Series NEMA 12 Lay-In WirewayG8	RSCG Series NEMA 3R Wiring Through.....G18
JW Series NEMA 12 Feed-Through WirewayG12	T-CH Series NEMA 12 Hinge Cover Wiring Through...G20

SECTION H



OPERATOR INTERFACE

W1C Series NEMA 12 Consoles.....H2	WPBA Series NEMA 12 Sloping Pushbutton.....H16
WC9 Series NEMA 12 Consoles.....H4	PB Series NEMA 4, 12 30.5mm PushbuttonH18
WC10 Series NEMA 12 Consoles.....H6	PBGX Series NEMA 12 22.5mm PushbuttonH20
WC12 Series NEMA 12 Consoles.....H8	PBXD Series NEMA 4, 12 30.5mm PushbuttonH22
WC14 Series NEMA 12 Consoles.....H10	PSL Series NEMA 12 30.5mm PushbuttonH24
WC-C Series NEMA 12 Consolets.....H12	PBYX Series NEMA 12 30.5mm PushbuttonH26
CCOL & Base Series NEMA 12 PedestalsH14	

SECTION I

BACK PANELS

**P, PG, PSS, PAL Series**

Panels for JIC EnclosuresI2

N1P, N1PPP Series

Panels (Solid & Perforated) for Small NIC & RHC EnclosuresI3

NP, NPG, NPSS, ALNP, NPPP Series

Panels (Solid & Perforated) for NEMA 1, 3R, 12, 4 & 4X Wall-MountsI4

NPC, NPCG, NPSSC Series

Panels for ULTIMATE EnclosuresI5

N1P, N1PPP Series

Panels for Large NIC & RHC EnclosuresI6

NPDD, NPDDG Series

Panels (Solid & Perforated) for Double Door Floor-Mount EnclosuresI7

WA-F1/F2 Series

Panels for Single Door Freestanding EnclosuresI8

WA-F1/F2 Series

Panels for Two Door Freestanding EnclosuresI9

WASP-F3/F4 Series

Swing-Out Panels for Freestanding EnclosuresI10

WA-SMP Series

Side-Mount Panels for Freestanding EnclosuresI11

WA-SOF Series

Swing-Out Racks for Freestanding EnclosuresI12

WA-SOF Series Rack Angles

Accessory Rack Components for Freestanding EnclosuresI13

SECTION J

ACCESSORIES

General

JIC & NEMA Swing-out Panel KitsJ2

Print PocketJ3

Door Stop KitJ3

Folding ShelfJ3

Drip ShieldsJ4

Hole SealsJ4

Window KitsJ5

Mounting FeetJ6

Touch-up PaintJ6

HOLESQUAREJ6

Electrical InterlocksJ7

Interlock DefeaterJ7

Grounding KitJ7

Terminal Kit Assemblies, Blocks and StripsJ8-J9

Floor Stand KitJ10

CastersJ11

Panel SupportsJ11

StabilizersJ11

Adapter PlatesJ12

Relay Rack Angle KitJ12

Locks • Latches • Clip NutJ13-16

Clamp AssembliesJ16

LightingJ17-J18

Vapor, Desiccant PacketsJ19

ULTIMATE Series AccessoriesJ20-J23

SECTION K

ENVIRONMENTAL CONTROL



General Information/Sizing	K2-K3	Micro-Mini Series “NEMA Type 12” Air Conditioners	
MTAB Assembly	K4	1000 BTU Micro Series, Side Mount, N12	K17
Advantage Series “NEMA Type 3R” Air Conditioners		Integrity Series “NEMA Type 4X” Air Conditioners	
2000 BTU “RP17” Series, Side Mount, N3R.....	K6	4000 BTU “32 Series”, Side Mount, N4X.....	K19
3000 BTU “RP28” Series, Side Mount, N3R.....	K7	7000 BTU “38 Series”, Side Mount, N4X.....	K20
4000 BTU “RP33” Series, Side Mount, N3R.....	K8	10000 BTU “47 Series”, Side Mount, N4X.....	K20
6000 BTU “RP36” Series, Side Mount, N3R.....	K9	Compact Top Mount Series, “NEMA TYPE 12” Air Conditioners	
8000 BTU “RP47” Series, Side Mount, N3R.....	K10	4000 BTU “Top Mount Series”, N12...	K21
12000 BTU “RP47” Series, Side Mount, N3R.....	K10	Vortex Coolers	K22
TrimLine Series “NEMA Type 12” Air Conditioners		WPFB/WPFBE Series Filtered Box Fans & Grilles.....	K24/25
2000 BTU “NP17” Series, Side Mount, N12.....	K12	WAAXFN/WAGARD Series Muffin Fans & Finger Guards	K26
4000 BTU “NP28” Series, Side Mount, N12.....	K13	WAVK/WAFLT Series Louver Plate & Filter Kits.....	K27
4000 BTU “NP33” Series, Side Mount, N12.....	K14	EHG Series Radiant Heaters	K29
4000 BTU “NP36” Series, Side Mount, N12.....	K15	WHVL Series Fan Heaters.....	K30
6000 BTU “NP36” Series, Side Mount, N12.....	K15	WCR Series Fan Heaters	K31
7000 BTU “NP47” Series, Side Mount, N12.....	K16	EGL Series Fan Heaters.....	K32
10000 BTU “NP47” Series, Side Mount, N12.....	K16	ETR/ETF/ZR Series Thermostats	K33/34
13000 BTU “NP47” Series, Side Mount, N12.....	K16	WAFMP Series Fan Mounting Plate.....	K36
		1800 Filtered Fan Series Filter Fan/Exhaust Filter/Mats	K37/38
		WPF Series Filterfans™.....	K39/40
		WPFA Series Exhaust Grille & Filter	K41
		WPFG/WPFM/WPG Series Gaskets, Mats & Grilles	K42

SECTION L

TECHNICAL INFORMATION

Enclosure Technical Data	L2	Environmental Control Technical Data	L12
Special Quotations Technical Data	L11	Enclosure Alterations/ Recommendations	L18

SECTION M

NUMERIC INDEX

Enclosure Numeric Index	M1-M21
-------------------------------	--------



When your control needs demand integrity, protect them with the very best enclosure money can buy. Specify Wiegmann®

Today's market segments like wastewater, food processing, petrochemical, green-focussed breweries and mining to name just a few, demand the very best in protection. Wiegmann designs enclosures in accordance to UL/NEMA/CSA standards and builds them to last.

Whether in 304 Stainless, 316L Stainless, Aluminum or Non-Metallic, Wiegmann uses only the best materials to help meet your performance needs - even in the most demanding environments.

One of the largest standard custom and modified product offerings available.

Market segments include:

- Petrochemical
- Mining
- Pulp & Paper Processing
- Food
- Wastewater Treatment
- Steel Mills
- Breweries
- Power Plants
- Conveyors
- Automation
- Machine Tooling
- Automotive
- Original Equipment Manufacturers
- Commercial/Contractor



Position and Protection at your command!

NEMA 4X
NEMA 4
NEMA 12
NEMA 13
NEMA 3R
NEMA 1



NATIONALLY RECOGNIZED

Today, the Hubbell-Wiegmann name has become synonymous with traditional NEMA enclosures, JIC enclosures, Non-Metallic enclosures, Stainless enclosures, Aluminum enclosures and Wireway systems. With over 7,000 different standard products in stock, Wiegmann has one of the most complete Industrial/Commercial enclosure packages in North America.

- A subsidiary of Hubbell, Inc., a diversified \$2.5 billion global manufacturer, with over 12,000 employees in nine countries.
- Automated tier one enclosure manufacturer.
- 100% “USA” based/manufactured enclosures.

WIEGMANN® ADVANTAGES

- 82 years of extensive experience in manufacturing electrical enclosure for the OEM, Commercial Contractor, and MRO markets
- HUBBELL® Owned/Driven
- Aggressive Marketing Programs and Competitive Pricing
- Hubbell Electrical Systems Synergies “set to grow YOUR business”
WIEGMANN® KILLARK® RACO® BRYANT® BELL® & Others
- Full breadth product line...7,000 SKUs
- “KING of Specials” with a Long history of OEM support
- Service Driven “small core group of direct decision makers”
- Distribution loyalty
- Regional and local availability
- Specialists in extreme/corrosive environmental protection, “304 SS, 316L SS and Non-Metallic applications”
- Tier One Quality

THERMAL MANAGEMENT SOLUTIONS

Wiegmann® has always recognized that our customers in the electrical and electronic marketplace need reliable, high quality enclosures and environmental control products to meet their protection requirements. Such requirements today not only mandate NEMA Type 12, 3R, 4 & 4X, but also require a broad mix of BTU & size selections.

Wiegmann is proud to offer those choices via a whole new line of A/C products. They are: Advantage Series, Trim Line Series, Micro-Mini Series, Integrity Series, Top Mount Series and Vortex Cooler® A/C Series.



Integrity Series - NEMA 4/4X

Advantage Series - NEMA 3R

Trimline, Micro-Mine, Top Mount Series - NEMA 12

- Side/top mount
- 1,000 to 13,000 BTUs
- M/Tab template installation
- Closed loop
- CFC-Free refrigerant
- EMI/RFI suppressor
- Reversible condenser blower outlet
- 115/230 volt options

MODIFIED STANDARDS & SPECIALS

Wiegmann® provides a wide range of materials including carbon steel, galvanized, stainless, aluminum and painted. Over 200 special colors “in Polyester Powder” are available.

Wiegmann’s long history of O.E.M. support stems from the cornerstone “SPECIALS” that founded our business. Whether the application requires punching, tapping, studs, channel iron, sub floors, weather hoods or non-standard materials and sizes, Wiegmann® delivers.



Why is Wiegmann® the KING OF SPECIALS?...

- Cost effective manufacturing technologies
- Number one in high volume turn around times
- Dimensional changes don't affect our flexible manufacturing lines
- Select from over 200 standard RAL colors
- Specify special studs, pems, latches, holes, cutouts, barriers, windows and more
- Over 82 years of enclosure experience
- Assisted O.E.M./Customer modified designs

INTRODUCTION - PRODUCT SELECTION GUIDE



STAINLESS STEEL						
						Numbers in () represent total part numbers available within family
PRODUCT LINE	ULTIMATE SERIES SERIES	N4 WALL-MOUNT SERIES	3PT WALL-MOUNT SERIES	JIC SERIES	FREESTANDING SS SERIES	FLOOR MOUNT SS SERIES
	N412SSC (52), N412WSSC (21), N412CSSST (18), N412CSSSTD (5)	SSN4 (76), ALN4 (16), SSN4X (9)	SSN43PT (13), SSN43PTA (13)	BN4SS (8), BN4CHSS (16), BN4CHAL (6)	SSFN43PT (14), SSFSDN43PT (12), UL Pending N4SFSS (3)	SSN4D (5), SSN4D3PT (6)
Size Ranges	12x12x6 to 60x36x12	16x12x6 to 60x36x16	24x20x6 to 36x36x12	4x4x3 to 16x14x6	60x24x18 to 90x72x36	62x48x10 to 74x72x24
Key Features	<ul style="list-style-type: none"> Aesthetic, attractive, sleek design. Accessory driven product line. Larger Sub Panel foot prints (sub panels are optional). Larger tub openings. 	<ul style="list-style-type: none"> Rugged workhorse. Clamps on three sides of door provides for an excellent seal. Padlocking provision. 	<ul style="list-style-type: none"> Rugged workhorse. Simple 3pt latching access. 	<ul style="list-style-type: none"> Single door junction boxes. Hinge cover. Lift off cover. 	<ul style="list-style-type: none"> Versatile NEMA 4X Freestanding. Simple 3pt latching access. Single door. 	<ul style="list-style-type: none"> Floor mounted N4X. Simple 3pt latching or clamp options.
Standard Features	<ul style="list-style-type: none"> Available in 304 or 316L SS Plasma welded seams Removable & interchangeable doors Print Pocket Solid or Plexiglass doors FIP gasket 1/4 turn latches Rear mounting holes 20 Degree sloped top on ST series Smooth #4 pregrained finish. 	<ul style="list-style-type: none"> Available in 304 or 316L SS Available in .080 aluminum Seam welded design Continuous hinge Print Pocket Clamps three sides FIP gasket Hasp & staple (padlocking) External mtg feet top & bottom Optional sub panels Smooth #4 pregrained finish. 	<ul style="list-style-type: none"> Available in 304 or 316L SS Seam welded design Continuous hinge Print Pocket 3pt latching handle FIP gasket External mtg feet top & bottom Optional sub panels Smooth #4 pregrained finish. 	<ul style="list-style-type: none"> Available in 304 or 316L SS Seam welded design Continuous or lift off hinge Clamp secured lid FIP gasket External mtg feet top & bottom Optional sub panels Smooth #4 pregrained finish. 	<ul style="list-style-type: none"> Available in 304 or 316L SS Seam welded design Continuous hinge Print Pocket 3pt latching handle FIP gasket Optional sub panels Lifting eyes Smooth #4 pregrained finish. 	<ul style="list-style-type: none"> Available in 304 or 316L SS Welded 12" high leg kits Seam welded design Continuous hinge Print Pocket 3pt latching handle FIP gasket Optional sub panels Lifting eyes Smooth #4 pregrained finish.
Ratings	NEMA Type 3R, 4, 4X, 12, 13 UL & CSA	NEMA Type 3R, 4, 4X, 12, 13 UL & CSA	NEMA Type 3R, 4, 4X, 12, UL Pending	NEMA Type 3R, 4, 4X, 12, UL & CSA	NEMA Type 3R, 4, 4X, 12, 13 UL	NEMA Type 3R, 4, 4X, 12, UL



MILD STEEL - NEMA 4 - ANSI 61						
						Numbers in () represent total part numbers available within family
PRODUCT LINE	ULTIMATE SERIES	WALL-MOUNT SERIES	3PT WALL-MOUNT SERIES	JIC SERIES	FREESTANDING SERIES	FLOOR MOUNT SERIES
	N412C (46), N412WC (27) N412CST (25),	N4 (40)	N43PT (40) N4123PTC (44)	BN4 (8) BN4CH (10)	FSN43PT (14), FSDN43PT (12), UL Pending N4SFS (3)	N4D (5), N4D3PT (6)
Size Ranges	12x12x6 to 60x36x12	16x12x6 to 60x36x16	24x20x6 to 36x36x12	4x4x3 to 16x14x6	60x24x18 to 72x37x24	62x48x10 to 74x72x24
Key Features	<ul style="list-style-type: none"> Aesthetic, attractive, sleek design. Accessory driven product line. Larger Sub Panel foot prints (sub panels are optional). Larger tub openings. 	<ul style="list-style-type: none"> Rugged workhorse. Clamps on three sides of door provides for an excellent seal. Padlocking provision. 	<ul style="list-style-type: none"> Rugged workhorse. Simple 3pt latching access. 	<ul style="list-style-type: none"> Single door junction boxes. Hinge cover. Lift off cover. 	<ul style="list-style-type: none"> Versatile NEMA 4X Freestanding. Simple 3pt latching access. Single door. 	
Standard Features	<ul style="list-style-type: none"> Concealed hinges Plasma welded seams Removable & interchangeable doors Print Pocket Solid or Plexiglass doors FIP gasket 1/4 turn latches Rear mounting holes 20 Degree sloped top on ST series ANSI 61 polyester powder. 	<ul style="list-style-type: none"> Seam welded design Continuous hinge Print Pocket Clamps three sides FIP gasket Hasp & staple (padlocking) External mtg feet top & bottom Optional sub panels ANSI 61 polyester powder. 	<ul style="list-style-type: none"> Seam welded design Continuous hinge Print Pocket 3pt latching handle FIP gasket External mtg feet top & bottom Optional sub panels ANSI 61 polyester powder. 	<ul style="list-style-type: none"> Seam welded design Continuous or lift off hinge Clamp secured lid FIP gasket External mtg feet top & bottom Optional sub panels ANSI 61 polyester powder. 	<ul style="list-style-type: none"> Seam welded design Continuous hinge Print Pocket 3pt latching handle FIP gasket Optional sub panels Lifting eyes ANSI 61 polyester powder. 	<ul style="list-style-type: none"> Welded 12" high leg kits Seam welded design Continuous hinge Print Pocket 3pt latching handle FIP gasket Optional sub panels Lifting eyes ANSI 61 polyester powder.
Ratings	NEMA Type 3R, 4, 4X, 12, 13 UL & CSA	NEMA Type 3R, 4, 4X, 12, 13 UL & CSA	NEMA Type 3R, 4, 4X, 12, UL, UL Pending on N43PT	NEMA Type 3R, 4, 4X, 12, 13 UL & CSA	NEMA Type 3R, 4, 4X, 12, 13 UL	NEMA Type 3R, 4, 4X, 12, 13 UL

INTRODUCTION - PRODUCT SELECTION GUIDE

xi



MILD STEEL - NEMA 12 - ANSI 61 POLYESTER POWDER						
Numbers in () represent total part numbers available within family						
PRODUCT LINE	JIC SERIES	N12 WALL-MOUNT SERIES	DISCONNECT WALL-MOUNT SERIES	FLOOR MOUNT SERIES	FREESTANDING SERIES	MULTI-DOOR SERIES
	B (14), BCH (22), BCHS (4), BSC (16), WAGIE (11), JIC (3), TCH (32), BCHL (20) BCHQR (7)	N12 (85), WAWF (12), WAFM (5)	SDN12 (32), SDN12PL (31), ABN12 (11), N412CSTD (8), N412CSSSTD (5)	N12 (21)	WAFS (14), WAFSD (12), WAFSDA (8), WAFSDAD (5)	WAME (6)
Size Ranges	4 x 4 x 3 to 16 x 14 x 10	16 x 12 x 6 to 72 x 30 x 16	20 x 21 x 8 to 60 x 38 x 16	54 x 42 x 8 to 72 x 72 x 24	60 x 24 x 18 to 90 x 72 x 36	86 x 112 x 14 to 86 x 187 x 20
Key Features	<ul style="list-style-type: none"> Variety of cover options . 	<ul style="list-style-type: none"> Rugged workhorse. Single or two door options Clamps (single door) 3pt handle (two door) 	<ul style="list-style-type: none"> Disconnects designed to accept most major handle offerings 	<ul style="list-style-type: none"> Large two-door Industrial floor mounts Overlapping doors 3pt keylocking handle Single & dual access 	<ul style="list-style-type: none"> Large two-door Industrial freestandings Overlapping doors 3pt keylocking handle 	<ul style="list-style-type: none"> Heavy duty multi-door 3, 4 & 5 door options
Standard Features	<ul style="list-style-type: none"> Single door junction enclosures Lift off cover Continuous hinge Screw cover Quick release Seam welded construction External mtg feet top & bottom Optional sub panels SS hinge pin ANSI 61 polyester powder 	<ul style="list-style-type: none"> Single door (clamps, hasp & staple) Two door (3pt keylocking handle) Continuous hinge SS hinge pin External mtg feet top & bottom FIP gasket Hasp & staple (padlocking) External mtg feet top & bottom Seam welded construction Optional sub panel FIP (single door) Print pocket ANSI 61 polyester powder 	<ul style="list-style-type: none"> Single door Continuous hinge SS hinge pin External mtg feet top & bottom Optional sub panel FIP (single door) Print pocket ANSI 61 polyester powder 	<ul style="list-style-type: none"> 3pt keylocking handles Two door-overlapping Seam welded construction 12" floor stands Lifting eyes Continuous hinge Print pocket Collar studs for Optional Sub panels ANSI 61 polyester powder 	<ul style="list-style-type: none"> 3pt keylocking handles Single and two door access Seam welded construction Lifting eyes Continuous hinge Print pocket Collar studs for Optional Sub panels ANSI 61 polyester powder 	<ul style="list-style-type: none"> 3pt padlocking handles Seam welded construction Heavy duty continuous hinges Lifting eyes Light mtg channels Print pocket Sub panels installed ANSI 61 polyester powder
Ratings	NEMA Type 12, 13 UL & CSA	NEMA Type 12, 13 UL & CSA	NEMA Type 4, 4X, 12, 13 UL & CSA	NEMA Type 12, 13 UL & CSA	NEMA Type 12, 13 UL & CSA	NEMA Type 12, 13 UL & CSA



MILD/GALVANIZED STEEL - NEMA 1/3R - COMMERCIAL CONTRACTOR						
Numbers in () represent total part numbers available within family						
PRODUCT LINE	SC & A SERIES	N1C SERIES	RSC-RHC-LOH SERIES	WCT-CTSD-DTDD SERIES	WAGSC SERIES	WIREWAY SERIES
	SC (63), SCNK (72), SCG (59), SCGNK (72), ACAB (31)	N1CS (19), N1CLP (27), N1CL(6)	RSC (44), RSCG (44), RHCS (7), RHCM (17), LOH (10)	WCT (5), CTSD (8), CTDD (11)	WAGSC (22), WAGSCG (22)	RSCG (17), RSCGG (17), RSCGNK (17), RSCGNK (17), S (28), SNK (42), HS (28), HSNK (35)
Size Ranges	4 x 4 x 4 to 24 x 36 x 12	6 x 6 x 4 to 48 x 37 x 17	4 x 4 x 4 to 60 x 16 x 12	24 x 24 x 12 to 48 x 48 x 16	8 x 6 x 4 to 36 x 36 x 12	2 1/2" SQ TO 12" SQ
Key Features	<ul style="list-style-type: none"> W/KO, NO/KO options Carbon or Galvanized options Painted or Galvanized ACAB=NOKO/Hinge cover 	<ul style="list-style-type: none"> N1C's available in three different configurations: small, medium Clamps (single door) and large 	<ul style="list-style-type: none"> Three available configurations: Screw Cover (reversible), Hinge Cover (continuous), and Lift Off 	<ul style="list-style-type: none"> Two lid configurations: Screw Cover and Hinge Cover (single/ double door) 	<ul style="list-style-type: none"> Seam Welded Screw Cover Available in Galv (no paint), and C/S (ANSI 61 polyester powder) 	<ul style="list-style-type: none"> Wireway available in Screw Cover and Hinge Cover RSCG trough offered with closed ends and lift off cover
Standard Features	<ul style="list-style-type: none"> Flat removable covers Wall-mounting holes With or without KO's Shrink wrapped Painted = ANSI 61 Polyester Powder Unpainted = Galvanized steel ACAB = Hinge cover/noko/ANSI 61 only 	<ul style="list-style-type: none"> Continuous or butt hinge versions N1CS & N1CLP; w/rear mtg holes N1CL: mtg feet top & bottom With 1/4 turn latches With sub panel mtg provisions (sub panels optional) Grounding provisions ANSI 61 Polyester powder 	<ul style="list-style-type: none"> RSC/RHC With KO's Drip hoods Padlocking provisions (RSC/RHC) w/wall-mounting provisions (sub panels optional) Grounding provisions ANSI 61 polyester powder (LOH) Wall mtg & sub panel provisions optional (RSC) also available in galv only 	<ul style="list-style-type: none"> Single or two door options N3R drip lip or hood Padlocking/meter seal provisions CTSD/CTDD with sub panel mtg provisions (panels optional) Grounding provisions CTSD/CTDD have lift off hinges ANSI 61 Polyester powder 	<ul style="list-style-type: none"> Gasketed screw cover Seam welded tub With captive rivnuts Grounding provisions GALV no pain Carbon steel painted ANSI 61 Polyester powder Painted = ANSI 61 Polyester powder Unpainted = galvanized steel 	<ul style="list-style-type: none"> Screw cover available in NO/KO, c/s painted, or galv no paint Hinge cover available in NO/KO or W/KO (painted only) RSCG is no intended for wireway (designed for btm conduit entry only) S & HS wireway is also complimented by a very deep fittings line (elbows, tees, ends, panel adapter, etc.) Painted = ANSI 61 Polyester powder
Ratings	NEMA Type 1 UL & CSA	NEMA Type 1 UL & CSA	NEMA Type 1, 3R UL & CSA	NEMA Type 12, 13 UL & CSA	NEMA Type 1, 3R, 4 UL & CSA	NEMA Type 1 RSCG = Type 3R UL & CSA



NON-METALLIC/OPERATOR INTERFACE/DISCONNECTS			
PRODUCT	NON-METALLIC	OPERATOR INTERFACE	LARGE DISCONNECTS
			Numbers in () represent total part numbers available within family
			WAX-U (6), WACPX-U (6), WAXM-U (13), WAXM3EW (6), WMODX (6)
Size Ranges	6 X 6 X 4 to 90 x 72 x 36	17 x 19 x 6 to 22 x 24 x 12	60 x 49 x 12 to 90 x 196 x 18
Key Features	<ul style="list-style-type: none"> Fiberglass Reinforced Polyester Excellent chemical and corrosion resistance Multiple cover configurations Screw Cover CH-SC. CH-QR HC-Pull Latch HC-Link Latch 	<ul style="list-style-type: none"> Completely assembled. Available in Cableway or Vertica Series Cable = pivot range only Vertica = vertical and pivotal range 	<ul style="list-style-type: none"> Floor mounted on 15" H legs (2 door) Free standing (single or double door) Multi-door (2, 3, 4 or 5 door)
Standard Features	<ul style="list-style-type: none"> Fiberglass Reinforced Polyester FIP polyurethane gasket Stainless steel hardware Raised brass inserts for mtg Optional sub panels Full 180 degree door opening Optional opaque or clear covers Optional mtg foot kits UV resistant Non-flame propagating Temperature range: -40F to 250F Finish: Gray 	<ul style="list-style-type: none"> Completely assembled HMI's Seam Welded Lift off hinge 1/4 turn latch access Grab handle Stud mtd Alum sub panel incl. Sealed passageways Components secured by hard pins Std. preconfigured cutouts for PanelView, PanelView Plus or VersaView Vertica: counterbalanced Standard ground studs Painted: RAL7035 Textured Gray 	<ul style="list-style-type: none"> 10 gauge Seam welded Continuous hinge 3 pt padlocking vault handles Lifting eyes Light mounting channels Print pocket ANSI 61 <p>On WAX-U and WACPX-U, customer must order sub panels separately.</p>
Ratings	NEMA, UL/cUL & CSA Type 1, 3, 3S, 12, 13, 4X UL & CSA	NEMA, UL Type 4 (4X also available)	NEMA Type 12 UL & CSA



PUSHBUTTONS/WIREWAY/CONSOLES			
PRODUCT	PUSHBUTTONS/CONSOLETS	JW, LJW, C/S & SS WIREWAY	CONSOLES
			Numbers in () represent total part numbers available within family
			W1C (5), WC10 (3), WC12 (6), WC1248 (3), WC14B (13), WC1448 (10), WC9 (2), PB (14), PBBC (14), PBGX (9), PBXD (13), PBYX (10), PSL (4), WPBA (16), WCC (16), WCCSS (16)
			JW (24), SSJW (12), LJW (30) WC1448 (10), WC9 (2)
			W1C (5), WC10 (3), WC12 (6), WC1248 (3), WC14B (13),
Size Ranges	PB's available from 1 to 42 hole	2" sq to 6 x 12 sq.	40 x 24 x 20 to 50 x 60 x 23
Key Features	<ul style="list-style-type: none"> Pushbutton: 22.5 or 30.5 MM options 	<ul style="list-style-type: none"> Pull through Wireway Lay-in Wireway Multiple accessory options 	<ul style="list-style-type: none"> Consoles: Tub/Writing Desk/Top configurations
Standard Features	<ul style="list-style-type: none"> Seam welded construction External mtg feet Captivated cover screws/rivnuts Std '4-way' pb holes Grounding provisions Closed cell neoprene gasket ANSI 61 Polyester Powder 	<ul style="list-style-type: none"> Seam welded construction Hinged covers for quick access LAY-IN or PULL through options Seam welded end flanges Closed cell neoprene gasket Butt hinges Quick release latches on (LJW series) Screw clamp latches on (JW series) ANSI 61 Polyester Powder (LJW/JW) SSJW = grained stainless steel 	<ul style="list-style-type: none"> Multi-optional Tub/Writing Desk/Top configurations Seam welded construction 3pt keylocking handles Continuous hinges, door stops, print pockets Optional sub panels
Ratings	NEMA Type 12, 13 UL/CSA	NEMA Type 12, NEMA 4X Pending UL/CSA	NEMA Type 12, 13 UL/CSA

Section A Index

SC Series

NEMA 1 Screw Cover Wall-MountA2

A Series

NEMA 1 Hinge Cover Wall-MountA6

N1C Series

"Small" NEMA 1 Hinged Wall-MountA8

"Medium" NEMA 1 Hinged Wall-Mount ..A10

"Large" NEMA 1 Hinged Wall-Mount.....A12

NEMA 1 ENCLOSURES



**SC SERIES ENCLOSURES
NEMA 1 SCREW COVER WALL-MOUNT**



SC060604
with SCF cover



SC080806G



SC080806NK

Industry Standards

- UL 50, Type 1
- CSA Certified, Type 1 (See Note)
- NEMA/EEMAC Type 1

UL Files E23553

CSA File LL66078

FEATURES-SPECIFICATIONS

Applications

Designed for use as a junction box and pull box in commercial and general industrial applications. Flush covers must be ordered separately for flush mount applications.

Construction

- Fabricated from 16, 14 and 12 gauge steel or G-90 pre-galvanized steel (reference table)
- Flat, removable covers fastened with plated steel screws

- Cover design permits easy removal without extracting cover screws
- Mounting holes on back of box
- Available with or without knockouts. Removable concentric knockouts on all four sides of standard enclosures with knockouts

Finish

- ANSI-61 gray polyester powder inside and out
- Unpainted pre-galvanized steel

Accessories

- See pages J1-J22

Optional Flush Covers

Designed to mount on enclosure for flush installations. 16 or 14 gauge steel (reference table).

- ANSI 61 gray polyester powder finish.
- Unpainted pre-galvanized steel

SC SERIES SCREW COVER PULL BOX ENCLOSURES								
CATALOG NUMBER				BODY/DOOR STEEL GAUGE	COVERS ONLY See Page A5	ENCLOSURE SIZE H+1/8", W+1/8", D+3/16"	KNOCKOUT PATTERN	
PAINTED		GALVANIZED					WIDTH SIDE	HEIGHT SIDE
W/KNOCKOUTS	W/O KNOCKOUTS	W/KNOCKOUTS	W/O KNOCKOUTS					
SC040404*	SC040404NK*	SC040404G*	SC040404GNK*	16/16	Yes	4.00x4.00x4.00 (102x102x102)	A	A
SC040604*	SC040604NK*	SC040604G*	SC040604GNK*	16/16	Yes	6.00x4.00x4.00 (152x102x102)	A	A-B-A
SC060604	SC060604NK	SC060604G	SC060604GNK	16/16	Yes	6.00x6.00x4.00 (152x152x102)	A-B-A	A-B-A
SC060804	SC060804NK	SC060804G	SC060804GNK	16/16	Yes	8.00x6.00x4.00 (203x152x102)	A-B-A	A-B-A
SC061204	SC061204NK	SC061204G	SC061204GNK	16/16	Yes	12.00x6.00x4.00 (305x152x102)	A-B-A	B-A-F-F-A-B
SC080804	SC080804NK	SC080804G	SC080804GNK	16/16	Yes	8.00x8.00x4.00 (203x203x102)	A-B-A	A-B-A
SC081004	SC081004NK	SC081004G	SC081004GNK	16/16	Yes	10.00x8.00x4.00 (254x203x102)	A-B-A	B-A-F-F-A
SC081204	SC081204NK	SC081204G	SC081204GNK	16/16	Yes	12.00x8.00x4.00 (305x203x102)	A-B-A	B-A-F-F-A-B
SC101004	SC101004NK	SC101004G	SC101004GNK	16/16	Yes	10.00x10.00x4.00 (254x254x102)	B-A-F-F-A	B-A-F-F-A
SC101204	SC101204NK	SC101204G	SC101204GNK	16/16	Yes	12.00x10.00x4.00 (305x254x102)	B-A-F-F-A	B-A-F-F-A-B
SC121204	SC121204NK	SC121204G	SC121204GNK	16/16	Yes	12.00x12.00x4.00 (305x305x102)	B-A-F-F-A-B	B-A-F-F-A-B
SC121504	SC121504NK	SC121504G	SC121504GNK	16/16	Yes	15.00x12.00x4.00 (381x305x102)	B-A-F-F-A-B	A-B-A-F-F-A-B-A

*Not UL Listed.

Continued on page A3

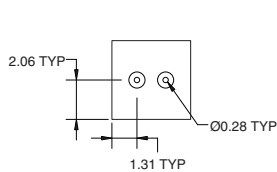
**SC SERIES ENCLOSURES
NEMA 1 SCREW COVER WALL-MOUNT**

SC SERIES SCREW COVER PULL BOX ENCLOSURES (CONT.)								
CATALOG NUMBER				BODY/DOOR STEEL GAUGE	COVERS ONLY See Page A5	ENCLOSURE SIZE H- $\frac{1}{8}$ ", W- $\frac{1}{8}$ ", D- $\frac{3}{16}$ "	KNOCKOUT PATTERN	
PAINTED		GALVANIZED					WIDTH SIDE	HEIGHT SIDE
W/KNOCKOUTS	W/O KNOCKOUTS	W/KNOCKOUTS	W/O KNOCKOUTS					
SC121804	SC121804NK	SC121804G	SC121804GNK	16/16	Yes	18.00x12.00x4.00 (457x305x102)	B-A-F-F-A-B	A-B-A-F-F-A-B-A
SC122404	SC122404NK	SC122404G	SC122404GNK	16/16	Yes	24.00x12.00x4.00 (610x305x102)	B-A-F-F-A-B	A-B-A-F-F-A-B-A
SC151504	SC151504NK	SC151504G	SC151504GNK	16/16	Yes	15.00x15.00x4.00 (381x381x102)	A-B-A-F-F-A-B-A	A-B-A-F-F-A-B-A
SC151804	SC151804NK	SC151804G	SC151804GNK	16/16	Yes	18.00x15.00x4.00 (457x381x102)	A-B-A-F-F-A-B-A	A-B-A-F-F-A-B-A
SC181804	SC181804NK	SC181804G	SC181804GNK	16/16	Yes	18.00x18.00x4.00 (457x457x102)	A-B-A-F-F-A-B-A	A-B-A-F-F-A-B-A
SC182404	SC182404NK	SC182404G	SC182404GNK	16/16	Yes	24.00x18.00x4.00 (610x457x102)	A-B-A-F-F-A-B-A	A-B-A-F-F-A-B-A
SC183004	SC183004NK	SC183004G	SC183004GNK	16/16	Yes	30.00x18.00x4.00 (762x457x102)	A-B-A-F-F-A-B-A	A-B-A-F-F-A-B-A
SC242404	SC242404NK	SC242404G	SC242404GNK	14/14	Yes	24.00x24.00x4.00 (610x610x102)	A-B-A-F-F-A-B-A	A-B-A-F-F-A-B-A
SC060606	SC060606NK	SC060606G	SC060606GNK	16/16	Yes	6.00x6.00x6.00 (152x152x152)	A-B-A	A-B-A
SC060806	SC060806NK	SC060806G	SC060806GNK	16/16	Yes	8.00x6.00x6.00 (203x152x152)	A-B-A	A-B-A
SC061206	SC061206NK	SC061206G	SC061206GNK	16/16	Yes	12.00x6.00x6.00 (305x152x152)	A-B-A	B-A-F-F-A-B
SC080806	SC080806NK	SC080806G	SC080806GNK	16/16	Yes	8.00x8.00x6.00 (203x203x152)	A-B-A	A-B-A
SC081006	SC081006NK	SC081006G	SC081006GNK	16/16	Yes	10.00x8.00x6.00 (254x203x152)	A-B-A	B-A-F-F-A
SC081206	SC081206NK	SC081206G	SC081206GNK	16/16	Yes	12.00x8.00x6.00 (305x203x152)	A-B-A	B-A-F-F-A-B
SC101006	SC101006NK	SC101006G	SC101006GNK	16/16	Yes	10.00x10.00x6.00 (254x254x152)	B-A-F-F-A	B-A-F-F-A
SC101206	SC101206NK	SC101206G	SC101206GNK	16/16	Yes	12.00x10.00x6.00 (305x254x152)	B-A-F-F-A	B-A-F-F-A-B
SC121206	SC121206NK	SC121206G	SC121206GNK	16/16	Yes	12.00x12.00x6.00 (305x305x152)	B-A-F-F-A-B	B-A-F-F-A-B
SC121506	SC121506NK	SC121506G	SC121506GNK	16/16	Yes	15.00x12.00x6.00 (381x305x152)	B-A-F-F-A-B	A-B-A-F-F-A-B-A
SC121806	SC121806NK	SC121806G	SC121806GNK	16/16	Yes	18.00x12.00x6.00 (457x305x152)	B-A-F-F-A-B	A-B-A-F-F-A-B-A
SC122406	SC122406NK	SC122406G	SC122406GNK	16/16	Yes	24.00x12.00x6.00 (610x305x152)	B-A-F-F-A-B	A-B-A-F-F-A-B-A

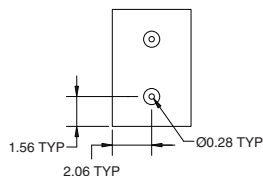
Note: Must specify CSA Label when ordering.
Consult factory for dimensions and drawings
on 8", 10" and 12" deep enclosures.

Note: 8", 10" and 12" deep
enclosures do not have mounting
embosses in back of enclosure,
only mounting holes.

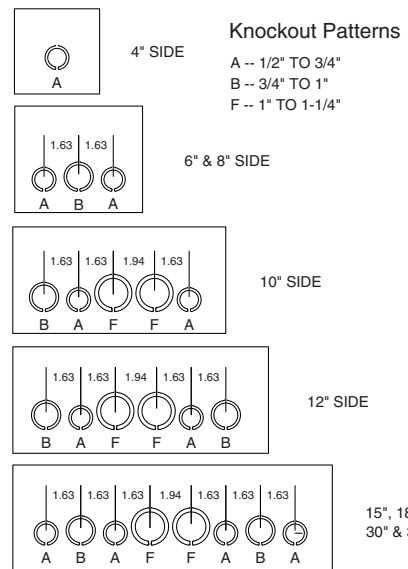
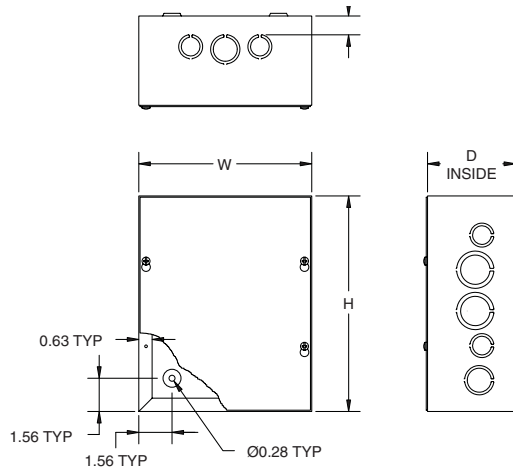
Continued on page A4



4.00" X 4.00" MOUNTING



4.00" X 6.00" MOUNTING



15", 18", 24",
30" & 36" SIDE.

**SC SERIES ENCLOSURES
NEMA 1 SCREW COVER WALL-MOUNT**

SC SERIES SCREW COVER PULL BOX ENCLOSURES (CONT.)								
CATALOG NUMBER				BODY/DOOR STEEL GAUGE	COVERS ONLY See Page A5	ENCLOSURE SIZE H+1/8", W+1/8", D+3/16"	KNOCKOUT PATTERN	
PAINTED		GALVANIZED					WIDTH SIDE	HEIGHT SIDE
W/KNOCKOUTS	W/O KNOCKOUTS	W/KNOCKOUTS	W/O KNOCKOUTS					
SC151506	SC151506NK	SC151506G	SC151506GNK	16/16	Yes	15.00x15.00x6.00 (381x381x152)	A-B-A-F-F-A-B-A	A-B-A-F-F-A-B-A
SC151806	SC151806NK	SC151806G	SC151806GNK	16/16	Yes	18.00x15.00x6.00 (457x381x152)	A-B-A-F-F-A-B-A	A-B-A-F-F-A-B-A
SC181806	SC181806NK	SC181806G	SC181806GNK	16/16	Yes	18.00x18.00x6.00 (457x457x152)	A-B-A-F-F-A-B-A	A-B-A-F-F-A-B-A
SC182406	SC182406NK	SC182406G	SC182406GNK	16/16	Yes	24.00x18.00x6.00 (610x457x152)	A-B-A-F-F-A-B-A	A-B-A-F-F-A-B-A
SC242406	SC242406NK	SC242406G	SC242406GNK	14/14	Yes	24.00x24.00x6.00 (610x610x152)	A-B-A-F-F-A-B-A	A-B-A-F-F-A-B-A
SC243006	SC243006NK	SC243006G	SC243006GNK	14/14	No	30.00x24.00x6.00 (762x610x152)	A-B-A-F-F-A-B-A	A-B-A-F-F-A-B-A
+SC080808	+SC080808NK	+SC080808G	+SC080808GNK	16/16	Yes	8.00x8.00x8.00 (203x203x203)	A-B-A	A-B-A
+SC121208	+SC121208NK	+SC121208G	+SC121208GNK	16/16	Yes	12.00x12.00x8.00 (305x305x203)	B-A-F-F-A-B	B-A-F-F-A-B
+SC121608	+SC121608NK	+SC121608G	+SC121608GNK	16/16	No	16.00x12.00x8.00 (406x305x203)	B-A-F-F-A-B	A-B-A-F-F-A-B-A
+SC121808	+SC121808NK	+SC121808G	+SC121808GNK	16/16	Yes	18.00x12.00x8.00 (457x305x203)	B-A-F-F-A-B	A-B-A-F-F-A-B-A
+SC122408	+SC122408NK	+SC122408G	+SC122408GNK	16/16	Yes	24.00x12.00x8.00 (610x305x203)	B-A-F-F-A-B	A-B-A-F-F-A-B-A
+SC181808	+SC181808NK	+SC181808G	+SC181808GNK	16/16	Yes	18.00x18.00x8.00 (457x457x203)	A-B-A-F-F-A-B-A	A-B-A-F-F-A-B-A
+SC182408	+SC182408NK	+SC182408G	+SC182408GNK	16/16	Yes	24.00x18.00x8.00 (610x457x203)	A-B-A-F-F-A-B-A	A-B-A-F-F-A-B-A
+SC242408	+SC242408NK	+SC242408G	+SC242408GNK	14/14	Yes	24.00x24.00x8.00 (610x610x203)	A-B-A-F-F-A-B-A	A-B-A-F-F-A-B-A
+SC243008	+SC243008NK	+SC243008G	+SC243008GNK	14/14	No	30.00x24.00x8.00 (762x610x203)	A-B-A-F-F-A-B-A	A-B-A-F-F-A-B-A
+SC243608	+SC243608NK	+SC243608G	+SC243608GNK	14/14	No	36.00x24.00x8.00 (914x610x203)	A-B-A-F-F-A-B-A	A-B-A-F-F-A-B-A
—	+SC303008NK	—	+SC303008GNK	12/12	No	30.00x30.00x8.00 (762x762x203)	A-B-A-F-F-A-B-A	A-B-A-F-F-A-B-A
—	+SC303608NK	—	+SC303608GNK	12/12	No	36.00x30.00x8.00 (914x762x203)	A-B-A-F-F-A-B-A	A-B-A-F-F-A-B-A
—	+SC363608NK	—	+SC363608GNK	12/12	No	36.00x36.00x8.00 (914x914x203)	A-B-A-F-F-A-B-A	A-B-A-F-F-A-B-A
+SC121210	+SC121210NK	+SC121210G	+SC121210GNK	16/16	Yes	12.00x12.00x10.00 (305x305x254)	B-A-F-F-A-B	B-A-F-F-A-B
+SC121810	+SC121810NK	+SC121810G	+SC121810GNK	16/16	Yes	18.00x12.00x10.00 (457x305x254)	B-A-F-F-A-B	A-B-A-F-F-A-B-A
+SC122410	+SC122410NK	+SC122410G	+SC122410GNK	16/16	Yes	24.00x12.00x10.00 (610x305x254)	B-A-F-F-A-B	A-B-A-F-F-A-B-A
+SC181810	+SC181810NK	+SC181810G	+SC181810GNK	16/16	Yes	18.00x18.00x10.00 (457x457x254)	A-B-A-F-F-A-B-A	A-B-A-F-F-A-B-A
+SC182410	+SC182410NK	+SC182410G	+SC182410GNK	16/16	Yes	24.00x18.00x10.00 (610x457x254)	A-B-A-F-F-A-B-A	A-B-A-F-F-A-B-A
+SC242410	+SC242410NK	+SC242410G	+SC242410GNK	14/14	Yes	24.00x24.00x10.00 (610x610x254)	A-B-A-F-F-A-B-A	A-B-A-F-F-A-B-A
+SC243010	+SC243010NK	+SC243010G	+SC243010GNK	14/14	No	30.00x24.00x10.00 (762x610x254)	A-B-A-F-F-A-B-A	A-B-A-F-F-A-B-A
—	+SC303010NK	—	+SC303010GNK	12/12	No	30.00x30.00x10.00 (762x762x254)	A-B-A-F-F-A-B-A	A-B-A-F-F-A-B-A
—	+SC303610NK	—	+SC303610GNK	12/12	No	36.00x30.00x10.00 (914x762x254)	A-B-A-F-F-A-B-A	A-B-A-F-F-A-B-A
+SC243610	+SC243610NK	+SC243610G	+SC243610GNK	14/14	No	36.00x24.00x10.00 (914x610x254)	A-B-A-F-F-A-B-A	A-B-A-F-F-A-B-A
—	+SC363610NK	—	+SC363610GNK	12/12	No	36.00x36.00x10.00 (914x914x254)	A-B-A-F-F-A-B-A	A-B-A-F-F-A-B-A
+SC121212	+SC121212NK	+SC121212G	+SC121212GNK	16/16	Yes	12.00x12.00x12.00 (305x305x305)	B-A-F-F-A-B	B-A-F-F-A-B

(+) All products, unless otherwise denoted by a (+), are: H+1/8", W+1/8", D+3/16"

Continued on page A5

SC SERIES ENCLOSURES NEMA 1 SCREW COVER WALL-MOUNT

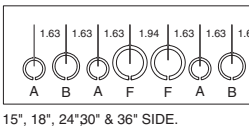
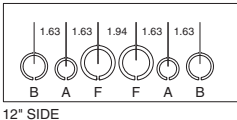
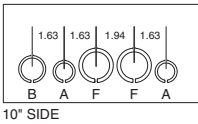
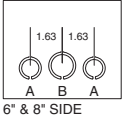
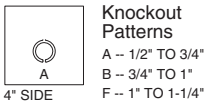
A5

SC SERIES SCREW COVER PULL BOX ENCLOSURES (CONT.)								
CATALOG NUMBER				BODY/DOOR STEEL GAUGE	COVERS ONLY See Chart Below	ENCLOSURE SIZE H+ $\frac{1}{8}$ ", W+ $\frac{1}{8}$ ", D+ $\frac{3}{16}$ "	KNOCKOUT PATTERN	
PAINTED		GALVANIZED					WIDTH SIDE	HEIGHT SIDE
W/KNOCKOUTS	W/O KNOCKOUTS	W/KNOCKOUTS	W/O KNOCKOUTS					
+ SC122412	+ SC122412NK	+ SC122412G	+ SC122412GNK	16/16	Yes	24.00x12.00x12.00 (610x305x305)	B-A-F-F-A-B	A-B-A-F-F-A-B-A
+ SC181812	+ SC181812NK	+ SC181812G	+ SC181812GNK	16/16	Yes	18.00x18.00x12.00 (457x457x305)	A-B-A-F-F-A-B-A	A-B-A-F-F-A-B-A
+ SC182412	+ SC182412NK	+ SC182412G	+ SC182412GNK	16/16	Yes	24.00x18.00x12.00 (610x457x305)	A-B-A-F-F-A-B-A	A-B-A-F-F-A-B-A
+ SC242412	+ SC242412NK	+ SC242412G	+ SC242412GNK	14/14	Yes	24.00x24.00x12.00 (610x610x305)	A-B-A-F-F-A-B-A	A-B-A-F-F-A-B-A
+ SC243012	+ SC243012NK	+ SC243012G	+ SC243012GNK	14/14	No	30.00x24.00x12.00 (762x610x305)	A-B-A-F-F-A-B-A	A-B-A-F-F-A-B-A
+ SC243612	+ SC243612NK	+ SC243612G	+ SC243612GNK	14/14	No	36.00x24.00x12.00 (914x610x305)	A-B-A-F-F-A-B-A	A-B-A-F-F-A-B-A
—	+ SC303012NK	—	+ SC303012GNK	12/12	No	30.00x30.00x12.00 (762x762x305)	A-B-A-F-F-A-B-A	A-B-A-F-F-A-B-A
—	+ SC303612NK	—	+ SC303612GNK	12/12	No	36.00x30.00x12.00 (914x762x305)	A-B-A-F-F-A-B-A	A-B-A-F-F-A-B-A
—	+ SC363612NK	—	+ SC363612GNK	12/12	No	36.00x36.00x12.00 (914x914x305)	A-B-A-F-F-A-B-A	A-B-A-F-F-A-B-A

(+) All products, unless otherwise denoted by a (+), are: H+1/8", W+1/8", D+3/16"

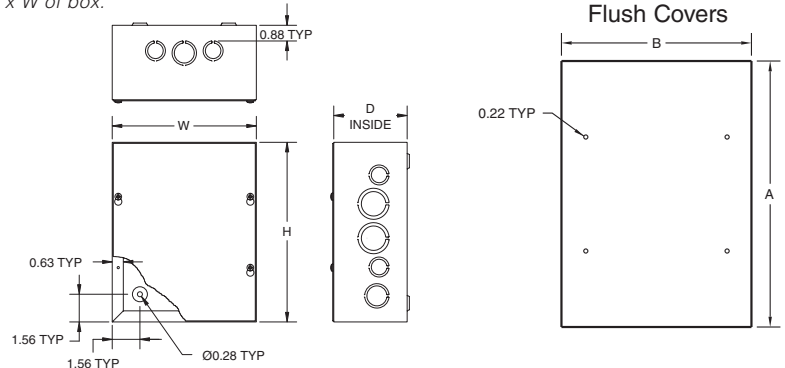
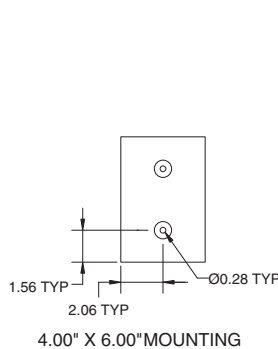
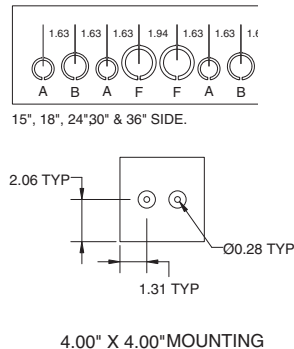
Note: Must specify CSA Label when ordering. Consult factory for dimensions and drawings on 8", 10" and 12" deep enclosures.

Note: 8", 10" and 12" deep enclosures do not have mounting embosses in back of enclosure, only mounting holes.



SURFACE & FLUSH COVERS ONLY				FLUSH COVER SIZE A X B	FOR BOX SIZE H X W**
SURFACE PNTD.	SURFACE GALV.	FLUSH PAINTED	FLUSH GALV.		
SC0404	SC0404G	SCF0404	SCF0404G	6.00x6.00 (152x152)	4.00x4.00 (102x102)
SC0406	SC0406G	SCF0406	SCF0406G	8.00x6.00 (203x152)	6.00x4.00 (102x102)
SC0606	SC0606G	SCF0606	SCG0606G	8.00x8.00 (203x203)	6.00x6.00 (152x152)
SC0608	SC0608G	SCF0608	SCF0608G	10.00x8.00 (254x203)	8.00x6.00 (203x152)
SC0612	SC0612G	SCF0612	SCF0612G	14.00x8.00 (356x203)	12.00x6.00 (305x152)
SC0808	SC0808G	SCF0808	SCF0808G	10.00x10.00 (254x254)	8.00x8.00 (203x203)
SC0810	SC0810G	SCF0810	SCF0810G	12.00x10.00 (305x254)	10.00x8.00 (254x203)
SC0812	SC0812G	SCF0812	SCF0812G	14.00x10.00 (356x254)	12.00x8.00 (305x203)
SC1010	SC1010G	SCF1010	SCF1010G	12.00x12.00 (305x305)	10.00x10.00 (254x254)
SC1012	SC1012G	SCF1012	SCF1012G	14.00x12.00 (356x305)	12.00x10.00 (305x254)
SC1212	SC1212G	SCF1212	SCF1212G	14.00x14.00 (356x356)	12.00x12.00 (305x305)
SC1215	SC1215G	SCF1215	SCF1215G	17.00x14.00 (432x356)	15.00x12.00 (381x305)
SC1216	SC1216G	SCF1216	SCF1216G	18.00x14.00 (457x356)	16.00x12.00 (406x305)
SC1218	SC1218G	SCF1218	SCF1218G	20.00x14.00 (508x356)	18.00x12.00 (457x305)
SC1224	SC1224G	SCF1224	SCF1224G	26.00x14.00 (660x356)	24.00x12.00 (610x305)
SC1515	SC1515G	SCF1515	SCF1515G	17.00x17.00 (432x432)	15.00x15.00 (381x381)
SC1518	SC1518G	SCF1518	SCF1518G	20.00x17.00 (508x432)	18.00x15.00 (457x381)
SC1616	SC1616G	SCF1616	SCF1616G	18.00x18.00 (457x457)	16.00x16.00 (406x406)
SC1818	SC1818G	SCF1818	SCF1818G	20.00x20.00 (508x508)	18.00x18.00 (457x457)
SC1824	SC1824G	SCF1824	SCF1824G	26.00x20.00 (660x508)	24.00x18.00 (610x457)
SC1830	SC1830G	SCF1830	SCF1830G	32.00x20.00 (813x508)	30.00x18.00 (762x457)
SC2424	SC2424G	SCF2424	SCF2424G	26.00x26.00 (660x660)	24.00x24.00 (610x610)

**Surface covers are same size as H x W of box.





A080804

Industry Standards
UL 50, Type 1
CSA Certified, Type 1
NEMA/EEMAC Type 1



FEATURES-SPECIFICATIONS

Applications

Designed for use as surface-mounted junction box, service box, switch box and cutout box.

Construction

- Bodies and doors fabricated from 16 or 14 gauge steel
- 3" depth boxes furnished with formed steel hinge non removable cover. 4" and 6" depth boxes furnished with clamp style hinges allowing for removable/replaceable covers
- Various sizes of removable concentric knockouts are furnished on all four sides of standard cutout boxes
- Mounting holes on back of box

Finish

- ANSI-61 gray polyester powder inside and out

Accessories

- See pages J1-J22

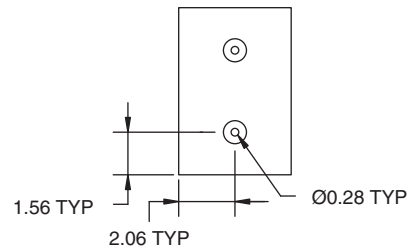
A SERIES HINGE COVER ENCLOSURES				
CATALOG NUMBER	BODY/DOOR STEEL GAUGE	ENCLOSURE SIZE H+1/8", W+1/8", D+3/16"	KNOCKOUT PATTERNS	
			WIDTH SIDE	HEIGHT SIDE
+A040503	16/16	5.00x4.50x3.00 (127x114x76)	A-A	A-A
+A060603	16/16	6.00x6.00x3.00 (152x152x76)	A-B-A	A-B-A
A040604	16/16	6.00x4.00x4.00 (152x102x102)	A-A	A-B-A
A060604	16/16	6.00x6.00x4.00 (152x152x102)	A-B-A	A-B-A
A060804	16/16	8.00x6.00x4.00 (203x152x102)	A-B-A	A-B-A
A080804	16/16	8.00x8.00x4.00 (203x203x102)	A-B-A	A-B-A
A081004	16/16	10.00x8.00x4.00 (254x203x102)	A-B-A	B-A-F-F-A
A081204	16/16	12.00x8.00x4.00 (305x203x102)	A-B-A	B-A-F-F-A-B
A101004	16/16	10.00x10.00x4.00 (254x254x102)	B-A-F-F-A	B-A-F-F-A
A101204	16/16	12.00x10.00x4.00 (305x254x102)	B-A-F-F-A	B-A-F-F-A-B
A121204	16/16	12.00x12.00x4.00 (305x305x102)	B-A-F-F-A-B	B-A-F-F-A-B
A121504	16/16	15.00x12.00x4.00 (381x305x102)	B-A-F-F-A-B	A-B-A-F-F-A-B-A
A121604	16/16	16.00x12.00x4.00 (406x305x102)	B-A-F-F-A-B	A-B-A-F-F-A-B-A
A121804	16/16	18.00x12.00x4.00 (457x305x102)	B-A-F-F-A-B	A-B-A-F-F-A-B-A
A151804	16/16	18.00x15.00x4.00 (457x381x102)	A-B-A-F-F-A-B-A	A-B-A-F-F-A-B-A
A060606	16/16	6.00x6.00x6.00 (152x152x152)	A-B-A	A-B-A
A080806	16/16	8.00x8.00x6.00 (203x203x152)	A-B-A	A-B-A
A081006	16/16	10.00x8.00x6.00 (254x203x152)	A-B-A	B-A-F-F-A
A101006	16/16	10.00x10.00x6.00 (254x254x152)	B-A-F-F-A	B-A-F-F-A
A101206	16/16	12.00x10.00x6.00 (305x254x152)	B-A-F-F-A	B-A-F-F-A-B
A121206	16/16	12.00x12.00x6.00 (305x305x152)	B-A-F-F-A-B	B-A-F-F-A-B
A121606	16/16	16.00x12.00x6.00 (406x305x152)	B-A-F-F-A-B	A-B-A-F-F-A-B-A
A121806	16/16	18.00x12.00x6.00 (457x305x152)	B-A-F-F-A-B	A-B-A-F-F-A-B-A
A151506	16/16	15.00x15.00x6.00 (381x381x152)	A-B-A-F-F-A-B-A	A-B-A-F-F-A-B-A
A161606	16/16	16.00x16.00x6.00 (406x406x152)	A-B-A-F-F-A-B-A	A-B-A-F-F-A-B-A
A181806	16/16	18.00x18.00x6.00 (457x457x152)	A-B-A-F-F-A-B-A	A-B-A-F-F-A-B-A
A182406	14/14	24.00x18.00x6.00 (610x457x152)	A-B-A-F-F-A-B-A	A-B-A-F-F-A-B-A
A242406	14/14	24.00x24.00x6.00 (610x610x152)	A-B-A-F-F-A-B-A	A-B-A-F-F-A-B-A
A243006	14/14	30.00x24.00x6.00 (762x610x152)	A-B-A-F-F-A-B-A	A-B-A-F-F-A-B-A
A243606	14/14	36.00x24.00x6.00 (914x610x152)	A-B-A-F-F-A-B-A	A-B-A-F-F-A-B-A
+A243608	14/14	36.00x24.00x8.00 (914x610x203)	A-B-A-F-F-A-B-A	A-B-A-F-F-A-B-A

NOTE: Must specify CSA Label when ordering.

(+) All products, unless otherwise denoted by a (+), are: H+1/8", W+1/8", D+3/16"

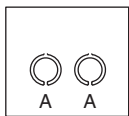
NOTE: 8" deep enclosures do not have mounting embosses in back of enclosure, only mounting holes.

NOTE: Second numerical value of catalog # represents height.



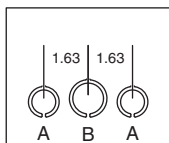
4.00" X 6.00" MOUNTING

Knockout Patterns

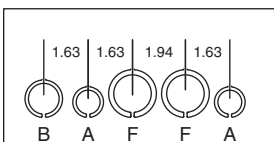


4-1/2" & 5" SIDE

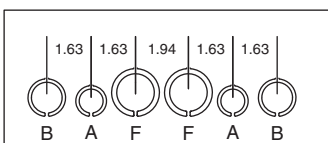
A -- 1/2" TO 3/4"
B -- 3/4" TO 1"
F -- 1" TO 1-1/4"



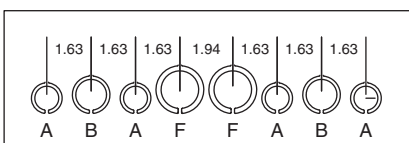
6" & 8" SIDE



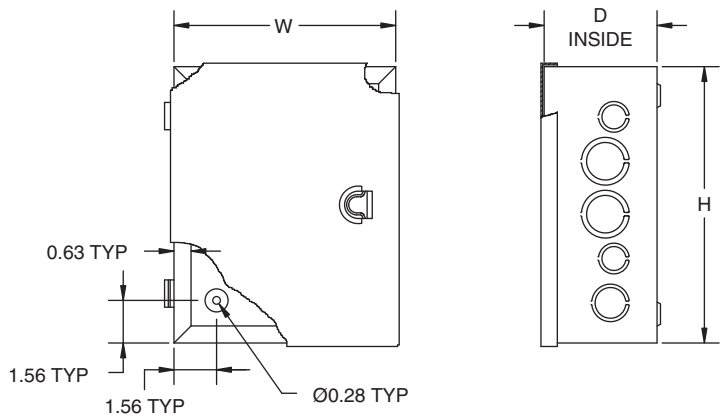
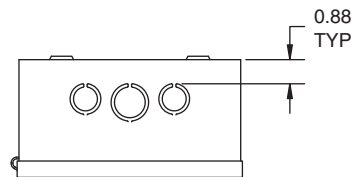
10" SIDE



12" SIDE



15", 16", 18", 24"
30" & 36" SIDE.



N1C SERIES ENCLOSURES "SMALL" NEMA 1 HINGED WALL-MOUNT



N1C060604

Industry Standards

UL 50, Type 1

CSA Certified, Type 1

NEMA/EEMAC Type 1

 UL Files E6924

 CSA File LL66078

FEATURES-SPECIFICATIONS

Applications

Designed for use as control enclosures and instrument cases in areas not requiring oil-tight and dust-tight specifications.

Construction

- Bodies and doors fabricated from 14 gauge steel (reference tables)
- Continuous hinged covers
- Mounting holes on back of cabinet
- Grounding provisions provided

- Doors furnished standard with flushmount quarter-turn style latch
- Weldnuts provided for mounting optional back panels

Finish

- ANSI-61 gray polyester powder inside and out
- Optional back panels are white polyester powder

- Optional perforated panels are painted white polyester powder

Accessories

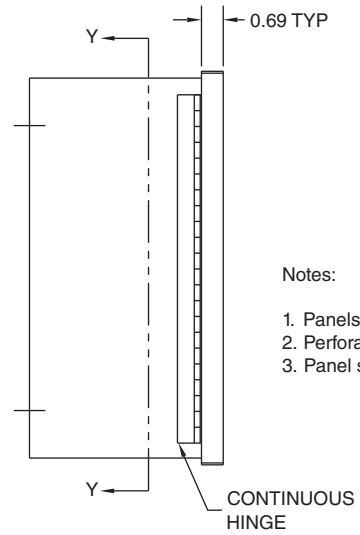
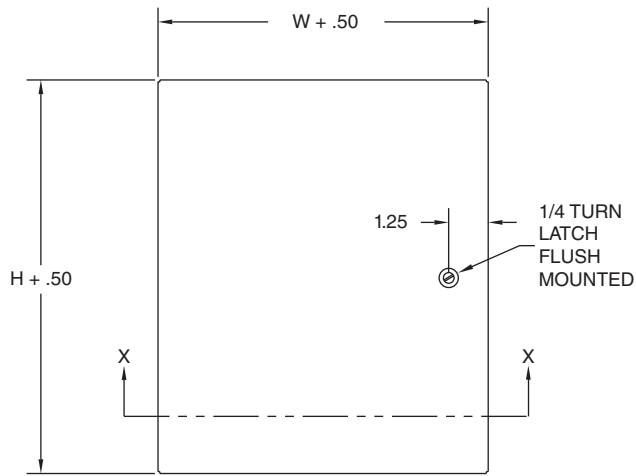
- Back panels (reference tables) and page I3
- Cylinder lock kit
- See pages J1-J22

"SMALL" N1C SERIES HINGE COVER ENCLOSURES						
CATALOG NUMBER	BODY/DOOR STEEL GAUGE	ENCLOSURE SIZE H+ $\frac{1}{8}$ ", W+ $\frac{1}{8}$ ", D+ $\frac{3}{16}$ "	BACK PANEL CATALOG NUMBER*		BACK PANEL STEEL GAUGE	BACK PANEL SIZE A X B
			PAINTED	PERFORATED		
N1C060604	14/14	6.00x6.00x4.00 (152x152x102)	N1P0606	N1P0606PP	14	4.25x4.25 (108x108)
N1C060804	14/14	8.00x6.00x4.00 (203x152x102)	N1P0608	N1P0608PP	14	6.25x4.25 (159x108)
N1C080804	14/14	8.00x8.00x4.00 (203x203x102)	N1P0808	N1P0808PP	14	6.25x6.25 (159x159)
N1C081004	14/14	10.00x8.00x4.00 (254x203x102)	N1P0810	N1P0810PP	14	8.25x6.25 (210x159)
N1C101004	14/14	10.00x10.00x4.00 (254x254x102)	N1P1010	N1P1010PP	14	8.25x8.25 (210x210)
N1C101204	14/14	12.00x10.00x4.00 (305x254x102)	N1P1012	N1P1012PP	14	10.25x8.25 (260x210)
N1C121204	14/14	12.00x12.00x4.00 (305x305x102)	N1P1212	N1P1212PP	14	10.25x10.25 (260x260)
N1C121404	14/14	14.00x12.00x4.00 (356x305x102)	N1P1214	N1P1214PP	14	12.25x10.25 (311x260)
N1C060806	14/14	8.00x6.00x6.00 (203x152x152)	N1P0608	N1P0608PP	14	6.25x4.25 (159x108)
N1C080806	14/14	8.00x8.00x6.00 (203x203x152)	N1P0808	N1P0808PP	14	6.25x6.25 (159x159)
N1C081006	14/14	10.00x8.00x6.00 (254x203x152)	N1P0810	N1P0810PP	14	8.25x6.25 (210x159)
N1C101006	14/14	10.00x10.00x6.00 (254x254x152)	N1P1010	N1P1010PP	14	8.25x8.25 (210x210)
N1C101206	14/14	12.00x10.00x6.00 (305x254x152)	N1P1012	N1P1012PP	14	10.25x8.25 (260x210)
N1C121206	14/14	12.00x12.00x6.00 (305x305x152)	N1P1212	N1P1212PP	14	10.25x10.25 (260x260)
N1C121406	14/14	14.00x12.00x6.00 (356x305x152)	N1P1214	N1P1214PP	14	12.25x10.25 (311x260)
N1C121606S	14/14	16.00x12.00x6.00 (406x305x152)	N1P1216	N1P1216PP	14	14.25x10.25 (362x260)
N1C122006	14/14	20.00x12.00x6.00 (508x305x152)	N1P1220	N1P1220PP	14	18.25x10.25 (464x260)
+ N1C121208	14/14	12.00x12.00x8.00 (305x305x203)	N1P1212	N1P1212PP	14	10.25x10.25 (260x260)
+ N1C121408	14/14	14.00x12.00x8.00 (356x305x203)	N1P1214	N1P1214PP	14	12.25x10.25 (311x260)

*Back panels must be ordered separately

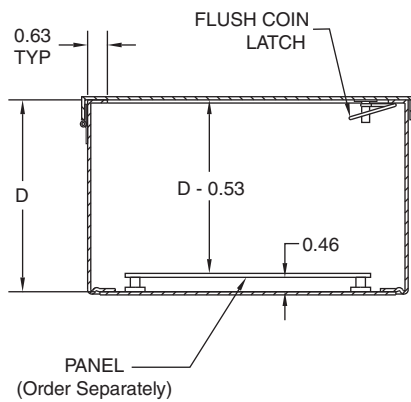
(+) All products, unless otherwise denoted by a (+), are: H+1/8", W+1/8", D+3/16"

NOTE: Second numerical value of catalog # represents height.

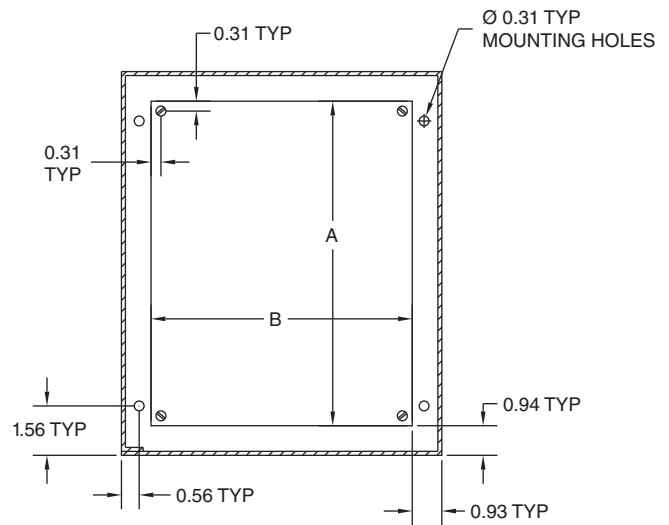


Notes:

1. Panels are 14 Ga. steel or
2. Perforated = 16 Ga. steel.
3. Panel screws are #10-32.



SECTION X-X



SECTION Y-Y



N1C161606LP

Industry Standards

UL 50, Type 1

CSA Certified, Type 1

NEMA/EEMAC Type 1

UL File E6924

CSA File LL66078

FEATURES-SPECIFICATIONS

Applications

Designed for use in control and instrumentation applications in areas which do not require oil-tight and dust-tight specifications.

Construction

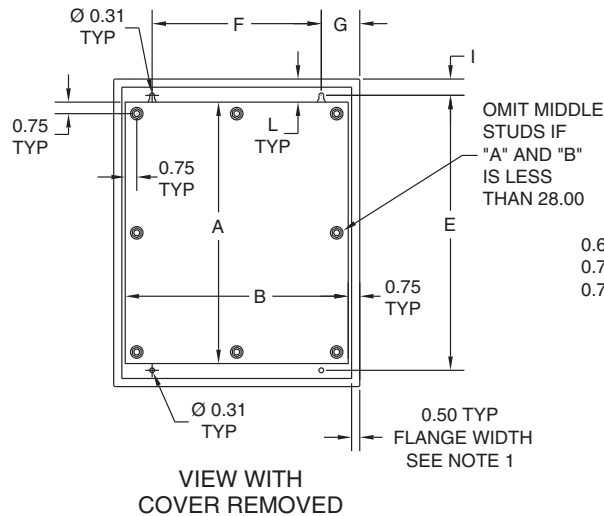
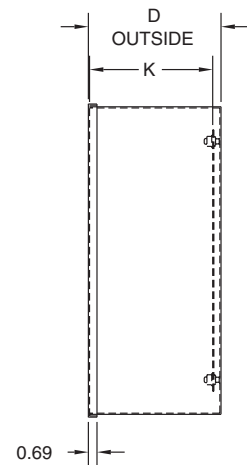
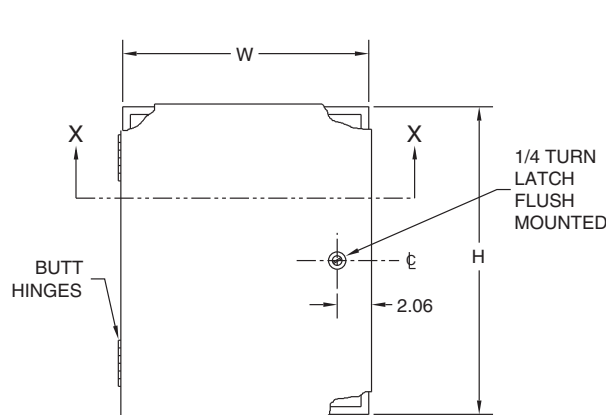
- Bodies and doors fabricated from 14 gauge steel
- Mounting holes on back of cabinet
- Collar studs provided for mounting optional back panel
- Doors furnished standard with flushmount quarter-turn style latch
- Doors secured by butt hinges
- Grounding provisions provided

Finish

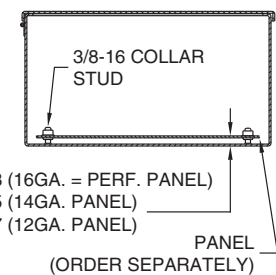
- ANSI-61 gray polyester powder inside and out
- **Optional** back panels are white polyester powder
- **Optional** perforated subpanels are painted white polyester powder

Accessories

- Back panels (reference tables) and page I6
- See pages J1-J22



SECTION X-X



Notes:

1. Cat. #'s denoted by an asterisk (*) include a flange only on the latch side.

**N1C SERIES ENCLOSURES
"MEDIUM" NEMA 1 HINGED WALL-MOUNT**

A11

"MEDIUM" N1C SERIES HINGE COVER ENCLOSURES												
CATALOG NUMBER	BODY/DOOR STEEL GAUGE	ENCLOSURE SIZE H X W X D	BACK PANEL CATALOG NUMBER**	PERFORATED SUBPANEL PART NUMBER**	BACK PANEL SIZE A X B	BACK PANEL STEEL GAUGE	E	F	G	I	K	L
N1C121606LP*	14/14	16.00x12.00x6.75 (406x305x171)	N1P1216L	N1P1216LPP	13.00x10.50 (330x267)	14	13.88 (352)	7.00 (178)	2.50 (64)	1.06 (27)	5.974 (152)	1.50 (38)
N1C161606LP*	14/14	16.00x16.00x6.75 (406x406x171)	N1P1616	N1P1616PP	13.00x14.50 (330x368)	14	13.88 (352)	11.00 (279)	2.50 (64)	1.06 (27)	5.974 (152)	1.50 (38)
N1C162006LP*	14/14	20.00x16.00x6.75 (508x406x171)	N1P1620	N1P1620PP	17.00x14.50 (432x368)	14	17.88 (454)	11.00 (279)	2.50 (64)	1.06 (27)	5.974 (152)	1.50 (38)
N1C162406LP*	14/14	24.00x16.00x6.75 (610x406x171)	N1P1624	N1P1624PP	21.00x14.50 (533x368)	14	21.88 (556)	11.00 (279)	2.50 (64)	1.06 (27)	5.974 (152)	1.50 (38)
N1C201606LP*	14/14	16.00x20.00x6.75 (406x508x171)	N1P2016	N1P2016PP	13.00x18.50 (330x470)	14	13.88 (352)	15.00 (381)	2.50 (64)	1.06 (27)	5.974 (152)	1.50 (38)
N1C202006LP*	14/14	20.00x20.00x6.75 (508x508x171)	N1P2020	N1P2020PP	17.00x18.50 (432x470)	14	17.88 (454)	15.00 (381)	2.50 (64)	1.06 (27)	5.974 (152)	1.50 (38)
N1C202406LP*	14/14	24.00x20.00x6.75 (610x508x171)	N1P2024	N1P2024PP	21.00x18.50 (533x470)	14	21.88 (556)	15.00 (381)	2.50 (64)	1.06 (27)	5.974 (152)	1.50 (38)
N1C242406LP*	14/14	24.00x24.00x6.75 (610x610x171)	N1P2424	N1P2424PP	21.00x22.50 (533x572)	12	21.88 (556)	19.00 (483)	2.50 (64)	1.06 (27)	5.952 (151)	1.50 (38)
N1C203006LP*	14/14	30.00x20.00x6.63 (762x508x168)	N1P2030	N1P2030PP	26.00x18.50 (660x470)	12	27.50 (699)	12.75 (324)	3.63 (92)	1.25 (32)	5.827 (148)	2.00 (51)
N1C243006LP	14/14	30.00x24.00x6.63 (762x610x168)	N1P2430	N1P2430PP	26.00x22.50 (660x572)	12	27.50 (699)	16.75 (425)	3.63 (92)	1.25 (32)	5.827 (148)	2.00 (51)
N1C243606LP	14/14	36.00x24.00x6.63 (914x610x168)	N1P2436	N1P2436PP	32.00x22.50 (813x572)	12	33.50 (851)	16.75 (425)	3.63 (92)	1.25 (32)	5.827 (148)	2.00 (51)
N1C303606LP	14/14	36.00x30.00x6.63 (914x762x168)	N1P3036	N1P3036PP	32.00x28.50 (813x724)	12	33.50 (851)	22.75 (578)	3.63 (92)	1.25 (32)	5.827 (148)	2.00 (51)
N1C121608LP*	14/14	16.00x12.00x8.75 (406x305x222)	N1P1216L	N1P1216LPP	13.00x10.50 (330x267)	14	13.88 (352)	7.00 (178)	2.50 (64)	1.06 (27)	7.974 (203)	1.50 (38)
N1C162008LP*	14/14	20.00x16.00x8.75 (508x406x222)	N1P1620	N1P1620PP	17.00x14.50 (432x368)	14	17.88 (454)	11.00 (279)	2.50 (64)	1.06 (27)	7.974 (203)	1.50 (38)
N1C202008LP*	14/14	20.00x20.00x8.75 (508x508x222)	N1P2020	N1P2020PP	17.00x18.50 (432x470)	14	17.88 (454)	15.00 (381)	2.50 (64)	1.06 (27)	7.974 (203)	1.50 (38)
N1C202408LP*	14/14	24.00x20.00x8.75 (610x508x222)	N1P2024	N1P2024PP	21.00x18.50 (533x470)	14	21.88 (556)	15.00 (381)	2.50 (64)	1.06 (27)	7.974 (203)	1.50 (38)
N1C242008LP*	14/14	20.00x24.00x8.75 (508x610x222)	N1P2420	N1P2420PP	17.00x22.50 (432x572)	14	17.88 (454)	19.00 (483)	2.50 (64)	1.06 (27)	7.974 (203)	1.50 (38)
N1C242408LP*	14/14	24.00x24.00x8.75 (610x610x222)	N1P2424	N1P2424PP	21.00x22.50 (533x572)	12	21.88 (556)	19.00 (483)	2.50 (64)	1.06 (27)	7.952 (202)	1.50 (38)
N1C243008LP	14/14	30.00x24.00x8.63 (762x610x219)	N1P2430	N1P2430PP	26.00x22.50 (660x572)	12	27.50 (699)	16.75 (425)	3.63 (92)	1.25 (32)	7.827 (199)	2.00 (51)
N1C303008LP	14/14	30.00x30.00x8.63 (762x762x219)	N1P3030	N1P3030PP	26.00x28.50 (660x724)	12	27.50 (699)	22.75 (578)	3.63 (92)	1.25 (32)	7.827 (199)	2.00 (51)
N1C243608LP	14/14	36.00x24.00x8.63 (914x610x219)	N1P2436	N1P2436PP	32.00x22.50 (813x572)	12	33.50 (851)	16.75 (425)	3.63 (92)	1.25 (32)	7.827 (199)	2.00 (51)
N1C303608LP	14/14	36.00x30.00x8.63 (914x762x219)	N1P3036	N1P3036PP	32.00x28.50 (813x724)	12	33.50 (851)	22.75 (578)	3.63 (92)	1.25 (32)	7.827 (199)	2.00 (51)
N1C202410LP*	14/14	24.00x20.00x10.75 (610x508x273)	N1P2024	N1P2024PP	21.00x18.50 (533x470)	14	21.88 (556)	15.00 (381)	2.50 (64)	1.06 (27)	9.974 (253)	1.50 (38)
N1C243010LP	14/14	30.00x24.00x10.63 (762x610x270)	N1P2430	N1P2430PP	26.00x22.50 (660x572)	12	27.50 (699)	16.75 (425)	3.63 (92)	1.25 (32)	9.827 (250)	2.00 (51)
N1C242412LP*	14/14	24.00x24.00x12.75 (610x610x324)	N1P2424	N1P2424PP	21.00x22.50 (533x572)	12	21.88 (556)	19.00 (483)	2.50 (64)	1.06 (27)	11.952 (304)	1.50 (38)
N1C243012LP	14/14	30.00x24.00x12.63 (762x610x321)	N1P2430	N1P2430PP	26.00x22.50 (660x572)	12	27.50 (699)	16.75 (425)	3.63 (92)	1.25 (32)	11.827 (300)	2.00 (51)
N1C303612LP	14/14	36.00x30.00x12.63 (914x762x321)	N1P3036	N1P3036PP	32.00x28.50 (813x724)	12	33.50 (851)	22.75 (578)	3.63 (92)	1.25 (32)	11.827 (300)	2.00 (51)

*See note 1 on the drawing.

**Back panels must be ordered separately

NOTE: Second numerical value of catalog # represents height.

N1C SERIES ENCLOSURES "LARGE" NEMA 1 HINGED WALL-MOUNT



N1C304209

Industry Standards

UL 508, Type 1
CSA Certified, Type 1
NEMA/EEMAC Type 1

 UL File E6924

 CSA File LL66078

FEATURES-SPECIFICATIONS

Applications

Designed for use in control and instrumentation applications in areas which do not require oil-tight and dust-tight specifications.

Construction

- Bodies and doors fabricated from 14 gauge steel
- Continuous hinged doors
- Doors are easily removable by pulling the hinge pin

- Door and body stiffeners provided for extra rigidity in larger enclosures
- Collar studs provided for mounting optional back panels
- External mounting feet provided
- Grounding provisions provided
- Doors are furnished standard with flushmount quarter-turn latch

Finish

- ANSI-61 gray polyester powder inside and out
- Optional panels are white polyester powder

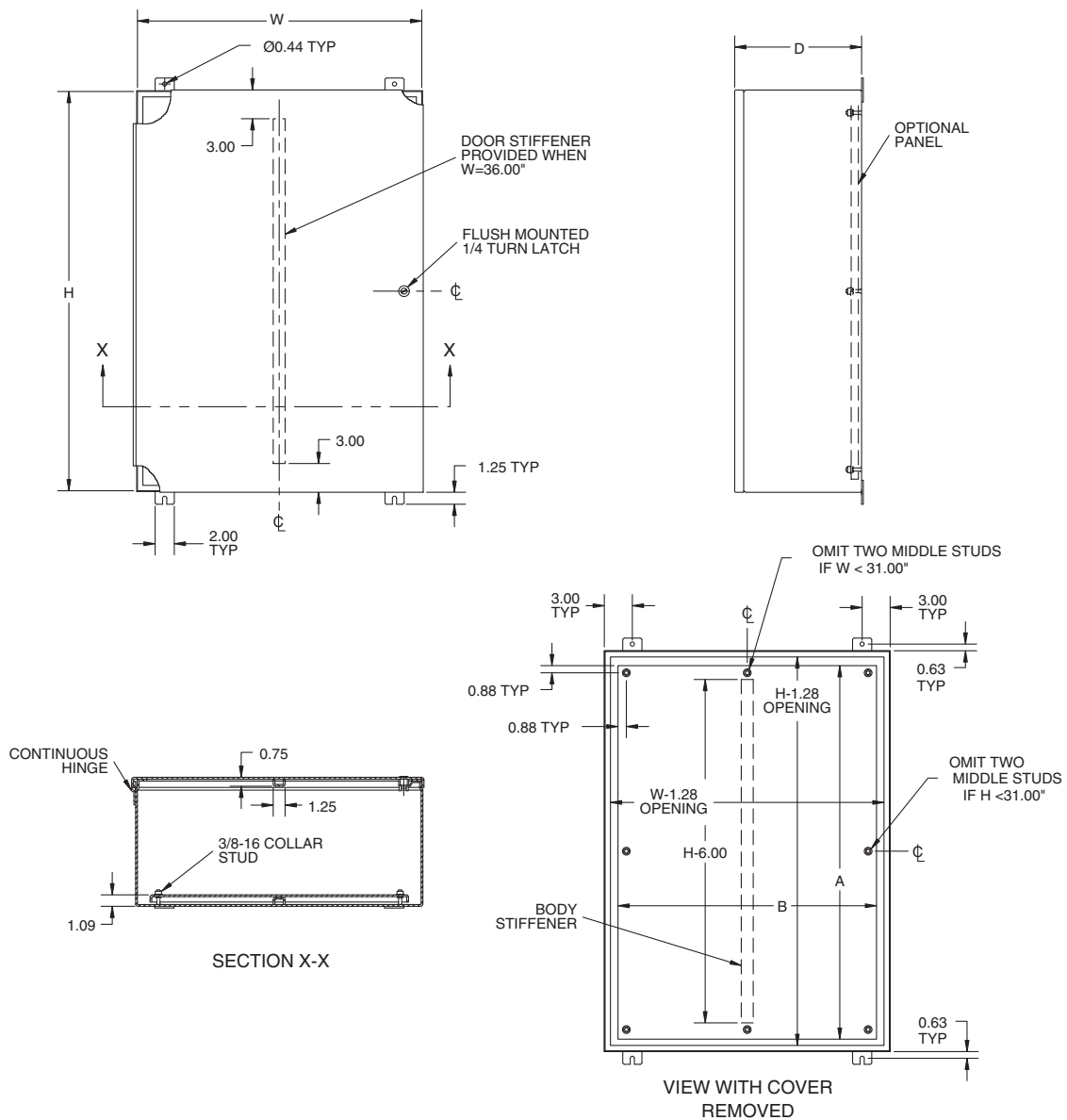
Accessories

- Back panels (reference tables) and page I4
- See pages J1-J22

"LARGE" N1C SERIES HINGE COVER ENCLOSURES					
CATALOG NUMBER	BODY/DOOR STEEL GAUGE	ENCLOSURE SIZE H X W X D	BACK PANEL CATALOG NUMBER*	BACK PANEL STEEL GAUGE	BACK PANEL SIZE A X B
N1C304209	14/14	42.00x30.00x8.94 (1067x762x227)	NP4230	12	39.00x27.00 (991x686)
N1C364209	14/14	42.00x36.00x8.94 (1067x914x227)	NP4236	12	39.00x33.00 (991x838)
N1C364809	14/14	48.00x36.00x8.94 (1219x914x227)	NP4836	12	45.00x33.00 (1143x838)
N1C364811	14/14	48.00x36.00x10.94 (1219x914x278)	NP4836	12	45.00x33.00 (1143x838)
N1C304213	14/14	42.00x30.00x12.94 (1067x762x329)	NP4230	12	39.00x27.00 (991x686)
N1C364817	14/14	48.00x36.00x17.25 (1219x914x438)	NP4836	12	45.00x33.00 (1143x838)

* Back panels must be ordered separately

NOTE: Second numerical value of catalog # represents height.





NOTES

Section B Index

RSC Series

NEMA 3R Screw Cover Wall-Mount.....B2

RHC Series

"Small" NEMA 3R Hinge Cover
Wall-Mount.....B4

"Medium" NEMA 3R Hinge Cover
Wall-Mount.....B6

LOH Series

NEMA 3R Hinge Cover Wall-MountB8

WCT Series

NEMA 3R Screw Cover Wall-MountB10

CT Series

NEMA 3R Single Door Hinge CoverB12

NEMA 3R Double Door Hinge Cover.....B13

NEMA 3R ENCLOSURES



**RSC SERIES ENCLOSURES
NEMA 3R SCREW COVER WALL-MOUNT**



RSC060604

Industry Standards
UL 50, Types 1 & 3R
CSA Certified, Type 1 & 3R
NEMA/EEMAC Type 1 & 3R

 UL File E23553

 CSA File LL66078

FEATURES-SPECIFICATIONS

Applications

Designed for use as wiring boxes and junction boxes. Provide protection in outdoor applications against rain, sleet, and snow, or indoors against dripping water.

Construction

- Bodies and doors fabricated from 16, 14, or 12 gauge carbon steel and pre-galvanized steel (reference table)
- Drip shield top and smooth seamless sides and front
- Knockouts are standard on bottom of 4.00" and 6.00" deep enclosures (reference table)
- A slip-on reversible cover is securely fastened with screws located along bottom edge
- No gasketing is required
- Hasp for padlocking or meter seal is provided

Finish

- ANSI-61 gray polyester powder inside and out over carbon steel
- Pre-galvanized steel (unfinished)

Accessories

- See pages J1-J22

‡Not UL Listed. No hasp or meter seal. Must specify CSA Label when ordering.

Notes: For removal of cover, move downward, then outward.

4.00x4.00x4.00 only has 2 mounting holes centered horizontally.

4.00x6.00x4.00 only has 2 mounting holes centered vertically.

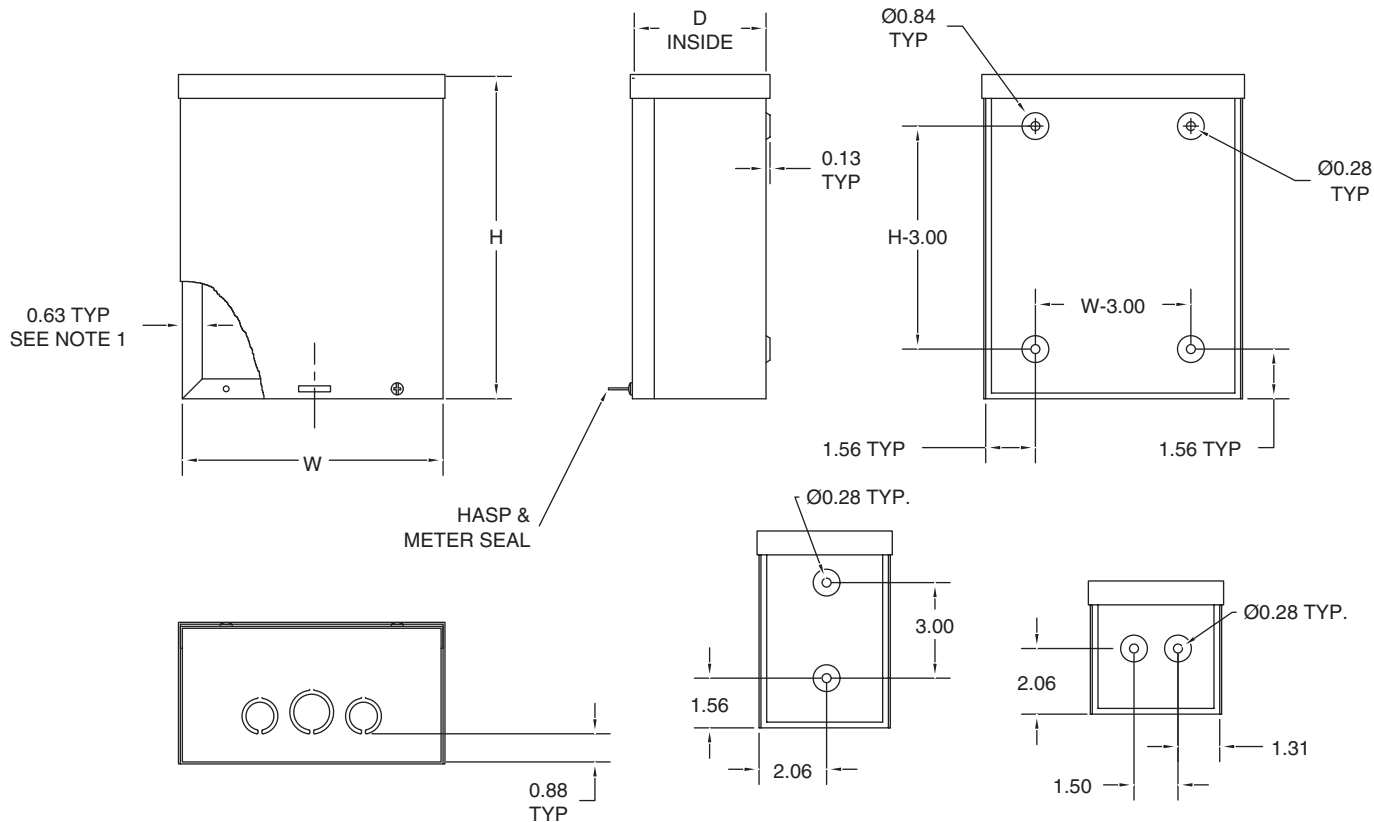
Note: 8", 10" and 12" deep enclosures do not have mounting embosses in back of enclosure, only mounting holes.

Note: Second numerical value of catalog # represents height.

****Also available with No Knockouts
Add "NK" to Catalog Number**

RSC SERIES SCREW COVER ENCLOSURES				
CATALOG NUMBER		BODY/DOOR STEEL GAUGE	ENCLOSURE SIZE H+1/8", W+1/8", D+3/16"	KNOCKOUT PATTERNS
PAINTED	GALVANIZED			
RSC040404**‡	RSC040404G**	16/16	4.00x4.00x4.00 (102x102x102)	A
RSC040604**‡	RSC040604G**	16/16	6.00x4.00x4.00 (152x102x102)	A
RSC060604**	RSC060604G**	16/16	6.00x6.00x4.00 (152x152x102)	A-B-A
RSC060804**	RSC060804G**	16/16	8.00x6.00x4.00 (203x152x102)	A-B-A
RSC080804**	RSC080804G**	16/16	8.00x8.00x4.00 (203x203x102)	A-B-A
RSC081004**	RSC081004G**	16/16	10.00x8.00x4.00 (254x203x102)	A-B-A
RSC101004**	RSC101004G**	16/16	10.00x10.00x4.00 (254x254x102)	B-A-F-F-A
RSC101204**	RSC101204G**	16/16	12.00x10.00x4.00 (305x254x102)	B-A-F-F-A
RSC121204**	RSC121204G**	16/16	12.00x12.00x4.00 (305x305x102)	B-A-F-F-A-B
RSC121504**	RSC121504G**	16/16	15.00x12.00x4.00 (381x305x102)	B-A-F-F-A-B
RSC181804**	RSC181804G**	16/16	18.00x18.00x4.00 (457x457x102)	A-B-A-F-F-A-B-A
RSC060606**	RSC060606G**	16/16	6.00x6.00x6.00 (152x152x152)	A-B-A
RSC060806**	RSC060806G**	16/16	8.00x6.00x6.00 (203x152x152)	A-B-A
RSC080806**	RSC080806G**	16/16	8.00x8.00x6.00 (203x203x152)	A-B-A
RSC081006**	RSC081006G**	16/16	10.00x8.00x6.00 (254x203x152)	A-B-A
RSC081206**	RSC081206G**	16/16	12.00x8.00x6.00 (305x203x152)	A-B-A
RSC101006**	RSC101006G**	16/16	10.00x10.00x6.00 (254x254x152)	B-A-F-F-A
RSC101206**	RSC101206G**	16/16	12.00x10.00x6.00 (305x254x152)	B-A-F-F-A
RSC121206**	RSC121206G**	16/16	12.00x12.00x6.00 (305x305x152)	B-A-F-F-A-B
RSC121506**	RSC121506G**	16/16	15.00x12.00x6.00 (381x305x152)	B-A-F-F-A-B
RSC121806**	RSC121806G**	16/16	18.00x12.00x6.00 (457x305x152)	B-A-F-F-A-B
RSC151806**	RSC151806G**	16/16	18.00x15.00x6.00 (457x381x152)	A-B-A-F-F-A-B-A
RSC181806**	RSC181806G**	16/16	18.00x18.00x6.00 (457x457x152)	A-B-A-F-F-A-B-A
RSC182406**	RSC182406G**	16/16	24.00x18.00x6.00 (610x457x152)	A-B-A-F-F-A-B-A
RSC242406**	RSC242406G**	14/14	24.00x24.00x6.00 (610x610x152)	A-B-A-F-F-A-B-A
+RSC121208	RSC121208G	16/16	12.00x12.00x8.00 (305x305x203)	No Knockouts
+RSC121808	RSC121808G	16/16	18.00x12.00x8.00 (457x305x203)	No Knockouts
+RSC151808	RSC151808G	16/16	18.00x15.00x8.00 (457x381x203)	No Knockouts
+RSC181808	RSC181808G	16/16	18.00x18.00x8.00 (457x457x203)	No Knockouts
+RSC182408	RSC182408G	14/14	24.00x18.00x8.00 (610x457x203)	No Knockouts
+RSC202408	RSC202408G	14/14	24.00x20.00x8.00 (610x508x203)	No Knockouts
+RSC242408	RSC242408G	14/14	24.00x24.00x8.00 (610x610x203)	No Knockouts
+RSC243008	RSC243008G	14/14	30.00x24.00x8.00 (762x610x203)	No Knockouts
+RSC121210	RSC121210G	16/16	12.00x12.00x10.00 (305x305x254)	No Knockouts
+RSC161610	RSC161610G	16/16	16.00x16.00x10.00 (406x406x254)	No Knockouts
+RSC242412	RSC242412G	14/14	24.00x24.00x12.00 (610x610x305)	No Knockouts
+RSC243612	RSC243612G	12/12	36.00x24.00x12.00 (914x610x305)	No Knockouts
+RSC303012	RSC303012G	12/12	30.00x30.00x12.00 (762x762x305)	No Knockouts
+RSC303612	RSC303612G	12/12	36.00x30.00x12.00 (914x762x305)	No Knockouts
+RSC363612	RSC363612G	12/12	36.00x36.00x12.00 (914x914x305)	No Knockouts
+RSC242416	RSC242416G	14/14	24.00x24.00x16.00 (610x610x406)	No Knockouts
+RSC303016	RSC303016G	12/12	30.00x30.00x16.00 (762x762x406)	No Knockouts
+RSC363616	RSC363616G	12/12	36.00x36.00x16.00 (914x914x406)	No Knockouts
+RSC364816	RSC364816G	12/12	48.00x36.00x16.00 (1219x914x406)	No Knockouts

(+) All products, unless otherwise denoted by a (+), are: H+1/8", W+1/8", D+3/16"



NOTES:

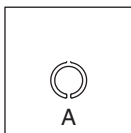
- Enclosures with D = 8.00" or more do not have an internal flange.

**4.00" X 6.00"
MOUNTING**

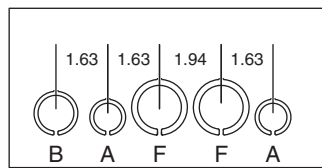
**4.00" X 4.00"
MOUNTING**

Knockout Patterns

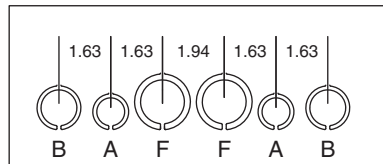
- A -- 1/2" TO 3/4"
- B -- 3/4" TO 1"
- F -- 1" TO 1-1/4"



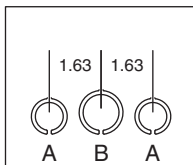
4" WIDTH



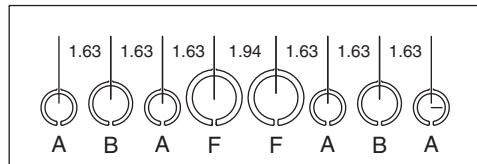
10" WIDTH



12" WIDTH



6" & 8" WIDTH



**15", 18", &
24" WIDTH**

**RHC SERIES ENCLOSURES
"SMALL" NEMA 3R HINGE COVER WALL-MOUNT**



RHC060604

Industry Standards

UL 50, Types 1 & 3R
CSA Certified, Type 1 & 3R
NEMA/EEMAC Type 1 & 3R

UL File E6924

CSA File LL66078

FEATURES-SPECIFICATIONS

Applications

Designed for use as wiring boxes and junction boxes. Provides protection in outdoor installations against rain, sleet, and snow, or indoors against dripping water.

Construction

- Bodies and doors fabricated from 16 gauge carbon steel
- Continuous hinge
- Lid is supplied with a padlockable draw latch

- Hinge is made of carbon steel with a stainless steel hinge pin
- Standard size enclosures are provided with knockouts in bottom
- Weldnuts provided for mounting optional back panels
- External mounting plates, top and bottom of enclosure
- Knockouts on bottom of enclosure
- Grounding provisions provided

Finish

- ANSI-61 gray polyester powder inside and out
- **Optional** back panels are white polyester powder
- **Optional** perforated panels are painted white polyester powder (See page I3)

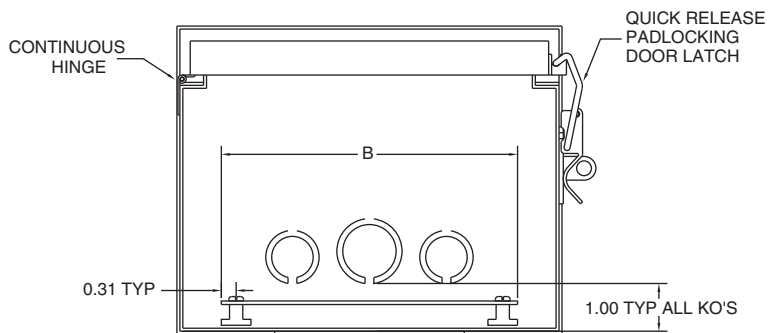
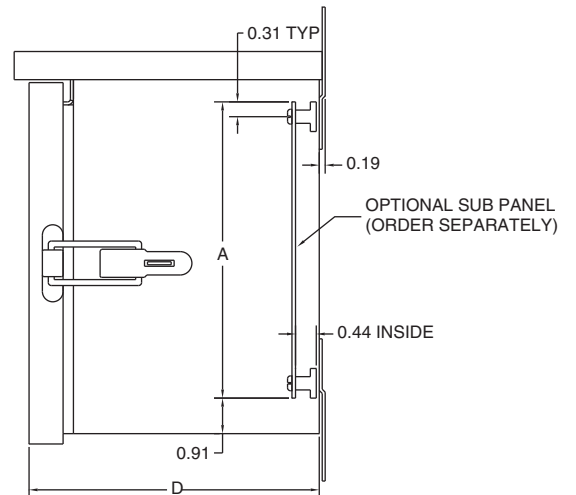
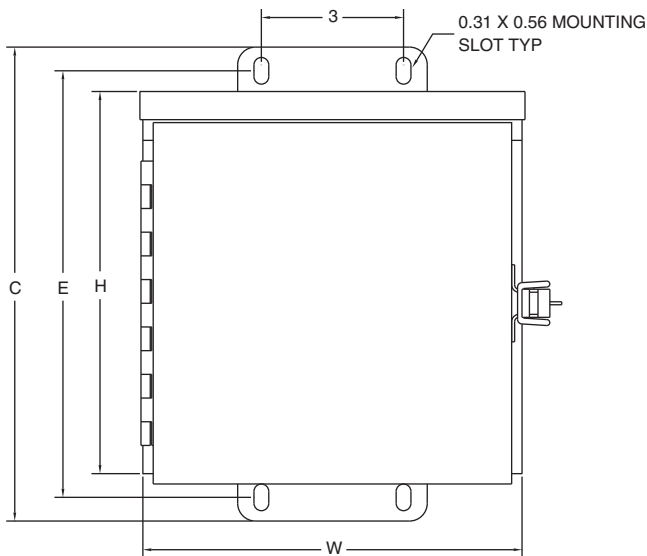
Accessories

- Back panels (reference tables)
- See pages J1-J22

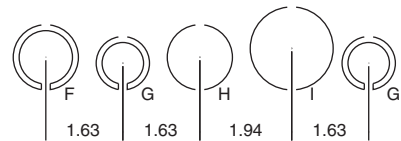
"SMALL" RHC SERIES HINGE COVER ENCLOSURES								
CATALOG NUMBER	BODY/DOOR STEEL GAUGE	ENCLOSURE SIZE H X W X D	KNOCKOUT PATTERN	BACK PANEL CATALOG NUMBER*		BACK PANEL SIZE A X B	C	E
				WHITE	PERFORATED			
RHC060604	16/16	6.06x6.00x4.13 (154x152x105)	G-F-G	N1P0606	N1P0606PP	4.25x4.25 (108x108)	8.00 (203)	7.00 (178)
RHC060804	16/16	8.06x6.00x4.13 (205x152x105)	G-F-G	N1P0608	N1P0608PP	6.25x4.25 (159x108)	10.00 (254)	9.00 (229)
RHC080804	16/16	8.06x8.00x4.13 (205x203x105)	G-F-G	N1P0808	N1P0808PP	6.25x6.25 (159x159)	10.00 (254)	9.00 (229)
RHC080806	16/16	8.06x8.00x6.13 (205x203x156)	G-F-G	N1P0808	N1P0808PP	6.25x6.25 (159x159)	10.00 (254)	9.00 (229)
RHC081006	16/16	10.06x8.00x6.13 (256x203x156)	G-F-G	N1P0810	N1P0810PP	8.25x6.25 (210x159)	12.00 (305)	11.00 (279)
RHC101206	16/16	12.06x10.00x6.13 (306x254x156)	G-F-G	N1P1012	N1P1012PP	10.25x8.25 (260x210)	14.00 (356)	13.00 (330)
RHC121206	16/16	12.06x12.00x6.13 (306x305x156)	F-G-H-I-G	N1P1212	N1P1212PP	10.25x10.25 (260x260)	14.00 (356)	13.00 (330)

* Back panels must be ordered separately.

NOTE: Second numerical value of catalog # represents height.



KNOCKOUT PATTERN
 (PATTERNS ARE CENTERED IN WIDTH)



- F = 3/4" X 1" CONCENTRIC KO
- G = 1/2" X 3/4" CONCENTRIC KO
- H = 1" SOLID KO
- I = 1-1/4" SOLID KO

**RHC SERIES ENCLOSURES
"MEDIUM" NEMA 3R HINGE COVER WALL-MOUNT**



RHC161606

Industry Standards

UL 508, Types 1 & 3R
CSA Certified, Type 1 & 3R
NEMA/EEMAC Type 1 & 3R



FEATURES-SPECIFICATIONS

Applications

Designed for use as wiring boxes and junction boxes. Provide protection in outdoor installations against rain, sleet, and snow, or indoors against dripping water.

Construction

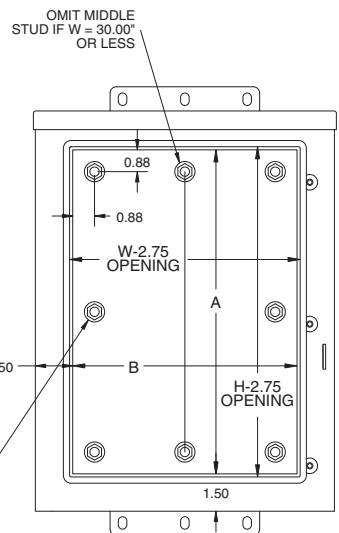
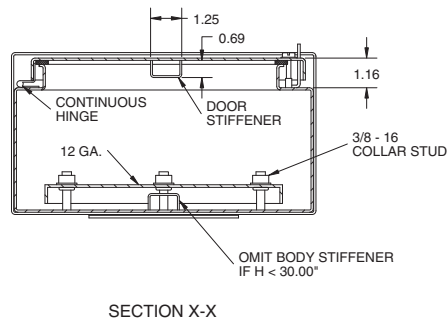
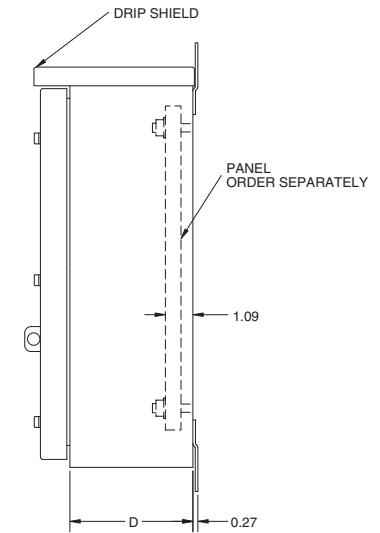
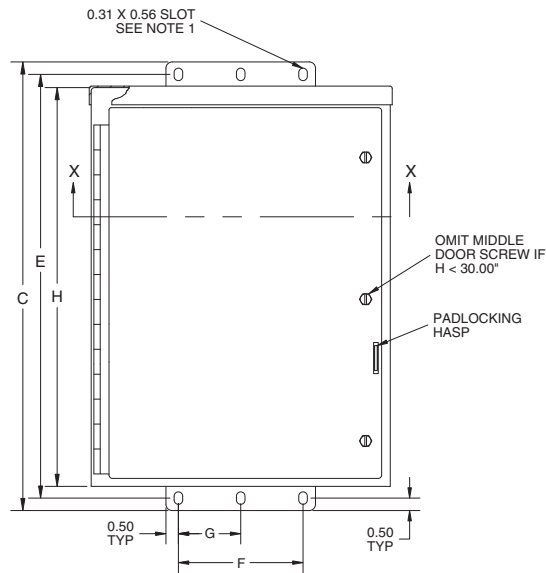
- Bodies and doors fabricated from 14 gauge carbon steel
- Continuous hinge
- Hinge is made of galvanized steel with a stainless steel pin
- No knockouts
- Collar studs provided for mounting optional back panels
- External mounting plates, top and bottom of enclosure
- Hasp and staple provided for padlocking
- Grounding provisions provided

Finish

- ANSI-61 gray polyester powder inside and out
- Optional back panels are white polyester powder
- Optional perforated panels are painted white polyester powder (See pages I2-I7)

Accessories

- Back panels (reference tables)
- See pages J1-J22



NOTES:
1. RHC303012 & larger have a 0.38 X 0.63 mounting slot.

**RHC SERIES ENCLOSURES
"MEDIUM" NEMA 3R HINGE COVER WALL-MOUNT**

B7



"MEDIUM" RHC SERIES HINGE COVER ENCLOSURES									
CATALOG NUMBER	BODY/DOOR STEEL GAUGE	ENCLOSURE SIZE H X W X D	BACK PANEL CATALOG NUMBER*		BACK PANEL SIZE A X B	C	E	F	G
			WHITE	PERFORATED					
RHC161206	14/14	16.00x12.00x6.00 (406x305x152)	NP1612	NP1612PP	13.00x9.00 (330x229)	18.00 (457)	17.00 (432)	5.00 (127)	—
RHC161606	14/14	16.00x16.00x6.00 (406x406x152)	NP1616	NP1616PP	13.00x13.00 (330x330)	18.00 (457)	17.00 (432)	9.00 (229)	—
RHC201606	14/14	20.00x16.00x6.00 (508x406x152)	NP2016	NP2016PP	17.00x13.00 (432x330)	22.00 (559)	21.00 (533)	9.00 (229)	—
RHC202008	14/14	20.00x20.00x8.00 (508x508x203)	NP2020	NP2020PP	17.00x17.00 (432x432)	22.00 (559)	21.00 (533)	13.00 (330)	—
RHC242008	14/14	24.00x20.00x8.00 (610x508x203)	NP2420	NP2420PP	21.00x17.00 (533x432)	26.00 (660)	25.00 (635)	13.00 (330)	—
RHC242408	14/14	24.00x24.00x8.00 (610x610x203)	NP2424	NP2424PP	21.00x21.00 (533x533)	26.00 (660)	25.00 (635)	17.00 (432)	—
RHC302408	14/14	30.00x24.00x8.00 (762x610x203)	NP3024	NP3024PP	27.00x21.00 (686x533)	32.00 (813)	31.00 (787)	17.00 (432)	—
RHC303012	14/14	30.00x30.00x12.00 (762x762x305)	NP3030	NP3030PP	27.00x27.00 (686x686)	32.00 (813)	31.00 (787)	27.00 (686)	13.50 (343)
RHC362412	14/14	36.00x24.00x12.00 (914x610x305)	NP3624	NP3624PP	33.00x21.00 (838x533)	38.00 (965)	37.00 (940)	17.00 (432)	—
RHC363012	14/14	36.00x30.00x12.00 (914x762x305)	NP3630	NP3630PP	33.00x27.00 (838x686)	38.00 (965)	37.00 (940)	27.00 (686)	13.50 (343)
RHC363612	14/14	36.00x36.00x12.00 (914x914x305)	NP3636	NP3636PP	33.00x33.00 (838x838)	38.00 (965)	37.00 (940)	27.00 (686)	13.50 (343)
RHC423012	14/14	42.00x30.00x12.00 (1067x762x305)	NP4230	—	39.00x27.00 (991x686)	44.00 (1118)	43.00 (1092)	27.00 (686)	13.50 (343)
RHC423612	14/14	42.00x36.00x12.00 (1067x914x305)	NP4236	—	39.00x33.00 (991x838)	44.00 (1118)	43.00 (1092)	27.00 (686)	13.50 (343)
RHC483612	14/14	48.00x36.00x12.00 (1219x914x305)	NP4836	—	45.00x33.00 (1143x838)	50.00 (1270)	49.00 (1245)	27.00 (686)	13.50 (343)
RHC603612	14/14	60.00x36.00x12.00 (1524x914x305)	NP6036	—	57.00x33.00 (1448x838)	62.00 (1575)	61.00 (1549)	27.00 (686)	13.50 (343)
RHC303016	14/14	30.00x30.00x16.00 (762x762x406)	NP3030	NP3030PP	27.00x27.00 (686x686)	32.00 (813)	31.00 (787)	27.00 (686)	13.50 (343)
RHC483616	14/14	48.00x36.00x16.00 (1219x914x406)	NP4836	NP4836PP	45.00x33.00 (991x838)	50.00 (1270)	49.00 (1245)	27.00 (686)	13.50 (343)

* Back panels must be ordered separately.

**LOH SERIES ENCLOSURES
NEMA 3R HINGE COVER WALL-MOUNT**



LOH121206

Industry Standards

UL 50, Types 1 & 3R
CSA Certified, Type 1 & 3R
NEMA/EEMAC Type 1 & 3R

 UL File E6924

 CSA File LL66078

FEATURES-SPECIFICATIONS

Applications

Designed for use as wiring box and junction box. Provide protection in outdoor installations against rain, sleet, and snow, or indoors against dripping water.

Construction

- Bodies and doors fabricated from 16 or 14 gauge carbon steel (reference table)
- Drip shield top and seam-free sides, front, and back

- Door is hinged on left side with lift off hinges
- Stainless steel hinge pin
- No knockouts
- Mounting holes are provided on back of enclosure
- Door fastened securely with draw pull catch
- Provision for padlocking
- Grounding provisions provided

Finish

- ANSI-61 gray polyester powder inside and out
- **Optional** back panels are white polyester powder

Accessories

- Mounting feet kit (reference table, see page B9)
- Back panels (reference table)
- For accessories see pages J1-J22

LOH SERIES HINGE COVER ENCLOSURES											
CATALOG NUMBER	BODY/DOOR STEEL GAUGE	ENCLOSURE SIZE H X W X D	BACK PANEL CATALOG NUMBER*	BACK PANEL SIZE A X B	C	E	F	G	H	I	J
LOH080604**	16/16	8.00x6.00x4.00 (203x152.00x102)	P0606	4.88x4.88 (124x124)	10.13 (257)	9.13 (232)	4.00 (102)	2.25 (57)	0.31 (8)	1.56 (40)	0.56 (14)
LOH080806**	16/16	8.00x8.00x6.00 (203x203.00x152)	P0806	6.88x4.88 (175x124)	10.13 (257)	9.13 (232)	4.00 (102)	2.25 (57)	0.31 (8)	1.56 (40)	1.56 (40)
LOH100806	16/16	10.00x8.00x6.00 (254x203x152)	P0808	6.88x6.88 (174x174)	12.13 (308)	11.13 (283)	4.00 (102)	2.25 (57)	0.31 (8)	1.56 (40)	0.56 (14)
LOH121006	16/16	12.00x10.00x6.00 (305x254x152)	P1010	8.88x8.88 (226x226)	14.13 (359)	13.13 (334)	4.00 (102)	2.25 (57)	0.31 (8)	1.56 (40)	0.56 (14)
LOH121206	16/16	12.00x12.00x6.00 (305x305x152)	P1210	10.88x8.88 (276x226)	14.13 (359)	13.13 (334)	4.00 (102)	2.25 (57)	0.31 (8)	1.56 (40)	1.56 (40)
LOH161206	16/16	16.00x12.00x6.00 (406x305x152)	P1412	12.88x10.88 (327x175)	18.13 (461)	17.13 (435)	4.00 (102)	2.25 (57)	0.31 (8)	1.56 (40)	0.56 (14)
LOH161606	14/14	16.00x16.00x6.00 (406x406x152)	NP1616	13.00x13.00 (330x330)	18.13 (461)	17.19 (437)	13.00 (330)	13.00 (330)	0.88 (22)	1.50 (38)	1.50 (38)
LOH201606	14/14	20.00x16.00x6.00 (508x406x152)	NP2016	17.00x13.00 (432x330)	22.19 (564)	21.19 (538)	13.00 (330)	13.00 (330)	0.88 (22)	1.50 (38)	1.50 (38)
LOH202008	14/14	20.00x20.00x8.00 (508x508x203)	NP2020	17.00x17.00 (432x432)	22.19 (564)	21.19 (538)	13.00 (330)	13.00 (330)	0.88 (22)	1.50 (38)	1.50 (38)
LOH242008	14/14	24.00x20.00x8.00 (610x508x203)	NP2420	21.00x17.00 (533x432)	26.19 (665)	25.19 (640)	13.00 (330)	13.00 (330)	0.88 (22)	1.50 (38)	1.50 (38)
LOH242408	14/14	24.00x24.00x8.00 (610x610x203)	NP2424	21.00x21.00 (533x533)	26.19 (665)	25.19 (640)	13.00 (330)	13.00 (330)	0.88 (22)	1.50 (38)	1.50 (38)
LOH302408	14/14	30.00x24.00x8.00 (762x610x203)	NP3024	27.00x21.00 (686x533)	32.19 (818)	21.19 (538)	13.00 (330)	13.00 (330)	0.88 (22)	1.50 (38)	1.50 (38)

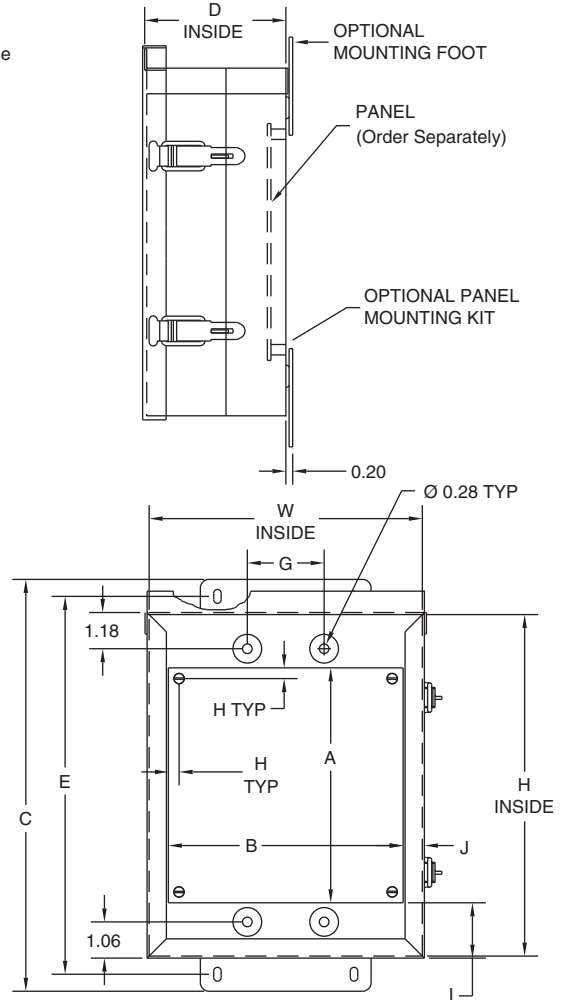
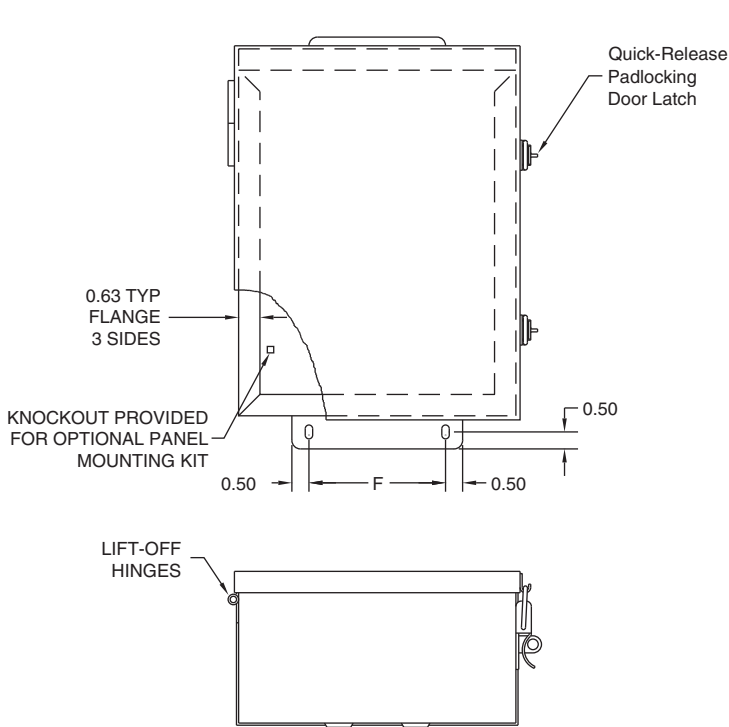
*Back panels must be ordered separately. If a back panel is required, an optional panel mounting kit is required. See page B9.

** One draw pull catch.

Note: If mounting feet are required, an optional mounting foot kit is required. See page B9.

PANEL MOUNTING KIT (OPTIONAL)	
CATALOG NUMBER	DESCRIPTION
WAPMK3RL016	Panel Mounting Kit for 16 ga. Enclosures
WAPMK3RL014	Panel Mounting Kit for 14 ga. Enclosures

MOUNTING FOOT KIT (OPTIONAL)				
CATALOG NUMBER	DESCRIPTION	OVERALL WIDTH OF FOOT	GAUGE OF MATERIAL	HOLE SPACING
WAMFK3RL016	Mounting Foot Kit for Enclosures 16x12x6 and smaller	5.00 (127)	14	4.00 (102)
WAMFK3RL014	Mounting Foot Kit for Enclosures 16x16x6 and larger	14.00 (356)	10	13.00 (330)



View With Cover Removed & Panel Installed



WCT242412

Industry Standards

UL 50, Types 1 & 3R
CSA Certified, Type 1 & 3R
NEMA/EEMAC Type 1 & 3R

 UL File E23553

 CSA File LL66078

FEATURES-SPECIFICATIONS

Applications

Designed for use as transformer housings, junction boxes, and service boxes.

Construction

- Drip shield top and smooth seamless sides and front
- A slip-on removable cover is securely fastened with plated screws located along bottom edge

- No gasketing is required
- Mounting holes on back of cabinet
- Door handles provided
- Hasp for padlocking and provisions for meter seal are provided
- Grounding provisions provided
- For removal of cover, move downward, then outward

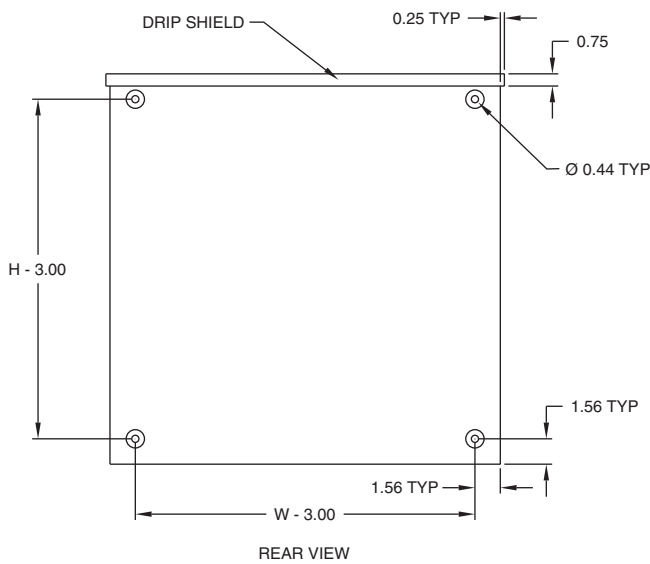
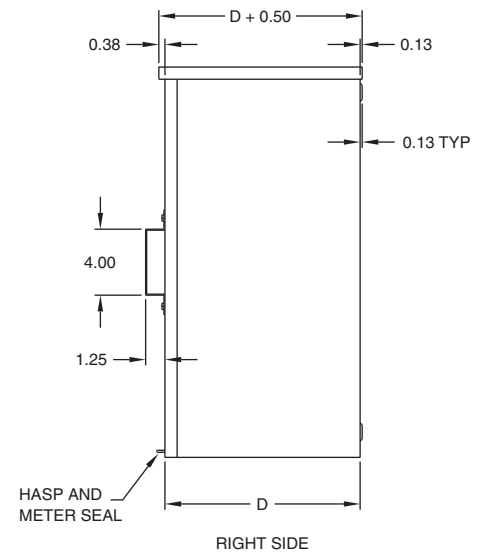
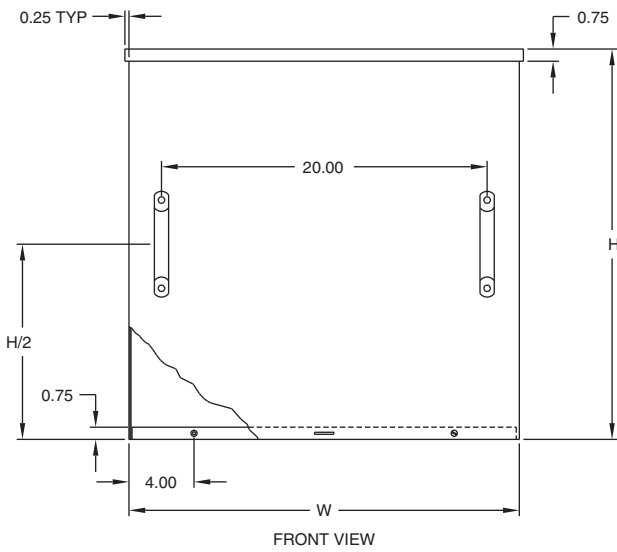
Finish

- ANSI-61 gray polyester powder inside and out

Accessories

- See pages J1-J22

WCT SERIES SCREW COVER ENCLOSURES		
CATALOG NUMBER	BODY/DOOR STEEL GAUGE	ENCLOSURE SIZE H X W X D
WCT242412	14/14	24.00x24.00x12.00 (610x610x305)
WCT303012	12/12	30.00x30.00x12.00 (762x762x305)
WCT363012	12/12	36.00x30.00x12.00 (914x762x305)
WCT363612	12/12	36.00x36.00x12.00 (914x914x305)
WCT483616	12/12	48.00x36.00x16.00 (1220x914x406)





CT242412

Industry Standards
UL Listed Type 3R

 UL File E23553

 CSA File LL66078

FEATURES-SPECIFICATIONS

Applications

Enclosures are designed as a housing for current and voltage transformers, recorders, meters, junction, service box, relay and/or for terminal instrumentation.

- Fully seam welded and ground smooth, with weep hole
- Drip shield
- Lift off hinges, gasketed doors
- Supplied with non-locking 1/4 turn latch
- Meter seal provisions
- Mounting holes in back

- Supplied with studs in back of enclosure to support optional wood sub panel

Finish

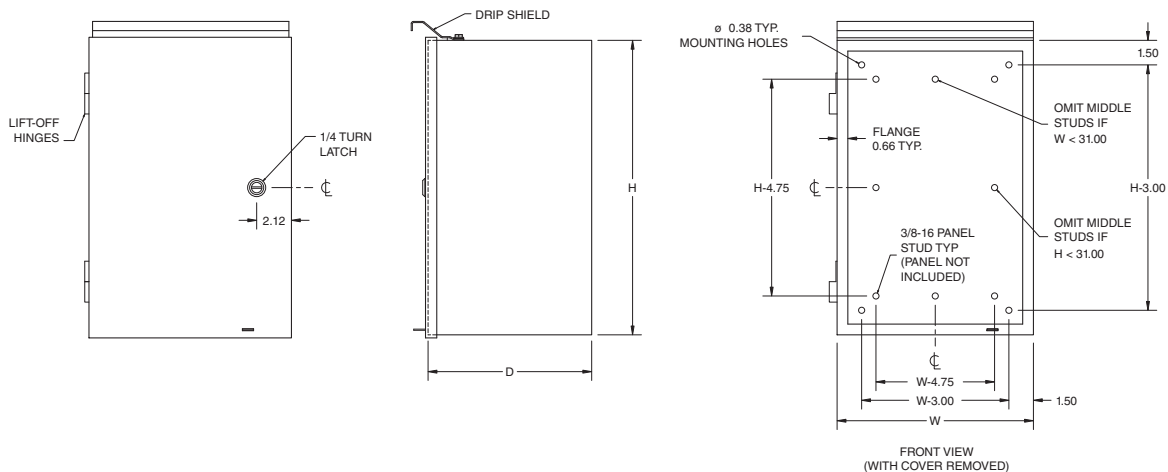
- ANSI 61 polyester powder inside and out

Construction

- Manufactured from 14 and 12 gauge carbon steel

CT SERIES SINGLE DOOR HINGE COVER ENCLOSURES			
CATALOG NUMBER	ENCLOSURE SIZE H X W X D	BODY GAUGE	PANEL CATALOG NUMBER
CTSD121810	18.00x12.00x10.00 (457x305x254)	14	WBP1812
CTSD182410	24.00x18.00x10.00 (610x457x254)	14	WBP2418
CTSD202010	20.00x20.00x10.00 (508x508x254)	14	WBP2020
CTSD202412	24.00x20.00x12.00 (610x508x305)	14	WBP2420
CTSD242412	24.00x24.00x12.00 (610x610x305)	14	WBP2424
CTSD243012	30.00x24.00x12.00 (762x610x305)	14	WBP3024
CTSD243612	36.00x24.00x12.00 (914x610x305)	14	WBP3624
CTSD303612	36.00x30.00x12.00 (914x762x305)	12	WBP3630

NOTE: Second numerical value of catalog # represents height.





CTDD363612

Industry Standards
UL Listed Type 3R

UL File E23553

CSA File LL66078

FEATURES-SPECIFICATIONS

Applications

Enclosures are designed as a housing for current and voltage transformers, recorders, meters, junction, service box, relay and/or for terminal instrumentation.

Construction

- Manufactured from 14 and 12 gauge carbon steel

- Fully seam welded and ground smooth, with weep hole
- Drip shield
- Lift off hinges, gasketed doors
- Supplied with non-locking "T" handle
- Meter seal provisions
- Mounting holes in back

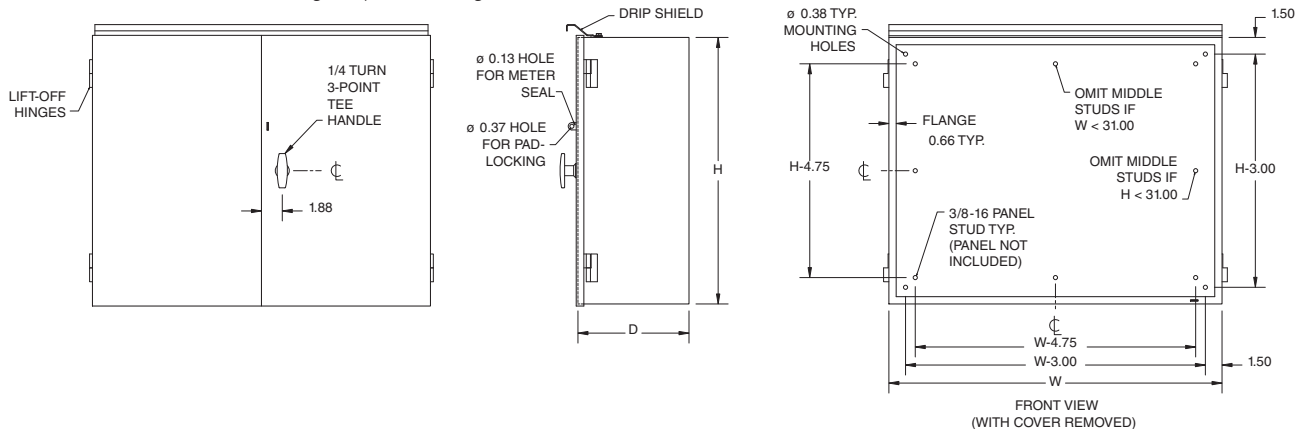
- Supplied with studs in back of enclosure to support optional wood sub panel

Finish

- ANSI 61 polyester powder inside and out

CT SERIES DOUBLE DOOR HINGE COVER ENCLOSURES			
CATALOG NUMBER	ENCLOSURE SIZE H X W X D	BODY GAUGE	PANEL CATALOG NUMBER
CTDD302410	24.00x30.00x10.00 (610x762x254)	14	WBP3024
CTDD303012	30.00x30.00x12.00 (762x762x254)	12	WBP3030DD
CTDD303612	36.00x30.00x12.00 (914x762x254)	12	WBP3630
CTDD362412	24.00x36.00x12.00 (610x914x254)	14	WBP3624
CTDD363012	30.00x36.00x12.00 (762x914x254)	12	WBP3630
CTDD363212	32.00x36.00x12.00 (813x914x254)	12	WBP3236DD
CTDD363612	36.00x36.00x12.00 (914x914x254)	12	WBP3636DD
CTDD363616	36.00x36.00x16.00 (914x914x406)	12	WBP3636DD
CTDD443012	30.00x44.00x12.00 (762x1118x305)	12	WBP3044DD
CTDD424212	42.00x42.00x12.00 (1067x1067x305)	12	WBP4242DD
CTDD484816	48.00x48.00x16.00 (1219x1219x406)	12	WBP4848DD

NOTE: Second numerical value of catalog # represents height.





NOTES

Section C Index

B Series

NEMA 12 JIC Lift Off Cover Wall-Mount..C2

B-CH Series

NEMA 12 JIC Continuous Hinge Wall-MountC4

Large B-CH Series

NEMA 12 JIC Continuous Hinge Wall-MountC6

B-CHQR Series

NEMA 12 JIC Continuous Hinge Quick-Release Wall-Mount.....C8

B-SC Series

NEMA 12 JIC Screw Cover Wall-Mount ..C10

WA-GIE Series

NEMA 12 JIC Hinged Screw Cover Wall-Mount.....C12

JIC Handy Series

NEMA 12 JIC Screw Cover Wall-Mount ..C14

BCHFTC Series

JIC Continuous Hinge Wall-MountC15

N12 Series

NEMA 12 Single Door Wall-Mount.....C16

WA-WF Series

NEMA 12 Two Door Wall-MountC19

WA-FM Series

NEMA 12 Single Door Flush Wall-Mount.....C21

N12 Series

NEMA 12 Two Door Floor-MountC23

WA-FS Series

NEMA 12 Single Door Freestanding.....C25

WA-FSD Series

NEMA 12 Two Door FreestandingC27

WA-FSDA Series

NEMA 12 Single Door Dual Access FreestandingC28

WA-FSDAD Series

NEMA 12 Two Door Dual Access FreestandingC29

Freestanding AccessoriesC30

WA-E Series

NEMA 12 Multi-Door Freestanding...C33-36

NEMA 12 ENCLOSURES



**B SERIES ENCLOSURES
NEMA 12 JIC LIFT OFF COVER WALL-MOUNT**



Industry Standards

- UL 50, Types 12 & 13
(6.00" x 6.00" x 4.00" & above)
- UL 508, Types 12 & 13
(6.00" x 4.00" x 4.00" & smaller)
- CSA Certified, Type 12
- NEMA/EEMAC Type 12 & 13
- JIC EL-1-71

UL Files E23553, E64791

CSA File LL66078

FEATURES-SPECIFICATIONS

Applications

The Hubbell Wiegmann B Series JIC box is a standard of the automotive industry but has wide application in other industries. The box incorporates a chain secured lift off cover and is designed to safeguard components against exposure to dust, dirt, oil, and water.

Construction

- Bodies 14 gauge and doors fabricated from 16 gauge steel
- Continuously welded seams ground smooth, less knockouts or holes

- Lids are sealed with closed cell oil resistant neoprene gasket
- External mounting plates, top and bottom of enclosure
- Weldnuts are provided on models 6.00" x 4.00" and larger to secure optional back panel
- External screw clamps are quick and easy to operate
- Lift off cover design. Chain holds cover to box when cover is removed
- Grounding provisions provided

Finish

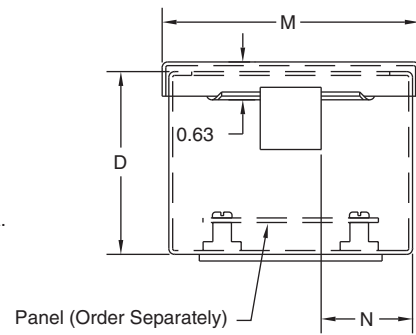
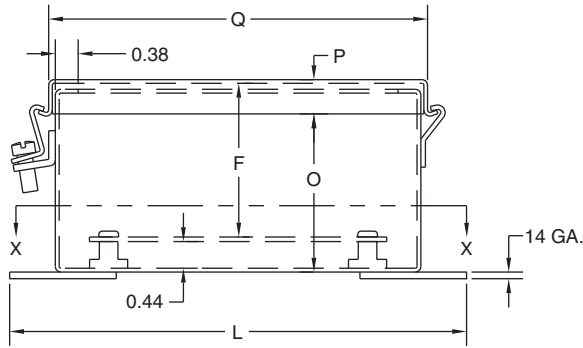
- ANSI 61 gray polyester powder inside and out
- Optional back panels are white polyester powder
- Optional "G" panels have a conductive finish (See page I2)

Accessories

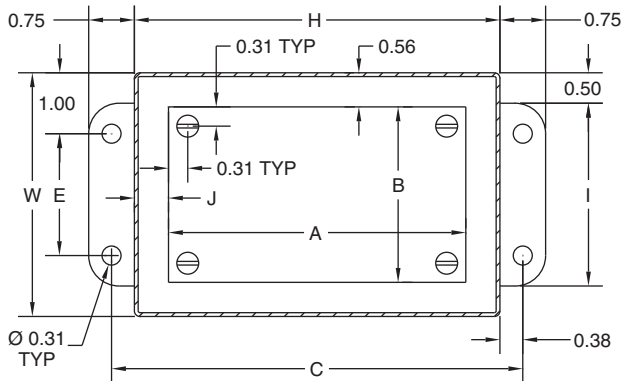
- Back panels (reference tables)
- See pages J1-J22

B SERIES JIC LIFT OFF COVER ENCLOSURES														
CATALOG NUMBER	ENCLOSURE SIZE H X W X D	BACK PANEL CATALOG NUMBER*		BACK PANEL SIZE A X B	MOUNTING C X E	OVERALL L X M	F	I	J	K	N	O	P	Q
		WHITE	"G"											
B040403	4.00x4.00x3.00 (102x102x76)	—	—	—	4.75x2.00 (121x51)	5.50x4.31 (140x109)	2.53 (64)	3.00 (76)	—	1.38 (35)	1.50 (38)	2.59 (66)	0.56 (14)	4.31 (110)
B040404	4.00x4.00x4.00 (102x102x102)	—	—	—	4.75x2.00 (121x51)	5.50x4.31 (140x109)	3.53 (90)	3.00 (76)	—	1.38 (35)	1.50 (38)	3.59 (91)	0.56 (14)	4.31 (110)
B060403	6.00x4.00x3.00 (152x102x76)	P0604	P0604G	4.88x2.88 (124x73)	6.75x2.00 (171x51)	7.50x4.31 (191x109)	2.53 (64)	3.00 (76)	0.56 (14)	1.38 (35)	1.50 (38)	2.59 (66)	0.56 (14)	6.31 (160)
B060404	6.00x4.00x4.00 (152x102x102)	P0604	P0604G	4.88x2.88 (124x73)	6.75x2.00 (171x51)	7.50x4.31 (191x109)	3.53 (90)	3.00 (76)	0.56 (14)	1.38 (35)	1.50 (38)	3.59 (91)	0.56 (14)	6.31 (160)
B060604	6.00x6.00x4.00 (152x152x102)	P0606	P0606G	4.88x4.88 (124x124)	6.75x4.00 (171x102)	7.50x6.31 (191x160)	3.53 (90)	5.00 (127)	0.56 (14)	2.38 (60)	1.00 (25)	3.59 (91)	0.56 (14)	6.31 (160)
B080603	8.00x6.00x3.50 (203x152x89)	P0806	P0806G	6.88x4.88 (175x124)	8.75x4.00 (222x102)	9.50x6.31 (241x160)	3.03 (77)	5.00 (127)	0.56 (14)	2.38 (60)	1.00 (25)	3.09 (79)	0.56 (14)	8.31 (211)
B080606	8.00x6.00x6.00 (203x152x152)	P0806	P0806G	6.88x4.88 (175x124)	8.75x4.00 (222x102)	9.50x6.31 (241x160)	5.53 (141)	5.00 (127)	0.56 (14)	2.38 (60)	1.00 (25)	5.59 (142)	0.56 (14)	8.31 (211)
B080804	8.00x8.00x4.00 (203x203x102)	P0808	P0808G	6.88x6.88 (175x175)	8.75x6.00 (222x152)	9.50x8.31 (241x211)	3.53 (90)	7.00 (178)	0.56 (14)	1.00 (25)	1.00 (25)	3.59 (91)	0.56 (14)	8.31 (211)
B100804	10.00x8.00x4.00 (254x203x102)	P1008	P1008G	8.88x6.88 (226x175)	10.75x6.00 (273x152)	11.50x8.31 (292x211)	3.53 (90)	7.00 (178)	0.56 (14)	1.00 (25)	1.00 (25)	3.59 (91)	0.56 (14)	10.31 (262)
B100806	10.00x8.00x6.00 (254x203x152)	P1008	P1008G	8.88x6.88 (226x175)	10.75x6.00 (273x152)	11.50x8.31 (292x211)	5.53 (141)	7.00 (178)	0.56 (14)	1.00 (25)	1.00 (25)	5.59 (142)	0.56 (14)	10.31 (262)
B121005	12.00x10.00x5.00 (305x254x127)	P1210	P1210G	10.88x8.88 (276x226)	12.75x8.00 (324x203)	13.50x10.31 (343x262)	4.53 (115)	9.00 (229)	0.56 (14)	1.00 (25)	1.00 (25)	4.59 (117)	0.56 (14)	12.31 (313)
B121206	12.00x12.00x6.00 (305x305x152)	P1212	P1212G	10.88x10.88 (276x276)	12.75x10.00 (324x254)	13.50x12.31 (343x313)	5.53 (141)	11.00 (279)	0.56 (14)	1.00 (25)	1.00 (25)	5.59 (142)	0.56 (14)	12.31 (313)
B141206	14.00x12.00x6.00 (356x305x152)	P1412	P1412G	12.88x10.88 (327x276)	14.75x10.00 (375x254)	15.50x12.31 (394x313)	5.53 (141)	11.00 (279)	0.56 (14)	1.00 (25)	1.00 (25)	5.59 (142)	0.56 (14)	14.31 (364)
B161406	16.00x14.00x6.00 (406x356x152)	P1614	P1614G	14.88x12.88 (378x327)	16.75x12.00 (425x305)	17.50x14.31 (445x363)	5.53 (141)	13.00 (330)	0.56 (14)	1.00 (25)	1.00 (25)	5.59 (142)	0.56 (14)	16.31 (414)

*Back panels must be ordered separately.



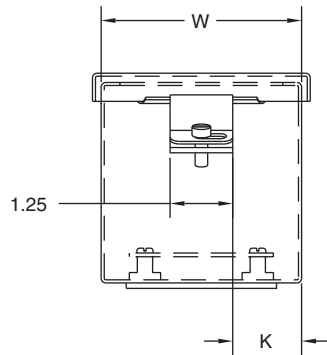
Panel (Order Separately)



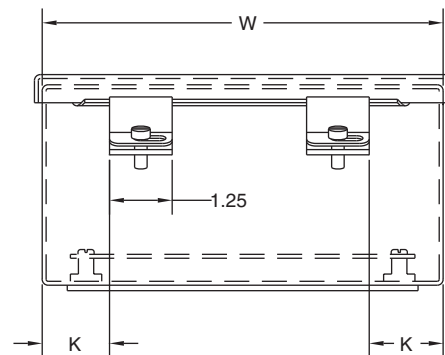
SECTION X-X

Notes:

1. Panels are 14 Ga. Steel.
2. Panel screws are #10-32 Pan Head.
3. Two clamps are used if W = 8" or more.
4. Chain is supplied but not shown.



VIEW SHOWING CLAMP POSITION
WHEN "W" IS LESS THAN 8"



VIEW SHOWING CLAMP POSITION
WHEN "W" EQUALS 8" OR MORE



B101006CH

Industry Standards

UL 50, Types 12 & 13
CSA Certified, Type 12
NEMA/EEMAC Type 12 & 13
JIC EL-1-71

 UL Files E6924

 CSA File LL66078

FEATURES-SPECIFICATIONS

Applications

Intended for use as electrical junction boxes, terminal wiring boxes, and instrument housings. Hinged door provides convenient access. Designed to provide protection from dust, dirt, oil, and water.

Construction

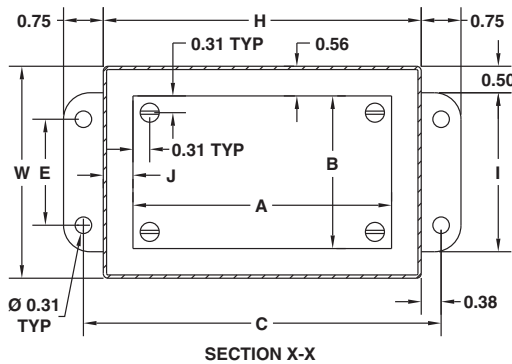
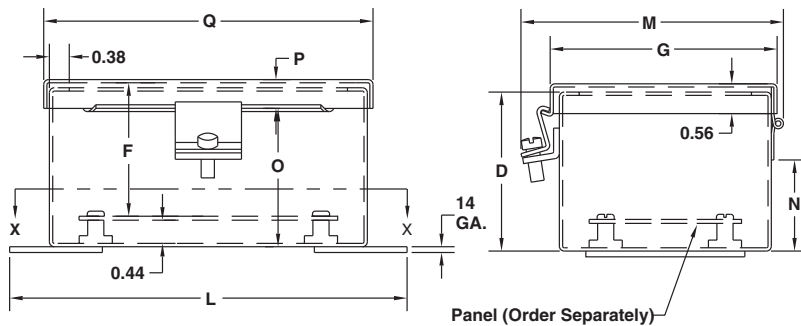
- Bodies 14 gauge and doors fabricated from 16 gauge and steel
- Continuously welded seams ground smooth, less knockouts or holes
- Lids are sealed with closed cell oil resistant neoprene gasket
- External mounting plates, top and bottom of enclosure
- Weldnuts are provided for mounting optional panels securely on models 6.00" x 4.00" and larger
- External screw clamps are quick and easy to operate
- Standard continuous hinge
- Grounding provisions provided

Finish

- ANSI-61 gray polyester powder inside and out
- **Optional** back panels are white polyester powder
- **Optional** "G" panels have a conductive finish (See page I2)

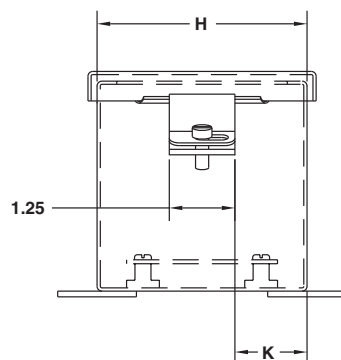
Accessories

- Back panels (reference tables)
- See pages J1-J22

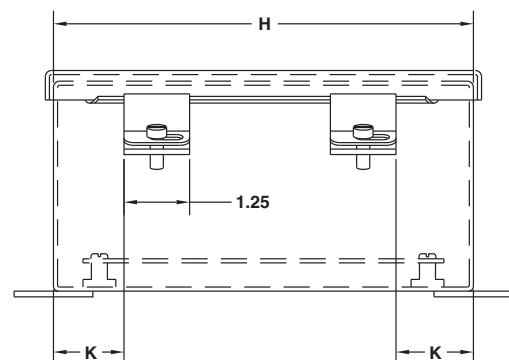


Notes:

1. Panels are 14 Ga. steel.
2. Panel Screws are #10-32 Pan Head.
3. Two clamps are used if "H" = 8.00"



VIEW SHOWING CLAMP POSITION
WHEN "H" IS LESS THAN 8"



VIEW SHOWING CLAMP POSITION
WHEN "H" EQUALS 8" OR MORE

**B-CH SERIES ENCLOSURES
NEMA 12 JIC CONTINUOUS HINGE WALL-MOUNT**

C5

B-CH SERIES JIC CONTINUOUS HINGE ENCLOSURES															
CATALOG NUMBER	ENCLOSURE SIZE H X W X D	BACK PANEL CATALOG NUMBER*		BACK PANEL SIZE A X B	MOUNTING C X E	OVERALL L X M	F	G	I	J	K	N	O	P	Q
		WHITE	"G"												
B040403CH	4.00x4.00x3.00 (102x102x76)	—	—	—	4.75x2.00 (121x51)	5.50x5.00 (140x127)	2.53 (76)	4.31 (109)	3.00 (76)	—	1.38 (35)	1.78 (45)	2.53 (64)	0.63 (16)	4.31 (110)
B040404CH	4.00x4.00x4.00 (102x102x102)	—	—	—	4.75x2.00 (121x51)	5.50x5.00 (140x127)	3.53 (101)	4.31 (109)	3.00 (76)	—	1.38 (35)	2.78 (71)	3.53 (90)	0.63 (16)	4.31 (110)
B060403CH	6.00x4.00x3.00 (152x102x76)	P0604	P0604G	4.88x2.88 (124x73)	6.75x2.00 (171x51)	7.50x5.00 (191x127)	2.53 (76)	4.31 (109)	3.00 (76)	0.56 (14)	2.38 (60)	1.78 (45)	2.53 (64)	0.63 (16)	6.31 (160)
B060404CH	6.00x4.00x4.00 (152x102x102)	P0604	P0604G	4.88x2.88 (124x73)	6.75x2.00 (171x51)	7.50x5.00 (191x127)	3.53 (101)	4.31 (109)	3.00 (76)	0.56 (14)	2.38 (60)	2.78 (71)	3.53 (90)	0.63 (16)	6.31 (160)
B060604CH	6.00x6.00x4.00 (152x152x102)	P0606	P0606G	4.88x4.88 (124x124)	6.75x4.00 (171x102)	7.50x7.00 (191x178)	3.53 (101)	6.31 (160)	5.00 (127)	0.56 (14)	2.38 (60)	2.78 (71)	3.53 (90)	0.63 (16)	6.31 (160)
B080603CH	8.00x6.00x3.50 (203x152x89)	P0806	P0806G	6.88x4.88 (175x124)	8.75x4.00 (222x102)	9.50x7.00 (241x178)	3.03 (88)	6.31 (160)	5.00 (127)	0.56 (14)	1.00 (25)	2.28 (58)	3.03 (77)	0.63 (16)	8.31 (211)
B080606CH	8.00x6.00x6.00 (203x152x152)	P0806	P0806G	6.88x4.88 (175x124)	8.75x4.00 (222x102)	9.50x7.00 (241x178)	5.53 (152)	6.31 (160)	5.00 (127)	0.56 (14)	1.00 (25)	4.78 (121)	5.53 (141)	0.63 (16)	8.31 (211)
B080804CH	8.00x8.00x4.00 (203x203x102)	P0808	P0808G	6.88x6.88 (175x175)	8.75x6.00 (222x152)	9.50x9.00 (241x229)	3.53 (101)	8.31 (211)	7.00 (178)	0.56 (14)	1.00 (25)	2.78 (71)	3.53 (90)	0.63 (16)	8.31 (211)
B100804CH	10.00x8.00x4.00 (254x203x102)	P1008	P1008G	8.88x6.88 (226x175)	10.75x6.00 (273x152)	11.50x9.00 (292x229)	3.53 (101)	8.31 (211)	7.00 (178)	0.56 (14)	1.00 (25)	2.78 (71)	3.53 (90)	0.63 (16)	10.31 (262)
B100804CHS	8.00x10.00x4.00 (203x254x102)	P1008	P1008G	8.88x6.88 (226x175)	10.75x6.00 (273x152)	11.50x9.00 (292x229)	3.53 (101)	8.31 (211)	7.00 (178)	0.56 (14)	1.00 (25)	2.78 (71)	3.53 (90)	0.63 (16)	10.31 (262)
B100806CH	10.00x8.00x6.00 (254x203x152)	P1008	P1008G	8.88x6.88 (226x175)	10.75x6.00 (273x152)	11.50x9.00 (292x229)	5.53 (152)	8.31 (211)	7.00 (178)	0.56 (14)	1.00 (25)	4.78 (121)	5.53 (141)	0.63 (16)	10.31 (262)
B101006CH	10.00x10.00x6.00 (254x254x152)	P1010	P1010G	8.88x8.88 (225x225)	10.75x8.00 (273x203)	11.50x11.00 (292x279)	5.53 (152)	10.31 (262)	9.00 (229)	0.56 (14)	1.00 (25)	4.78 (121)	5.53 (141)	0.63 (16)	10.31 (262)
B120604CH	12.00x6.00x4.00 (305x152x102)	P1206	P1206G	10.88x4.88 (276x124)	12.75x4.00 (324x102)	13.50x7.00 (343x178)	3.53 (101)	6.31 (160)	5.00 (127)	0.56 (14)	1.00 (25)	2.78 (71)	3.53 (90)	0.63 (16)	12.31 (313)
B121005CH	10.00x12.00x5.00 (254x305x127)	P1210	P1210G	10.88x8.88 (276x226)	12.75x8.00 (324x203)	13.50x11.00 (343x279)	4.53 (127)	10.31 (262)	9.00 (229)	0.56 (14)	1.00 (25)	3.78 (96)	4.53 (115)	0.63 (16)	12.31 (313)
B121005CHS	10.00x12.00x5.00 (254x305x127)	P1210	P1210G	10.88x8.88 (276x226)	12.75x8.00 (324x203)	13.50x11.00 (343x279)	4.53 (127)	10.31 (262)	9.00 (229)	0.56 (14)	1.00 (25)	3.78 (96)	4.53 (115)	0.63 (16)	12.31 (313)
B121008CH	12.00x10.00x8.00 (305x254x203)	P1210	P1210G	10.88x8.88 (276x226)	12.75x8.00 (324x203)	13.50x11.00 (343x279)	7.53 (203)	10.31 (262)	9.00 (229)	0.56 (14)	1.00 (25)	6.78 (172)	7.53 (191)	0.63 (16)	12.31 (313)
B121206CH	12.00x12.00x6.00 (305x305x152)	P1212	P1212G	10.88x10.88 (276x276)	12.75x10.00 (324x254)	13.50x13.00 (343x330)	5.53 (152)	12.31 (313)	11.00 (279)	0.56 (14)	1.00 (25)	4.78 (121)	5.53 (141)	0.63 (16)	12.31 (313)
B140806CH	14.00x8.00x6.00 (356x203x152)	P1408	P1408G	12.88x6.88 (327x175)	14.75x6.00 (375x152)	15.50x9.00 (394x229)	5.53 (152)	8.31 (211)	7.00 (178)	0.56 (14)	1.00 (25)	4.78 (121)	5.53 (141)	0.63 (16)	14.31 (364)
B141206CH	14.00x12.00x6.00 (356x305x152)	P1412	P1412G	12.88x10.88 (327x276)	14.75x10.00 (375x254)	15.50x13.00 (394x330)	5.53 (152)	12.31 (313)	11.00 (279)	0.56 (14)	1.00 (25)	4.78 (121)	5.53 (141)	0.63 (16)	14.31 (364)
B141206CHS	12.00x14.00x6.00 (305x356x152)	P1412	P1412G	12.88x10.88 (327x276)	14.75x10.00 (375x254)	15.50x13.00 (394x330)	5.53 (152)	12.31 (313)	11.00 (279)	0.56 (14)	1.00 (25)	4.78 (121)	5.53 (141)	0.63 (16)	14.31 (364)
B141208CH	14.00x12.00x8.00 (356x305x203)	P1412	P1412G	12.88x10.88 (327x276)	14.75x10.00 (375x254)	15.50x13.00 (394x330)	7.53 (203)	12.31 (313)	11.00 (279)	0.56 (14)	1.00 (25)	6.78 (172)	7.53 (191)	0.63 (16)	14.31 (364)
B161006CH	16.00x10.00x6.00 (406x254x152)	P1610	P1610G	14.88x8.88 (378x226)	16.75x8.00 (425x203)	17.50x11.00 (445x279)	5.53 (152)	10.31 (262)	9.00 (229)	0.56 (14)	1.00 (25)	4.78 (121)	5.53 (141)	0.63 (16)	16.31 (414)
B161406CH	16.00x14.00x6.00 (406x356x152)	P1614	P1614G	14.88x12.88 (378x327)	16.75x12.00 (425x305)	17.50x15.00 (445x381)	5.53 (152)	14.31 (363)	13.00 (330)	0.56 (14)	1.00 (25)	4.78 (121)	5.53 (141)	0.63 (16)	16.31 (414)
B161406CHS	14.00x16.00x6.00 (356x406x152)	P1614	P1614G	14.88x12.88 (378x327)	16.75x12.00 (425x305)	17.50x15.00 (445x381)	5.53 (152)	14.31 (363)	13.00 (330)	0.56 (14)	1.00 (25)	4.78 (121)	5.53 (141)	0.63 (16)	16.31 (414)
B161408CH	16.00x14.00x8.00 (406x356x203)	P1614	P1614G	14.88x12.88 (378x327)	16.75x12.00 (425x305)	17.50x15.00 (445x381)	7.53 (203)	14.31 (363)	13.00 (330)	0.56 (14)	1.00 (25)	6.78 (172)	7.53 (191)	0.63 (16)	16.31 (414)
B161410CH	16.00x14.00x10.00 (406x356x254)	P1614	P1614G	14.88x12.88 (378x327)	16.75x12.00 (425x305)	17.50x15.00 (445x381)	9.53 (254)	14.31 (363)	13.00 (330)	0.56 (14)	1.00 (25)	8.78 (223)	9.53 (242)	0.63 (16)	16.31 (414)

*Back panels must be ordered separately.

**LARGE B-CH SERIES ENCLOSURES
NEMA 12 JIC CONTINUOUS HINGE WALL-MOUNT**



B202007CH

Industry Standards

UL 508, Types 12 & 13
CSA Certified, Types 12 & 13
NEMA/EEMAC Type 12
JIC EL-1-71

UL File E6924

CSA File LL66078

FEATURES-SPECIFICATIONS

Applications

Designed to house electrical controls, terminals, instruments and components. Provide protection from dirt, dust, oil and water.

Construction

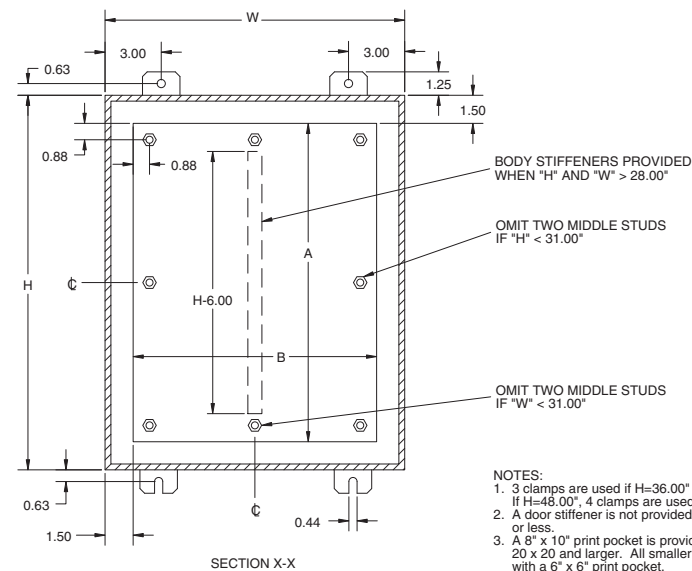
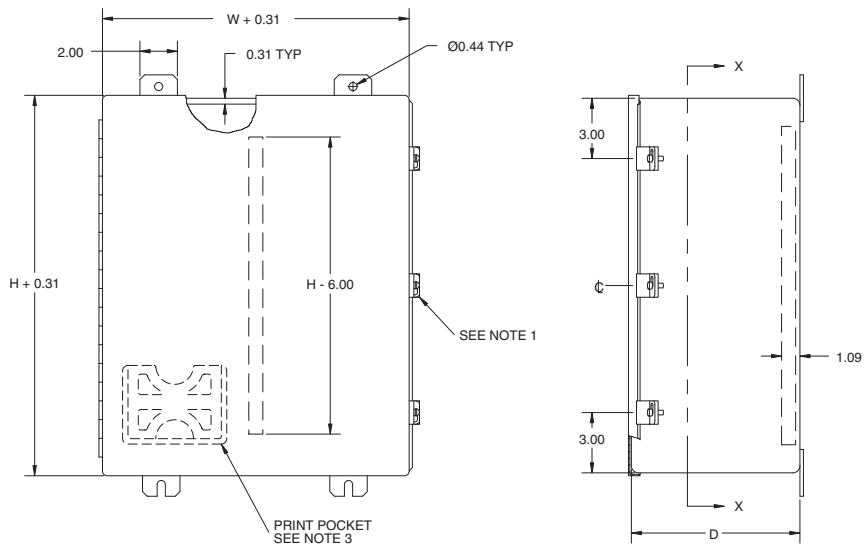
- Bodies and doors fabricated from 14 gauge steel
- Continuously welded seams ground smooth, less knockouts or holes
- Doors are sealed with poured in place polyurethane gasket
- External screw clamps on door
- Continuously hinged door is removable by pulling hinge pin
- Print pocket is provided
- Door and body stiffeners are provided in larger enclosures for added rigidity
- Collar studs are provided for mounting optional back panels
- External mounting feet
- Ground stud located in door

Finish

- ANSI-61 gray polyester powder inside and out
- Optional back panels are white polyester powder
- Optional "G" panels have a conductive finish (See page I4)

Accessories

- Back panels (reference tables)
- See pages J1-J22



**LARGE B-CH SERIES ENCLOSURES
NEMA 12 JIC CONTINUOUS HINGE WALL-MOUNT**

C7

LARGE B-CH SERIES JIC CONTINUOUS HINGED ENCLOSURES							
CATALOG NUMBER	BODY/DOOR STEEL GAUGE	ENCLOSURE SIZE H X W X D	BACK PANEL CATALOG NUMBER*		BACK PANEL SIZE A X B	STIFFENER	
			WHITE	"G"		DOOR	BODY
B201607CH	14/14	20.00x16.00x7.00 (508x406x178)	NP2016	NP2016G	17.00x13.00 (432x330)	NO	NO
B202007CH	14/14	20.00x20.00x7.00 (508x508x178)	NP2020	NP2020G	17.00x17.00 (432x432)	NO	NO
B242007CH	14/14	24.00x20.00x7.00 (610x508x178)	NP2420	NP2420G	21.00x17.00 (533x432)	NO	NO
B242407CH	14/14	24.00x24.00x7.00 (610x610x178)	NP2424	NP2424G	21.00x21.00 (533x533)	NO	NO
B302007CH	14/14	30.00x20.00x7.00 (762x508x178)	NP3020	NP3020G	27.00x17.00 (686x432)	NO	NO
B362407CH	14/14	36.00x24.00x7.00 (914x610x178)	NP3624	NP3624G	33.00x21.00 (838x533)	NO	NO
B201609CH	14/14	20.00x16.00x9.00 (508x406x229)	NP2016	NP2016G	17.00x13.00 (432x330)	NO	NO
B202009CH	14/14	20.00x20.00x9.00 (508x508x229)	NP2020	NP2020G	17.00x17.00 (432x432)	NO	NO
B242009CH	14/14	24.00x20.00x9.00 (610x508x229)	NP2420	NP2420G	21.00x17.00 (533x432)	NO	NO
B242409CH	14/14	24.00x24.00x9.00 (610x610x229)	NP2424	NP2424G	21.00x21.00 (533x533)	NO	NO
B302009CH	14/14	30.00x20.00x9.00 (762x508x229)	NP3020	NP3020G	27.00x17.00 (686x432)	NO	NO
B302409CH	14/14	30.00x24.00x9.00 (762x610x229)	NP3024	NP3024G	27.00x21.00 (686x533)	NO	NO
B362409CH	14/14	36.00x24.00x9.00 (914x610x229)	NP3624	NP3624G	33.00x21.00 (838x533)	NO	NO
B363009CH	14/14	36.00x30.00x9.00 (914x762x229)	NP3630	NP3630G	33.00x27.00 (838x686)	NO	YES
B423609CH	14/14	42.00x36.00x9.00 (1067x914x229)	NP4236	NP4236G	39.00x33.00 (991x838)	YES	YES
B242411CH	14/14	24.00x24.00x11.00 (610x610x279)	NP2424	NP2424G	21.00x21.00 (533x533)	NO	NO
B362411CH	14/14	36.00x24.00x11.00 (914x610x279)	NP3624	NP3624G	33.00x21.00 (838x533)	NO	NO
B483611CH	14/14	48.00x36.00x11.00 (1219x914x279)	NP4836	NP4836G	45.00x33.00 (1143x838)	YES	YES
B302413CH	14/14	30.00x24.00x13.00 (762x610x330)	NP3024	NP3024G	27.00x21.00 (686x533)	NO	NO
B363013CH	14/14	36.00x30.00x13.00 (914x762x330)	NP3630	NP3630G	33.00x27.00 (838x686)	NO	YES

* Back panels must be ordered separately.

**B-CHQR SERIES ENCLOSURES
NEMA 12 JIC CONTINUOUS HINGE QUICK-RELEASE WALL-MOUNT**



B060604CHQR

Industry Standards

UL 50, Types 12 & 13
CSA Certified, Type 12
NEMA/EEMAC Type 12 & 13
JIC EL-1-71

 UL Files E6924

 CSA File LL66078

FEATURES-SPECIFICATIONS

Applications

Intended for use as electrical junction boxes, terminal wiring boxes, and instrument housings. Hinged door with quick-release latching provide convenient access. Designed to provide protection from dust, dirt, oil, and water.

Construction

- Bodies 14 gauge and doors fabricated from 16 gauge steel
- Continuously welded seams ground smooth, less knockouts or holes

- Lids are sealed with closed cell oil resistant neoprene gasket
- External mounting plates, top and bottom of enclosure
- Weldnuts are provided for mounting optional panels securely on models 6.00" x 4.00" and larger
- External quick release latches secure cover
- Standard continuous hinge secures cover
- Grounding provisions provided

Finish

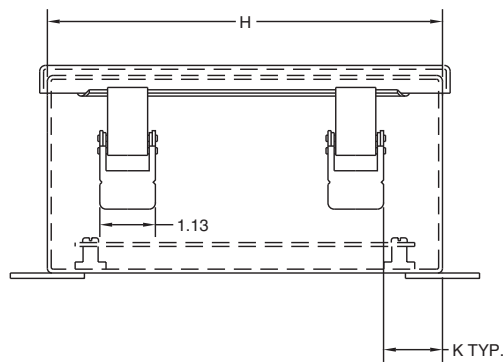
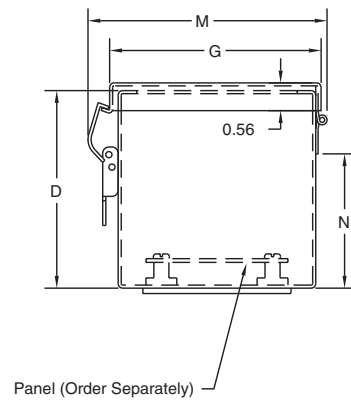
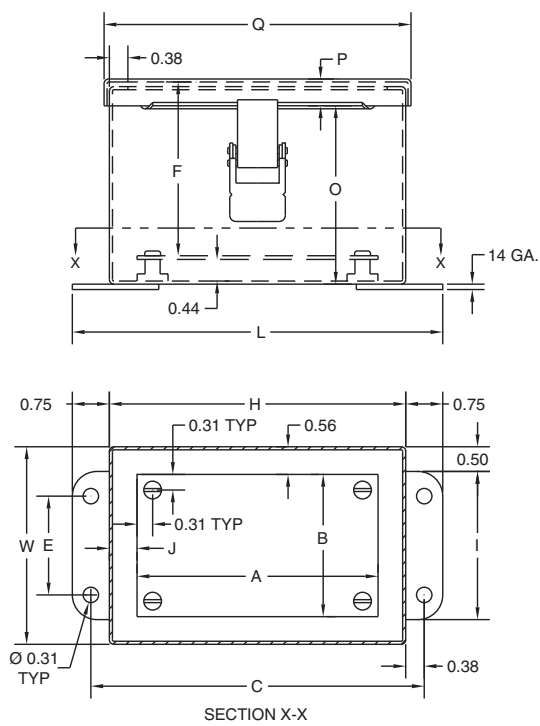
- ANSI-61 gray polyester powder inside and out .
- Optional back panels are white polyester powder
- Optional "G" panels have a conductive finish (See page I2)

Accessories

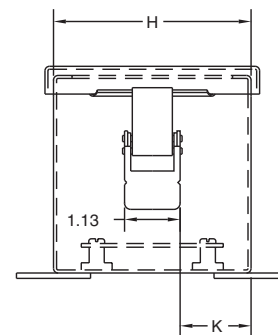
- Back panels (reference tables)
- See pages J1-J22

B-CHQR SERIES JIC CONTINUOUS HINGE QUICK-RELEASE ENCLOSURES															
CATALOG NUMBER	ENCLOSURE SIZE H X W X D	BACK PANEL CATALOG NUMBER*		BACK PANEL SIZE A X B	MOUNTING C X E	OVERALL L X M	F	G	I	J	K	N	O	P	Q
		WHITE	"G"												
B060403CHQR	6.00x4.00x3.00 (152x102x76)	P0604	P0604G	4.88x2.88 (124x73)	6.75x2.00 (171x51)	7.50x4.84 (191x123)	2.53 (76)	4.31 (109)	3.00 (76)	0.56 (14)	2.44 (62)	1.78 (45)	2.53 (64)	0.63 (16)	6.31 (160)
B060604CHQR	6.00x6.00x4.00 (152x152x102)	P0606	P0606G	4.88x4.88 (124x124)	6.75x4.00 (171x102)	7.50x6.84 (191x174)	3.53 (101)	6.31 (160)	5.00 (127)	0.56 (14)	2.44 (62)	2.78 (71)	3.53 (90)	0.63 (16)	6.31 (160)
B080603CHQR	8.00x6.00x3.50 (203x152x89)	P0806	P0806G	6.88x4.88 (175x124)	8.75x4.00 (222x102)	9.50x6.84 (241x174)	3.03 (88)	6.31 (160)	5.00 (127)	0.56 (14)	1.06 (27)	2.28 (58)	3.03 (77)	0.63 (16)	8.31 (211)
B100804CHQR	10.00x8.00x4.00 (254x203x102)	P1008	P1008G	8.88x6.88 (226x175)	10.75x6.00 (273x152)	11.50x8.84 (292x225)	3.53 (101)	8.31 (211)	7.00 (178)	0.56 (14)	1.06 (27)	2.78 (71)	3.53 (90)	0.63 (16)	10.31 (262)
B121005CHQR	12.00x10.00x5.00 (305x254x127)	P1210	P1210G	10.88x8.88 (276x226)	12.75x8.00 (324x203)	13.50x10.84 (343x275)	4.53 (127)	10.31 (262)	9.00 (229)	0.56 (14)	1.06 (27)	3.78 (96)	4.53 (115)	0.63 (16)	12.31 (313)
B141206CHQR	14.00x12.00x6.00 (356x305x152)	P1412	P1412G	12.88x10.88 (327x276)	14.75x10.00 (375x254)	15.50x12.84 (394x326)	5.53 (152)	12.31 (313)	11.00 (279)	0.56 (14)	1.06 (27)	4.78 (121)	5.53 (141)	0.63 (16)	14.31 (364)
B161406CHQR	16.00x14.00x6.00 (406x356x152)	P1614	P1614G	14.88x12.88 (378x327)	16.75x12.00 (425x305)	17.50x14.84 (445x377)	5.53 (152)	14.31 (363)	13.00 (330)	0.56 (14)	1.06 (27)	4.78 (121)	5.53 (141)	0.63 (16)	16.31 (414)

*Back panels must be ordered separately.



VIEW SHOWING CLAMP POSITION
WHEN "H" EQUALS 8" OR MORE



VIEW SHOWING CLAMP POSITION
WHEN "H" IS LESS THAN 8"



B060604SC

Industry Standards

UL 50, Types 12 & 13
(6" X 6" X 4" & above)
UL 508, Types 12 & 13
(6" X 4" X 4" & smaller)
CSA Certified, Type 12
NEMA/EEMAC Type 12 & 13
JIC EL-1-71

UL Files E23553, E64791

CSA File LL66078

FEATURES-SPECIFICATIONS

Applications

Designed for use as instrument housings, electrical control enclosures, terminal wiring boxes or electrical junction boxes. Provides protection from dirt, dust, oil and water.

Construction

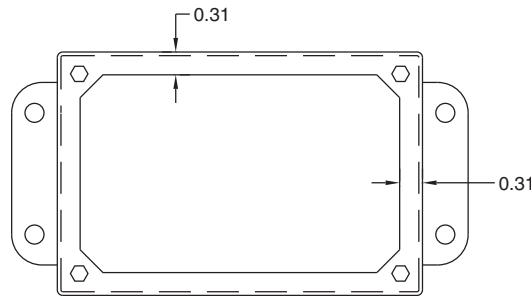
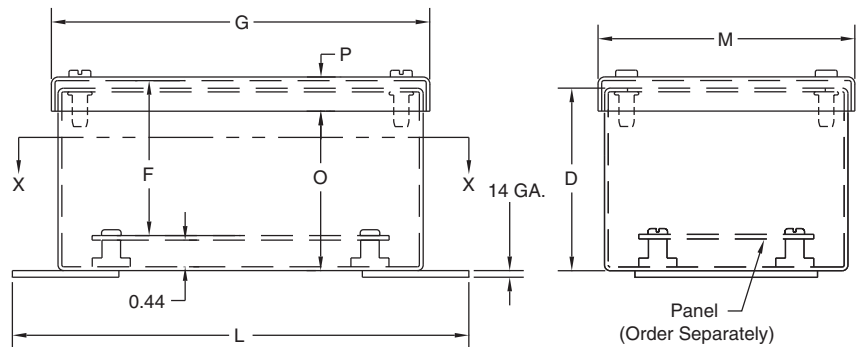
- Bodies and doors fabricated from 14 gauge steel
- Continuously welded seams ground smooth, less knockouts of holes
- Lids are sealed with closed cell oil resistant neoprene gasket
- External mounting plates, top and bottom of enclosure
- Weldnuts are provided on models 6.00" x 4.00" and larger to secure optional back panel
- Captivated cover screws are provided which thread into sealed wells to prevent leakage through cover
- Grounding provisions provided

Finish

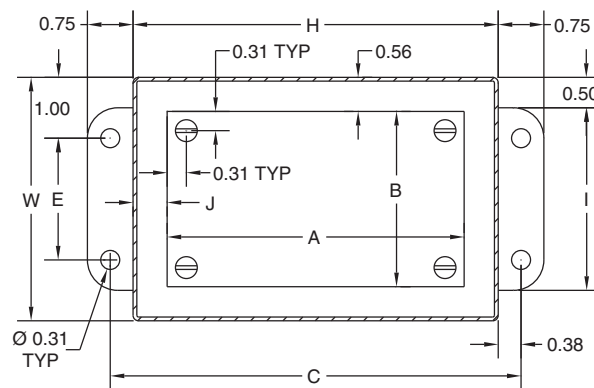
- ANSI-61 gray polyester powder inside and out
- Optional back panels are white polyester powder
- Optional "G" panels have a conductive finish (See page I2)

Accessories

- Back panels (reference tables)
- See pages J1-J22



TOP VIEW
COVER REMOVED



SECTION X-X



B-SC SERIES JIC SCREW COVER ENCLOSURES												
CATALOG NUMBER	ENCLOSURE SIZE H X W X D	BACK PANEL CATALOG NUMBER*		BACK PANEL SIZE A X B	MOUNTING C X E	OVERALL L X M	F	G	I	J	O	P
		WHITE	"G"									
B040403SC	4.00x4.00x3.00 (102x102x76)	—	—	—	4.75x2.00 (121x51)	5.50x4.31 (140x110)	2.53 (64)	4.31 (110)	3.00 (76)	—	2.59 (66)	0.56 (14)
B040404SC	4.00x4.00x4.00 (102x102x102)	—	—	—	4.75x2.00 (121x51)	5.50x4.31 (140x110)	3.53 (90)	4.31 (110)	3.00 (76)	—	3.59 (91)	0.56 (14)
B060403SC	6.00x4.00x3.00 (152x102x76)	P0604	P0604G	4.88x2.88 (124x73)	6.75x2.00 (171x51)	7.50x4.31 (191x110)	2.53 (64)	6.31 (160)	3.00 (76)	0.56 (14)	2.59 (66)	0.56 (14)
B060404SC	6.00x4.00x4.00 (152x102x102)	P0604	P0604G	4.88x2.88 (124x73)	6.75x2.00 (171x51)	7.50x4.31 (191x110)	3.53 (90)	6.31 (160)	3.00 (76)	0.56 (14)	3.59 (91)	0.56 (14)
B060604SC	6.00x6.00x4.00 (152x152x102)	P0606	P0606G	4.88x4.88 (124x124)	6.75x4.00 (171x102)	7.50x6.31 (191x160)	3.53 (90)	6.31 (160)	5.00 (127)	0.56 (14)	3.59 (91)	0.56 (14)
B080603SC	8.00x6.00x3.50 (203x152x89)	P0806	P0806G	6.88x4.88 (175x124)	8.75x4.00 (222x102)	9.50x6.31 (241x160)	3.03 (77)	8.31 (211)	5.00 (127)	0.56 (14)	3.09 (79)	0.56 (14)
B080606SC	8.00x6.00x6.00 (203x152x152)	P0806	P0806G	6.88x4.88 (175x124)	8.75x4.00 (222x102)	9.50x6.31 (241x160)	5.53 (141)	8.31 (211)	5.00 (127)	0.56 (14)	5.59 (142)	0.56 (14)
B080804SC	8.00x8.00x4.00 (203x203x102)	P0808	P0808G	6.88x6.88 (175x175)	8.75x6.00 (222x152)	9.50x8.31 (241x211)	3.53 (90)	8.31 (211)	7.00 (178)	0.56 (14)	3.59 (91)	0.56 (14)
B100804SC	10.00x8.00x4.00 (254x203x102)	P1008	P1008G	8.88x6.88 (226x175)	10.75x6.00 (273x152)	11.50x8.31 (292x211)	3.53 (90)	10.31 (262)	7.00 (178)	0.56 (14)	3.59 (91)	0.56 (14)
B100806SC	10.00x8.00x6.00 (254x203x152)	P1008	P1008G	8.88x6.88 (226x175)	10.75x6.00 (273x152)	11.50x8.31 (292x211)	5.53 (141)	10.31 (262)	7.00 (178)	0.56 (14)	5.59 (142)	0.56 (14)
B101004SC	10.00x10.00x4.00 (254x254x102)	P1010	P1010G	8.88x8.88 (225x225)	10.75x8.00 (273x203)	11.50x10.31 (292x262)	3.53 (90)	10.31 (262)	9.00 (229)	0.56 (14)	3.59 (91)	0.56 (14)
B101006SC	10.00x10.00x6.00 (254x254x152)	P1010	P1010G	8.88x8.88 (225x225)	10.75x8.00 (273x203)	11.50x10.31 (292x262)	5.53 (141)	10.31 (262)	9.00 (229)	0.56 (14)	5.59 (142)	0.56 (14)
B121005SC	12.00x10.00x5.00 (305x254x127)	P1210	P1210G	10.88x8.88 (276x226)	12.75x8.00 (324x203)	13.50x10.31 (343x262)	4.53 (115)	12.31 (313)	9.00 (229)	0.56 (14)	4.59 (117)	0.56 (14)
B121206SC	12.00x12.00x6.00 (305x305x152)	P1212	P1212G	10.88x10.88 (276x276)	12.75x10.00 (324x254)	13.50x12.31 (343x313)	5.53 (141)	12.31 (313)	11.00 (279)	0.56 (14)	5.59 (142)	0.56 (14)
B141206SC	14.00x12.00x6.00 (356x305x152)	P1412	P1412G	12.88x10.88 (327x276)	14.75x10.00 (375x254)	15.50x12.31 (394x313)	5.53 (141)	14.31 (364)	11.00 (279)	0.56 (14)	5.59 (142)	0.56 (14)
B161406SC	16.00x14.00x6.00 (406x356x152)	P1614	P1614G	14.88x12.88 (378x327)	16.75x12.00 (425x305)	17.50x14.31 (445x364)	5.53 (141)	16.31 (414)	13.00 (330)	0.56 (14)	5.59 (142)	0.56 (14)

*Back panels must be ordered separately.

WA-GIE SERIES ENCLOSURES NEMA 12 JIC HINGED SCREW COVER WALL-MOUNT



WA060604GIE

Industry Standards

UL 50, Types 12 & 13
CSA Certified, Type 12
NEMA/EEMAC Type 12 & 13
JIC EL-1-71

 UL File E6924

 CSA File LL66078

FEATURES-SPECIFICATIONS

Applications

Designed for use as instrument housings, electrical control enclosures, terminal wiring boxes or electrical junction boxes. Provides protection from dirt, dust, oil and water.

Construction

- Fabricated from 14 gauge steel
- Continuously welded seams ground smooth, less knockouts or holes

- Lids are sealed with closed cell oil resistant neoprene gasket
- Cover is secured by continuous hinge
- Captivated door screws thread into sealed wells
- No mounting feet or mounting holes are provided
- Weldnuts are provided to mount optional panels
- Grounding provisions provided

Finish

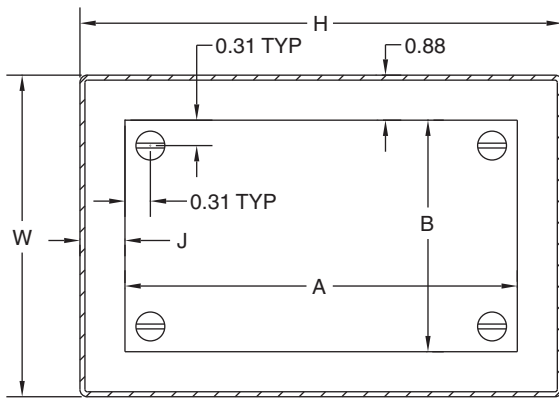
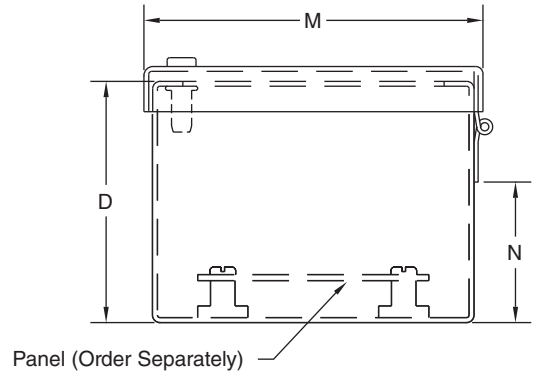
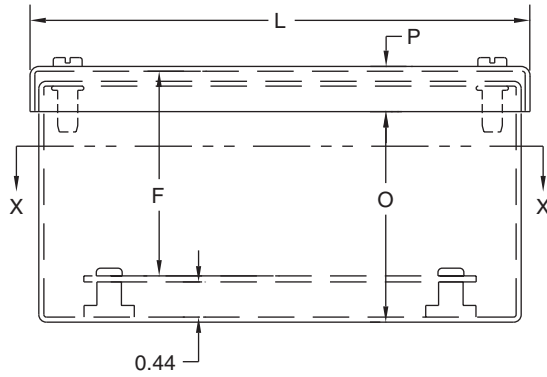
- ANSI-61 gray polyester powder inside and out
- **Optional** back panels are white polyester powder

Accessories

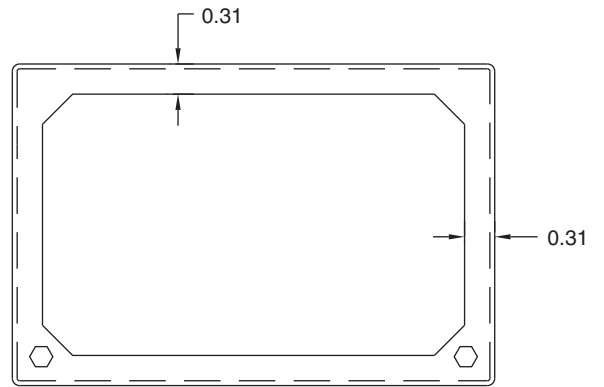
- Back panels (reference tables)
- See pages J1-J22

WA-GIE SERIES JIC HINGED SCREW COVER ENCLOSURES									
CATALOG NUMBER	ENCLOSURE CATALOG H X W X D	BACK PANEL CATALOG NUMBER*	BACK PANEL SIZE A X B	OVERALL L X M	F	J	N	O	P
		WHITE							
WA060604GIE	6.00x6.00x4.00 (152x152x102)	N1P0606	4.25x4.25 (108x108)	6.31x6.31 (160x160)	3.53 (90)	0.88 (22)	2.78 (71)	3.59 (91)	0.56 (14)
WA080604GIE	8.00x6.00x4.00 (203x152x102)	N1P0608	6.25x4.25 (159x108)	8.31x6.31 (211x160)	3.53 (90)	0.88 (22)	2.78 (71)	3.59 (91)	0.56 (14)
WA080804GIE	8.00x8.00x4.00 (203x203x102)	N1P0808	6.25x6.25 (159x159)	8.31x8.31 (211x211)	3.53 (90)	0.88 (22)	2.78 (71)	3.59 (91)	0.56 (14)
WA080806GIE	8.00x8.00x6.00 (203x203x152)	N1P0808	6.25x6.25 (159x159)	8.31x8.31 (211x211)	5.53 (141)	0.88 (22)	4.78 (121)	5.59 (142)	0.56 (14)
WA100804GIE	10.00x8.00x4.00 (254x203x102)	N1P0810	8.25x6.25 (210x159)	10.31x8.31 (262x211)	3.53 (90)	0.88 (22)	2.78 (71)	3.59 (91)	0.56 (14)
WA100806GIE	10.00x8.00x6.00 (254x203x152)	N1P0810	8.25x6.25 (210x159)	10.31x8.31 (262x211)	5.53 (141)	0.88 (22)	4.78 (121)	5.59 (142)	0.56 (14)
WA101006GIE	10.00x10.00x6.00 (254x254x152)	N1P1010	8.25x8.25 (210x210)	10.31x10.31 (262x262)	5.53 (141)	0.88 (22)	4.78 (121)	5.59 (142)	0.56 (14)
WA121004GIE	12.00x10.00x4.00 (305x254x102)	N1P1012	10.25x8.25 (260x210)	12.31x10.31 (313x262)	3.53 (90)	0.88 (22)	2.78 (71)	3.59 (91)	0.56 (14)
WA121006GIE	12.00x10.00x6.00 (305x254x152)	N1P1012	10.25x8.25 (260x210)	12.31x10.31 (313x262)	5.53 (141)	0.88 (22)	4.78 (121)	5.59 (142)	0.56 (14)
WA121206GIE	12.00x12.00x6.00 (305x305x152)	N1P1212	10.25x10.25 (260x260)	12.31x12.31 (313x313)	5.53 (141)	0.88 (22)	4.78 (121)	5.59 (142)	0.56 (14)
WA141206GIE	14.00x12.00x6.00 (356x305x152)	N1P1214	12.25x10.25 (311x260)	14.31x12.31 (364x313)	5.53 (141)	0.88 (22)	4.78 (121)	5.59 (142)	0.56 (14)

* Back panels must be ordered separately.



SECTION X-X



TOP VIEW COVER REMOVED



JIC040402

Industry Standards

UL508, Types 12, 13
CSA Certified, Type 12
NEMA/EEMAC Type 12 & 13
JIC EL-1-71

 UL File E64791

 CSA File LL66078

FEATURES-SPECIFICATIONS

Applications

Ideal for use where protection from dirt, dust, oil and water is needed. Particularly suitable for use with liquid-tight flexible conduit.

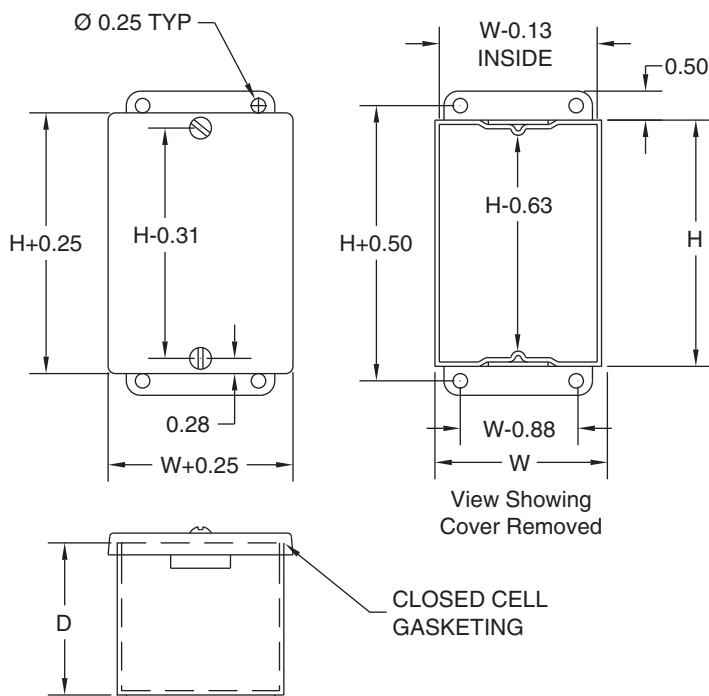
Construction

- Bodies and doors fabricated from 14 gauge steel
- Drawn lid which features no welded seams or sharp corners
- No holes or conduit knockouts
- Cover screws thread into neoprene gasket for maximum sealing
- External mounting plates, top and bottom of enclosure
- Ground stud located in door
- Lids are sealed with closed cell oil resistant neoprene gasket

Finish

- ANSI 61 gray polyester powder inside and out

JIC HANDY SERIES SCREW COVER ENCLOSURES		
CATALOG NUMBER	BODY/DOOR STEEL GAUGE	ENCLOSURE SIZE H X W X D
JIC040202	14/14	4.00x2.00x2.00 (102x51x51)
JIC0403025	14/14	4.25x2.88x2.63 (108x73x67)
JIC040403	14/14	4.00x4.00x3.00 (102x102x76)





JIC040402

Industry Standards

UL 50 Listed, Types 4, 12 & 13
CSA Certified, Types 12 & 13
Meets NEMA/EEMAC Type 4, 12 & 13

UL Files E6924, E64791

CSA File LL66078

FEATURES-SPECIFICATIONS

Applications

Fabricated to meet strict automotive requirements. Wiegmann flange FTC (flange trough collar) enclosures offer unique tub flanges that maximize internal protection. Designed to provide protection from dust, dirt, oil, and water. Optional sub panels sold separately.

Construction

- 16 gauge steel body, 16 or 14 gauge steel door
- Special 360 degree tub flange design diverts contaminants away from tub opening
- Continuous hinge
- Continuously welded seams ground smooth, less knockouts or holes.
- Closed cell neoprene oil resistant gasket
- External mounting plates, top and bottom of enclosure.
- Weldnuts are provided for mounting optional panels
- With special quick release latches
- Grounding provisions provided

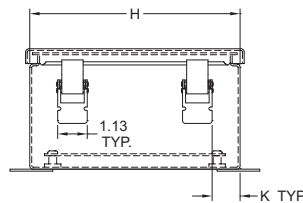
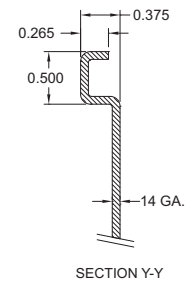
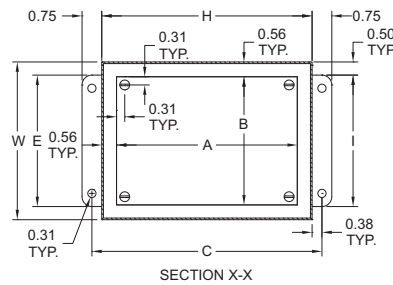
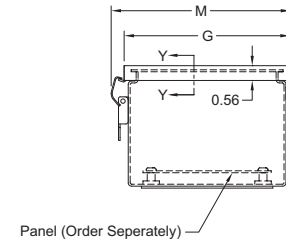
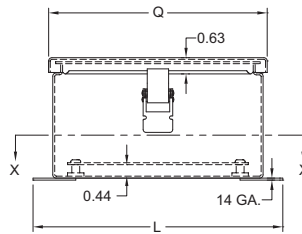
Finish

- ANSI 61 gray polyester powder inside and out
- Optional back panels are white polyester powder
- Optional "G" panels have a conductive finish (See page I2)

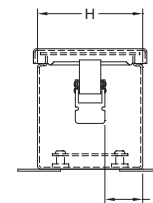
Accessories

- Back panels (reference tables)
- Terminal kits
- See pages J1-J22

B-CHFTC JIC ENCLOSURES				
CATALOG NUMBER	BODY/DOOR STEEL GAUGE	BACK PANEL CATALOG NUMBER		ENCLOSURE SIZE H X W X D
		WHITE	"G"	
B0604045CHFTC	14/14	P0604	P0604G	6.00x4.00x4.54 (152x102x115)
B0606045CHFTC	14/14	P0606	P0606G	6.00x4.00x4.54 (152x102x115)
B0806045CHFTC	14/14	P0806	P0806G	8.00x6.00x4.54 (203x152x115)
B100845CHFTC	14/14	P1008	P1008G	10.00x8.00x4.54 (254x203x115)
B121055CHFTC	14/14	P1210	P1210G	12.00x10.00x4.54 (305x254x115)
B141265CHFTC	14/14	P1412	P1412G	14.00x12.00x6.54 (356x305x166)
B1614065CHFTC	14/14	P1614	P1614G	16.00x14.00x6.54 (406x356x166)



VIEW SHOWING CLAMP POSITION WHEN "H" EQUALS 8.00" OR MORE



VIEW SHOWING CLAMP POSITION WHEN "H" IS LESS THAN 8.00"

N12 SERIES ENCLOSURES NEMA 12 SINGLE DOOR WALL-MOUNT



N12161206

Industry Standards

UL 508, Types 12 & 13
CSA Certified, Type 12
NEMA/EEMAC Type 12 & 13

 UL Files E64791

 CSA File LL66078

FEATURES-SPECIFICATIONS

Applications

Intended for use in housing electrical and electronic controls, instruments, components, and associated wiring, these enclosures incorporate hinged doors which provide convenient access. Designed for indoor use in protecting components from dust, dirt, oil, and water.

Construction

- Bodies and doors fabricated from 14 gauge steel
- Continuously plasma welded seams
- Door and body stiffeners are provided in larger enclosures for extra rigidity

- Rolled lip on three sides of door and all sides of enclosure opening is provided to exclude liquids and contaminants
- Quick and easy to operate door clamps are provided
- Doors removable by pulling heavy gauge continuous hinge pin
- Hasp and staple for padlocking
- Print pocket is provided
- Doors are sealed with poured in place polyurethane gasket
- Collar studs provided for mounting optional sub panels
- External mounting feet for mounting enclosure

- Grounding provisions provided
- Optional panels must be ordered separately

Finish

- ANSI-61 gray polyester powder inside and outside
- Optional back panels are painted white polyester powder
- Optional "G" panels have a conductive finish (See page I4)

Accessories

- Panels (reference tables)
- See pages J1-J22

N12 SERIES SINGLE DOOR ENCLOSURES								
CATALOG NUMBER	ENCLOSURE SIZE H X W X D	BACK PANEL CATALOG NUMBER *		BACK PANEL SIZE A X B	E	NO. OF DOOR CLAMPS	STIFFENER	
		WHITE	"G"				DOOR	BODY
N12122406	12.00x24.00x6.00 (305x610x152)	NP1224	NP1224G	9.00x21.00 (229x533)	0	2	No	No
N12161206	16.00x12.00x6.00 (406x305x152)	NP1612	NP1612G	13.00x9.00 (330x229)	0	2	No	No
N12161606	16.00x16.00x6.00 (406x406x152)	NP1616	NP1616G	13.00x13.00 (330x330)	0	2	No	No
N12162006	16.00x20.00x6.00 (406x508x152)	NP2016	NP2016G	13.00x17.00 (330x432)	0	2	No	No
N12201206	20.00x12.00x6.00 (508x305x152)	NP2012	NP2012G	17.00x9.00 (432x229)	0	2	No	No
N12201606	20.00x16.00x6.00 (508x406x152)	NP2016	NP2016G	17.00x13.00 (432x330)	0	2	No	No
N12202006	20.00x20.00x6.00 (508x508x152)	NP2020	NP2020G	17.00x17.00 (432x432)	0	2	No	No
N12202406	20.00x24.00x6.00 (508x610x152)	NP2420	NP2420G	17.00x21.00 (432x533)	0	2	No	No
N12241206	24.00x12.00x6.00 (610x305x152)	NP1224	NP1224G	21.00x9.00 (533x229)	0	2	No	No
N12241606	24.00x16.00x6.00 (610x406x152)	NP2416	NP2416G	21.00x13.00 (533x330)	0	2	No	No
N12242006	24.00x20.00x6.00 (610x508x152)	NP2420	NP2420G	21.00x17.00 (533x432)	0	2	No	No
N12242406	24.00x24.00x6.00 (610x610x152)	NP2424	NP2424G	21.00x21.00 (533x533)	0	2	No	No
N12301606	30.00x16.00x6.00 (762x406x152)	NP3016	NP3016G	27.00x13.00 (686x330)	0	2	No	No
N12302006	30.00x20.00x6.00 (762x508x152)	NP3020	NP3020G	27.00x17.00 (686x432)	0	2	No	No
N12302406	30.00x24.00x6.00 (762x610x152)	NP3024	NP3024G	27.00x21.00 (686x533)	0	2	No	No

*Back panels must be ordered separately.

Continued on page C17

**N12 SERIES ENCLOSURES
NEMA 12 SINGLE DOOR WALL-MOUNT**

C17

N12 SERIES SINGLE DOOR ENCLOSURES (CONT.)								
CATALOG NUMBER	ENCLOSURE SIZE H X W X D	BACK PANEL CATALOG NUMBER*		BACK PANEL SIZE A X B	E	NO. OF DOOR CLAMPS	STIFFENER	
		WHITE	"G"				DOOR	BODY
N12362406	36.00x24.00x6.00 (914x610x152)	NP3624	NP3624G	33.00x21.00 (838x533)	—	2	No	No
N12363006	36.00x30.00x6.00 (914x762x152)	NP3630	NP3630G	33.00x27.00 (838x686)	—	2	No	Yes
N12122408	12.00x24.00x8.00 (305x610x203)	NP1224	NP1224G	9.00x21.00 (229x533)	—	2	No	No
N12161208	16.00x12.00x8.00 (406x305x203)	NP1612	NP1612G	13.00x9.00 (330x229)	—	2	No	No
N12161608	16.00x16.00x8.00 (406x406x203)	NP1616	NP1616G	13.00x13.00 (330x330)	—	2	No	No
N12162008	16.00x20.00x8.00 (406x508x203)	NP2016	NP2016G	13.00x17.00 (330x432)	—	2	No	No
N12201208	20.00x12.00x8.00 (508x305x203)	NP2012	NP2012G	17.00x9.00 (432x229)	—	2	No	No
N12201608	20.00x16.00x8.00 (508x406x203)	NP2016	NP2016G	17.00x13.00 (432x330)	—	2	No	No
N12202008	20.00x20.00x8.00 (508x508x203)	NP2020	NP2020G	17.00x17.00 (432x432)	—	2	No	No
N12202408	20.00x24.00x8.00 (508x610x203)	NP2420	NP2420G	17.00x21.00 (432x533)	—	2	No	No
N12241208	24.00x12.00x8.00 (610x305x203)	NP1224	NP1224G	21.00x9.00 (533x229)	—	2	No	No
N12241608	24.00x16.00x8.00 (610x406x203)	NP2416	NP2416G	21.00x13.00 (533x330)	—	2	No	No
N12242008	24.00x20.00x8.00 (610x508x203)	NP2420	NP2420G	21.00x17.00 (533x432)	—	2	No	No
N12242408	24.00x24.00x8.00 (610x610x203)	NP2424	NP2424G	21.00x21.00 (533x533)	—	2	No	No
N12243008	24.00x30.00x8.00 (610x762x203)	NP3024	NP3024G	21.00x27.00 (533x686)	—	2	No	No
N12302008	30.00x20.00x8.00 (762x508x203)	NP3020	NP3020G	27.00x17.00 (686x432)	—	2	No	No
N12302408	30.00x24.00x8.00 (762x610x203)	NP3024	NP3024G	27.00x21.00 (686x533)	—	2	No	No
N12303008	30.00x30.00x8.00 (762x762x203)	NP3030	NP3030G	27.00x27.00 (686x686)	—	2	No	Yes
N12303608	30.00x36.00x8.00 (762x914x203)	NP3630	NP3630G	27.00x33.00 (686x838)	—	2	No	Yes
N12362408	36.00x24.00x8.00 (914x610x203)	NP3624	NP3624G	33.00x21.00 (838x533)	—	2	No	No
N12363008	36.00x30.00x8.00 (914x762x203)	NP3630	NP3630G	33.00x27.00 (838x686)	—	2	No	Yes
N12363608	36.00x36.00x8.00 (914x914x203)	NP3636	NP3636G	33.00x33.00 (838x838)	—	2	Yes	Yes
N12422408	42.00x24.00x8.00 (1067x610x203)	NP4224	NP4224G	39.00x21.00 (991x533)	8.813 (224)	3	No	No
N12423008	42.00x30.00x8.00 (1067x762x203)	NP4230	NP4230G	39.00x27.00 (991x686)	8.813 (224)	3	Yes	Yes
N12423608	42.00x36.00x8.00 (1067x914x203)	NP4236	NP4236G	39.00x33.00 (991x838)	8.813 (224)	3	Yes	Yes
N12482408**	48.00x24.00x8.00 (1219x610x203)	NP4824	NP4824G	45.00x21.00 (1143x533)	10.313 (262)	3	No	No
N12483008**	48.00x30.00x8.00 (1219x762x203)	NP4830	NP4830G	45.00x27.00 (1143x686)	10.313 (262)	3	Yes	Yes
N12483608**	48.00x36.00x8.00 (1219x914x203)	NP4836	NP4836G	45.00x33.00 (1143x838)	10.313 (262)	3	Yes	Yes
N12603608**	60.00x36.00x8.00 (1524x914x203)	NP6036	NP6036G	57.00x33.00 (1448x838)	13.313 (338)	3	Yes	Yes
N12161210	16.00x12.00x10.00 (406x305x254)	NP1612	NP1612G	13.00x9.00 (330x229)	—	2	No	No
N12201610	20.00x16.00x10.00 (508x406x254)	NP2016	NP2016G	17.00x13.00 (432x330)	—	2	No	No
N12202010	20.00x20.00x10.00 (508x508x254)	NP2020	NP2020G	17.00x17.00 (432x432)	—	2	No	No
N12241210	24.00x12.00x10.00 (610x305x254)	NP2412	NP2412G	21.00x9.00 (533x229)	—	2	No	No
N12242010	24.00x20.00x10.00 (610x508x254)	NP2420	NP2420G	21.00x17.00 (533x432)	—	2	No	No
N12242410	24.00x24.00x10.00 (610x610x254)	NP2424	NP2424G	21.00x21.00 (533x533)	—	2	No	No
N12302010	30.00x20.00x10.00 (762x508x254)	NP3020	NP3020G	27.00x17.00 (686x432)	—	2	No	No
N12302410	30.00x24.00x10.00 (762x610x254)	NP3024	NP3024G	27.00x21.00 (686x533)	—	2	No	No
N12362410	36.00x24.00x10.00 (914x610x254)	NP3624	NP3624G	33.00x21.00 (838x533)	—	2	No	No
N12363010	36.00x30.00x10.00 (914x762x254)	NP3630	NP3630G	33.00x27.00 (838x686)	—	2	No	Yes
N12423010	42.00x30.00x10.00 (1067x762x254)	NP4230	NP4230G	39.00x27.00 (991x686)	8.813 (224)	3	Yes	Yes
N12423610	42.00x36.00x10.00 (1067x914x254)	NP4236	NP4236G	39.00x33.00 (991x838)	8.813 (224)	3	Yes	Yes
N12483010**	48.00x30.00x10.00 (1219x762x254)	NP4830	NP4830G	45.00x27.00 (1143x686)	10.313 (262)	3	Yes	Yes
N12483610**	48.00x36.00x10.00 (1219x914x254)	NP4836	NP4836G	45.00x33.00 (1143x838)	10.313 (262)	3	Yes	Yes
N12603610**	60.00x36.00x10.00 (1524x914x254)	NP6036	NP6036G	57.00x33.00 (1448x838)	13.313 (338)	3	Yes	Yes
N12201612	20.00x16.00x12.00 (508x406x305)	NP2016	NP2016G	17.00x13.00 (432x330)	—	2	No	No
N12242012	24.00x20.00x12.00 (610x508x305)	NP2420	NP2420G	21.00x17.00 (533x432)	—	2	No	No
N12242412	24.00x24.00x12.00 (610x610x305)	NP2424	NP2424G	21.00x21.00 (533x533)	—	2	No	No
N12302412	30.00x24.00x12.00 (762x610x305)	NP3024	NP3024G	27.00x21.00 (686x533)	—	2	No	No
N12303012	30.00x30.00x12.00 (762x762x305)	NP3030	NP3030G	27.00x27.00 (686x686)	—	2	No	Yes
N12362412	36.00x24.00x12.00 (914x610x305)	NP3624	NP3624G	33.00x21.00 (838x533)	—	2	No	No
N12363012	36.00x30.00x12.00 (914x762x305)	NP3630	NP3630G	33.00x27.00 (838x686)	—	2	No	Yes
N12363612	36.00x36.00x12.00 (914x914x305)	NP3636	NP3636G	33.00x33.00 (838x838)	—	2	Yes	Yes
N12423012	42.00x30.00x12.00 (1067x762x305)	NP4230	NP4230G	39.00x27.00 (991x686)	8.813 (224)	3	Yes	Yes

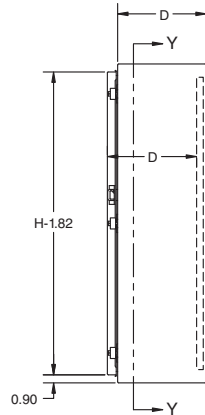
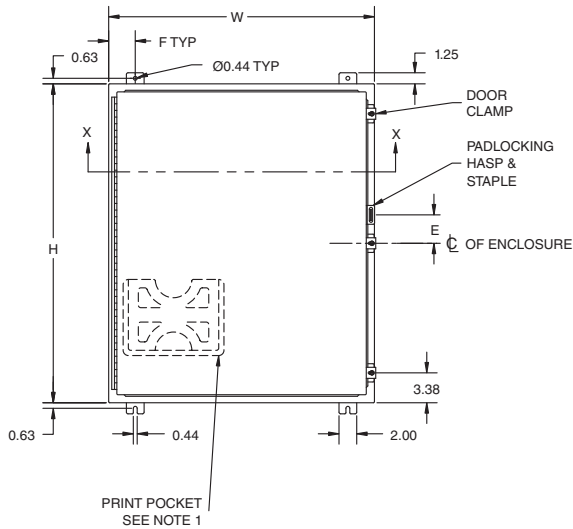
*Back panels must be ordered separately.

Continued on page C18

N12 SERIES SINGLE DOOR ENCLOSURES (CONT.)								
CATALOG NUMBER	ENCLOSURE SIZE H X W X D	BACK PANEL CATALOG NUMBER*		BACK PANEL SIZE A X B	E	NO. OF DOOR CLAMPS	STIFFENER	
		WHITE	"G"				DOOR	BODY
N12423612	42.00x36.00x12.00 (1067x914x305)	NP4236	NP4236G	39.00x33.00 (991x838)	8.813 (224)	3	Yes	Yes
N12483612**	48.00x36.00x12.00 (1219x914x305)	NP4836	NP4836G	45.00x33.00 (1143x838)	10.313 (262)	3	Yes	Yes
N12603612**	60.00x36.00x12.00 (1524x914x305)	NP6036	NP6036G	57.00x33.00 (1448x838)	13.313 (338)	3	Yes	Yes
N12723012**	72.00x30.00x12.00 (1829x762x305)	NP7230	NP7230G	69.00x27.00 (1753x686)	0	4	Yes	Yes
N12723612**	72.00x36.00x12.00 (1829x914x305)	NP7236	NP7236G	69.00x33.00 (1753x838)	0	4	Yes	Yes
N12242016**	24.00x20.00x16.00 (610x508x406)	NP2420	NP2420G	21.00x17.00 (533x432)	0	2	No	No
N12242416**	24.00x24.00x16.00 (610x610x406)	NP2424	NP2424G	21.00x21.00 (533x533)	0	2	No	No
N12302416**	30.00x24.00x16.00 (762x610x406)	NP3024	NP3024G	27.00x21.00 (686x533)	0	2	No	No
N12363016**	36.00x30.00x16.00 (914x762x406)	NP3630	NP3630G	33.00x27.00 (838x686)	0	2	No	Yes
N12423616**	42.00x36.00x16.00 (1067x914x406)	NP4236	NP4236G	39.00x33.00 (991x838)	8.813 (224)	3	Yes	Yes
N12483616**	48.00x36.00x16.00 (1219x914x406)	NP4836	NP4836G	45.00x33.00 (1143x838)	10.313 (262)	3	Yes	Yes
N12603616**	60.00x36.00x16.00 (1524x914x406)	NP6036	NP6036G	57.00x33.00 (1448x838)	13.313 (338)	3	Yes	Yes
N12723016**	72.00x30.00x16.00 (1829x762x406)	NP7230	NP7230G	69.00x27.00 (1753x686)	0	4	Yes	Yes
N12302420**	30.00x24.00x20.00 (762x610x508)	NP3024	NP3024G	27.00x21.00 (686x533)	0	2	No	No
N12363020**	36.00x30.00x20.00 (914x762x508)	NP3630	NP3630G	33.00x27.00 (838x686)	0	2	No	Yes
N12483620**	48.00x36.00x20.00 (1219x914x508)	NP4836	NP4836G	45.00x33.00 (1143x838)	10.313 (262)	3	Yes	Yes
N12603620**	60.00x36.00x20.00 (1524x914x508)	NP6036	NP6036G	57.00x33.00 (1448x838)	13.313 (338)	3	Yes	Yes
N12302424**	30.00x24.00x24.00 (762x610x610)	NP3024	NP3024G	27.00x21.00 (686x533)	0	2	No	No

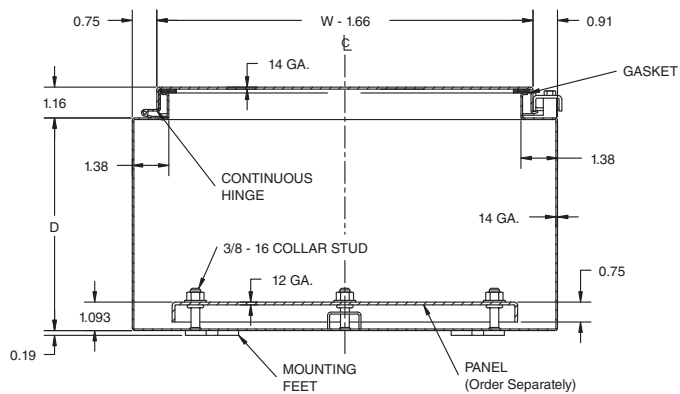
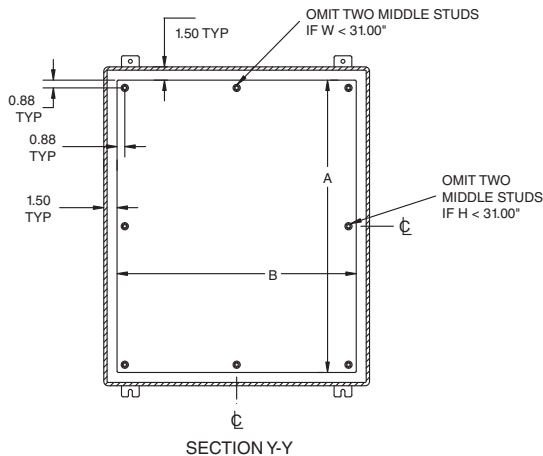
*Back panels must be ordered separately.

**Enclosures are supplied with closed cell neoprene gasket (not foam-in-place)



NOTES:

1. Large print pocket (8X10) is furnished if H = 20.00" or more and W = 20.00" or more. Otherwise small (6X6) print pocket is provided.
2. Panels are made from 12 Ga. steel.
3. Panels have flanges along all sides when either dimension exceeds 17".
4. The number of door clamps is dependent on size of enclosure. Clamps are furnished on right side of door.
5. F = 3" when W is 16" or greater and F = 1-1/4" when W is 12" or less.





WA244808WF

Industry Standards

UL 508, Type 12
CSA Certified, Type 12
NEMA/EEMAC Type 12

 UL Files E64791

 CSA File LL66078

FEATURES-SPECIFICATIONS

Applications

Intended for use in housing electrical and electronic controls, instruments, components, and associated wiring, these enclosures incorporate double-hinged doors which provide convenient access. Designed for indoor use in protecting components from dust, dirt, oil, and water.

Construction

- Bodies and doors fabricated from 14 gauge steel
- Continuously welded seams ground smooth, less knockouts or holes
- Body stiffeners are added in larger enclosures for extra rigidity

- Rolled lip around all side of enclosure opening is provided to exclude liquids and contaminants
- Special overlapping door design eliminates need for center post
- 3-point latching mechanism operates with an oil-tight locking handle
- Doors are removable by pulling heavy gauge continuous hinge pin
- Doors are sealed with closed cell neoprene gasket
- Collar studs are provided for mounting optional sub panels
- External mounting feet are provided for mounting

- Grounding provisions provided
- Print pocket is provided

Finish

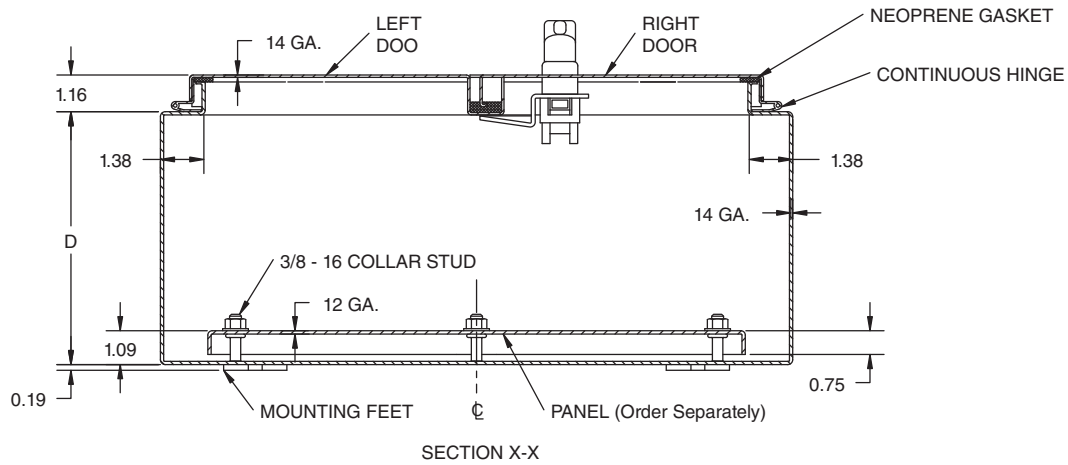
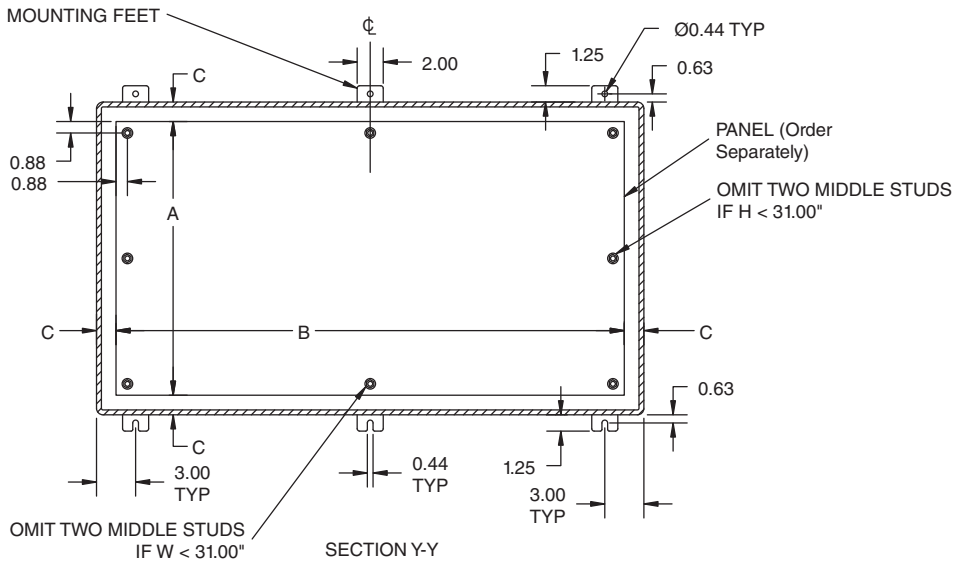
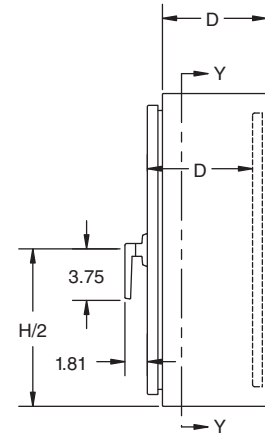
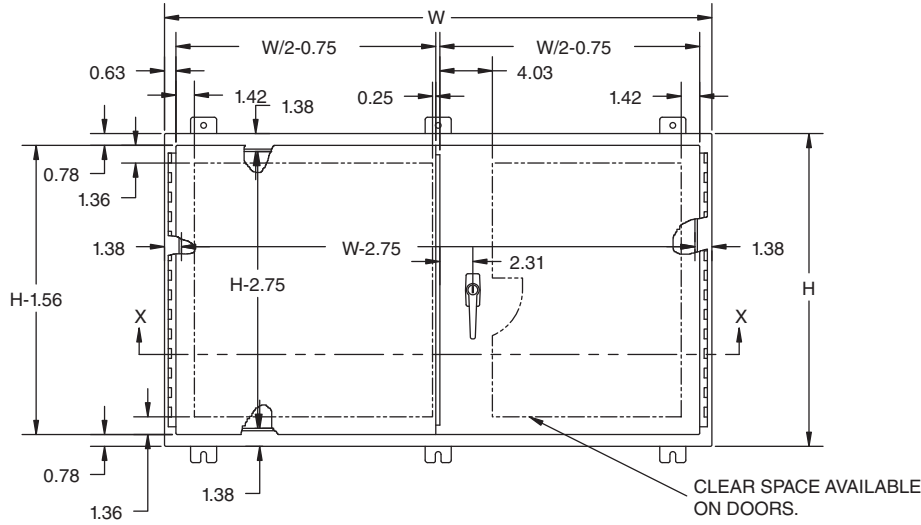
- ANSI-61 gray polyester powder inside and out
- Optional back panels are painted white polyester powder
- Optional "G" panels have a conductive finish (See pages I4 & I7)

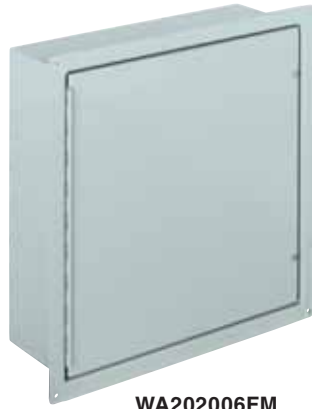
Accessories

- Panels (reference tables)
- See pages J1-J22

WA-WF SERIES TWO DOOR ENCLOSURES								
CATALOG NUMBER	ENCLOSURE SIZE H X W X D	BACK PANEL CATALOG NUMBER*		BACK PANEL STEEL GAUGE	BACK PANEL SIZE A X B	C	STIFFENER	
		WHITE	"G"				DOOR	BODY
WA244208WF	24.00x42.00x8.00 (610x1067x203)	NP4224	NP4224G	12	39.00x21.00 (991x533)	1.50 (38)	NO	NO
WA244808WF	24.00x48.00x8.00 (610x1219x203)	NP4824	NP4824G	12	21.00x45.00 (533x1143)	1.50 (38)	NO	NO
WA304210WF	30.00x42.00x10.00 (762x1067x254)	NP4230	NP4230G	12	27.00x39.00 (686x991)	1.50 (38)	NO	NO
WA304810WF	30.00x48.00x10.00 (762x1219x254)	NP4830	NP4830G	12	45.00x27.00 (1143x686)	1.50 (38)	NO	NO
WA306010WF	30.00x60.00x10.00 (762x1524x254)	NP6030	NP6030G	12	27.00x57.00 (686x1448)	1.50 (38)	NO	NO
WA364212WF	36.00x42.00x12.00 (914x1067x305)	NP4236	NP4236G	12	33.00x39.00 (838x991)	1.50 (38)	NO	NO
WA364812WF	36.00x48.00x12.00 (914x1219x305)	NP4836	NP4836G	12	33.00x45.00 (838x1143)	1.50 (38)	NO	NO
WA366012WF	36.00x60.00x12.00 (914x1524x305)	NP6036	NP6036G	12	33.00x57.00 (838x1448)	1.50 (38)	NO	NO
WA424212WF	42.00x42.00x12.00 (1067x1067x305)	NPDD4242	NPDD4242G	12	39.00x39.00 (991x991)	1.50 (38)	NO	YES
WA424812WF	42.00x48.00x12.00 (1067x1219x305)	NPDD4842	NPDD4842G	12	39.00x45.00 (991x1143)	1.50 (38)	NO	YES
WA426012WF	42.00x60.00x12.00 (1067x1524x305)	NPDD4260	NPDD4260G	12	38.00x56.00 (965x1422)	2.00 (51)	YES	YES
WA484812WF	48.00x48.00x12.00 (1219x1219x305)	NPDD4848	NPDD4848G	12	44.00x44.00 (1118x1118)	2.00 (51)	NO	YES

*Back panels must be ordered separately.





WA202006FM

Industry Standards

UL 508, Type 12 & 13
CSA Certified, Type 12
NEMA/EEMAC Type 12 & 13

 UL File E6924

 CSA File LL66078

FEATURES-SPECIFICATIONS

Applications

Designed to house electrical controls, terminals and instruments. Provide protection from dirt, dust, oil and water. External frame allows enclosure to recessed in wall. Enclosure is used in applications where external space is limited or in high traffic area.

Construction

- Bodies and doors fabricated from 14 gauge steel. 10 gauge steel mounting frame extends completely around enclosure

- Continuously plasma welded seams
- Body stiffeners are included in larger enclosures for added rigidity
- A rolled lip around all sides of enclosure opening is provided to exclude liquids and contaminants
- Doors are held closed with captivated screws threaded into sealed wells
- Doors are sealed with a pour-in-place polyurethane gasket
- Print pocket is provided
- Collar studs for mounting optional back panel

- Door is removable by pulling heavy gauge continuous hinge pin
- Grounding provisions provided

Finish

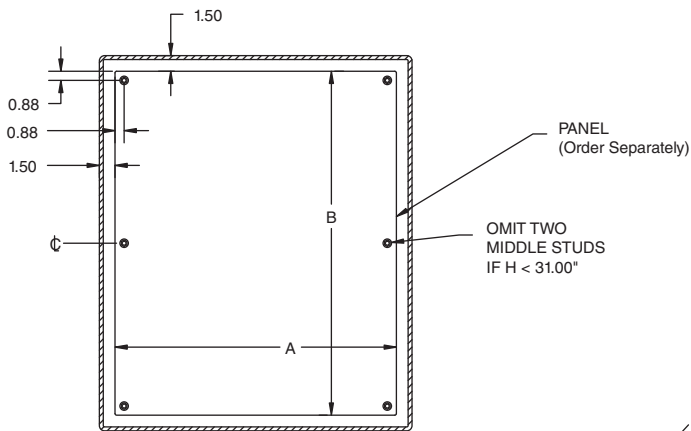
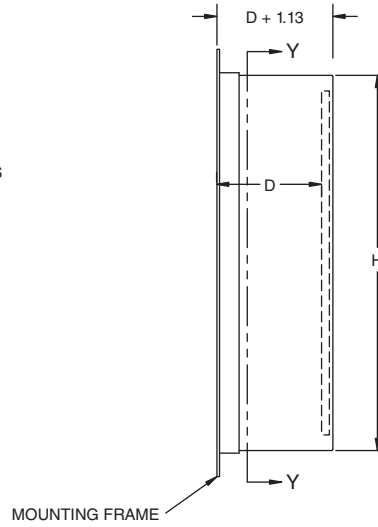
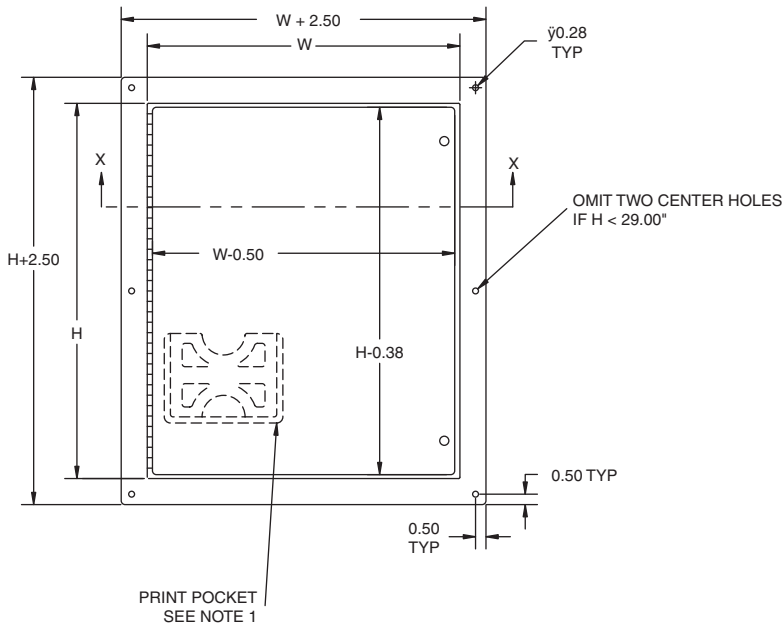
- ANSI 61 gray polyester powder inside and out
- **Optional** back panels are painted white polyester powder

Accessories

- Back panels (reference tables see page 14)
- See pages J1-J22

WA-FM SERIES FLUSH MOUNT ENCLOSURES					
CATALOG NUMBER	BODY/DOOR STEEL GAUGE	MTG. FRAME GAUGE	ENCLOSURE SIZE H X W X D	BACK PANEL CATALOG NUMBER*	BACK PANEL SIZE A X B
WA161206FM	14/14	10	16.00x12.00x6.00 (406x305x152)	NP1612	9.00x13.00 (229x330)
WA202006FM	14/14	10	20.00x20.00x6.00 (508x508x152)	NP2020	17.00x17.00 (432x432)
WA242408FM	14/14	10	24.00x24.00x8.00 (610x610x203)	NP2424	21.00x21.00 (533x533)
WA302408FM	14/14	10	30.00x24.00x8.00 (762x610x203)	NP3024	21.00x27.00 (533x686)
WA363008FM	14/14	10	36.00x30.00x8.00 (914x762x203)	NP3630	27.00x33.00 (686x838)

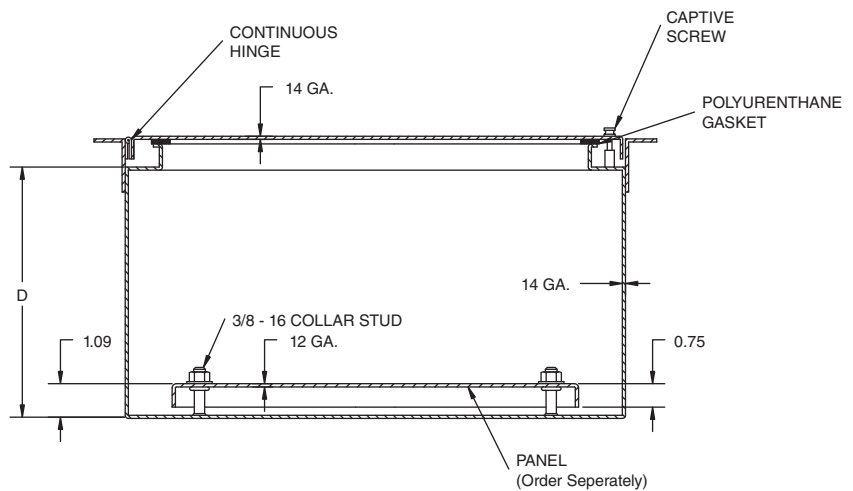
*Back panels must be ordered separately.



SECTION Y-Y

NOTES:

1. Large print pocket (8X10) is furnished if $H = 20.00$ " or more and $W = 20.00$ " or more. Otherwise small (6X6) print pocket provided.
2. Panels made from 12 Ga. steel.



SECTION X-X



N12544208

Industry Standards

- UL 508, Type 12
- CSA Certified, Type 12
- NEMA/EEMAC Type 12



FEATURES-SPECIFICATIONS

Applications

Designed to protect electrical and electronic controls, components, and instruments in typical industrial environments. Enclosure protects enclosed equipment from dust, dirt, oil, and dripping water. These enclosures are used in machine tool applications for housing motor starters, drives, contactors, PLC's, as well as a wide variety of other electrical and electronic equipment found in automotive, pulp and paper, wood products, textile, and similar industries.

Construction

- Bodies and doors fabricated from 12 gauge CRS. Floor mounting feet fabricated from 10 gauge CRS
- Continuously welded seams ground smooth, less knockouts or holes
- Heavy gauge continuous hinges support each door
- Special overlapping door design eliminates need for center post
- 3-point keylocking-padlocking combo handle
- Print pocket is provided
- Standard 12" high floor kits are welded to bottom of enclosure
- Heavy duty lifting eyes
- Strong, rigid constructions with body stiffeners
- Doors are sealed with poured in place polyurethane gasket

- Grounding provisions provided
- Back panel supports
- Collar studs for mounting optional back panels are provided

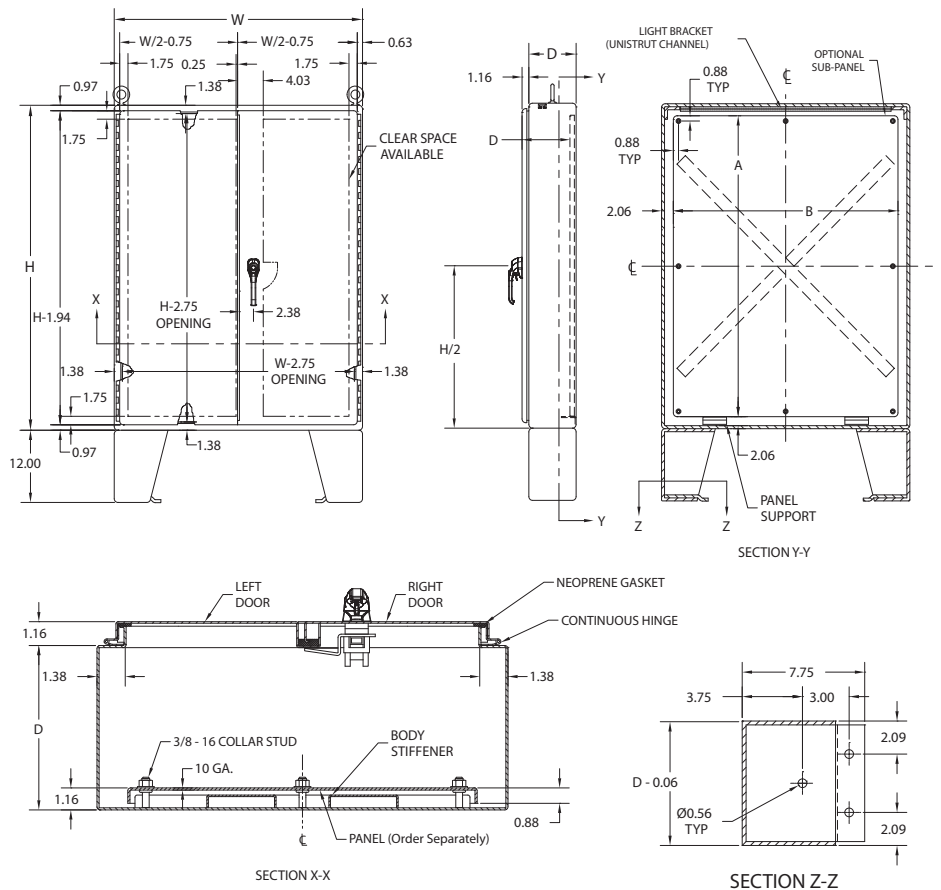
Finish

- ANSI-61 gray polyester powder inside and out

- Optional back panels are white polyester powder
- Optional "G" panels have a conductive finish (See page I7)

Accessories

- Back panels (reference tables)
- See pages J1-J22





N12 SERIES FLOOR-MOUNTED ENCLOSURES								
CATALOG NUMBER	BODY/DOOR STEEL GAUGE	ENCLOSURE SIZE H X W X D	BACK PANEL CATALOG NUMBER*		BACK PANEL SIZE A X B	BACK PANEL STEEL GAUGE	STIFFENER	
			WHITE	"G"			DOOR	BODY
N12544208	12/12	54.12x42.12x8.12 (1375x1070x206)	NPDD5442	NPDD5442G	50.00x38.00 (1270x965)	10	NO	YES
N12604808	12/12	60.12x48.12x8.12 (1527x1222x206)	NPDD6048	NPDD6048G	56.00x44.00 (1422x1118)	10	NO	YES
N12604810	12/12	60.12x48.12x10.12 (1527x1222x257)	NPDD6048	NPDD6048G	56.00x44.00 (1422x1118)	10	NO	YES
N12606010	12/12	60.12x60.12x10.12 (1527x1527x257)	NPDD6060	NPDD6060G	56.00x56.00 (1422x1422)	10	NO	YES
N12726010	12/12	72.12x60.12x10.12 (1832x1527x257)	NPDD7260	NPDD7260G	68.00x56.00 (1727x1422)	10	NO	YES
N12727210	12/12	72.12x72.12x10.12 (1832x1832x257)	NPDD7272	NPDD7272G	68.00x68.00 (1727x1727)	10	NO	YES
N12604812	12/12	60.12x48.12x12.12 (1527x1222x308)	NPDD6048	NPDD6048G	56.00x44.00 (1422x1118)	10	NO	YES
N12606012	12/12	60.12x60.12x12.12 (1527x1527x308)	NPDD6060	NPDD6060G	56.00x56.00 (1422x1422)	10	NO	YES
N12726012	12/12	72.12x60.12x12.12 (1832x1527x308)	NPDD7260	NPDD7260G	68.00x56.00 (1727x1422)	10	NO	YES
N12727212	12/12	72.12x72.12x12.12 (1832x1832x308)	NPDD7272	NPDD7272G	68.00x68.00 (1727x1727)	10	NO	YES
N12604816	12/12	60.12x48.12x16.12 (1527x1222x409)	NPDD6048	NPDD6048G	56.00x44.00 (1422x1118)	10	NO	YES
N12606016	12/12	60.12x60.12x16.12 (1527x1527x409)	NPDD6060	NPDD6060G	56.00x56.00 (1422x1422)	10	NO	YES
N12726016	12/12	72.12x60.12x16.12 (1832x1527x409)	NPDD7260	NPDD7260G	68.00x56.00 (1727x1422)	10	NO	YES
N12727216	12/12	72.12x72.12x16.12 (1832x1832x409)	NPDD7272	NPDD7272G	68.00x68.00 (1727x1727)	10	NO	YES
N12604820	12/12	60.12x48.12x20.12 (1527x1222x511)	NPDD6048	NPDD6048G	56.00x44.00 (1422x1118)	10	NO	YES
N12726020	12/12	72.12x60.12x20.12 (1832x1527x511)	NPDD7260	NPDD7260G	68.00x56.00 (1727x1422)	10	NO	YES
N12727220	12/12	72.12x72.12x20.12 (1832x1832x511)	NPDD7272	NPDD7272G	68.00x68.00 (1727x1727)	10	NO	YES
N12604824	12/12	60.12x48.12x24.12 (1527x1222x613)	NPDD6048	NPDD6048G	56.00x44.00 (1422x1118)	10	NO	YES
N12606024	12/12	60.12x60.12x24.12 (1527x1527x613)	NPDD6060	NPDD6060G	56.00x56.00 (1422x1422)	10	NO	YES
N12726024	12/12	72.12x60.12x24.12 (1832x1527x613)	NPDD7260	NPDD7260G	68.00x56.00 (1727x1422)	10	NO	YES
N12727224	12/12	72.12x72.12x24.12 (1832x1832x613)	NPDD7272	NPDD7272G	68.00x68.00 (1727x1727)	10	NO	YES

*Back panels must be ordered separately.



WA603624FS

Industry Standards

UL 508, Type 12
CSA Certified, Type 12
NEMA/EEMAC Type 12

UL Files E64791

CSA File LL66078

FEATURES-SPECIFICATIONS

Applications

Designed to protect electrical and electronic controls, components, and instruments in typical industrial environments. Enclosures protect enclosure equipment from dust, dirt, oil, and dripping water. These enclosures are used in machine tool applications for housing motor starters, drives, contactors, PLC's, as well as a wide variety of other electrical and electronic equipment. The addition of 19-inch rack mounting accessories make these enclosures ideal for providing rugged protection for sensitive rack mounted components in harsh industrial environments. The enclosures are found extensively in automotive, pulp and paper, wood products, textile, and similar industries.

Four styles are available to provide maximum flexibility:

- a) Single Door Single Access (single door on front)

- b) Single Door Dual Access (single door on front and rear)
- c) Two Door Single Access (overlapping doors on front)
- d) Two Door Dual Access (overlapping doors on front and rear)

Construction

- Fabricated from 12 or 10 gauge steel
- Continuously welded seams ground smooth, less holes or knockouts
- Body stiffeners for added rigidity
- Heavy duty lifting eyes for easy handling
- Heavy gauge continuous hinges support each door
- 3-point keylocking–padlocking combo handle
- Print pocket is provided
- “Uni-strut” mounting channels are welded horizontally to interior body sides and top, bottom and center

to allow back panels to be positioned in enclosure. **Optional** swing, half, full and rack panels can be mounted anywhere along “uni-strut” channel

- Doors are sealed with poured in place polyurethane gasket
- Stiffeners are welded to back of two door enclosures to maintain flatness and increase rigidity
- Grounding provisions provided

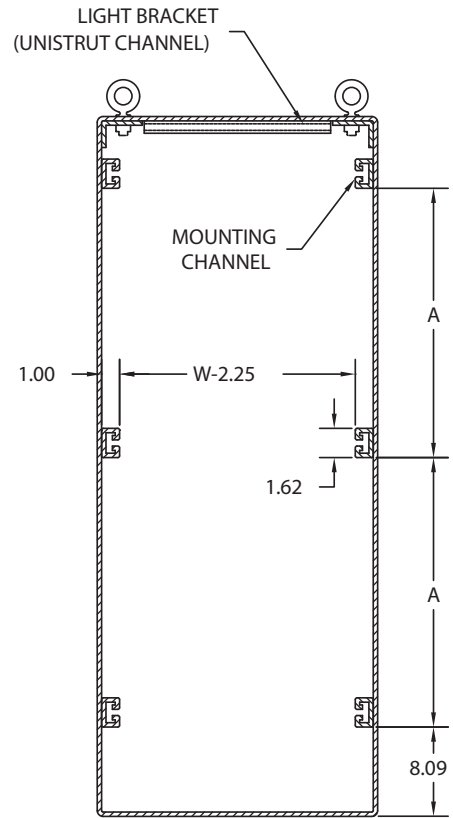
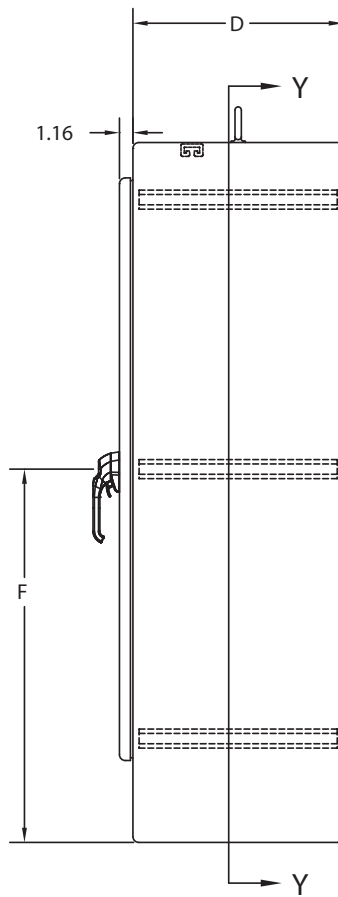
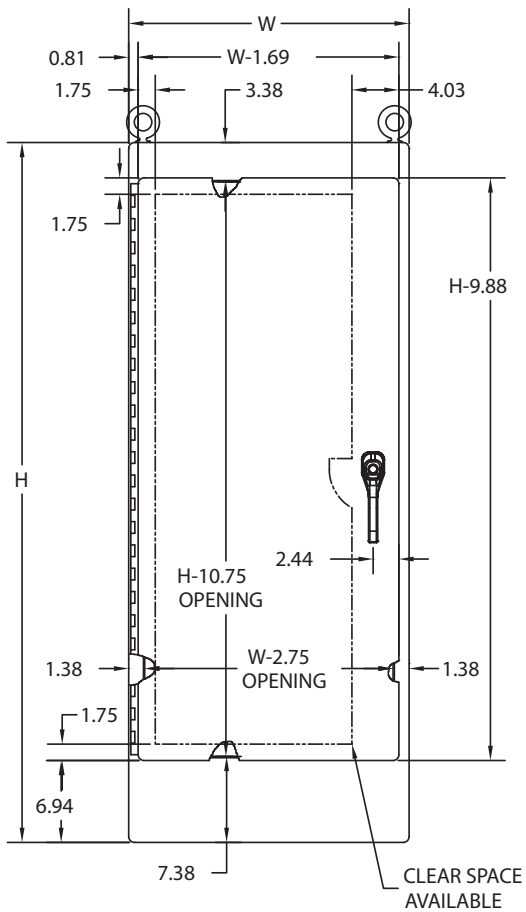
Finish

- ANSI 61 gray polyester powder inside and out
- **Optional** back panels are white polyester powder
- **Optional** “G” panels have a conductive finish

Accessories

- See pages J1-J22
- Panels see pages I8-I11

WA-FS SERIES FREESTANDING SINGLE DOOR ENCLOSURE				
CATALOG NUMBER	BODY/DOOR STEEL GAUGE	ENCLOSURE SIZE H X W X D	A	F
WA602418FS	12/12	60.12x24.12x18.12 (1527x613x460)	23.13 (587)	32.06 (814)
WA722418FS	12/12	72.12x24.12x18.12 (1832x613x460)	29.13 (740)	38.06 (967)
WA723018FS	12/12	72.12x30.12x18.12 (1832x765x460)	29.13 (740)	38.06 (967)
WA723618FS	12/12	72.12x36.12x18.12 (1832x917x460)	29.13 (740)	38.06 (967)
WA902420FS	10/10	90.12x24.12x20.12 (2289x613x511)	38.13 (968)	47.06 (1195)
WA903620FS	10/10	90.12x36.12x20.12 (2289x917x511)	38.13 (968)	47.06 (1195)
WA603624FS	12/12	60.12x36.12x24.12 (1527x917x613)	23.13 (587)	32.06 (814)
WA722424FS	12/12	72.12x24.12x24.12 (1832x613x613)	29.13 (740)	38.06 (967)
WA723024FS	12/12	72.12x30.12x24.12 (1832x765x613)	29.13 (740)	38.06 (967)
WA723624FS	12/12	72.12x36.12x24.12 (1832x917x613)	29.13 (740)	38.06 (967)
WA903624FS	10/10	90.12x36.12x24.12 (2289x917x613)	38.13 (968)	47.06 (1195)
WA723630FS	12/12	72.12x36.12x30.12 (1832x917x765)	29.13 (740)	38.06 (967)
WA723636FS	12/12	72.12x36.12x36.12 (1832x917x917)	29.13 (740)	38.06 (967)
WA903636FS	10/10	90.12x36.12x36.12 (2289x917x917)	38.13 (968)	47.06 (1195)



SECTION Y-Y

**WA-FSD SERIES ENCLOSURES
NEMA 12 SINGLE DOOR DUAL ACCESS FREESTANDING**

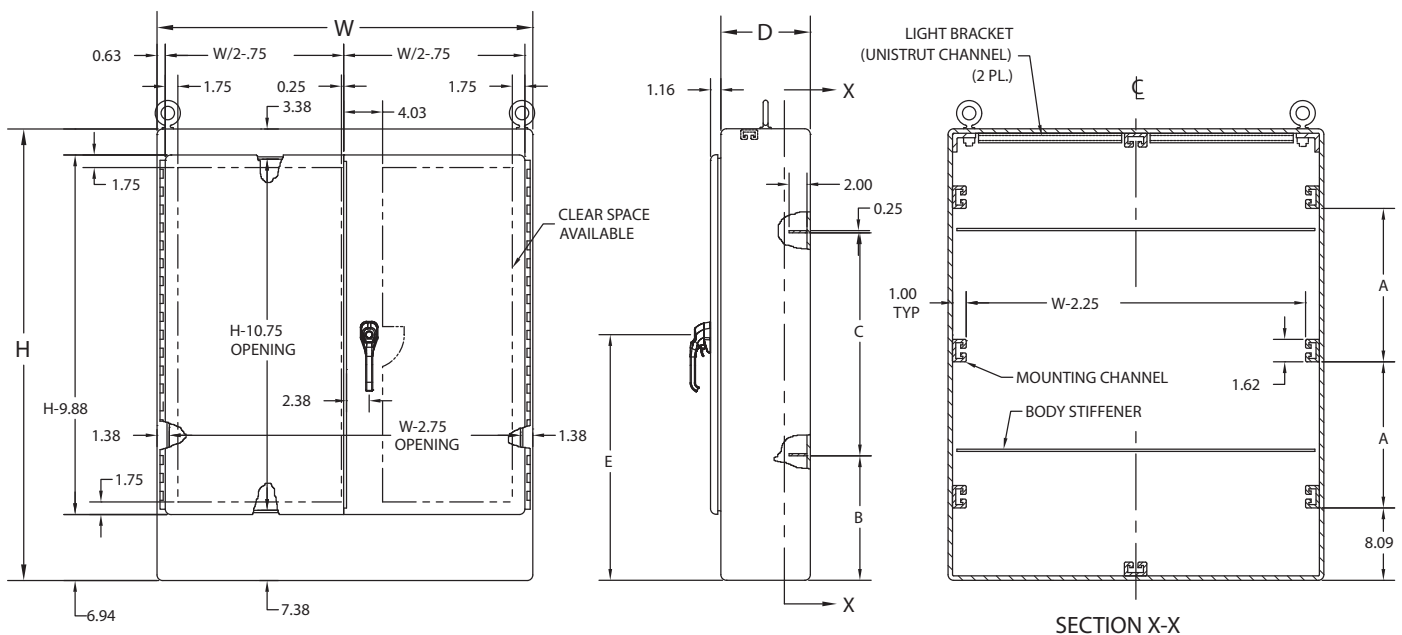
C27



WA604818FSD

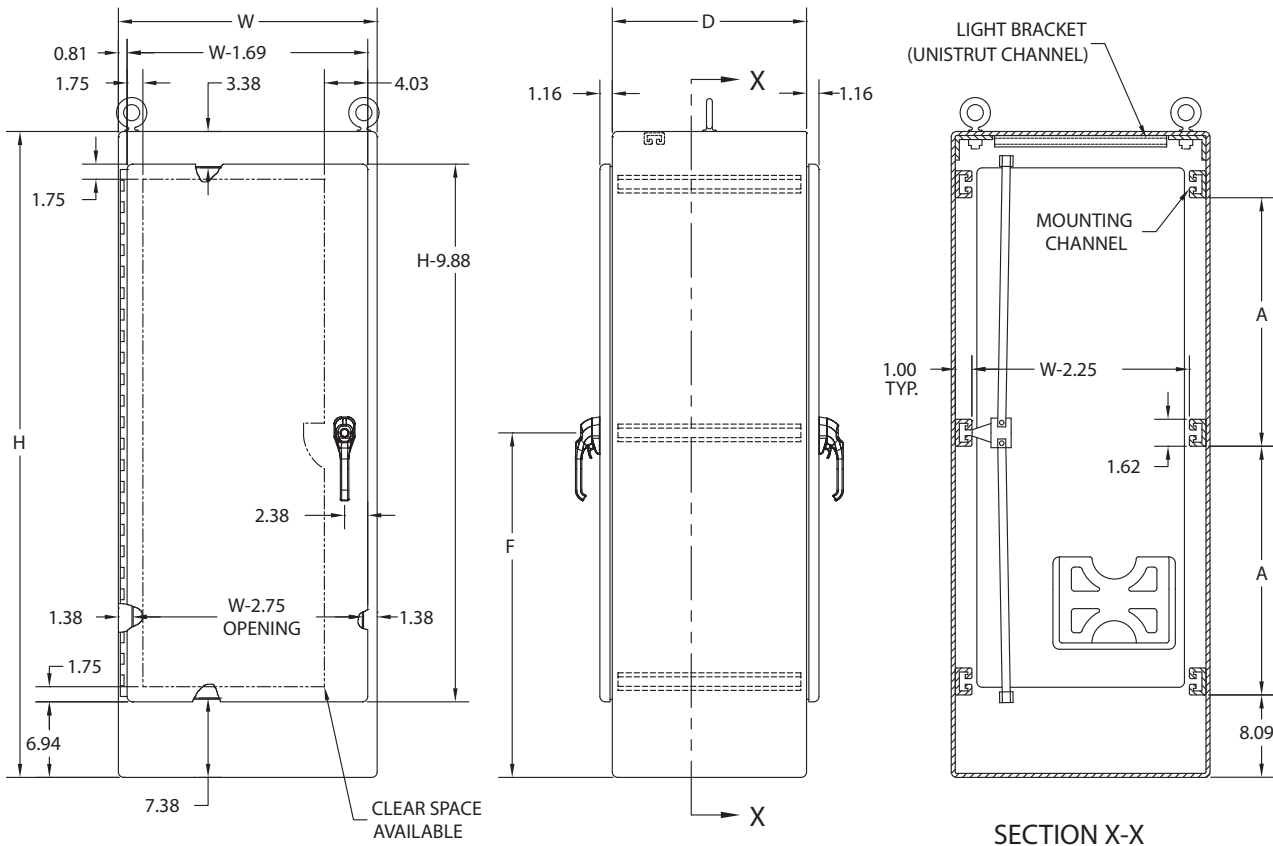
WA-FSD SERIES FREESTANDING TWO DOOR ENCLOSURES

CATALOG NUMBER	BODY/DOOR STEEL GAUGE	ENCLOSURE SIZE H X W X D	A	B	C	E
WA604818FSD	10/10	60.12x48.12x18.12 (1527x1222x460)	23.13 (587)	19.88 (505)	20.03 (509)	32.06 (814)
WA724818FSD	10/10	72.12x48.12x18.12 (1832x1222x460)	29.13 (740)	23.88 (607)	24.03 (610)	38.06 (967)
WA726018FSD	10/10	72.12x60.12x18.12 (1832x1527x460)	29.13 (740)	23.88 (607)	24.03 (610)	38.06 (967)
WA727218FSD	10/10	72.12x72.12x18.12 (1832x1832x460)	29.13 (740)	23.88 (607)	24.03 (610)	38.06 (967)
WA904820FSD	10/10	90.12x48.12x20.12 (2289x1222x511)	38.13 (968)	29.88 (759)	30.03 (763)	47.06 (1195)
WA907220FSD	10/10	90.12x72.12x20.12 (2289x1832x511)	38.13 (968)	29.88 (759)	30.03 (763)	47.06 (1195)
WA724824FSD	10/10	72.12x48.12x24.12 (1832x1222x613)	29.13 (740)	23.88 (607)	24.03 (610)	38.06 (967)
WA726024FSD	10/10	72.12x60.12x24.12 (1832x1527x613)	29.13 (740)	23.88 (607)	24.03 (610)	38.06 (967)
WA727224FSD	10/10	72.12x72.12x24.12 (1832x1832x613)	29.13 (740)	23.88 (607)	24.03 (610)	38.06 (967)
WA907224FSD	10/10	90.12x72.12x24.12 (2289x1832x613)	38.13 (968)	29.88 (759)	30.03 (763)	47.06 (1195)
WA726036FSD	10/10	72.12x60.12x36.12 (1832x1527x917)	29.13 (740)	23.88 (607)	24.03 (610)	38.06 (967)
WA907236FSD	10/10	90.12x72.12x36.12 (2289x1832x917)	38.13 (968)	29.88 (759)	30.03 (763)	47.06 (1195)



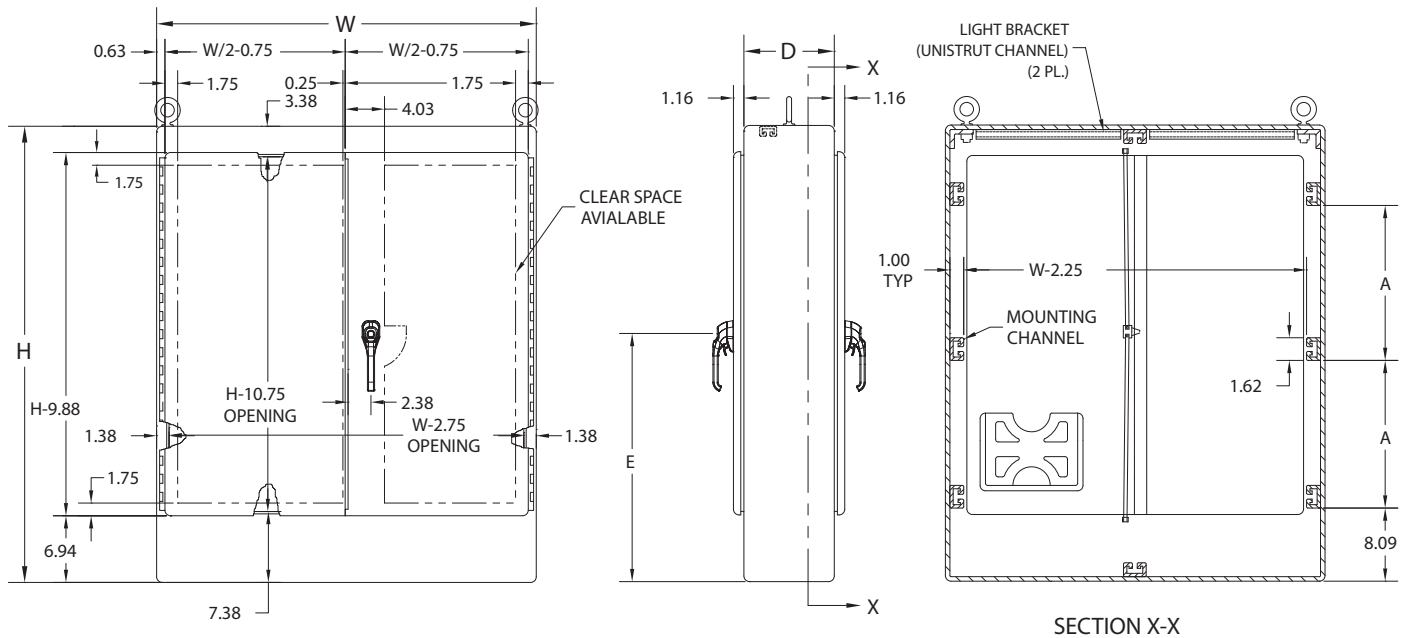


WA-FSDA SERIES FREESTANDING SINGLE DOOR DUAL ACCESS ENCLOSURES				
CATALOG NUMBER	BODY/DOOR STEEL GAUGE	ENCLOSURE SIZE H X W X D	A	F
WA722424FSDA	12/12	72.12x24.12x24.25 (1832x613x616)	29.13 (740)	38.06 (967)
WA723024FSDA	12/12	72.12x30.12x24.25 (1832x765x616)	29.13 (740)	38.06 (967)
WA723624FSDA	12/12	72.12x36.12x24.25 (1832x917x616)	29.13 (740)	38.06 (967)
WA903624FSDA	12/10	90.12x36.12x24.25 (2289x917x616)	38.13 (968)	47.06 (1195)
WA722430FSDA	12/12	72.12x24.12x30.25 (1832x613x768)	29.13 (740)	38.06 (967)
WA722436FSDA	12/12	72.12x24.12x36.25 (1832x613x921)	29.13 (740)	38.06 (967)
WA723636FSDA	12/12	72.12x36.12x36.25 (1832x917x921)	29.13 (740)	38.06 (967)
WA903636FSDA	12/10	90.12x36.12x36.25 (2289x917x921)	38.13 (968)	47.06 (1195)





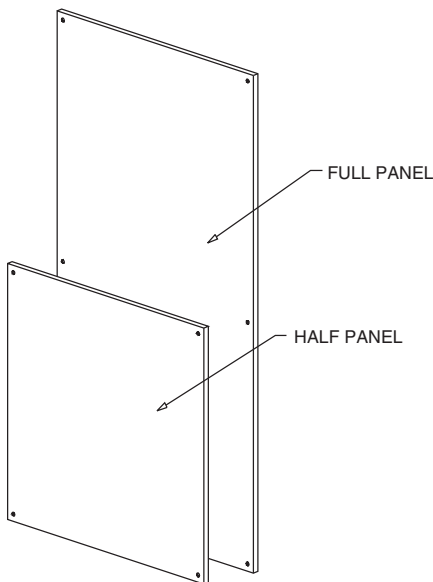
WA-FSDAD SERIES FREESTANDING TWO DOOR DUAL ACCESS ENCLOSURES				
CATALOG NUMBER	BODY/DOOR STEEL GAUGE	ENCLOSURE SIZE H X W X D	A	E
WA724824FSDAD	12/12	72.12x48.12x24.25 (1832x1222x616)	29.13 (740)	38.06 (967)
WA726024FSDAD	12/12	72.12x60.12x24.25 (1832x1527x616)	29.13 (740)	38.06 (967)
WA727224FSDAD	12/12	72.12x72.12x24.25 (1832x1832x616)	29.13 (740)	38.06 (967)
WA907224FSDAD	10/10	90.12x72.12x24.25 (2289x1832x616)	38.13 (968)	47.06 (1195)
WA726036FSDAD	12/12	72.12x60.12x36.25 (1832x1527x921)	29.13 (740)	38.06 (967)



REGULAR PANELS ONLY (FULL & HALF) NEMA 12 SINGLE DOOR

CATALOG NUMBER		STEEL GAUGE	PANEL SIZE A X B
WHITE	"G"		
WA60P24F1	WA60P24F1G	12	48.00x20.00 (1219x508)
WA60P24F2	WA60P24F2G	12	24.88x20.00 (632x508)
WA72P24F1	WA72P24F1G	12	60.00x20.00 (1524x508)
WA72P24F2	WA72P24F2G	12	30.88x20.00 (784x508)
WA90P24F1	WA90P24F1G	12	78.00x20.00 (1981x508)
WA90P24F2	WA90P24F2G	12	39.88x20.00 (1013x508)
WA72P30F1	WA72P30F1G	12	60.00x26.00 (1524x660)
WA72P30F2	WA72P30F2G	12	30.88x26.00 (784x660)
WA60P36F1	WA60P36F1G	12	48.00x32.00 (1219x813)
WA60P36F2	WA60P36F2G	12	24.88x32.00 (632x813)
WA72P36F1	WA72P36F1G	12	60.00x32.00 (1524x813)
WA72P36F2	WA72P36F2G	12	30.88x32.00 (784x813)
WA90P36F1	WA90P36F1G	12	78.00x32.00 (1981x813)
WA90P36F2	WA90P36F2G	12	39.88x32.00 (1013x813)

NOTE: If used in a Two Door Enclosure, a center panel support must be ordered.

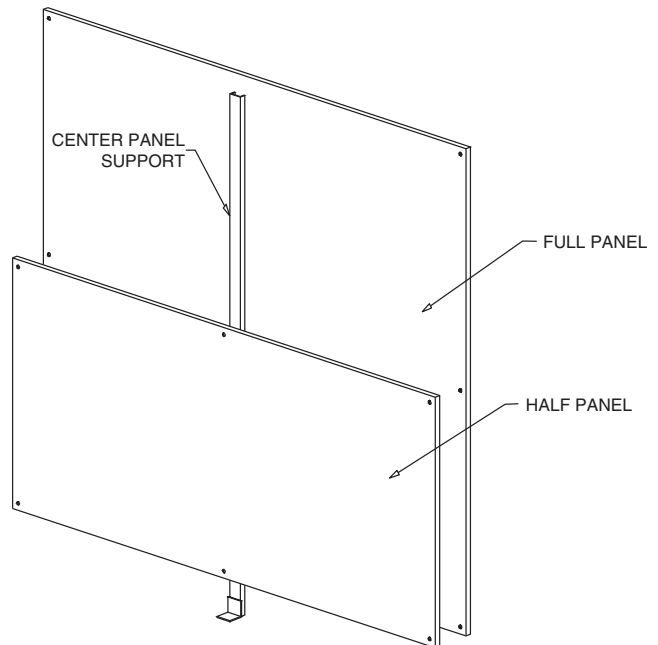


NOTE: Optional "G" panels have a conductive finish

REGULAR PANELS ONLY (FULL & HALF) NEMA 12 TWO DOOR

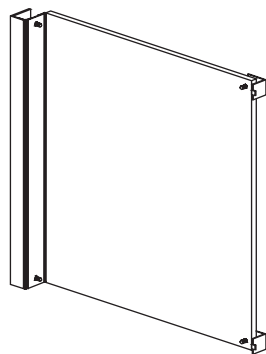
CATALOG NUMBER		STEEL GAUGE	PANEL SIZE A X B
WHITE	"G"		
WA60P48F1	WA60P48F1G	10	48.00x44.00 (1219x1118)
WA60P48F2	WA60P48F2G	10	24.88x44.00 (632x1118)
WA72P48F1	WA72P48F1G	10	60.00x44.00 (1524x1118)
WA72P48F2	WA72P48F2G	10	30.88x44.00 (784x1118)
WA72P60F1	WA72P60F1G	10	60.00x56.00 (1524x1422)
WA72P60F2	WA72P60F2G	10	30.88x56.00 (784x1422)
WA72P72F1	WA72P72F1G	10	60.00x68.00 (1524x1727)
WA72P72F2	WA72P72F2G	10	30.88x68.00 (784x1727)
WA90P48F1	WA90P48F1G	10	78.00x44.00 (1981x1118)
WA90P48F2	WA90P48F2G	10	39.88x44.00 (1013x1118)
WA90P72F1	WA90P72F1G	10	78.00x68.00 (1981x1727)
WA90P72F2	WA90P72F2G	10	39.88x68.00 (1013x1727)

NOTE: Center Panel support is supplied with a regular Two Door Enclosure Panel. This support is used only as a brace. It is not intended to be used as a support for Single Door Panels, relay racks, etc.



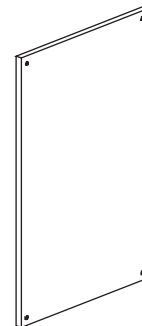
SWING OUT PANELS ONLY (FULL & HALF) NEMA 12 SINGLE DOOR			
CATALOG NUMBER		STEEL GAUGE	PANEL SIZE A X B
WHITE	"G"		
WA60SP24F3	WA60SP24F3G	12	48.00x19.00 (1219x483)
WA60SP24F4	WA60SP24F4G	12	24.88x19.00 (632x483)
WA72SP24F3	WA72SP24F3G	12	60.00x19.00 (1524x483)
WA72SP24F4	WA72SP24F4G	12	30.88x19.00 (784x483)
WA72SP30F3	WA72SP30F3G	12	60.00x25.00 (1524x635)
WA72SP30F4	WA72SP30F4G	12	30.88x25.00 (784x635)
WA60SP36F3	WA60SP36F3G	12	48.00x31.00 (1219x787)
WA60SP36F4	WA60SP36F4G	12	24.88x31.00 (632x787)
WA72SP36F3	WA72SP36F3G	12	60.00x31.00 (1524x787)
WA72SP36F4	WA72SP36F4G	12	30.88x31.00 (784x787)
WA90SP36F3	WA90SP36F3G	12	78.00x31.00 (1981x787)
WA90SP36F4	WA90SP36F4G	12	39.88x31.00 (1013x787)

NOTE: If used in a Two Door Enclosure, a center panel support must be ordered.



WA60SP24F3

SIDE MOUNT PANELS FOR SINGLE OR DOUBLE DOORS			
CATALOG NUMBER		STEEL GAUGE	PANEL SIZE A X B
WHITE	"G"		
WA60SMP14	WA60SMP14G	12	48.00x14.00 (1219x356)
WA72SMP14	WA72SMP14G	12	60.00x14.00 (1524x356)
WA72SMP20	WA72SMP20G	12	60.00x20.00 (1524x508)
WA90SMP14	WA90SMP14G	12	78.00x14.00 (1981x356)
WA90SMP20	WA90SMP20G	12	78.00x20.00 (1981x508)



WA60SMP14

CENTER PANEL SUPPORTS	
CATALOG NUMBER	DESCRIPTION
WA60FSCPS	Center panel support for 60" high enclosures
WA72FSCPS	Center panel support for 72" high enclosures
WA90FSCPS	Center panel support for 90" high enclosures

CLAMP NUTS	
CATALOG NUMBER	DESCRIPTION
WAPS1420CN	Clamp nut for unistrut
WAPS3816CN	Clamp nut for unistrut
WA1032N	Clamp nuts for Type (RA) Relay Rack Angles

RELAY RACK ANGLES (FULL OR HALF) SINGLE DOOR

CATALOG NUMBER	STEEL GAUGE	LENGTH "L"
WA60RP24F5	10	49.00 (1245)
WA60RP24F6	10	26.25 (667)
WA72RP24F5	10	61.25 (1556)
WA72RP24F6	10	31.50 (800)
WA72RP30F5	10	61.25 (1556)
WA72RP30F6	10	31.50 (800)
WA90RP24F5	10	78.75 (2000)
WA90RP24F6	10	40.25 (1022)

RELAY RACK ANGLES WITH THRU HOLES (TYPE RA)

CATALOG NUMBER	FITS ENCLOSURE H X W	RACK SIZE	ANGLE LENGTH "L"
WA60RA19TH	60.00x24.00 (1524x610)	19.00 (483)	49.00 (1245)
WA72RA19TH	72.00x24.00 (1829x610)	19.00 (483)	61.25 (1556)
WA72RA24TH	72.00x30.00 (1829x762)	24.00 (610)	61.25 (1556)
WA90RA19TH	90.00x24.00 (2286x610)	19.00 (483)	78.78 (2001)

NOTE: If used in a Two Door Enclosure, a center panel support must be ordered.



WA60RP24F5

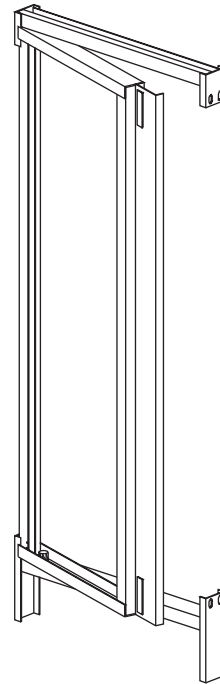


WA60RA19TH

SWING OUT RACK MOUNTING FRAMES

CATALOG NUMBER	FITS ENCLOSURE H X W	RACK SIZE	ANGLE LENGTH "T"
WA7230SOF19	72.00x30.00 (1829x762)	19.00 (483)	57.88 (1470)
WA7236SOF19	72.00x36.00 (1829x914)	19.00 (483)	57.88 (1470)
WA9036SOF19	90.00x36.00 (2286x914)	19.00 (483)	75.38 (1915)

NOTE: If used in a Two Door Enclosure, a center panel support must be ordered.



WA7230SOF19



WA86M5E

Industry Standards

UL 508, Type 12
CSA Certified, Type 12
NEMA/EEMAC Type 12

 UL File E64791

 CSA File LL66078

FEATURES-SPECIFICATIONS

Applications

Designed to protect electrical and electronic controls, components, and instruments in typical industrial environments. Enclosure rating protects enclosed equipment from dust, dirt, oil, and dripping water. These enclosures are used in machine tool applications for housing motor starters, drives, contactors, PLC's, as well as a wide variety of other electrical and electronic equipment found in automotive, pulp, and paper, wood products, textile, and similar industries. Select from three, four, and five door options to best meet your application requirements.

Construction

- Bodies and doors fabricated from 10 gauge steel
- Continuously welded seams ground smooth, less holes or knockouts
- Heavy steel stiffeners are welded to enclosure backs maintaining flatness and increasing rigidity
- Heavy duty removable lifting eyes for easy handling are installed
- At two-door openings, the uniquely gasketed, overlapping doors eliminate the need for center posts
- 3-point keylocking–padlocking combo handle
- Print pocket and provisions for fluorescent lighting are provided

- Doors are supported by heavy gauge steel continuous hinges
- Doors are sealed with closed cell neoprene gasket
- Removable 10 gauge back panels and back panel supports are furnished
- Grounding provisions provided

Finish

- ANSI 61 gray polyester powder inside and out
- Panels are white polyester powder

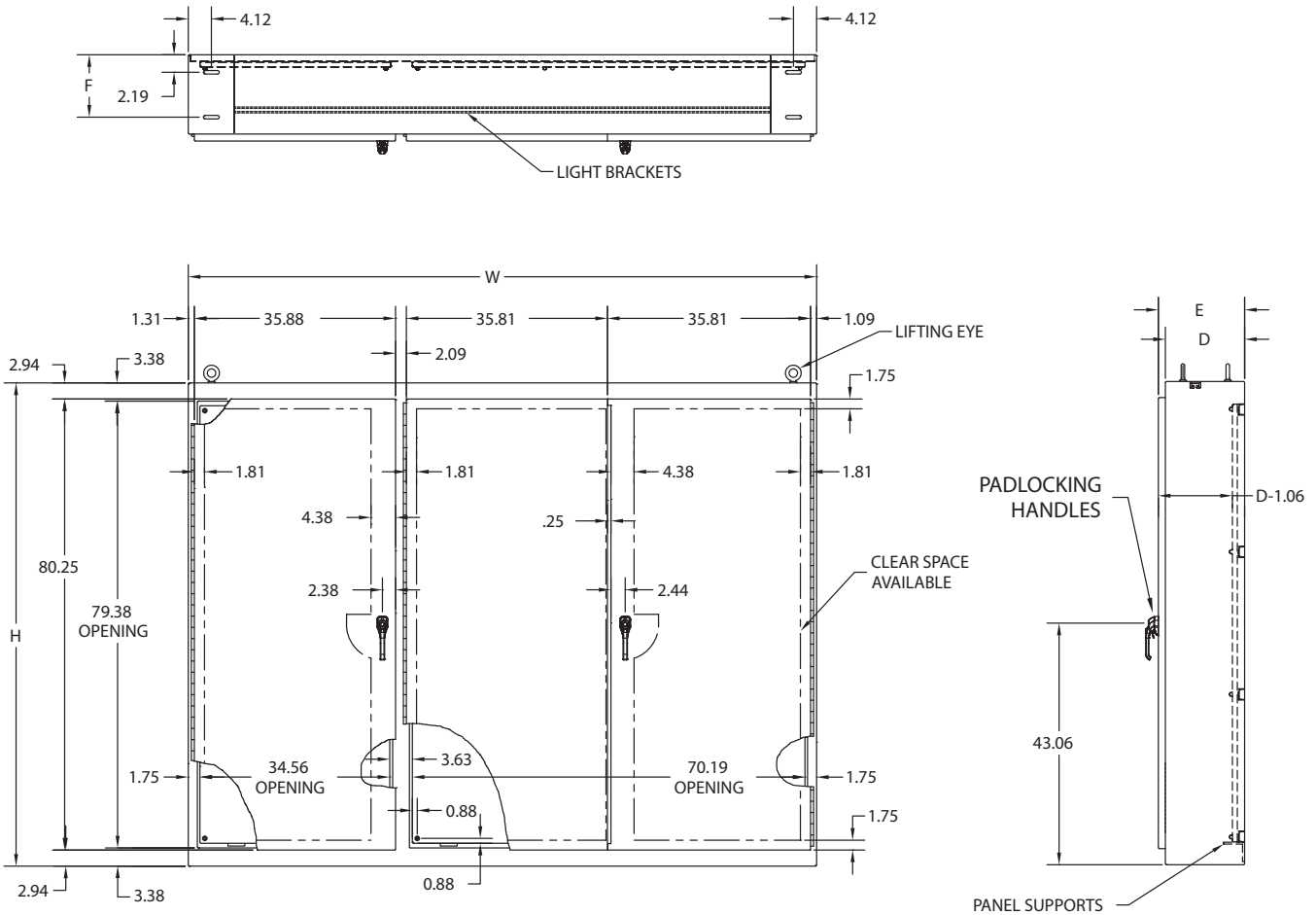
Accessories

- See pages J1-J22

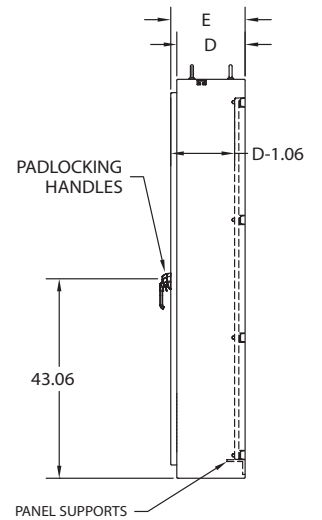
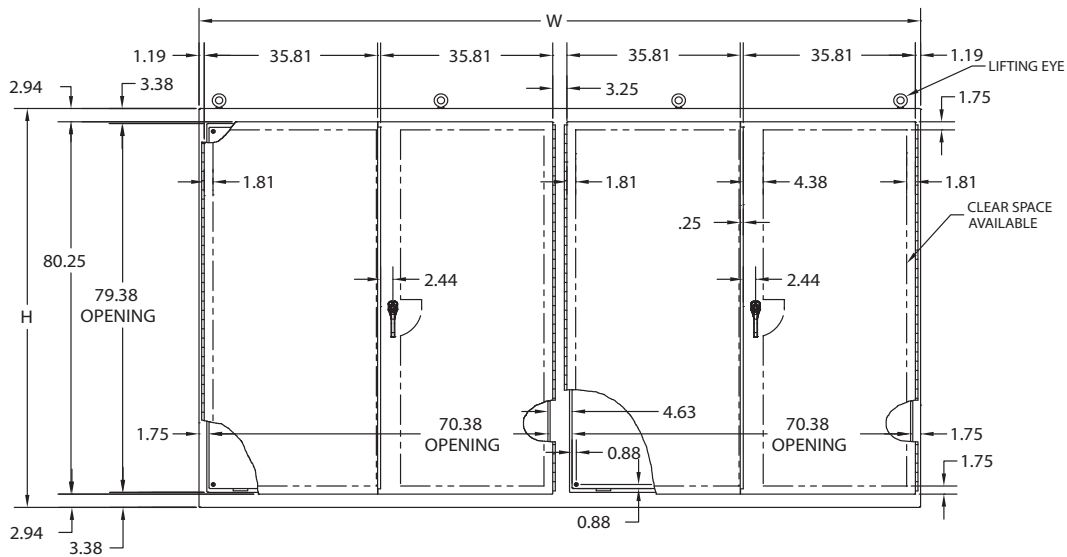
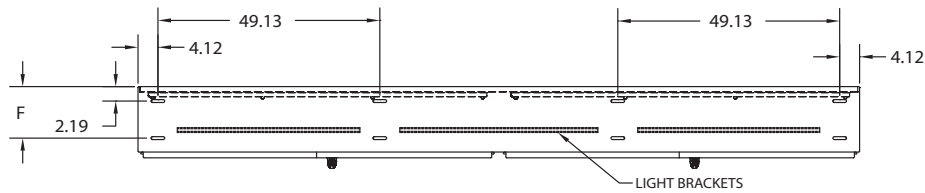
WA-E SERIES MULTI-DOOR FREESTANDING ENCLOSURES								
CATALOG NUMBER	NO. OF DOORS	BODY/DOOR STEEL GAUGE	ENCLOSURE SIZE H X W X D	BACK PANEL SIZE*		E	F	
				A X B	A X B			
WA86M3E	3	10	86.13x112.13x14.13 (2188x2848x359)	(1) 78.00x70.00 (1981x1778)	and	(1) 78.00x34.00 (1981x864)	15.38 (391)	11.94 (303)
WA86M4E	4	10	86.13x149.13x14.13 (2188x3788x359)	(2) 78.00x70.00 (1981x1778)	and	No Panel	15.38 (391)	11.94 (303)
WA86M5E	5	10	86.13x187.13x14.13 (2188x4753x359)	(2) 78.00x70.00 (1981x1778)	and	(1) 78.00x34.00 (1981x864)	15.38 (391)	11.94 (303)
WA86M3E20	3	10	86.13x112.13x20.13 (2188x2848x511)	(1) 78.00x70.00 (1981x1778)	and	(1) 78.00x34.00 (1981x864)	21.38 (543)	17.94 (456)
WA86M4E20	4	10	86.13x149.13x20.13 (2188x3788x511)	(2) 78.00x70.00 (1981x1778)	and	No Panel	21.38 (543)	17.94 (456)
WA86M5E20	5	10	86.13x187.13x20.13 (2188x4753x359)	(2) 78.00x70.00 (1981x1778)	and	(1) 78.00x34.00 (1981x864)	21.38 (543)	17.94 (456)

*Back panels are furnished with enclosures.
NOTE: Optional "G" panels have a conductive finish

3-DOOR



4-DOOR



Section D Index

BN4 Series

NEMA 4 JIC Lift-Off Cover Wall-Mount....D2

BN4-CH Series

NEMA 4 JIC Continuous Hinged
Wall-MountD4

WA-GSC Series

NEMA 3 & 4 Screw Cover
Moisture ProofD6

BCHFTC Series (NEMA 12 & 4)

JIC Continuous Hinge Wall-MountC15

N412-C ULTIMATE Series

NEMA 4 & 12 Single Door Wall-MountD8

N412-WC ULTIMATE Series

NEMA 4 & 12 Single Door with
Window Wall-MountD11

N412-3PTC Series

NEMA 4 Single Door with
3PT Handle.....D14

N412-CST Series

NEMA 4 & 12 Slope Top Single Door
Wall-Mount.....D16

N4 Series

NEMA 4 Single Door Wall-Mount.....D18

N4D Series

NEMA 4 Floor-Mount.....D20

N4S-FS Series

NEMA 4 Single Door FreestandingD22

N4D-3PT Series

NEMA 4 Two Door Floor-Mount with
3PT Handle.....D24

WA-FSN43PT Series

NEMA 4 Single Door, Freestanding with
3PT Handle.....D26

NEMA 4 ENCLOSURES



**BN4 SERIES ENCLOSURES
NEMA 4 JIC LIFT-OFF COVER WALL-MOUNT**


BN4060604

Industry Standards

 UL 50, Types 4, 12 & 13
(6 X 6 X 4 & above)

 UL 508, Types 4, 12 & 13
(6 X 4 X 3 & smaller)

CSA Certified, Types 4 & 12

NEMA/EEMAC Type 4, 12 & 13

JIC EL-1-71



UL Files E23553, E64791



CSA File LL66078

FEATURES-SPECIFICATIONS
Applications

Designed for use as instrument housings, electrical control enclosures, terminal wiring boxes or electrical junction boxes. Provides protection where equipment is hosed down, very wet, or in outdoor applications.

Construction

- Bodies 14 gauge and doors fabricated from 16 gauge steel
- Continuously welded seams ground smooth, less knockouts or holes

- Closed cell oil resistant neoprene gasket
- External mounting plate, top and bottom of enclosure
- Weldnuts are provided on models 6.00" x 4.00" or larger to secure optional panel
- Stainless steel screws and clamps on four sides of cover to assure water tight seal
- Grounding provisions provided
- **Optional** back panels and terminal kits must be ordered separately

Finish

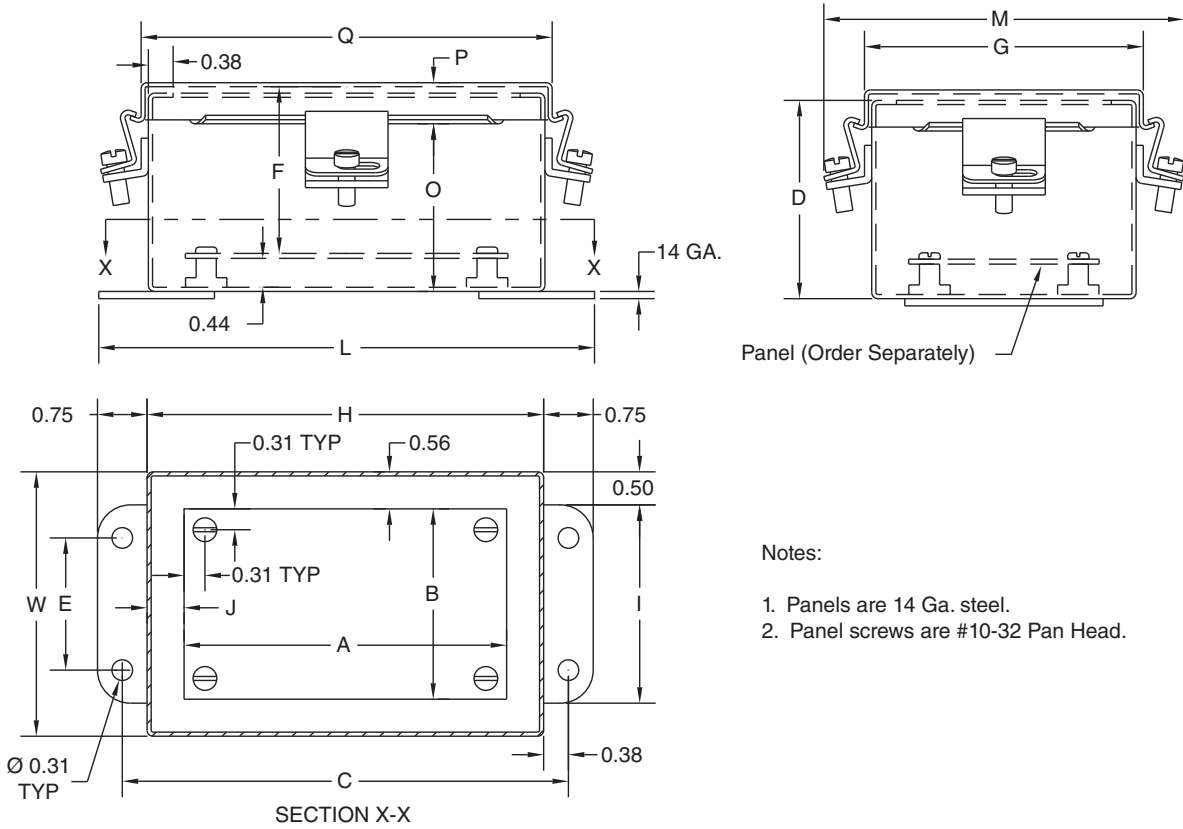
- ANSI-61 gray polyester powder inside and out
- **Optional** back panels are white polyester powder
- **Optional** "G" panels have a conductive finish (See page I2)

Accessories

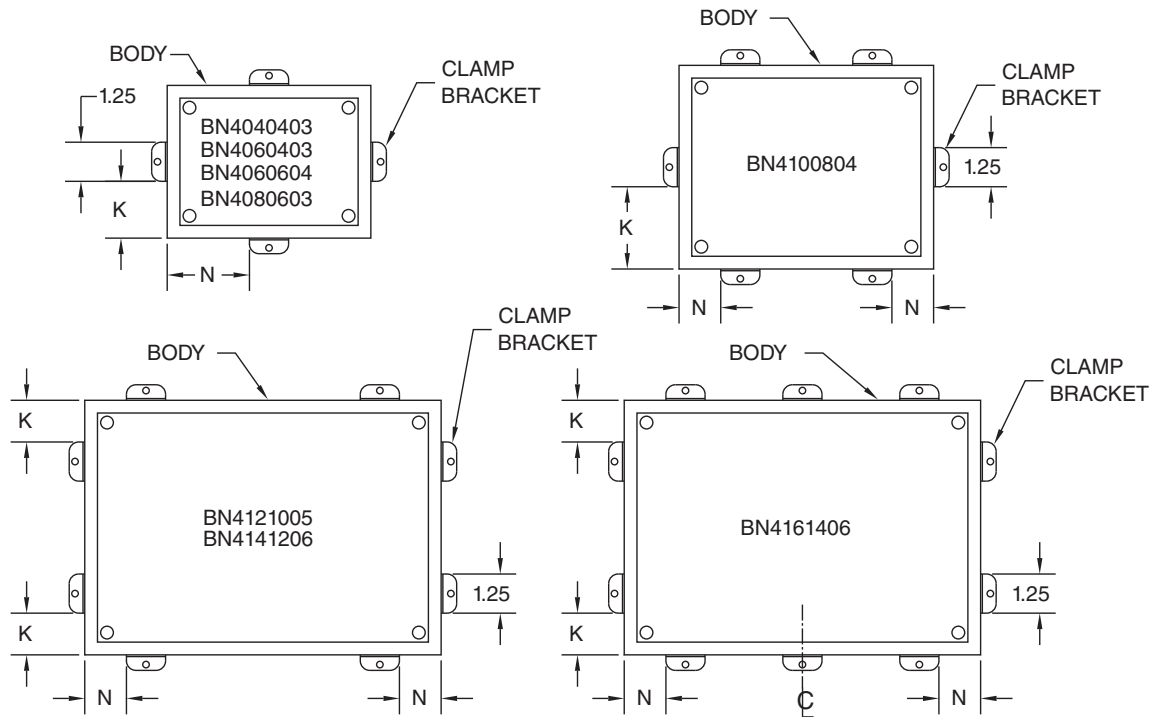
- Back panels (reference tables)
- See pages J1-J22

BN4 SERIES JIC LIFT OFF COVER ENCLOSURES															
CATALOG NUMBER	ENCLOSURE SIZE H X W X D	BACK PANEL CATALOG NUMBER*		BACK PANEL SIZE A X B	MOUNTING C X E	OVERALL L X M	F	G	I	J	K	N	O	P	Q
		WHITE	"G"												
BN4040403	4.00x4.00x3.00 (102x102x76)	—	—	—	4.75x2.00 (121x51)	5.50x5.63 (140x143)	2.53 (64)	4.31 (109)	3.00 (76)	—	1.38 (35)	1.38 (35)	2.53 (64)	0.63 (16)	4.31 (110)
BN4060403	6.00x4.00x3.00 (152x102x76)	P0604	P0604G	4.88x2.88 (124x73)	6.75x2.00 (171x51)	7.50x5.63 (191x143)	2.53 (64)	4.31 (109)	3.00 (76)	0.56 (14)	1.38 (35)	2.38 (60)	2.53 (64)	0.63 (16)	6.31 (160)
BN4060604	6.00x6.00x4.00 (152x152x102)	P0606	P0606G	4.88x4.88 (124x124)	6.75x4.00 (171x102)	7.50x7.63 (191x194)	3.53 (90)	6.31 (160)	5.00 (127)	0.56 (14)	2.38 (60)	2.38 (60)	3.53 (90)	0.63 (16)	6.31 (160)
BN4080603	8.00x6.00x3.50 (203x152x89)	P0806	P0806G	6.88x4.88 (175x124)	8.75x4.00 (222x102)	9.50x7.63 (241x194)	3.03 (77)	6.31 (160)	5.00 (127)	0.56 (14)	2.38 (60)	3.38 (86)	3.03 (77)	0.63 (16)	8.31 (211)
BN4100804	10.00x8.00x4.00 (254x203x102)	P1008	P1008G	8.88x6.88 (226x175)	10.75x6.00 (273x152)	11.50x9.63 (292x244)	3.53 (90)	8.31 (211)	7.00 (178)	0.56 (14)	3.38 (86)	1.50 (38)	3.53 (90)	0.63 (16)	10.31 (262)
BN4121005	12.00x10.00x5.00 (305x254x127)	P1210	P1210G	10.88x8.88 (276x226)	12.75x8.00 (324x203)	13.50x11.63 (343x295)	4.53 (115)	10.31 (262)	9.00 (229)	0.56 (14)	2.00 (51)	3.00 (76)	4.53 (115)	0.63 (16)	12.31 (313)
BN4141206	14.00x12.00x6.00 (356x305x152)	P1412	P1412G	12.88x10.88 (327x276)	14.75x10.00 (375x254)	15.50x13.63 (394x346)	5.53 (141)	12.31 (313)	11.00 (279)	0.56 (14)	2.00 (51)	3.00 (76)	5.53 (141)	0.63 (16)	14.31 (364)
BN4161406	16.00x14.00x6.00 (406x356x152)	P1614	P1614G	14.88x12.88 (378x327)	16.75x12.00 (425x305)	17.50x15.63 (445x397)	5.53 (141)	14.31 (363)	13.00 (330)	0.56 (14)	3.50 (89)	1.50 (38)	5.53 (141)	0.63 (16)	16.31 (414)

*Back panels must be ordered separately.



CLAMP BRACKET LOCATIONS



BN4 - CH SERIES ENCLOSURES NEMA 4 JIC CONTINUOUS HINGED WALL-MOUNT



BN4060604CH

Industry Standards

UL 50, Types 4, 12 & 13
CSA Certified, Types 4 & 12
NEMA/EEMAC Type 4, 12 & 13
JIC EL-1-71

 UL File E6924, E64791

 CSA File LL66078

FEATURES-SPECIFICATIONS

Applications

Designed for use as instrument housings, electrical control enclosures, terminal wiring boxes or electrical junction boxes. Provides protection in areas that are hosed down or very wet or in outdoor applications.

Construction

- Bodies 14 gauge and doors fabricated from 16 gauge steel
- Continuously welded seams ground smooth, less knockouts or holes
- Closed cell oil resistant neoprene gasket

- External mounting plates, top and bottom of enclosure
- Weldnuts are provided on models 6.00" x 4.00" and larger to secure optional panel
- Continuous hinged cover is secured on three sides with stainless steel screws and clamps to assure a watertight seal
- Cover removable by pulling stainless steel hinge pin
- Grounding provisions provided
- **Optional** back panels and terminal kits must be ordered separately

Finish

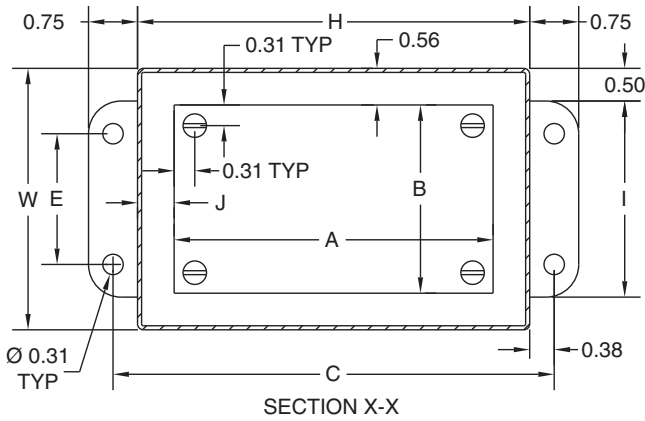
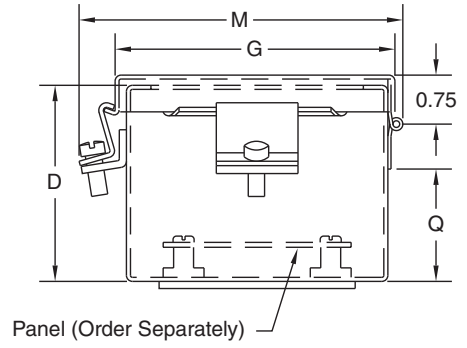
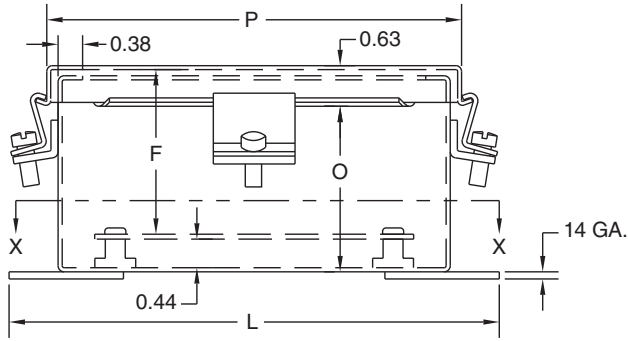
- ANSI-61 gray polyester powder inside and out
- **Optional** back panels are white polyester powder
- **Optional** "G" panels have a conductive finish (See page I2)

Accessories

- Back panels (reference tables)
- See pages J1-J22

BN4-CH SERIES JIC CONTINUOUS HINGED ENCLOSURES															
CATALOG NUMBER	ENCLOSURE SIZE H X W X D	BACK PANEL CATALOG NUMBER*		BACK PANEL SIZE A X B	MOUNTING C X E	OVERALL L X M	F	G	I	J	K	N	O	P	Q
		WHITE	"G"												
BN4040403CH	4.00x4.00x3.00 (102x102x76)	—	—	—	4.75x2.00 (121x51)	5.50x5.00 (140x127)	2.53 (64)	4.31 (109)	3.00 (76)	—	1.38 (35)	1.38 (35)	2.53 (64)	4.31 (110)	1.78 (45)
BN4060403CH	6.00x4.00x3.00 (152x102x76)	P0604	P0604G	4.88x2.88 (124x73)	6.75x2.00 (171x51)	7.50x5.00 (191x127)	2.53 (64)	4.31 (109)	3.00 (76)	0.56 (14)	1.38 (35)	2.38 (60)	2.53 (64)	6.31 (160)	1.78 (45)
BN4060604CH	6.00x6.00x4.00 (152x152x102)	P0606	P0606G	4.88x4.88 (124x124)	6.75x4.00 (171x102)	7.50x7.00 (191x178)	3.53 (90)	6.31 (160)	5.00 (127)	0.56 (14)	2.38 (60)	2.38 (60)	3.53 (90)	6.31 (160)	2.78 (71)
BN4080603CH	8.00x6.00x3.50 (203x152x89)	P0806	P0806G	6.88x4.88 (175x124)	8.75x4.00 (222x102)	9.50x7.00 (241x178)	3.03 (77)	6.31 (160)	5.00 (127)	0.56 (14)	2.38 (60)	3.38 (86)	3.03 (77)	8.31 (211)	2.28 (58)
BN4100804CH	10.00x8.00x4.00 (254x203x102)	P1008	P1008G	8.88x6.88 (226x175)	10.75x6.00 (273x152)	11.50x9.00 (292x229)	3.53 (90)	8.31 (211)	7.00 (178)	0.56 (14)	3.38 (86)	1.50 (38)	5.53 (141)	10.31 (262)	2.78 (71)
BN4100806CH	10.00x8.00x6.00 (254x203x152)	P1008	P1008G	8.88x6.88 (226x175)	10.75x6.00 (273x152)	11.50x9.00 (292x229)	5.53 (141)	8.31 (211)	7.00 (178)	0.56 (14)	3.38 (86)	1.50 (38)	5.53 (141)	10.31 (262)	4.78 (121)
BN4121005CH	12.00x10.00x5.00 (305x254x127)	P1210	P1210G	10.88x8.88 (276x226)	12.75x8.00 (324x203)	13.50x11.00 (343x279)	4.53 (115)	10.31 (262)	9.00 (229)	0.56 (14)	2.00 (51)	3.00 (76)	4.53 (115)	12.31 (313)	3.78 (96)
BN4121206CH	12.00x12.00x6.00 (305x305x152)	P1212	P1212G	10.88x10.88 (276x276)	12.75x10.00 (324x254)	13.50x13.00 (343x330)	5.53 (141)	12.31 (313)	11.00 (279)	0.56 (14)	2.50 (64)	2.50 (64)	5.53 (141)	12.31 (313)	4.78 (121)
BN4141206CH	14.00x12.00x6.00 (356x305x152)	P1412	P1412G	12.88x10.88 (327x276)	14.75x10.00 (375x254)	15.50x13.00 (394x330)	5.53 (141)	12.31 (313)	11.00 (279)	0.56 (14)	2.00 (51)	3.00 (76)	5.53 (141)	14.31 (364)	4.78 (121)
BN4161406CH	16.00x14.00x6.00 (406x356x152)	P1614	P1614G	14.88x12.88 (378x327)	16.75x12.00 (425x305)	17.50x15.00 (445x381)	5.53 (141)	14.31 (363)	13.00 (330)	0.56 (14)	3.50 (89)	1.50 (38)	5.53 (141)	16.31 (414)	4.78 (121)

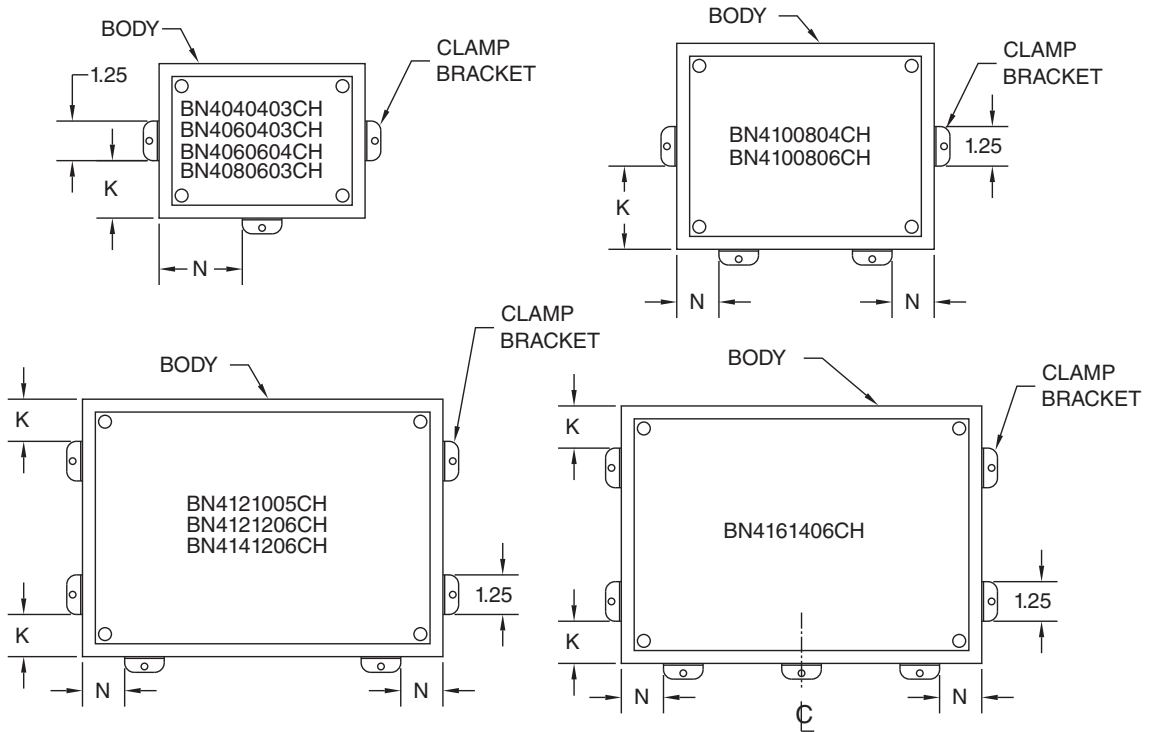
*Back panels must be ordered separately.



Notes:

1. Panels are 14 Ga. steel.
2. Panel screws are #10-32 Pan Head.

CLAMP BRACKET LOCATIONS



**WA - GSC SERIES ENCLOSURES
NEMA 3 & 4 SCREW COVER MOISTURE PROOF**



WA060604GSC



WA060604GSCG

Industry Standards

UL50, Types 3 & 4
NEMA/EEMAC Type 3 & 4



FEATURES-SPECIFICATIONS

Applications

Designed for use as a wiring box, junction box, pull box, and terminal box in many indoor or outdoor applications where dust or moisture is a problem.

Construction

- Bodies fabricated from 14 or 12 gauge carbon steel or G-90 grade galvanized steel. Covers fabricated from 14, 12, or G-90 grade galvanized steel

- Seams are continuously welded and ground smooth
- Cover contains closed cell oil resistant neoprene gasket
- Enclosure comes with stainless steel cover screws which thread into sealed wells to prevent liquid, dust, etc., from entering into the box through the screw holes
- Ground stud located in door

- Galvanized box welded corners protected by zinc-rich coating
- No holes, knockouts, or rear mounting holes

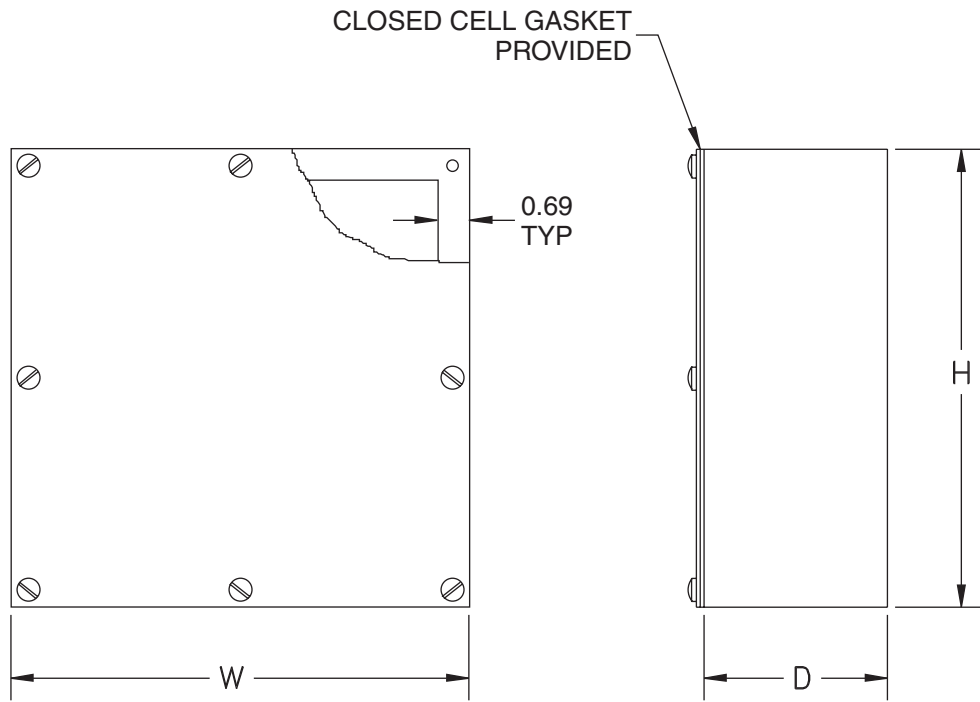
Finish

- ANSI-61 gray polyester powder inside and out, or unpainted pre-galvanized steel

Accessories

- See pages J1-J22

WA-GSC SERIES SCREW COVER ENCLOSURES			
CATALOG NUMBER		BODY/DOOR STEEL GAUGE	ENCLOSURE SIZE H X W X D
PAINTED	GALVANIZED		
WA060604GSC	WA060604GSCG	14/14	6.00x6.00x4.00 (152x152x102)
WA060606GSC	WA060606GSCG	14/14	6.00x6.00x6.00 (152x152x152)
WA060804GSC	WA060804GSCG	14/14	6.00x8.00x4.00 (152x203x102)
WA060806GSC	WA060806GSCG	14/14	6.00x8.00x6.00 (152x203x152)
WA080804GSC	WA080804GSCG	14/14	8.00x8.00x4.00 (203x203x102)
WA080806GSC	WA080806GSCG	14/14	8.00x8.00x6.00 (203x203x152)
WA081004GSC	WA081004GSCG	14/14	8.00x10.00x4.00 (203x254x102)
WA101004GSC	WA101004GSCG	14/14	10.00x10.00x4.00 (254x254x102)
WA101006GSC	WA101006GSCG	14/14	10.00x10.00x6.00 (254x254x152)
WA101206GSC	WA101206GSCG	14/14	10.00x12.00x6.00 (254x305x152)
WA121204GSC	WA121204GSCG	14/14	12.00x12.00x4.00 (305x305x102)
WA121206GSC	WA121206GSCG	14/14	12.00x12.00x6.00 (305x305x152)
WA121606GSC	WA121606GSCG	14/14	12.00x16.00x6.00 (305x406x152)
WA121608GSC	WA121608GSCG	14/14	12.00x16.00x8.00 (305x406x203)
WA161606GSC	WA161606GSCG	14/14	16.00x16.00x6.00 (406x406x152)
WA161608GSC	WA161608GSCG	14/14	16.00x16.00x8.00 (406x406x203)
WA181806GSC	WA181806GSCG	14/14	18.00x18.00x6.00 (457x457x152)
WA202008GSC	WA202008GSCG	14/14	20.00x20.00x8.00 (508x508x203)
WA202408GSC	WA202408GSCG	14/14	20.00x24.00x8.00 (508x610x203)
WA242408GSC	WA242408GSCG	14/14	24.00x24.00x8.00 (610x610x203)
WA303012GSC	WA303012GSCG	12/12	30.00x30.00x12.00 (762x762x305)
WA363612GSC	WA363612GSCG	12/12	36.00x36.00x12.00 (914x914x305)



N412 - C ULTIMATE SERIES ENCLOSURES NEMA 4 & 12 SINGLE DOOR WALL-MOUNT



N412161206C

Industry Standards

UL 508, Types 4, 12 & 13
CSA Certified, Types 4, 12 & 13
NEMA/EEMAC Type 4, 12 & 13

Wall mounting brackets required to maintain UL/CSA external mounting requirements

 UL Files E64791

 CSA File LL66078

FEATURES-SPECIFICATIONS

Applications

Hubbell Wiegmann N412C ULTIMATE Series Enclosures are designed to house and protect electrical and electronic components from harsh, dirty environments. For use in installations where dirt, dust, oil, water, or other contaminants are present. Streamlined styling, flush latching, and attractive durable finish complement any high tech electronic equipment.

Construction

- Bodies and doors fabricated from 14 gauge steel
- Continuously Plasma welded seams
- Increased tub opening for better access
- Concealed hinges

- Doors are interchangeable and easily removable
- Grounding provisions provided
- 1/4-turn semi-flush oil tight latches are supplied to hold door securely closed
- Print pocket is provided
- Doors are sealed with poured-in-place polyurethane gasket**
- Mounting holes in rear of enclosure
- Studs for mounting optional back panel (the Ultimate back panels have increased in size to accommodate larger foot-print installations)

Finish

- ANSI 61 gray polyester powder inside and out

- An optional RAL7035 textured light-gray polyester powder finish is available, but is made to order only. (Consult Factory) An "LG" is all that is needed to order product.***
- Optional back panels are white polyester powder
- Optional "G" panels have a conductive finish (See page I5)

Accessories

- Back panels (see reference tables)
- Window door (see reference tables)
- See pages J1-J22. See pages J20-J22 for ULTIMATE Series Accessories
- Optional N412MFK mounting foot kit must be ordered separately

N412C ULTIMATE SERIES SINGLE DOOR ENCLOSURES

CATALOG NUMBER	BODY/DOOR STEEL GAUGE	ENCLOSURE SIZE H X W X D	BACK PANEL CATALOG NUMBER*		BACK PANEL SIZE A & B	C	E
			WHITE	"G"			
N412121206C	14/14	12.00x12.00x6.00 (305x305x152)	NP1212C	NP1212CG	10.2x10.2 (259x259)	6.00 (152)	—
N412161206C	14/14	16.00x12.00x6.00 (406x305x152)	NP1612C	NP1612CG	14.2x10.2 (361x259)	8.00 (203)	—
N412161606C	14/14	16.00x16.00x6.00 (406x406x152)	NP1616C	NP1616CG	14.2x14.2 (361x361)	8.00 (203)	—
N412162006C	14/14	16.00x20.00x6.00 (406x508x152)	NP2016C	NP2016CG	14.2x18.2 (361x462)	8.00 (203)	—
N412201606C	14/14	20.00x16.00x6.00 (508x406x152)	NP2016C	NP2016CG	18.2x14.2 (462x361)	10.00 (254)	—
N412202006C	14/14	20.00x20.00x6.00 (508x508x152)	NP2020C	NP2020CG	18.2x18.2 (462x462)	10.00 (254)	—
N412241606C	14/14	24.00x16.00x6.00 (610x406x152)	NP2416C	NP2416CG	22.2x14.2 (564x361)	12.00 (305)	—
N412242006C	14/14	24.00x20.00x6.00 (610x508x152)	NP2420C	NP2420CG	22.2x18.2 (564x462)	12.00 (305)	—
N412242406C	14/14	24.00x24.00x6.00 (610x610x152)	NP2424C	NP2424CG	22.2x22.2 (564x564)	4.00 (102)	16.00 (406)
N412161208C	14/14	16.00x12.00x8.00 (406x305x203)	NP1612C	NP1612CG	14.2x10.2 (361x259)	8.00 (203)	—
N412161608C	14/14	16.00x16.00x8.00 (406x406x203)	NP1616C	NP1616CG	14.2x14.2 (361x361)	8.00 (203)	—
N412162008C	14/14	16.00x20.00x8.00 (406x508x203)	NP2016C	NP2016CG	14.2x18.2 (361x462)	8.00 (203)	—
N412201608C	14/14	20.00x16.00x8.00 (508x406x203)	NP2016C	NP2016CG	18.2x14.2 (462x361)	10.00 (254)	—
N412241608C	14/14	24.00x16.00x8.00 (610x406x203)	NP2416C	NP2416CG	22.2x14.2 (564x361)	12.00 (305)	—
N412202008C	14/14	20.00x20.00x8.00 (508x508x203)	NP2020C	NP2020CG	18.2x18.2 (462x462)	10.00 (254)	—
N412242008C	14/14	24.00x20.00x8.00 (610x508x203)	NP2420C	NP2420CG	22.2x18.2 (564x462)	12.00 (305)	—
N412302008C	14/14	30.00x20.00x8.00 (762x508x203)	NP3020C	NP3020CG	28.2x18.2 (716x462)	4.00 (102)	22.00 (559)
N412202408C	14/14	20.00x24.00x8.00 (508x610x203)	NP2420C	NP2420CG	18.2x22.2 (462x564)	10.00 (254)	—

*Back panels must be ordered separately.

***An optional RAL7035 Textured light-gray polyester powder finish is available, but is made to order only. (Consult Factory) An "LG" is all that is needed to order product.

Continued on page D9

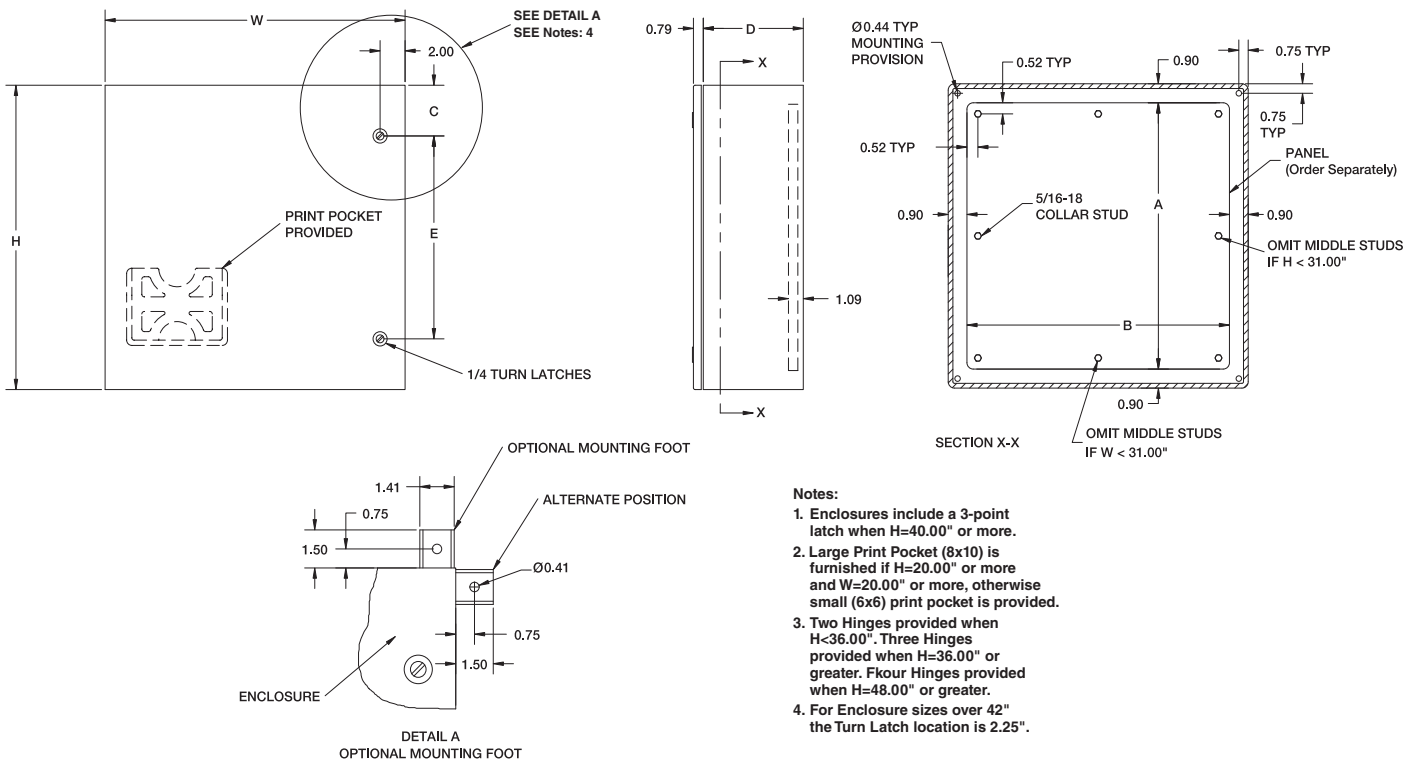
**N412 - C ULTIMATE SERIES ENCLOSURES
NEMA 4 & 12 SINGLE DOOR WALL-MOUNT**

D9

N412C ULTIMATE SERIES SINGLE DOOR ENCLOSURES (CONT.)							
CATALOG NUMBER	BODY/DOOR STEEL GAUGE	ENCLOSURE SIZE H X W X D	BACK PANEL CATALOG NUMBER*		BACK PANEL SIZE A & B	C	E
			WHITE	"G"			
N412242408C	14/14	24.00x24.00x8.00 (610x610x203)	NP2424C	NP2424CG	22.2x22.2 (564x564)	4.00 (102)	16.00 (406)
N412302408C	14/14	30.00x24.00x8.00 (762x610x203)	NP3024C	NP3024CG	28.2x22.2 (716x564)	4.00 (102)	22.00 (559)
N412362408C	14/14	36.00x24.00x8.00 (914x610x203)	NP3624C	NP3624CG	34.2x22.2 (869x564)	4.00 (102)	28.00 (711)
N412243008C	14/14	24.00x30.00x8.00 (610x762x203)	NP2430C	NP2430CG	22.2x28.2 (564x716)	4.00 (102)	16.00 (406)
N412303008C	14/14	30.00x30.00x8.00 (762x762x203)	NP3030C	NP3030CG	28.2x28.2 (716x716)	4.00 (102)	22.00 (559)
N412363008C	14/14	36.00x30.00x8.00 (914x762x203)	NP3630C	NP3630CG	34.2x28.2 (869x716)	4.00 (102)	28.00 (711)
N412363608C	14/14	36.00x36.00x8.00 (914x914x203)	NP3636C	NP3636CG	34.2x34.2 (869x869)	4.00 (102)	28.00 (711)
N412161210C	14/14	16.00x12.00x10.00 (406x305x254)	NP1612C	NP1612CG	14.2x10.2 (361x259)	8.00 (204)	—
N412161610C	14/14	16.00x16.00x10.00 (406x406x254)	NP1616C	NP1616CG	14.2x14.2 (361x361)	8.00 (204)	—
N412162010C	14/14	16.00x20.00x10.00 (406x508x254)	NP1620C	NP1620CG	14.2x18.2 (361x462)	8.00 (204)	—
N412201610C	14/14	20.00x16.00x10.00 (508x406x254)	NP2016C	NP2016CG	18.2x14.2 (462x361)	10.00 (255)	—
N412202010C	14/14	20.00x20.00x10.00 (508x508x254)	NP2020C	NP2020CG	18.2x18.2 (462x462)	10.00 (255)	—
N412202410C	14/14	20.00x24.00x10.00 (508x610x254)	NP2024C	NP2024CG	18.2x22.2 (462x564)	10.00 (255)	—
N412241610C	14/14	24.00x16.00x10.00 (610x406x254)	NP2416C	NP2416CG	22.2x14.2 (564x361)	12.00 (306)	—
N412242010C	14/14	24.00x20.00x10.00 (610x508x254)	NP2420C	NP2420CG	22.2x18.2 (564x462)	12.00 (306)	—
N412242410C	14/14	24.00x24.00x10.00 (610x610x254)	NP2424C	NP2424CG	22.2x22.2 (564x564)	4.00 (102)	16.00 (406)
N412243010C	14/14	24.00x30.00x10.00 (610x762x254)	NP2430C	NP2430CG	22.2x28.2 (564x716)	4.00 (102)	16.00 (406)
N412302010C	14/14	30.00x20.00x10.00 (762x508x254)	NP3020C	NP3020CG	28.2x18.2 (716x462)	4.00 (102)	22.00 (559)
N412302410C	14/14	30.00x24.00x10.00 (762x610x254)	NP3024C	NP3024CG	28.2x22.2 (716x564)	4.00 (102)	28.00 (711)
N412303010C	14/14	30.00x30.00x10.00 (762x762x254)	NP3030C	NP3030CG	28.2x28.2 (716x716)	4.00 (102)	22.00 (559)
N412362410C	14/14	36.00x24.00x10.00 (914x610x254)	NP3624C	NP3624CG	34.2x22.2 (869x564)	4.00 (102)	28.00 (711)
N412363010C	14/14	36.00x30.00x10.00 (914x762x254)	NP3630C	NP3630CG	34.2x28.2 (869x716)	4.00 (102)	28.00 (711)
N412363610C	14/14	36.00x36.00x10.00 (914x914x254)	NP3636C	NP3636CG	34.2x34.2 (869x869)	4.00 (102)	28.00 (711)
N412423610C	14/14	42.00x36.00x10.00 (1067x914x254)	NP4236C	NP4236CG	40.2x34.2 (1021x869)	21.00 (533)	—
N412482410C	14/14	48.00x24.00x10.00 (1219x610x254)	NP4824C	NP4824CG	46.2x22.2 (1173x564)	24.00 (610)	—
N412483610C	14/14	48.00x36.00x10.00 (1219x914x254)	NP4836C	NP4836CG	46.2x34.2 (1173x869)	24.00 (610)	—
N412603610C	14/14	60.00x36.00x10.00 (1524x914x254)	NP6036C	NP6036CG	58.2x34.2 (1478x869)	30.00 (765)	—
N412202012C	14/14	20.00x20.00x12.00 (508x508x305)	NP2020C	NP2020CG	18.2x18.2 (462x462)	10.00 (254)	16.00 (406)
N412242012C	14/14	24.00x20.00x12.00 (610x508x305)	NP2420C	NP2420CG	22.2x18.2 (564x462)	12.00 (305)	—
N412242412C	14/14	24.00x24.00x12.00 (610x610x305)	NP2424C	NP2424CG	22.2x22.2 (564x564)	4.00 (102)	16.00 (406)
N412302412C	14/14	30.00x24.00x12.00 (762x610x305)	NP3024C	NP3024CG	28.2x22.2 (716x564)	4.00 (102)	22.00 (559)
N412303012C	14/14	30.00x30.00x12.00 (762x762x305)	NP3030C	NP3030CG	28.2x28.2 (716x716)	4.00 (102)	—
N412362412C	14/14	36.00x24.00x12.00 (914x610x305)	NP3624C	NP3624CG	34.2x22.2 (869x564)	4.00 (102)	28.00 (711)
N412402412C	14/14	40.00x24.00x12.00 (1016x610x305)	NP4024C	NP4024CG	38.2x22.2 (970x564)	20.00 (508)	—
N412363012C	14/14	36.00x30.00x12.00 (914x762x305)	NP3630C	NP3630CG	34.2x28.2 (869x716)	4.00 (102)	28.00 (711)
N412363612C	14/14	36.00x36.00x12.00 (914x914x305)	NP3636C	NP3636CG	34.2x34.2 (869x869)	4.00 (102)	28.00 (711)
N412423612C	14/14	42.00x36.00x12.00 (1067x914x305)	NP4236C	NP4236CG	40.2x34.2 (1021x869)	21.00 (533)	—
N412482412C**	14/14	48.00x24.00x12.00 (1219x610x305)	NP4824C	NP4824CG	46.2x22.2 (1173x564)	24.00 (610)	—
N412483612C**	14/14	48.00x36.00x12.00 (1219x914x305)	NP4836C	NP4836CG	46.2x34.2 (1173x869)	24.00 (610)	16.00 (406)
N412603612C**	14/14	60.00x36.00x12.00 (1524x914x305)	NP6036C	NP6036CG	58.2x34.2 (1478x869)	30.00 (762)	28.00 (711)
N412242416C**	14/14	24.00x24.00x16.00 (610x610x406)	NP2424C	NP2424CG	22.2x22.2 (564x564)	4.00 (102)	—
N412363016C**	14/14	36.00x30.00x16.00 (914x762x406)	NP3630C	NP3630CG	34.2x28.2 (869x716)	4.00 (102)	16.00 (406)
N412483616C**	14/14	48.00x36.00x16.00 (1219x914x406)	NP4836C	NP4836CG	46.2x34.2 (1173x869)	24.00 (610)	22.00 (559)
N412242420C**	14/14	24.00x24.00x20.00 (610x610x508)	NP2424C	NP2424CG	22.2x22.2 (564x564)	4.00 (102)	16.00 (406)
N412302420C**	14/14	30.00x24.00x20.00 (762x610x508)	NP3024C	NP3024CG	28.2x22.2 (716x564)	4.00 (102)	16.00 (406)
N412363020C**	14/14	36.00x30.00x20.00 (914x762x508)	NP3630C	NP3630CG	34.2x28.2 (869x716)	4.00 (102)	28.00 (711)

*Back panels must be ordered separately. **Enclosures are supplied with closed cell neoprene gasket (not foam-in-place).

***An optional RAL7035 Textured light-gray polyester powder finish is available, but is made to order only. (Consult Factory)
An "LG" is all that is needed to order product.



- Notes:**
1. Enclosures include a 3-point latch when H=40.00" or more.
 2. Large Print Pocket (8x10) is furnished if H=20.00" or more and W=20.00" or more, otherwise small (6x6) print pocket is provided.
 3. Two Hinges provided when H<36.00". Three Hinges provided when H=36.00" or greater. Four Hinges provided when H=48.00" or greater.
 4. For Enclosure sizes over 42" the Turn Latch location is 2.25".



N412WC

Industry Standards

UL 508, Types 4, 12 & 13

CSA Certified, Types 4, 12 & 13

NEMA/EEMAC Type 4, 12 & 13

Wall mounting brackets required to maintain UL/CSA external mounting requirements.

 UL Files E64791

 CSA File LL66078

FEATURES-SPECIFICATIONS

Applications

Hubbell Wiegmann N412WC ULTIMATE Series Enclosures are designed to house and protect electrical and electronic components from harsh, dirty environments. For use in installations where dirt, dust, oil, water, or other contaminants are present. Streamlined styling, flush latching, and attractive durable finish complement any high tech electronic equipment.

Construction

- Bodies and doors fabricated from 14 gauge steel
- Continuously Plasma welded seams
- Increased tub opening for better access
- Concealed hinges

- Plexiglass viewing window
- Doors are interchangeable and easily removable
- Grounding provisions provided on tub only
- 1/4-turn semi-flush oil tight latches are supplied to hold door securely closed
- Print pocket is provided
- Doors are sealed with poured-in-place polyurethane gasket**
- Mounting holes in rear of enclosure
- Studs for mounting **optional** back panel (the Ultimate back panels have increased in size to accommodate larger foot-print installations)

Finish

- ANSI 61 gray polyester powder inside and out

- An optional RAL7035 Textured light-gray polyester powder finish is available, but is made to order only. (Consult Factory) An "LG" is all that is needed to order product.***
- **Optional** back panels are white polyester powder
- **Optional** "G" panels have a conductive finish (See page 15)

Accessories

- Back panels (see reference tables)
- See pages J1-J22. See pages J20-J22 for ULTIMATE Series Accessories
- **Optional** N412MFK mounting foot kit must be ordered separately

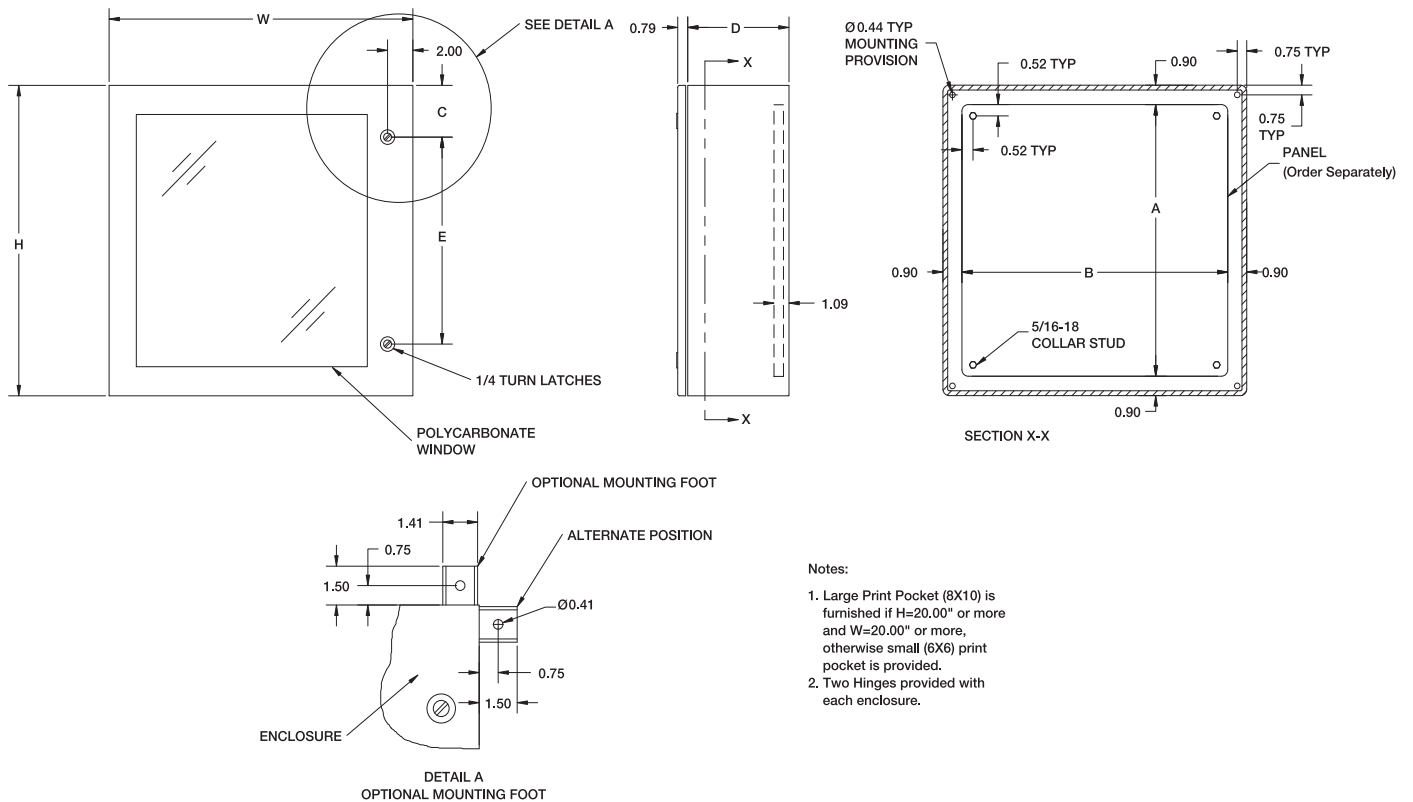
N412 - WC ULTIMATE SERIES ENCLOSURES NEMA 4 & 12 SINGLE DOOR WALL-MOUNT WITH WINDOW

N412-WC ULTIMATE SERIES ENCLOSURES NEMA 4 & 12 SINGLE DOOR WALL-MOUNT WITH WINDOW								
CATALOG NUMBER	BODY/DOOR STEEL GAUGE	ENCLOSURE SIZE H X W X D	VIEWABLE WINDOW AREA	BACK PANEL CATALOG NUMBER*		BACK PANEL SIZE A & B	C	E
				WHITE	"G"			
N412121206WC	14/14	12.00x12.00x6.00 (305x305x152)	7.50x6.25 (191x159)	NP1212C	NP1212CG	10.2x10.2 (259x259)	6.00 (152)	—
N412161206WC	14/14	16.00x12.00x6.00 (406x305x152)	11.50x6.25 (292x159)	NP1612C	NP1612CG	14.2x10.2 (361x259)	8.00 (203)	—
N412201606WC	14/14	20.00x16.00x6.00 (406x406x152)	15.50x10.25 (394x260)	NP2016C	NP2016CG	18.2x14.2 (462x361)	10.00 (254)	—
N412202006WC	14/14	20.00x20.00x6.00 (406x508x152)	15.50x14.25 (394x362)	NP2020C	NP2020CG	18.2x18.2 (462x462)	10.00 (254)	—
N412242006WC	14/14	24.00x20.00x6.00 (508x406x152)	19.50x14.25 (495x362)	NP2420C	NP2420CG	22.2x18.2 (564x462)	12.00 (305)	—
N412242406WC	14/14	24.00x24.00x6.00 (508x508x152)	19.50x18.25 (495x464)	NP2424C	NP2424CG	22.2x22.2 (564x564)	4.00 (102)	16.00 (406)
N412302406WC	14/14	30.00x24.00x6.00 (610x406x152)	25.50x18.25 (648x464)	NP3024C	NP3024CG	28.2x22.2 (716x564)	4.00 (102)	22.00 (559)
N412121208WC	14/14	12.00x12.00x8.00 (610x508x152)	7.50x6.25 (191x159)	NP1212C	NP1212CG	10.2x10.2 (259x259)	6.00 (152)	—
N412161208WC	14/14	16.00x12.00x8.00 (610x610x152)	11.50x6.25 (292x159)	NP1612C	NP1612CG	14.2x10.2 (361x259)	8.00 (203)	—
N412201608WC	14/14	20.00x16.00x8.00 (406x305x203)	15.50x10.25 (394x260)	NP2016C	NP2016CG	18.2x14.2 (462x361)	10.00 (254)	—
N412202008WC	14/14	20.00x20.00x8.00 (406x406x203)	15.50x14.25 (394x362)	NP2020C	NP2020CG	18.2x18.2 (462x462)	10.00 (254)	—
N412242008WC	14/14	24.00x20.00x8.00 (406x508x203)	19.50x14.25 (495x362)	NP2420C	NP2420CG	22.2x18.2 (564x462)	12.00 (305)	—
N412242408WC	14/14	24.00x24.00x8.00 (508x406x203)	19.50x18.25 (495x464)	NP2424C	NP2424CG	22.2x22.2 (564x564)	4.00 (102)	16.00 (406)
N412302408WC	14/14	30.00x24.00x8.00 (508x508x203)	25.50x18.25 (648x464)	NP3024C	NP3024CG	28.2x22.2 (716x564)	4.00 (102)	22.00 (559)
N412161210WC	14/14	16.00x12.00x10.00 (508x610x203)	11.50x6.25 (292x159)	NP1612C	NP1612CG	14.2x10.2 (361x259)	8.00 (203)	—
N412201610WC	14/14	20.00x16.00x10.00 (508x406x203)	15.50x10.25 (394x260)	NP2016C	NP2016CG	18.2x14.2 (462x361)	10.00 (254)	—
N412202010WC	14/14	20.00x20.00x10.00 (508x508x203)	15.50x14.25 (394x362)	NP2020C	NP2020CG	18.2x18.2 (462x462)	10.00 (254)	—
N412242010WC	14/14	24.00x20.00x10.00 (610x508x203)	19.50x14.25 (495x362)	NP2420C	NP2420CG	22.2x18.2 (564x462)	12.00 (305)	—
N412242410WC	14/14	24.00x24.00x10.00 (610x610x203)	19.50x18.25 (495x464)	NP2424C	NP2424CG	22.2x22.2 (564x564)	4.00 (102)	16.00 (406)
N412302410WC	14/14	30.00x24.00x10.00 (762x610x203)	25.50x18.25 (648x464)	NP3024C	NP3024CG	28.2x22.2 (716x564)	4.00 (102)	22.00 (559)
N412202012WC	14/14	20.00x20.00x12.00 (508x508x203)	15.50x14.25 (394x362)	NP2020C	NP2020CG	18.2x18.2 (462x462)	10.00 (254)	—
N412242012WC	14/14	24.00x20.00x12.00 (610x508x203)	19.50x14.25 (495x362)	NP2420C	NP2420CG	22.2x18.2 (564x462)	12.00 (305)	—
N412242412WC	14/14	24.00x24.00x12.00 (610x610x203)	19.50x18.25 (495x464)	NP2424C	NP2424CG	22.2x22.2 (564x564)	4.00 (102)	16.00 (406)
N412302412WC	14/14	30.00x24.00x12.00 (762x610x203)	25.50x18.25 (648x464)	NP3024C	NP3024CG	28.2x22.2 (716x564)	4.00 (102)	22.00 (559)
N412242416WC**	14/14	24.00x24.00x16.00 (610x610x203)	19.50x18.25 (495x464)	NP2424C	NP2424CG	22.2x22.2 (564x564)	4.00 (102)	16.00 (406)
N412242420WC**	14/14	24.00x24.00x20.00 (610x610x305)	19.50x18.25 (495x464)	NP2424C	NP2424CG	22.2x22.2 (564x564)	4.00 (102)	16.00 (406)
N412302420WC**	14/14	30.00x24.00x20.00 (610x610x305)	19.50x18.25 (495x464)	NP3024C	NP3024CG	28.2x22.2 (716x564)	4.00 (102)	22.00 (559)

*Back panels must be ordered separately.

**Enclosures are supplied with closed cell neoprene gasket (not foam-in-place).

***An optional RAL7035 Textured light-gray polyester powder finish is available, but is made to order only. (Consult Factory) An "LG" is all that is needed to order product.



N412 - 3PTC ULTIMATE SERIES ENCLOSURES NEMA 4 SINGLE DOOR WALL MOUNT



N4122416083PTC

Industry Standards

UL 508 Listed, Types 4 & 12
CSA Certified, Types 4 & 12
NEMA/EEMAC Type 4, 12 & 13

Wall mounting brackets required to maintain UL/CSA external mounting requirements.

 UL File E64791

 CSA File LL66078

FEATURES-SPECIFICATIONS

Applications

Hubbell Wiegmann N4123PTC ULTIMATE Series Enclosures are designed to house and protect electrical and electronic components from harsh, dirty environments. For use in installations where dirt, dust, oil, water, or other contaminants are present. Streamlined styling, flush latching, and attractive durable finish complement any high tech electronic equipment.

Construction

- Bodies and doors fabricated from 14 gauge steel.
- Continuously welded seams ground smooth, less holes or knockouts.

- Body stiffeners are included in larger enclosures for added rigidity.
- Doors are interchangeable and easily removable.
- Grounding studs are welded to door and body assuring a positive ground.
- Print pocket is provided.
- Doors are sealed with poured-in-place gasket**
- Mounting holes in rear of enclosure.
- Collar studs for mounting optional back panel.
- With 3pt Keylocking/padlocking Combo Handle

Finish

- ANSI 61 gray polyester powder inside and out
- Optional back panels are white polyester powder
- Optional "G" panels have a conductive finish (See page I5)

Accessories

- Optional N412MFK mounting foot kit must be ordered separately
- Back panels (see reference tables)
- Window door (reference tables)
- See pages J1-J22.

N412-3PTC ULTIMATE SERIES ENCLOSURES NEMA 4 SINGLE DOOR WALL-MOUNT						
CATALOG NUMBER	BODY/DOOR STEEL GAUGE	ENCLOSURE SIZE H X W X D	BACK PANEL CATALOG NUMBER*		DOOR & BOX STIFFENERS	BACK PANEL SIZE A & B
			WHITE	"G"		
N4121212063PTC	14/14	12.00x12.00x6.00 (305x305x152)	NP1212C	NP1212CG	No	10.2x10.2 (259x259)
N4121612063PTC	14/14	16.00x12.00x6.00 (406x305x152)	NP1612C	NP1612CG	No	14.2x10.2 (361x259)
N4121616063PTC	14/14	16.00x16.00x6.00 (406x406x152)	NP1616C	NP1616CG	No	14.2x14.2 (361x361)
N4121620063PTC	14/14	16.00x20.00x6.00 (406x508x152)	NP1620C	NP1620CG	No	14.2x18.2 (361x462)
N4122016063PTC	14/14	20.00x16.00x6.00 (508x406x152)	NP2016C	NP2016CG	No	18.2x14.2 (462x361)
N4122020063PTC	14/14	20.00x20.00x6.00 (508x508x152)	NP2020C	NP2020CG	No	18.2x18.2 (462x462)
N4122416063PTC	14/14	24.00x16.00x6.00 (610x406x152)	NP2416C	NP2416CG	No	22.2x14.2 (564x361)
N4122420063PTC	14/14	24.00x20.00x6.00 (610x508x152)	NP2420C	NP2420CG	No	22.2x18.2 (564x462)
N4122424063PTC	14/14	24.00x24.00x6.00 (610x610x152)	NP2424C	NP2424CG	No	22.2x22.2 (564x564)
N4121612083PTC	14/14	16.00x12.00x8.00 (406x305x203)	NP1612C	NP1612CG	No	14.2x10.2 (361x259)
N4121616083PTC	14/14	16.00x16.00x8.00 (406x406x203)	NP1616C	NP1616CG	No	14.2x14.2 (361x361)
N4121620083PTC	14/14	16.00x20.00x8.00 (406x508x203)	NP1620C	NP1620CG	No	14.2x18.2 (361x462)
N4122016083PTC	14/14	20.00x16.00x8.00 (508x406x203)	NP2016C	NP2016CG	No	18.2x14.2 (462x361)
N4122020083PTC	14/14	20.00x20.00x8.00 (508x508x203)	NP2020C	NP2020CG	No	18.2x18.2 (462x462)
N4122024083PTC	14/14	20.00x24.00x8.00 (508x610x203)	NP2024C	NP2024CG	No	18.2x22.2 (462x564)
N4122416083PTC	14/14	24.00x16.00x8.00 (406x305x203)	NP2416C	NP2416CG	No	22.2x14.2 (564x361)
N4122420083PTC	14/14	24.00x20.00x8.00 (610x508x203)	NP2420C	NP2420CG	No	22.2x18.2 (564x462)
N4122424083PTC	14/14	24.00x24.00x8.00 (610x610x203)	NP2424C	NP2424CG	No	22.2x22.2 (564x564)
N4122430083PTC	14/14	24.00x30.00x8.00 (610x762x203)	NP2430C	NP2430CG	No	22.2x28.2 (564x716)

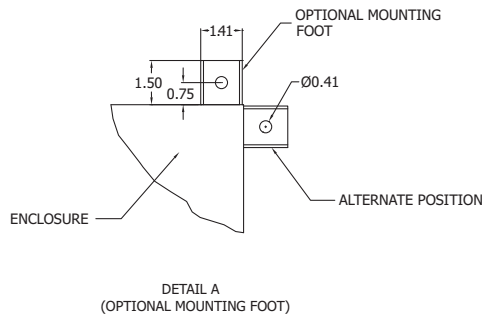
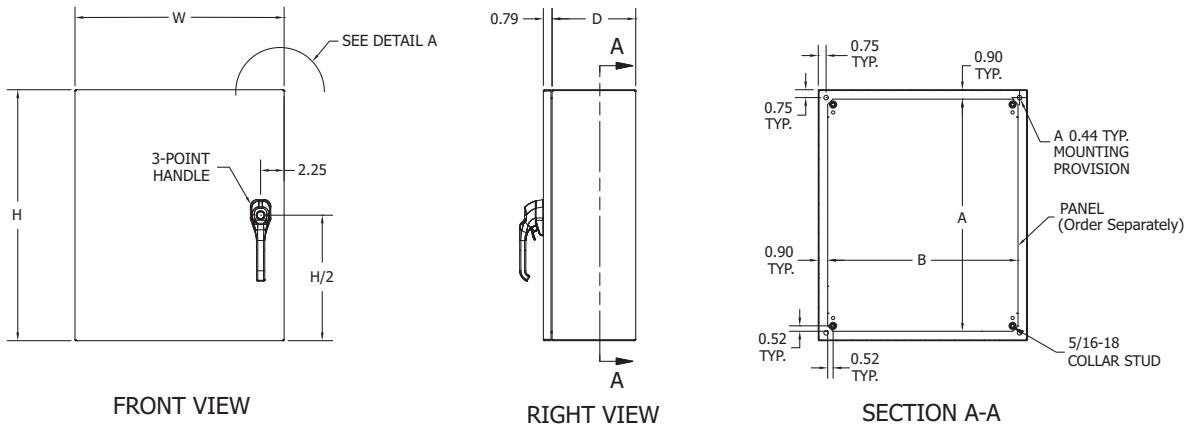
*Back panels must be ordered separately.

**Enclosures are supplied with closed cell neoprene gasket (not foam-in-place).

N412-3PTC ULTIMATE SERIES ENCLOSURES NEMA 4 SINGLE DOOR WALL-MOUNT CONT'D.						
CATALOG NUMBER	BODY/DOOR STEEL GAUGE	ENCLOSURE SIZE H X W X D	BACK PANEL CATALOG NUMBER*		DOOR & BOX STIFFENERS	BACK PANEL SIZE A & B
			WHITE	"G"		
N4123020083PTC	14/14	30.00x20.00x8.00 (762x508x203)	NP3020C	NP3020CG	No	28.2x18.2 (716x464)
N4123024083PTC	14/14	30.00x24.00x8.00 (762x610x203)	NP3024C	NP3024CG	No	28.2x22.2 (716x564)
N4123030083PTC	14/14	30.00x30.00x8.00 (762x762x203)	NP3030C	NP3030CG	No	28.2x28.2 (716x716)
N4123624083PTC	14/14	36.00x24.00x8.00 (914x610x203)	NP3624C	NP3624CG	No	34.2x22.2 (869x564)
N4123630083PTC	14/14	36.00x30.00x8.00 (914x508x305)	NP3630C	NP3630CG	No	34.2x28.2 (869x716)
N4123636083PTC	14/14	36.00x36.00x8.00 (914x914x203)	NP3636C	NP3636CG	No	34.2x34.2 (869x869)
N4122020123PTC	14/14	20.00x20.00x12.00 (508x508x305)	NP2020C	NP2020CG	No	18.2x18.2 (462x462)
N4122420123PTC	14/14	24.00x20.00x12.00 (610x508x305)	NP2420C	NP2420CG	No	22.2x18.2 (564x462)
N4122424123PTC	14/14	24.00x24.00x12.00 (610x610x305)	NP2424C	NP2424CG	No	22.2x22.2 (564x564)
N4123024123PTC	14/14	30.00x24.00x12.00 (762x610x305)	NP3024C	NP3024CG	No	28.2x22.2 (716x564)
N4123030123PTC	14/14	30.00x30.00x12.00 (762x762x305)	NP3030C	NP3030CG	No	28.2x28.2 (716x716)
N4123624123PTC	14/14	36.00x24.00x12.00 (914x610x305)	NP3624C	NP3624CG	No	34.2x22.2 (869x564)
N4123630123PTC	14/14	36.00x30.00x12.00 (914x762x305)	NP3630C	NP3630CG	No	34.2x28.2 (869x716)
N4123636123PTC	14/14	36.00x36.00x12.00 (914x914x305)	NP3636C	NP3636CG	No	34.2x34.2 (869x869)
N4124024123PTC	14/14	40.00x24.00x12.00 (1016x610x305)	NP4024C	NP4024CG	No	38.2x22.2 (970x564)
N4124236123PTC	14/14	42.00x36.00x12.00 (1067x914x305)	NP4236C	NP4236CG	No	40.2x34.2 (1021x869)
N4124824123PTC**	14/14	48.00x24.00x12.00 (1219x610x305)	NP4824C	NP4824CG	No	46.2x22.2 (1173x564)
N4124836123PTC**	14/14	48.00x36.00x12.00 (1219x914x305)	NP4836C	NP4836CG	No	46.2x34.2 (1173x869)
N4126036123PTC**	14/14	60.00x36.00x12.00 (1524x914x305)	NP6036C	NP6036CG	No	58.2x34.2 (1478x869)
N4122424163PTC**	14/14	24.00x24.00x16.00 (610x610x406)	NP2424C	NP2424CG	No	22.2x22.2 (564x564)
N4123630163PTC**	14/14	36.00x30.00x16.00 (914x762x406)	NP3630C	NP3630CG	No	34.2x28.2 (869x716)
N4124836163PTC**	14/14	48.00x36.00x16.00 (1219x914x406)	NP4836C	NP4836CG	No	46.2x34.2 (1173x869)
N4122424203PTC**	14/14	24.00x24.00x20.00 (610x610x508)	NP2424C	NP2424CG	No	22.2x22.2 (564x564)
N4123024203PTC**	14/14	30.00x24.00x20.00 (762x610x508)	NP3024C	NP3024CG	No	28.2x22.2 (716x564)
N4123630203PTC**	14/14	36.00x30.00x20.00 (914x762x508)	NP3630C	NP3630CG	No	34.2x28.2 (869x716)

*Back panels must be ordered separately.

**Enclosures are supplied with closed cell neoprene gasket (not foam-in-place).



Notes:

1. Large Print Pocket (8 X 10) is furnished if H=20.00" or more and W=20.00" or more. Otherwise, small (6 X 6) print pocket is provided.
2. Two Hinges provided when H<36.00".
Three Hinges provided when H=36.00" or greater.
Four Hinges provided when H=48.00" or greater.

N412 - CST ULTIMATE SERIES ENCLOSURES NEMA 4 & 12 CARBON STEEL SLOPE TOP SINGLE DOOR



N412241608CST

Industry Standards

UL 508 Listed, Types 4 & 12
CSA Certified, Types 4 & 12
NEMA/EEMAC Type 4, 12 & 13

Wall mounting brackets required to maintain UL/CSA external mounting requirements.

 UL File E64791

 CSA File LL66078

FEATURES-SPECIFICATIONS

Applications

Hubbell Wiegmann N412CST ULTIMATE Series Enclosures are designed to house and protect electrical and electronic components from harsh, dirty environments. For use in installations where dirt, dust, oil, water, or other contaminants are present. Streamlined styling, flush latching, and attractive durable finish complement any high tech electronic equipment.

Construction

- Bodies and doors fabricated from 14 gauge steel.
- Continuously Plasma welded seams.
- Increased tub opening for better access.

- 20° sloped top.
- Sloped "Top tub flange".
- Concealed hinges.
- Doors are interchangeable and easily removable.
- Grounding provisions provided.
- 1/4-turn semi-flush oil tight latches are supplied to hold door securely closed.
- Print pocket is provided.
- Doors are sealed with poured-in-place polyurethane gasket.**
- Mounting holes in rear of enclosure.
- Studs for mounting optional back panel (the Ultimate back panels have increased in size to accommodate larger foot-print installations).

- Ultimate Accessory Driven. (See pages J20-J22)

Finish

- ANSI 61 gray polyester powder inside and out.
- Optional back panels are white polyester powder.
- Optional "G" panels have a conductive finish (See page I5)

Accessories

- Optional N412MFK mounting foot kit must be ordered separately
- See pages J1-J22.

N412-CST ULTIMATE SERIES ENCLOSURES NEMA 4 SINGLE DOOR WALL-MOUNT							
CATALOG NUMBER	BODY/DOOR STEEL GAUGE	ENCLOSURE SIZE H X W X D	BACK PANEL CATALOG NUMBER*		BACK PANEL SIZE A & B	C	E
			WHITE	"G"			
N412121206CST	14/14	12.00x12.00x6.00 (305x305x152)	NP1212C	NP1212CG	10.2x10.2 (259x259)	6.00 (152)	—
N412161206CST	14/14	16.00x12.00x6.00 (406x305x152)	NP1612C	NP1612CG	14.2x10.2 (361x259)	8.00 (203)	—
N412201606CST	14/14	20.00x16.00x6.00 (508x406x152)	NP2016C	NP2016CG	18.2x14.2 (462x361)	10.00 (254)	—
N412202006CST	14/14	20.00x20.00x6.00 (508x508x152)	NP2020C	NP2020CG	18.2x18.2 (462x462)	10.00 (254)	—
N412161608CST	14/14	16.00x16.00x8.00 (406x406x203)	NP1616C	NP1616CG	14.2x14.2 (361x361)	8.00 (203)	—
N412201608CST	14/14	20.00x16.00x8.00 (508x406x203)	NP2016C	NP2016CG	18.2x14.2 (462x361)	10.00 (254)	—
N412202008CST	14/14	20.00x20.00x8.00 (508x508x203)	NP2020C	NP2020CG	18.2x18.2 (462x462)	10.00 (254)	—
N412242008CST	14/14	24.00x20.00x8.00 (610x508x203)	NP2420C	NP2420CG	22.2x18.2 (564x462)	12.00 (305)	—
N412242408CST	14/14	24.00x24.00x8.00 (610x610x203)	NP2424C	NP2424CG	22.2x22.2 (564x564)	4.00 (102)	16.00 (406)
N412302408CST	14/14	30.00x24.00x8.00 (762x610x203)	NP3024C	NP3024CG	28.2x22.2 (716x564)	4.00 (102)	28.00 (711)
N412303008CST	14/14	30.00x30.00x8.00 (762x762x203)	NP3030C	NP3030CG	28.2x28.2 (716x716)	4.00 (102)	22.00 (559)
N412363008CST	14/14	36.00x30.00x8.00 (914x508x305)	NP3630C	NP3630CG	34.2x28.2 (869x716)	4.00 (102)	28.00 (711)
N412242410CST	14/14	24.00x24.00x10.00 (610x610x254)	NP2424C	NP2424CG	22.2x22.2 (564x564)	4.00 (102)	16.00 (406)
N412302410CST	14/14	30.00x24.00x10.00 (762x610x254)	NP3024C	NP3024CG	28.2x22.2 (716x564)	4.00 (102)	22.00 (559)
N412363010CST	14/14	36.00x30.00x10.00 (914x762x254)	NP3630C	NP3630CG	34.2x28.2 (869x716)	4.00 (102)	28.00 (711)
N412483610CST	14/14	48.00x36.00x10.00 (1219x914x254)	NP4836C	NP4836CG	46.2x34.2 (1173x869)	24.00 (610)	—
N412242412CST	14/14	24.00x24.00x12.00 (610x610x305)	NP2424C	NP2424CG	22.2x22.2 (564x564)	4.00 (102)	16.00 (406)
N412302412CST	14/14	30.00x24.00x12.00 (762x610x305)	NP3024C	NP3024CG	28.2x22.2 (716x564)	4.00 (102)	22.00 (559)
N412363012CST	14/14	36.00x30.00x12.00 (914x762x305)	NP3630C	NP3630CG	34.2x28.2 (869x716)	4.00 (102)	28.00 (711)

*Back panels must be ordered separately.

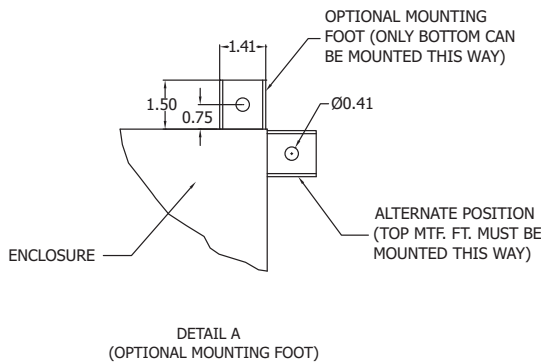
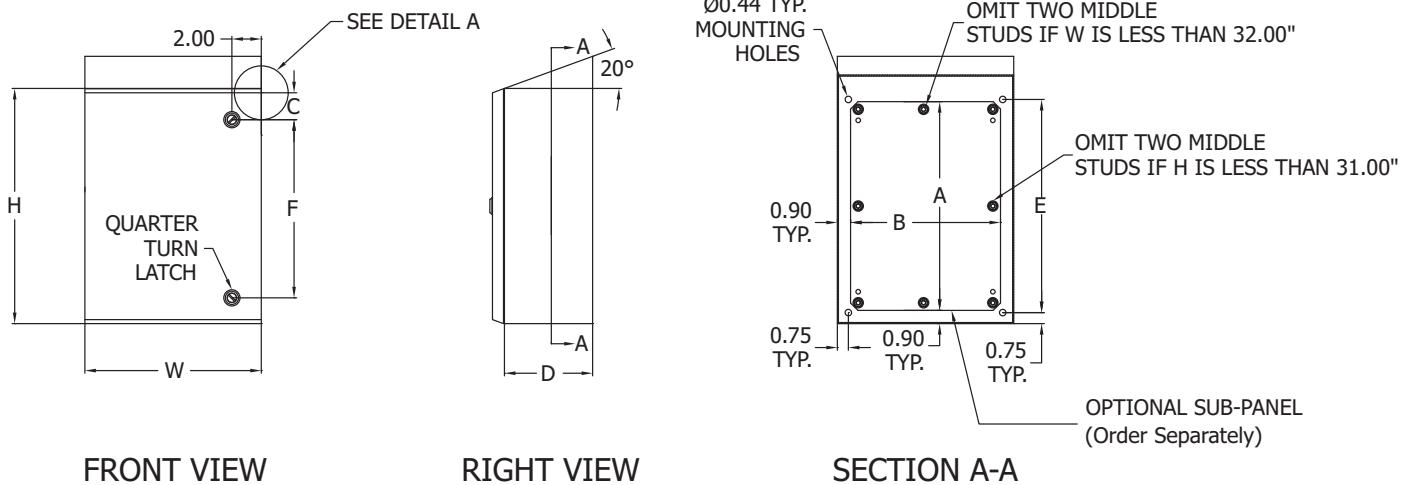
N412 - CST ULTIMATE SERIES ENCLOSURES NEMA 4 & 12 CARBON STEEL SLOPE TOP SINGLE DOOR

D17

N412 - CST ULTIMATE SERIES ENCLOSURES NEMA 4 & 12 CARBON STEEL SLOPE TOP SINGLE DOOR (CONT.)							
CATALOG NUMBER	BODY/DOOR STEEL GAUGE	ENCLOSURE SIZE H X W X D	BACK PANEL CATALOG NUMBER*		BACK PANEL SIZE A & B	C	E
			WHITE	"G"			
N412363612CST	14/14	36.00x36.00x12.00 (914x914x305)	NP3636C	NP3636CG	34.2x34.2 (869x869)	4.00 (102)	28.00 (711)
N412483612CST	14/14	48.00x36.00x12.00 (1219x914x305)	NP4836C	NP4836CG	46.2x34.2 (1173x869)	24.00 (610)	16.00 (406)
N412603612CST**	14/14	60.00x36.00x12.00 (1524x914x305)	NP6036C	NP6036CG	58.2x34.2 (1478x869)	30.00 (762)	28.00 (711)
N412363016CST**	14/14	36.00x30.00x16.00 (914x762x406)	NP3630C	NP3630CG	34.2x28.2 (869x716)	4.00 (102)	16.00 (406)
N412483616CST**	14/14	48.00x36.00x16.00 (1219x914x406)	NP4836C	NP4836CG	46.2x34.2 (1173x869)	24.00 (610)	22.00 (559)
N412302420CST**	14/14	30.00x24.00x20.00 (762x610x508)	NP3024C	NP3024CG	28.2x22.2 (716x564)	4.00 (102)	16.00 (406)

*Back panels must be ordered separately.

**Enclosures are supplied with closed cell neoprene gasket (not foam-in-place).



Notes:

1. Large Print Pocket (8 X 10) is furnished if H=20.00" or more and W=20.00" or more. Otherwise, small (6 X 6) print pocket is provided.
2. Two Hinges provided with H<36.00". Three Hinges provided when H=36.00" or greater. Four Hinges provided when H=48.00" or greater.

N4 SERIES ENCLOSURES NEMA 4 SINGLE DOOR WALL-MOUNT



N4161206

Industry Standards

UL 508, Types 4, 12 & 13
CSA Certified, Types 4 & 12
NEMA/EEMAC Type 4, 12 & 13



FEATURES-SPECIFICATIONS

Applications

Intended for use in housing electrical and electronic controls, instruments, components, and associated wiring, these enclosures incorporate hinged doors which provide convenient access. Designed for indoor or outdoor use in protecting components from dust, dirt, oil, and hose directed water.

Construction

- Bodies and doors fabricated from 14 gauge steel
- Continuously plasma welded seams
- Door and body stiffeners are provided in larger enclosures for extra rigidity

- Rolled lip on three sides of door and all sides of enclosure opening is provided to exclude liquids and contaminants
- Quick and easy to operate stainless steel door clamps are provided
- Doors are removable by pulling stainless steel continuous hinge pin
- Hasp and staple for padlocking
- Print pocket is provided
- Doors are sealed with poured-in-place polyurethane gasket**
- Collar studs provided for mounting optional back panels
- External mounting feet for mounting enclosure

- Grounding provisions provided
- Optional back panels must be ordered separately

Finish

- ANSI-61 polyester powder inside and outside
- Optional back panels are white polyester powder
- Optional "G" panels have a conductive finish (See page I4)

Accessories

- Back panels (reference tables)
- See pages J1-J22

N4 SERIES SINGLE DOOR ENCLOSURES								
CATALOG NUMBER	BODY/DOOR STEEL GAUGE	ENCLOSURE SIZE H X W X D	BACK PANEL CATALOG NUMBER*		BACK PANEL SIZE A X B	STIFFENER		E
			WHITE	"G"		DOOR	BODY	
N4161206	14/14	16.00x12.00x6.00 (406x305x152)	NP1612	NP1612G	13.00x9.00 (330x229)	No	No	—
N4161606	14/14	16.00x16.00x6.00 (406x406x152)	NP1616	NP1616G	13.00x13.00 (330x330)	No	No	—
N4162006	14/14	16.00x20.00x6.00 (406x508x152)	NP2016	NP2016G	13.00x17.00 (330x432)	No	No	—
N4201606	14/14	20.00x16.00x6.00 (508x406x152)	NP2016	NP2016G	17.00x13.00 (432x330)	No	No	—
N4202006	14/14	20.00x20.00x6.00 (508x508x152)	NP2020	NP2020G	17.00x17.00 (432x432)	No	No	—
N4241206	14/14	24.00x12.00x6.00 (610x305x152)	NP2412	NP2412G	21.00x9.00 (533x229)	No	No	4.313 (110)
N4241606	14/14	24.00x16.00x6.00 (610x406x152)	NP2416	NP2416G	21.00x13.00 (533x330)	No	No	4.313 (110)
N4242006	14/14	24.00x20.00x6.00 (610x508x152)	NP2420	NP2420G	21.00x17.00 (533x432)	No	No	4.313 (110)
N4242406	14/14	24.00x24.00x6.00 (610x610x152)	NP2424	NP2424G	21.00x21.00 (533x533)	No	No	4.313 (110)
N4302006	14/14	30.00x20.00x6.00 (762x508x152)	NP3020	NP3020G	27.00x17.00 (686x432)	No	No	5.813 (148)
N4302406	14/14	30.00x24.00x6.00 (762x610x152)	NP3024	NP3024G	27.00x21.00 (686x533)	No	No	5.813 (148)
N4362406	14/14	36.00x24.00x6.00 (914x610x152)	NP3624	NP3624G	33.00x21.00 (838x533)	No	No	7.313 (186)
N4161208	14/14	16.00x12.00x8.00 (406x305x203)	NP1612	NP1612G	13.00x9.00 (330x229)	No	No	—
N4201608	14/14	20.00x16.00x8.00 (508x406x203)	NP2016	NP2016G	17.00x13.00 (432x330)	No	No	—
N4202008	14/14	20.00x20.00x8.00 (508x508x203)	NP2020	NP2020G	17.00x17.00 (432x432)	No	No	—
N4202408	14/14	20.00x24.00x8.00 (508x610x203)	NP2420	NP2420G	21.00x17.00 (533x432)	No	No	—
N4242008	14/14	24.00x20.00x8.00 (610x508x203)	NP2420	NP2420G	21.00x17.00 (533x432)	No	No	4.313 (110)
N4242408	14/14	24.00x24.00x8.00 (610x610x203)	NP2424	NP2424G	21.00x21.00 (533x533)	No	No	4.313 (110)

*Back panels must be ordered separately.

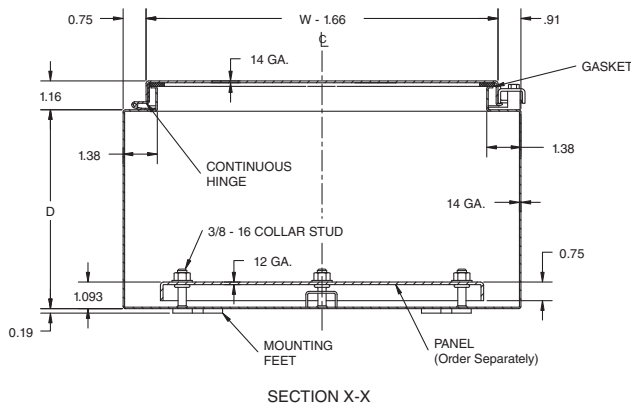
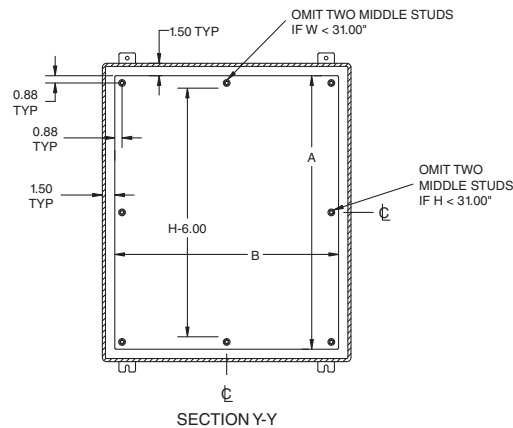
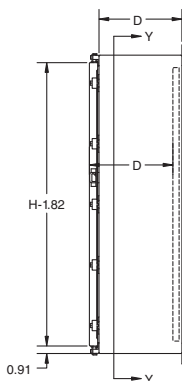
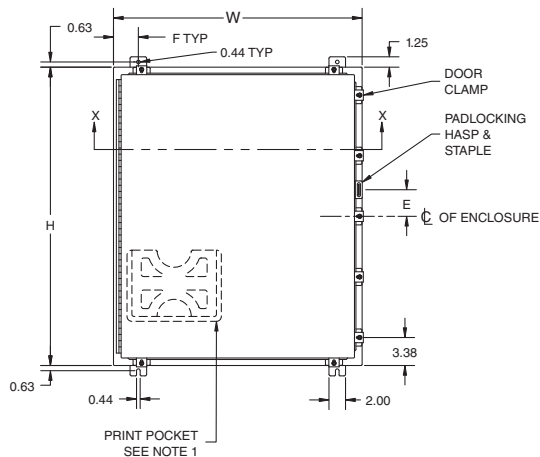
**Enclosures are supplied with closed cell neoprene gasket (not foam-in-place).

Continued on page D19

N4 SERIES SINGLE DOOR ENCLOSURES (CONT.)								
CATALOG NUMBER	BODY/DOOR STEEL GAUGE	ENCLOSURE SIZE H X W X D	BACK PANEL CATALOG NUMBER*		BACK PANEL SIZE A X B	STIFFENER		E
			WHITE	"G"		DOOR	BODY	
N4243008	14/14	24.00x30.00x8.00 (610x762x203)	NP3024	NP3024G	21.00x27.00 (533x686)	No	No	4.313 (110)
N4302008	14/14	30.00x20.00x8.00 (762x508x203)	NP3020	NP3020G	27.00x17.00 (686x432)	No	No	5.813 (148)
N4302408	14/14	30.00x24.00x8.00 (762x610x203)	NP3024	NP3024G	27.00x21.00 (686x533)	No	No	5.813 (148)
N4303008	14/14	30.00x30.00x8.00 (762x762x203)	NP3030	NP3030G	27.00x27.00 (686x686)	No	Yes	5.813 (148)
N4362408	14/14	36.00x24.00x8.00 (914x610x203)	NP3624	NP3624G	33.00x21.00 (838x533)	No	No	7.313 (186)
N4363008	14/14	36.00x30.00x8.00 (914x762x203)	NP3630	NP3630G	33.00x27.00 (838x686)	No	Yes	7.313 (186)
N4423008	14/14	42.00x30.00x8.00 (1067x762x203)	NP4230	NP4230G	39.00x27.00 (991x686)	No	Yes	—
N4423608	14/14	42.00x36.00x8.00 (1067x914x203)	NP4236	NP4236G	39.00x33.00 (991x838)	Yes	Yes	—
N4483608**	14/14	48.00x36.00x8.00 (1219x914x203)	NP4836	NP4836G	45.00x33.00 (1143x838)	Yes	Yes	—
N4603608**	14/14	60.00x36.00x8.00 (1524x914x203)	NP6036	NP6036G	57.00x33.00 (1448x838)	Yes	Yes	6.656 (169)
N4201610	14/14	20.00x16.00x10.00 (508x406x254)	NP2016	NP2016G	17.00x13.00 (432x330)	No	No	—
N4242010	14/14	24.00x20.00x10.00 (610x508x254)	NP2420	NP2420G	21.00x17.00 (533x432)	No	No	4.313 (110)
N4302410	14/14	30.00x24.00x10.00 (762x610x254)	NP3024	NP3024G	27.00x21.00 (686x533)	No	No	5.813 (148)
N4363010	14/14	36.00x30.00x10.00 (914x762x254)	NP3630	NP3630G	33.00x27.00 (838x686)	No	Yes	7.313 (186)
N4483010**	14/14	48.00x30.00x10.00 (1219x762x254)	NP4830	NP4830G	45.00x27.00 (1143x686)	Yes	Yes	—
N4483610**	14/14	48.00x36.00x10.00 (1219x914x254)	NP4836	NP4836G	45.00x33.00 (1143x838)	Yes	Yes	—
N4603610**	14/14	60.00x36.00x10.00 (1524x914x254)	NP6036	NP6036G	57.00x33.00 (1448x838)	Yes	Yes	6.656 (169)
N4302412	14/14	30.00x24.00x12.00 (762x610x305)	NP3024	NP3024G	27.00x21.00 (686x533)	No	No	5.813 (148)
N4363012	14/14	36.00x30.00x12.00 (914x762x305)	NP3630	NP3630G	33.00x27.00 (838x686)	No	Yes	7.313 (186)
N4483612**	14/14	48.00x36.00x12.00 (1219x914x305)	NP4836	NP4836G	45.00x33.00 (1143x838)	Yes	Yes	—
N4363016**	14/14	36.00x30.00x16.00 (914x762x406)	NP3630	NP3630G	33.00x27.00 (838x686)	No	Yes	7.313 (186)
N4483616**	14/14	48.00x36.00x16.00 (1219x914x406)	NP4836	NP4836G	45.00x33.00 (1143x838)	Yes	Yes	—
N4603616**	14/14	60.00x36.00x16.00 (1524x914x406)	NP6036	NP6036G	57.00x33.00 (1448x838)	Yes	Yes	6.656 (169)

*Back panels must be ordered separately.

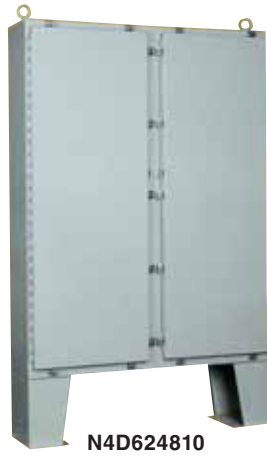
**Enclosures are supplied with closed cell neoprene gasket (not foam-in-place).



NOTES:

1. Large print pocket (8X10) is furnished if H = 20.00" or more and W = 20.00" or more. Otherwise small (6X6) print pocket is provided.
2. Panels are made from 12 Ga. steel.
3. Panels have flanges along all sides when either dimension exceeds 17".
4. The number of door clamps is dependent on size of enclosure. Clamps are furnished along three sides of door.
5. F = 3" when W is 16" or greater and 1-1/4" when W is 12" or less.

**N4D SERIES ENCLOSURES
NEMA 4 FLOOR-MOUNT**



Industry Standards

UL 508, Types 3, 4 & 12
CSA Certified, Type 3, 4 & 12
NEMA/EEMAC Types 3, 4 & 12

 UL File E64791

 CSA File LL66078

FEATURES-SPECIFICATIONS

Applications

Designed to house electrical and electronic controls, components, and instruments in wet non-corrosive environments. Typical applications for these enclosures include dairies, breweries, and other food processing activities that may require hose down. Enclosures are also suitable for outdoor applications.

Construction

- Bodies, doors, and floor stand feet are fabricated from 12 and 10 gauge steel
- Continuously welded seams ground smooth, less knockouts or holes
- X-type body stiffeners are added for extra strength

- Rolled lip around three sides of door and along top of enclosures opening excludes liquids and contaminants from entering
- Quick and easy to operate stainless steel door clamps around three sides of doors are provided
- Heavy gauge continuous hinges are provided to secure doors
- Doors are removable by pulling stainless steel continuous hinge pin
- Hasp and staple are provided for padlocking
- Print pocket is provided
- Standard 12" high floor kits are welded to bottom of enclosure
- Heavy duty removable lifting eyes

- Collar studs for mounting optional panels
- Easily removable center post permits easy panel installations
- Doors are sealed with poured in place polyurethane gasket
- Grounding provisions provided

Finish

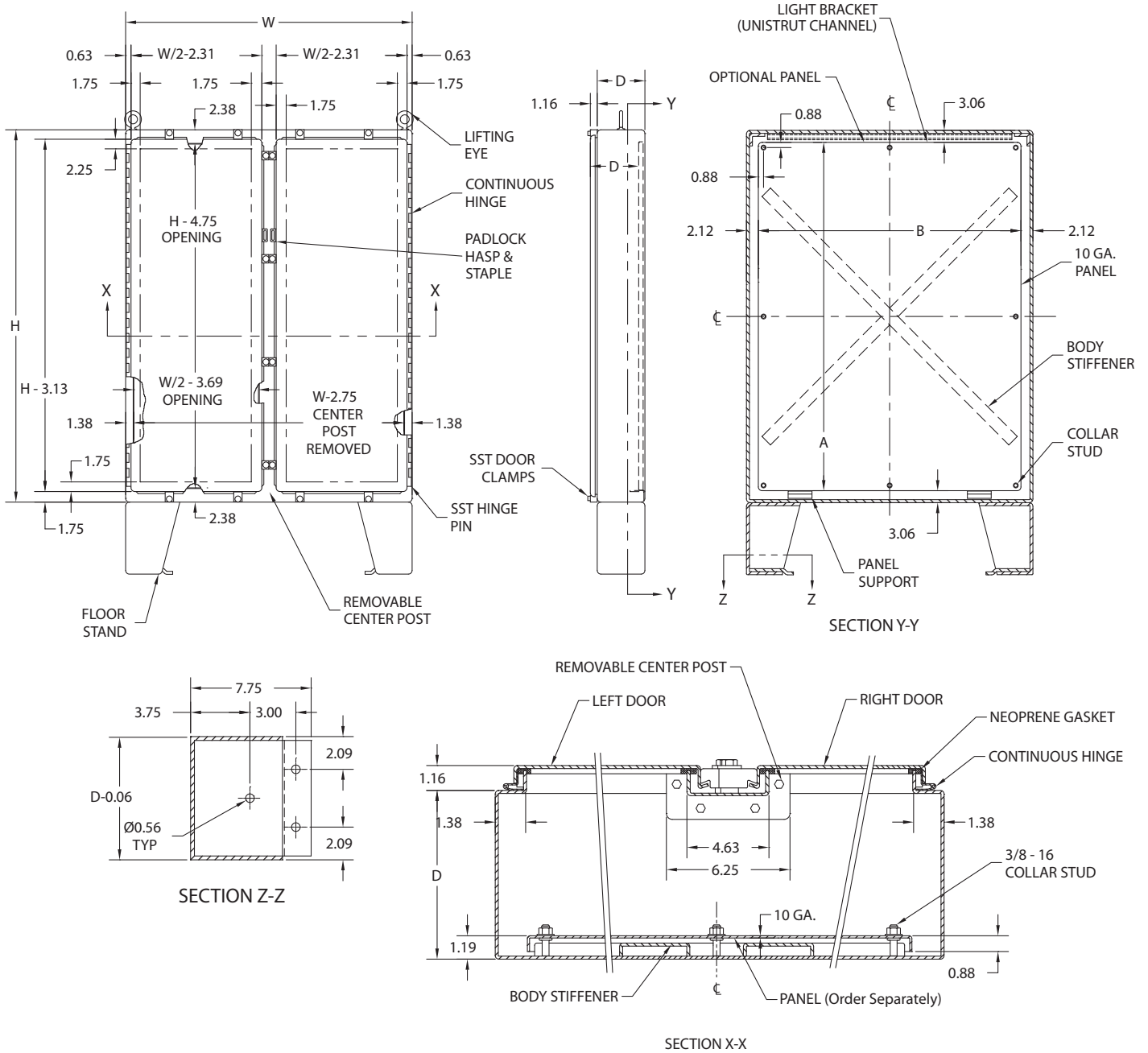
- ANSI-61 gray polyester powder inside and out
- **Optional** back panels are white polyester powder
- **Optional** "G" panels have a conductive finish (See page 17)

Accessories

- Back panels (reference tables)
- See pages J1-J22

N4D SERIES FLOOR-MOUNT ENCLOSURES					
CATALOG NUMBER	BODY/DOOR STEEL GAUGE	ENCLOSURE SIZE H X W X D	BACK PANEL CATALOG NUMBER*		BACK PANEL SIZE A X B
			WHITE	"G"	
N4D624810	12/12	62.12x48.12x10.12 (1578x1222x257)	NPDD6048	NPDD6048G	56.00x44.00 (1422x1118)
N4D626012	12/12	62.12x60.12x12.12 (1578x1527x308)	NPDD6060	NPDD6060G	56.00x56.00 (1422x1422)
N4D746012	12/12	74.12x60.12x12.12 (1883x1527x308)	NPDD7260	NPDD7260G	68.00x56.00 (1727x1422)
N4D747212	10/10	74.12x72.12x12.12 (1883x1832x308)	NPDD7272	NPDD7272G	68.00x68.00 (1727x1727)
N4D747224	10/10	74.12x72.12x24.12 (1883x1832x613)	NPDD7272	NPDD7272G	68.00x68.00 (1727x1727)

*Back panels must be ordered separately.



**N4S - FS SERIES ENCLOSURES
NEMA 4 SINGLE DOOR FREESTANDING**



N4S723724FS

Industry Standards

UL 508, Types 3, 4 & 12
CSA Certified, Type 3, 4 & 12
NEMA/EEMAC Types 3, 4 & 12

 UL File E64791

 CSA File LL66078

FEATURES-SPECIFICATIONS

Applications

Designed to house electrical and electronic controls, terminals, and instruments in areas that are regularly hosed down or are otherwise very wet. Also suitable for outdoor applications.

Construction

- Bodies and doors fabricated from 12 gauge steel
- Continuously welded seams ground smooth, less knockouts or holes
- "Uni-strut" mounting channels are welded horizontally to interior body sides, top, bottom and center
- **Optional** swing, half, full and rack panels can be mounted anywhere along "uni-strut" channel

- Rolled lip around three sides of door and along top of enclosures opening excludes liquids and contaminants from entering
- Quick and easy to operate stainless steel door clamps around three sides of doors
- Heavy gauge continuous hinge with stainless steel hinge pin
- Doors are removable by pulling stainless steel continuous hinge pin
- Hasp and staple are provided for padlocking
- Print pocket is provided
- Heavy duty removable lifting eyes

- Doors are sealed with poured in place polyurethane gasket
- Grounding provisions provided

Finish

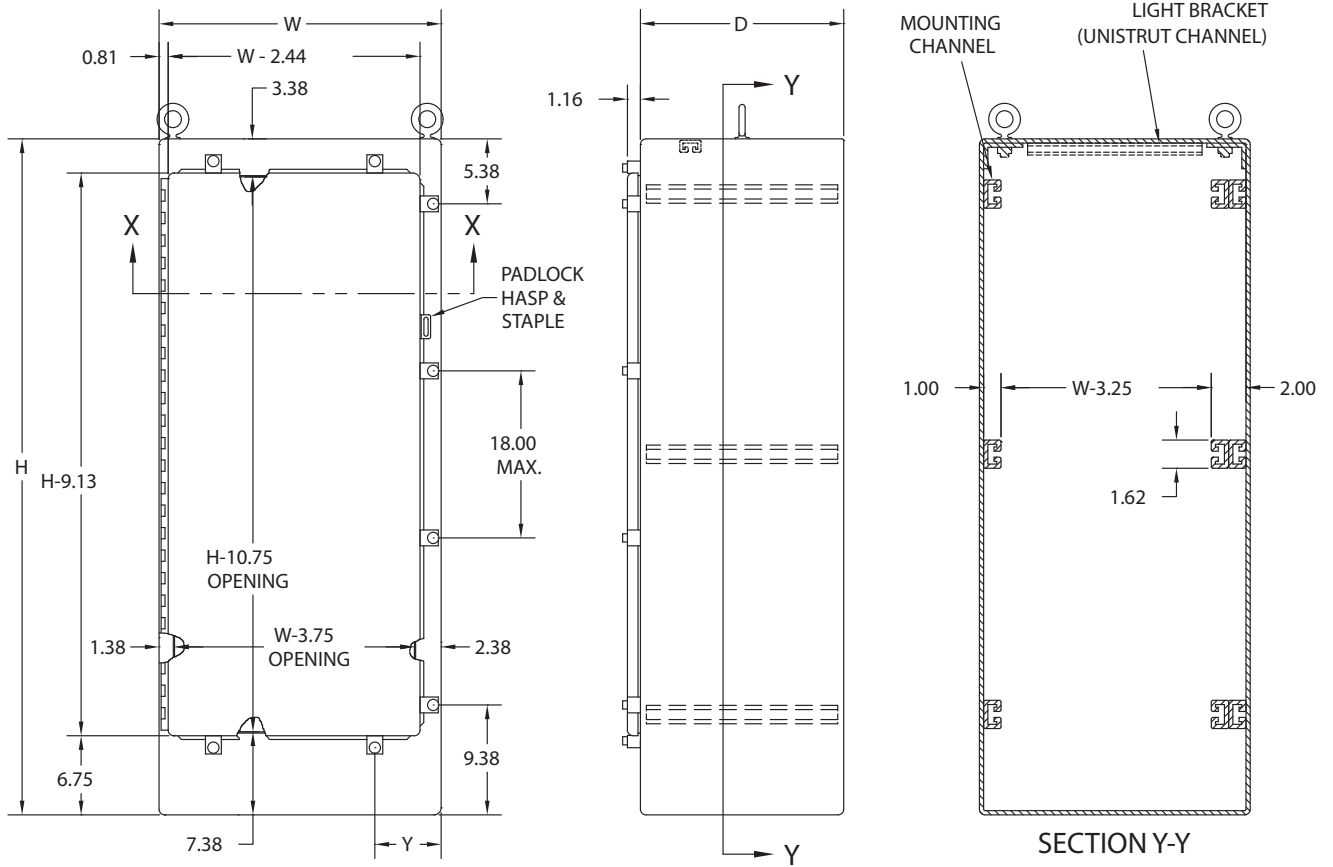
- ANSI-61 gray polyester powder inside and out
- **Optional** back panels are white polyester powder

Accessories

- Back panels (reference tables)
- See pages J1-J22

N4S-FS SERIES SINGLE DOOR ENCLOSURES				
CATALOG NUMBER	BODY/DOOR STEEL GAUGE	ENCLOSURE SIZE H X W X D	Y	BACK PANELS*
N4S722518FS	12/12	72.12x25.12x18.12 (1832x638x460)	6.38 (162)	See pages C30-C32 & I8-I13
N4S723124FS	12/12	72.12x31.12x24.12 (1832x790x613)	8.38 (213)	
N4S723724FS	12/12	72.12x37.12x24.12 (1832x943x613)	10.38 (264)	

*Back panels must be ordered separately.



N4D - 3PT SERIES ENCLOSURES NEMA 4 TWO DOOR FLOOR MOUNT



Industry Standards

UL 508, Types 3, 4 & 12
CSA Certified, Type 12
NEMA/EEMAC Types 3, 4 & 12

 UL File E64791

 CSA File LL66078

FEATURES-SPECIFICATIONS

Applications

Designed to house electrical and electronic controls, components, and instruments in wet non-corrosive environments. Typical applications for these enclosures include dairies, breweries and other food processing activities that may require hose down. Enclosures are also suitable for outdoor applications.

Construction

- Bodies and doors fabricated from 10 gauge steel
- Continuously welded seams ground smooth, less knockouts or holes
- Body stiffeners added for extra strength

- Rolled lip around three sides of door and along top of enclosures opening excludes liquids and contaminants from entering
- 3 PT Keylocking/Padlocking Combo Handle
- Heavy gauge continuous hinges are provided to secure doors
- Doors are removable by pulling stainless steel continuous hinge pin
- Removable print pocket is provided
- Standard 12" high floor kits are welded to bottom of enclosure
- Heavy duty removable lifting eyes
- Collar studs for mounting optional panels
- Easily removable center post permits easy panel installations

- Doors are sealed with poured in place polyurethane gasket
- Grounding provisions provided

Finish

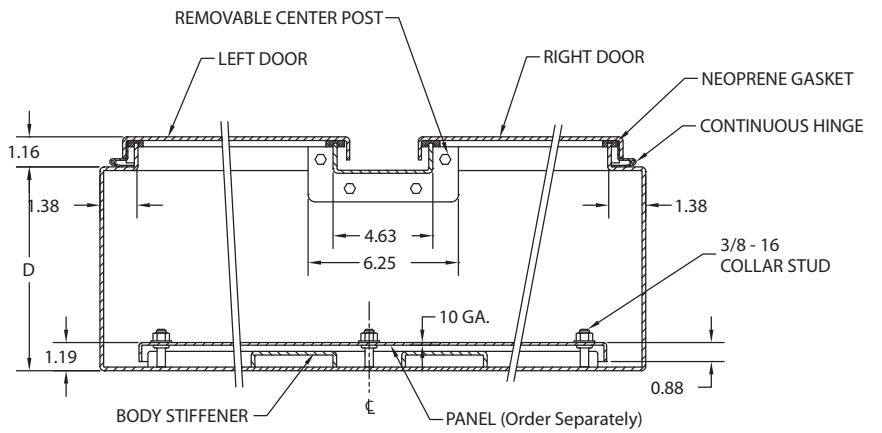
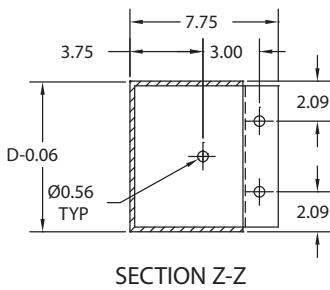
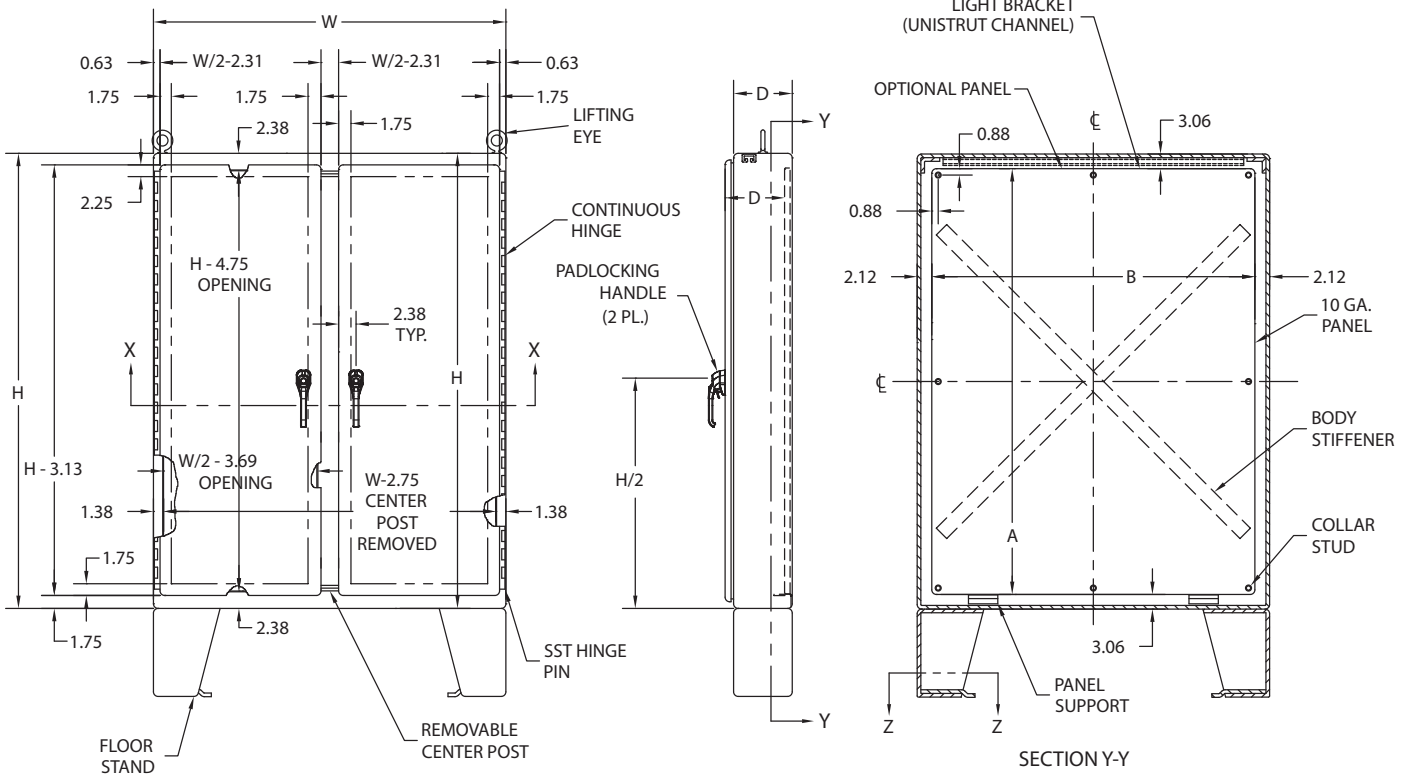
- ANSI-61 gray polyester powder inside and out
- **Optional** back panels are white polyester powder (See page I7)
- **Optional** "G" panels have a conductive finish (See page I7)

Accessories

- Back panels (reference tables)
- See pages J1-J22

N4D-3PT SERIES FLOOR-MOUNT ENCLOSURES					
CATALOG NUMBER	BODY/DOOR STEEL GAUGE	ENCLOSURE SIZE H X W X D	BACK PANEL CATALOG NUMBER*		BACK PANEL SIZE A X B
			WHITE	"G"	
N4D6248103PT	10/10	62.00x48.00x10.00 (1578x1222x257)	NPDD6048	NPDD6048G	56.00x44.00 (1422x1118)
N4D6260123PT	10/10	62.00x60.00x12.00 (1578x1527x308)	NPDD6060	NPDD6060G	56.00x56.00 (1422x1422)
N4D7460123PT	10/10	74.00x60.00x12.00 (1883x1527x308)	NPDD7260	NPDD7260G	68.00x56.00 (1727x1422)
N4D7472123PT	10/10	74.00x72.00x12.00 (1883x1832x308)	NPDD7272	NPDD7272G	68.00x68.00 (1727x1727)
N4D7472243PT	10/10	74.00x72.00x24.00 (1883x1832x613)	NPDD7272	NPDD7272G	68.00x68.00 (1727x1727)

*Back panels must be ordered separately.





Industry Standards

UL 508, Types 3, 4 & 12
CSA Certified, Type 3 & 12
NEMA/EEMAC Types 3, 4 & 12

UL File E64791

CSA File LL66078

FEATURES-SPECIFICATIONS

Applications

Designed to house electrical and electronic controls, terminals, and instruments in areas that are regularly hosed down or are otherwise very wet. Enclosures are also suitable for outdoor applications.

Construction

- Bodies and doors fabricated from 12 gauge steel
- Continuously welded seams ground smooth, less knockouts or holes
- “Uni-strut” mounting channels are welded horizontally to interior body sides, top, bottom and center

- Optional swing, half, full and rack panels can be mounted anywhere along “uni-strut” channel
- Rolled lip around three sides of door and along top of enclosures opening excludes liquids and contaminants from entering
- 3 PT Keylocking/Padlocking Combo Handle
- Heavy gauge continuous hinge with stainless steel hinge pin
- Doors are removable by pulling stainless steel continuous hinge pin
- Removable print pocket is provided
- Heavy duty removable lifting eyes

- Doors are sealed with poured in place polyurethane gasket
- Grounding provisions provided

Finish

- ANSI-61 gray polyester powder inside and out
- Optional back panels are white polyester powder (See pages I8-I13)
- Optional “G” panels have a conductive finish (See pages I8-I13)

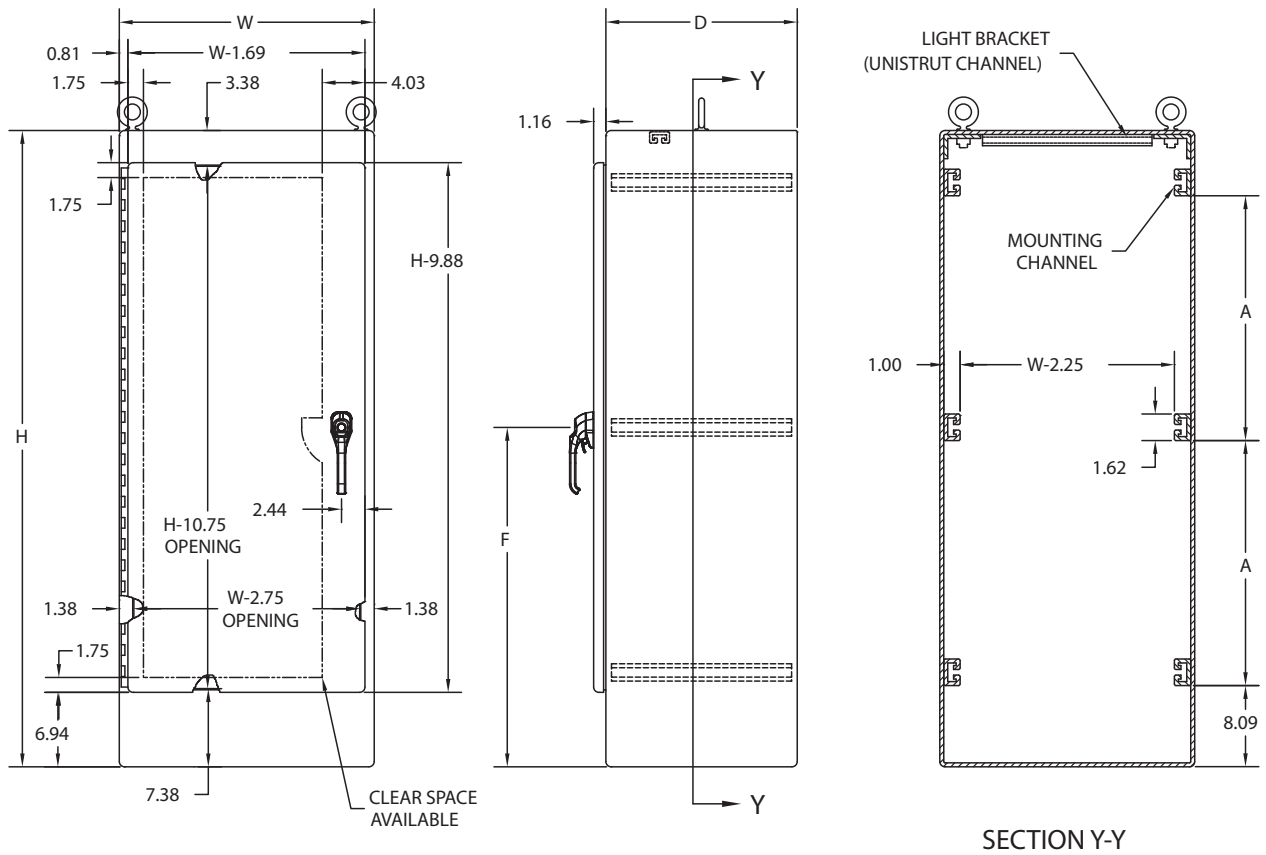
Accessories

- Back panels (reference tables)
- See pages J1-J22

WA-FSN43PT SERIES ENCLOSURES NEMA 4 TWO DOOR FLOOR MOUNT						
CATALOG NUMBER	ENCLOSURE SIZE H X W X D	BACK PANEL CATALOG NUMBER*		BACK PANEL SIZE	A	F
		WHITE	“G”			
WA602418FSN43PT	62.00x28.00x18.00 (1578X711X457)	WA60P24F1	WA60P24F1G	48.00X20.00 (1219x508)	23.13 (588)	32.06 (814)
WA603624FSN43PT	62.00x36.00x24.00 (1578X914X610)	WA60P36F1	WA60P36F1G	48.00X32.00 (1219x813)	23.13 (588)	32.06 (814)
WA722418FSN43PT	72.00x24.00x18.00 (1829X610X457)	WA72P24F1	WA72P24F1G	60.00X20.00 (1524x508)	29.13 (740)	38.06 (967)
WA722424FSN43PT	72.00x24.00x24.00 (1829X610X610)	WA72P24F1	WA72P24F1G	60.00X20.00 (1524x508)	29.13 (740)	38.06 (967)
WA723018FSN43PT	72.00x30.00x18.00 (1829X762X457)	WA72P30F1	WA72P30F1G	60.00X26.00 (1524x660)	29.13 (740)	38.06 (967)
WA723024FSN43PT	72.00x30.00x24.00 (1829X762X610)	WA72P30F1	WA72P30F1G	60.00X26.00 (1524x660)	29.13 (740)	38.06 (967)
WA723618FSN43PT	72.00x36.00x18.00 (1829X914X457)	WA72P36F1	WA72P36F1G	60.00X32.00 (1524x813)	29.13 (740)	38.06 (967)
WA723624FSN43PT	72.00x36.00x24.00 (1829X914X610)	WA72P36F1	WA72P36F1G	60.00X32.00 (1524x813)	29.13 (740)	38.06 (967)
WA723630FSN43PT	72.00x36.00x30.00 (1829X914X762)	WA72P36F1	WA72P36F1G	60.00X32.00 (1524x813)	29.13 (740)	38.06 (967)
WA723636FSN43PT	72.00x36.00x36.00 (1829X914X914)	WA72P36F1	WA72P36F1G	60.00X32.00 (1524x813)	29.13 (740)	38.06 (967)
WA902420FSN43PT**	90.00x24.00x20.00 (2286X610X508)	WA90P24F1	WA90P24F1G	78.00X20.00 (1981x508)	38.13 (969)	47.06 (1195)
WA903620FSN43PT**	90.00x36.00x20.00 (2286X914X508)	WA90P36F1	WA90P36F1G	78.00X32.00 (1981x813)	38.13 (969)	47.06 (1195)
WA903624FSN43PT**	90.00x36.00x24.00 (2286X914X610)	WA90P36F1	WA90P36F1G	78.00X32.00 (1981x813)	38.13 (969)	47.06 (1195)
WA903636FSN43PT**	90.00x36.00x36.00 (2286X914X914)	WA90P36F1	WA90P36F1G	78.00X32.00 (1981x813)	38.13 (969)	47.06 (1195)

*Back panels must be ordered separately.

**UL pending on 90" tall cabinets.



Section E Index

PBSS Series

NEMA 4X, 12 & 13 (30.5mm) Pushbutton
Wall-Mount.....E2

PBXD-SS Series

NEMA 4X, 12 & 13 (30.5mm) Pushbutton
Wall-Mount.....E4

BN4-SS Series

NEMA 4X JIC Clamp Cover Wall-Mount ..E6

BN4-CHSS Series

NEMA 4X JIC Continuous Hinge
Wall-Mount.....E8

BN4-AL Series

NEMA 4X Lift-Off Cover Wall-MountE10

BN4-CHAL Series

NEMA 4X JIC Continuous Hinge
Wall-Mount.....E12

WC-CSS Series

NEMA 12 Consolet Single Door.....E14

N412-SSC ULTIMATE Series

NEMA 4X Single Door Wall-Mount.....E16

N412-WSSC ULTIMATE Series

NEMA 4X Single Door With
Window Wall-Mount.....E19

N412-SS3PTC ULTIMATE Series

NEMA 4X Single Door Wall-Mount.....E21

N412-CSSST ULTIMATE Series

NEMA 4X Slope Top Single Door.....E24

SSN4-WF3PT Series

NEMA 4X Two Door Wall-MountE26

SSN4 Series

NEMA 4X Single Door Wall-Mount.....E28

ALN4 Series

NEMA 4X Single Door Wall-Mount.....E30

SSN4-3PT Series

NEMA 4X Single Door Wall-Mount.....E32

SSN4-3PTW Series

NEMA 4X Painted White Single Door
Wall-MountE34

SSN4D Series

NEMA 4X Two Door Floor-Mount.....E36

N4S-FSSS/FSSSA/FSDSS Series

NEMA 4X Single Door FreestandingE38

SSN4D-3PT Series

NEMA 4X Two Door Floor-Mount.....E40

WA-SSFSN43PT Series

NEMA 4X Single Door FreestandingE42

WA-SSFSDN43PT Series

NEMA 4X Two Door Freestanding.....E44

Non-Metallic

EnclosuresE50
AccessoriesE77

STAINLESS STEEL AND NON-METALLIC ENCLOSURES



**PBSS SERIES ENCLOSURES
NEMA 12, 4 & 4X (30.5MM) PUSHBUTTON WALL-MOUNT**



PBSS3

Industry Standards

UL 508, Types 4, 4X, 12 & 13
CSA Certified, Type 4, 4X & 12
NEMA/EEMAC Type 4, 4X, 12 & 13

 UL File E64791

 CSA File LL66078

FEATURES-SPECIFICATIONS

Applications

Designed to hold all standard brands of pushbuttons, switches and pilot lights. Provide protection from dust, dirt, oil and water. PBSS Series designed for areas where serious corrosion problems exist.

Construction

- Bodies and doors fabricated from 14 gauge 304 or 316L stainless steel
- Continuously welded seams ground smooth
- Closed cell oil resistant neoprene gasket

- External mounting plates, top and bottom of enclosure
- Captivated cover screws thread into sealed wells
- Standard "4-way" pushbutton holes accept all brands of oil-tight push buttons, switches and pilot lights
- Enclosures 9.50" x 6.25" x 3.00" and larger have internal detachable hinges to hold cover open during wiring, yet permit quick removal
- Grounding provisions provided

Finish

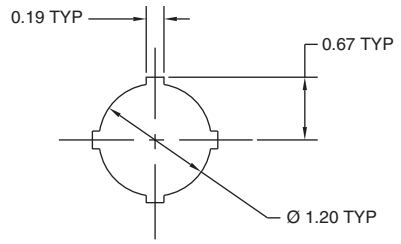
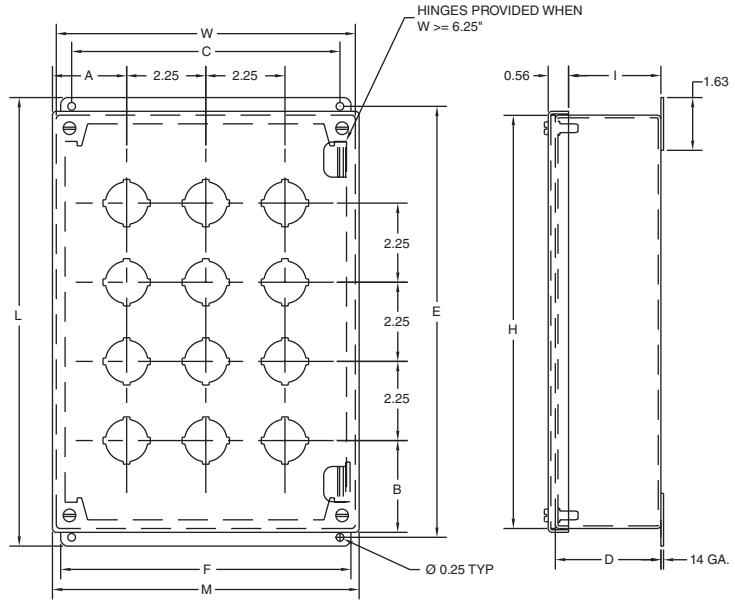
- Cover and outside of enclosure have a smooth grained finish

Accessories

- See pages H16-H27 for Painted Gray PB Series
- See page J4 for hole seals

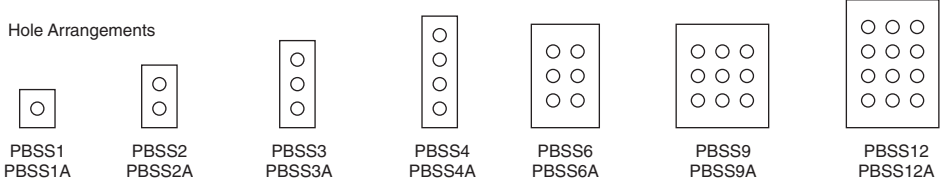
PBSS SERIES (30.5MM) PUSHBUTTON ENCLOSURES									
CATALOG NUMBER		BODY/DOOR STEEL GAUGE	ENCLOSURE SIZE H X W X D	MOUNTING C X E	OVERALL L X M	F	I	A	B
304 SS	316L SS								
PBSS1	PBSS1A	14/14	3.50x3.25x2.81 (89x83x71)	2.38x4.00 (60x102)	4.50x3.56 (114x90)	3.00 (76)	2.41 (61)	1.78 (45)	1.88 (48)
PBSS2	PBSS2A	14/14	5.75x3.25x2.81 (146x83x71)	2.38x6.25 (60x159)	6.75x3.56 (171x90)	3.00 (76)	2.41 (61)	1.78 (45)	1.88 (48)
PBSS3	PBSS3A	14/14	8.00x3.25x2.81 (203x83x71)	2.38x8.50 (60x216)	9.00x3.56 (229x90)	3.00 (76)	2.41 (61)	1.78 (45)	1.88 (48)
PBSS4	PBSS4A	14/14	10.25x3.25x2.81 (260x83x71)	2.38x10.75 (60x273)	11.25x3.56 (286x90)	3.00 (76)	2.41 (61)	1.78 (45)	1.88 (48)
PBSS6	PBSS6A	14/14	9.50x6.25x3.09 (241x159x79)	5.38x10.00 (137x254)	10.50x6.56 (267x167)	6.00 (152)	2.69 (68)	2.16 (55)	2.63 (67)
PBSS9	PBSS9A	14/14	9.50x8.50x3.09 (241x216x79)	7.63x10.00 (194x254)	10.50x8.81 (267x224)	8.25 (210)	2.69 (68)	2.16 (55)	2.63 (67)
PBSS12	PBSS12A	14/14	11.75x8.50x3.09 (298x216x79)	7.63x12.25 (194x311)	12.75x8.81 (324x224)	8.25 (210)	2.69 (68)	2.16 (55)	2.63 (67)

**PBSS SERIES ENCLOSURES
NEMA 12, 4 & 4X (30.5MM) PUSHBUTTON WALL-MOUNT**



Standard 4-Way Pushbutton

Hole Arrangements



**PBXD - SS SERIES ENCLOSURES
NEMA 4, 4X, 12 & 13 (30.5MM) PUSHBUTTON WALL-MOUNT**



PBXD3SS

Industry Standards

UL 508, Types 4, 4X, 12 & 13
CSA Certified, Type 4, 4X & 12
NEMA/EEMAC Type 4, 4X, 12 & 13
JIC EL-1-71

 UL File E64791

 CSA File LL66078

FEATURES-SPECIFICATIONS

Applications

Designed to hold 30.5mm oil-tight pushbuttons, switches, and pilot lights. Provide protection against dirt, dust, oil, and water. Extra deep design accommodates additional contact blocks for pushbuttons.

Construction

- Bodies and doors fabricated from 14 gauge 304 stainless steel
- Continuously welded seams ground smooth
- Closed cell oil resistant neoprene gasket

- External mounting plates, top and bottom of enclosure
- Captivated cover screws thread into sealed wells
- Standard "4-way" pushbuttons holes accept all brands of oil-tight push buttons, switches and pilot lights
- 6.00" x 4.00" x 4.75" and larger have internal detachable hinges to hold cover open during wiring, yet permit quick removal
- Grounding provisions provided

Finish

- Cover and outside of enclosure have a smooth grained finish

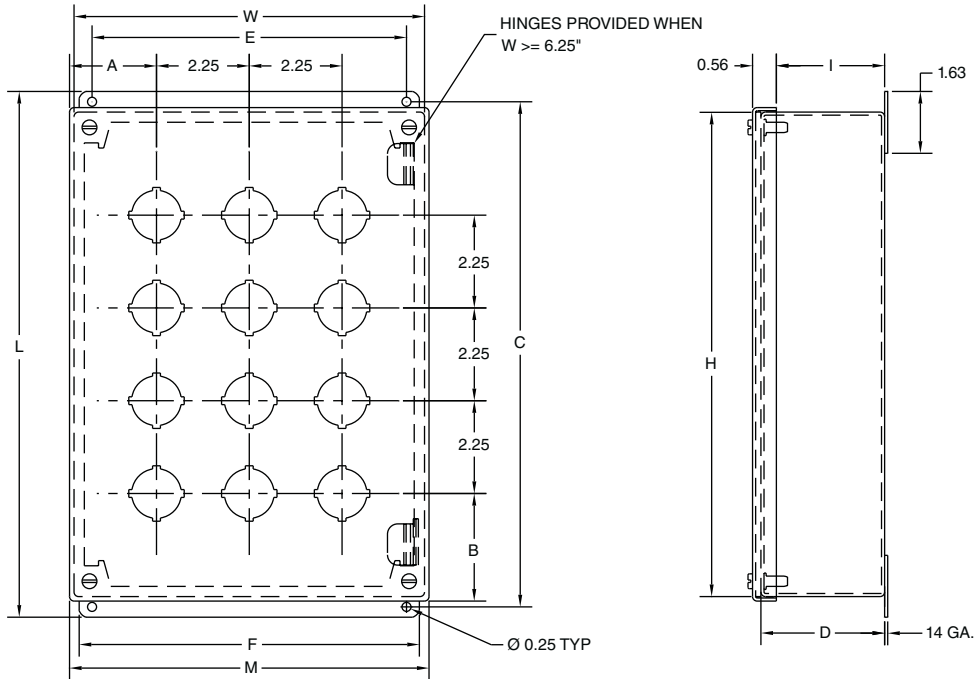
Accessories

- See pages H16-H27 for Painted Pushbutton enclosures
- See page J4 for hole seals

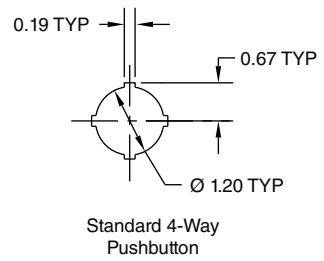
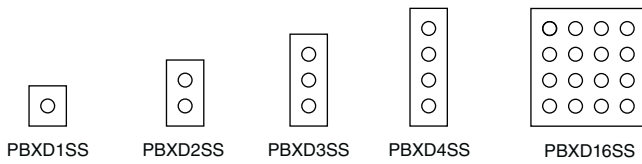
PBXD-SS SERIES STAINLESS PUSHBUTTON ENCLOSURES									
CATALOG NUMBER	BODY/DOOR STEEL GAUGE	ENCLOSURE SIZE H X W X D	MOUNTING E X C	OVERALL L X M	F	I	A	B	
PBXD1SS	14/14	4.00x4.00x4.81 (102x102x122)	3.13x4.50 (79x114)	5.00x4.31 (127x110)	3.75 (95)	4.41 (112)	2.19 (56)	2.16 (55)	
PBXD2SS	14/14	6.00x4.00x4.81 (152x102x122)	3.13x6.50 (79x165)	7.00x4.31 (178x110)	3.75 (95)	4.41 (112)	2.19 (56)	2.03 (52)	
PBXD3SS	14/14	8.00x4.00x4.81 (203x102x122)	3.13x8.50 (79x216)	9.00x4.31 (229x110)	3.75 (95)	4.41 (112)	2.19 (56)	1.97 (50)	
PBXD4SS	14/14	10.00x4.00x4.81 (254x102x122)	3.13x10.50 (79x267)	11.00x4.31 (279x110)	3.75 (95)	4.41 (112)	2.19 (56)	1.78 (45)	
PBXD16SS	14/14	11.75x10.75x4.81 (298x273x122)	9.88x12.25 (251x311)	12.75x11.06 (324x281)	11.50 (292)	4.41 (112)	2.19 (56)	2.61 (66)	

**PBXD - SS SERIES ENCLOSURES
NEMA 12 & 13 (30.5MM) PUSHBUTTON WALL-MOUNT**

E5



PBXD Hole Arrangements



**BN4 - SS SERIES ENCLOSURES
NEMA 4X JIC CLAMP COVER WALL-MOUNT**


BN4060604SS

Industry Standards

 UL 50, Types 4, 4X, 12 & 13
(6 X 6 X 4 & above)

 UL 508, Types 4, 4X, 12 & 13 (6 X 4 X
3 & smaller)

CSA Certified, Types 4 & 12

NEMA/EEMAC Type 4, 4X, 12 & 13

JIC EL-1-71

UL Files E23553, E64791

CSA File LL66078

FEATURES-SPECIFICATIONS
Applications

Provides unmatched protection for housing electrical components in highly corrosive environments. This enclosure is used in indoor and outdoor settings that are frequently wet or have constant exposure to water, other liquids, or contaminants.

Construction

- Bodies and doors fabricated from 16 gauge type 304 or 316L stainless steel
- Continuously welded seams ground smooth, less knockouts or holes

- Sealed with poured in place polyurethane gasket
- External mounting plates, top and bottom of enclosure
- Weldnuts are provided on models 6.00" x 4.00" and larger to secure optional panel
- Stainless steel screws and clamps on four sides of cover assure watertight seal
- Grounding provisions provided
- Optional panels and terminal kits must be ordered separately

Finish

- Cover and outside of enclosure have a smooth grained finish
- Optional back panels are white polyester powder or grained finish stainless steel
- Optional "G" panels have a conductive finish (See page I2)

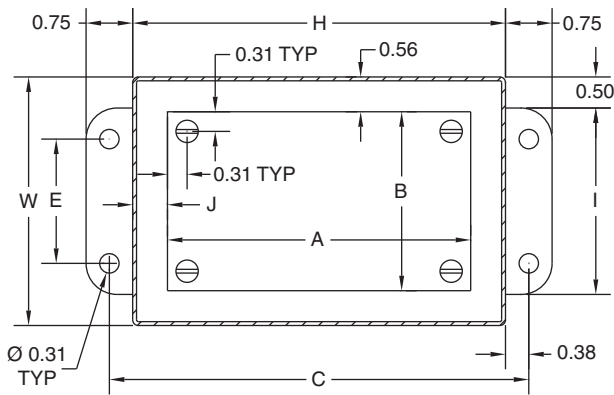
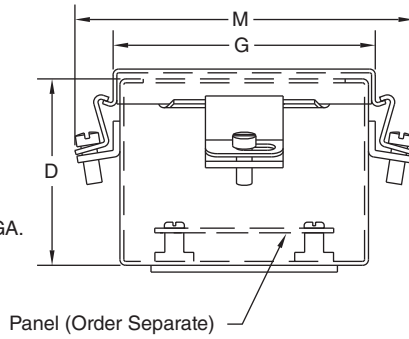
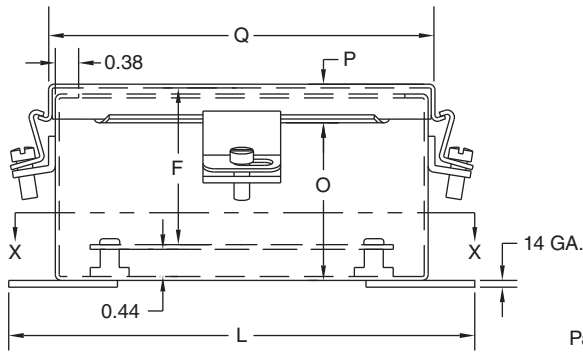
Accessories

- Back panels (reference tables)
- See pages J1-J22

BN4-SS SERIES JIC CLAMP COVER STAINLESS ENCLOSURES																	
CATALOG NUMBER		ENCLOSURE SIZE H X W X D	BACK PANEL CATALOG NUMBER*			BACK PANEL SIZE A X B	MOUNTING C X E	OVERALL L X M	F	G	I	J	K	N	O	P	Q
304 SS	316L SS		WHITE	304 SS	"G"												
BN4040403SS	BN4040403SSA	4.00x4.00x3.00 (102x102x76)	—	—	—	—	4.75x2.00 (121x51)	5.50x5.63 (140x143)	2.53 (64)	4.31 (109)	3.00 (76)	—	1.38 (35)	1.38 (35)	2.53 (64)	0.63 (16)	4.31 (110)
BN4060403SS	BN4060403SSA	6.00x4.00x3.00 (152x102x76)	P0604	P0604SS	P0604G	4.88x2.88 (124x73)	6.75x2.00 (171x51)	7.50x5.63 (191x143)	2.53 (64)	4.31 (109)	3.00 (76)	0.56 (14)	1.38 (35)	2.38 (60)	2.53 (64)	0.63 (16)	6.31 (160)
BN4060604SS	BN4060604SSA	6.00x6.00x4.00 (152x152x102)	P0606	P0606SS	P0606G	4.88x4.88 (124x124)	6.75x4.00 (171x102)	7.50x7.63 (191x194)	3.53 (90)	6.31 (160)	5.00 (127)	0.56 (14)	2.38 (60)	2.38 (60)	3.53 (90)	0.63 (16)	6.31 (160)
BN4080604SS	BN4080604SSA	8.00x6.00x4.00 (203x152x102)	P0806	P0806SS	P0806G	6.88x4.88 (175x124)	8.75x4.00 (222x102)	9.50x7.63 (241x194)	3.53 (90)	6.31 (160)	5.00 (127)	0.56 (14)	2.38 (60)	3.38 (86)	3.53 (90)	0.63 (16)	8.31 (211)
BN4100804SS	BN4100804SSA	10.00x8.00x4.00 (254x203x102)	P1008	P1008SS	P1008G	8.88x6.88 (226x175)	10.75x6.00 (273x152)	11.50x9.63 (292x244)	3.53 (90)	8.31 (211)	7.00 (178)	0.56 (14)	3.38 (86)	1.50 (38)	3.53 (90)	0.63 (16)	10.31 (262)
BN4121005SS	BN4121005SSA	12.00x10.00x5.00 (305x254x127)	P1210	P1210SS	P1210G	10.88x8.88 (276x226)	12.75x8.00 (324x203)	13.50x11.63 (343x295)	4.53 (115)	10.31 (262)	9.00 (229)	0.56 (14)	2.00 (51)	3.00 (76)	4.53 (115)	0.63 (16)	12.31 (313)
BN4141206SS	BN4141206SSA	14.00x12.00x6.00 (356x305x152)	P1412	P1412SS	P1412G	12.88x10.88 (327x276)	14.75x10.00 (375x254)	15.50x13.63 (394x346)	5.53 (141)	12.31 (313)	11.00 (279)	0.56 (14)	2.00 (51)	3.00 (76)	5.53 (141)	0.63 (16)	14.31 (364)
BN4161406SS	BN4161406SSA	16.00x14.00x6.00 (406x356x152)	P1614	P1614SS	P1614G	14.88x12.88 (378x327)	16.75x12.00 (425x305)	17.50x15.63 (445x397)	5.53 (141)	14.31 (363)	13.00 (330)	0.56 (14)	3.50 (89)	1.50 (38)	5.53 (141)	0.63 (16)	16.31 (414)

*Back panels must be ordered separately.

**BN4 - SS SERIES ENCLOSURES
NEMA 4X JIC CLAMP COVER WALL-MOUNT**

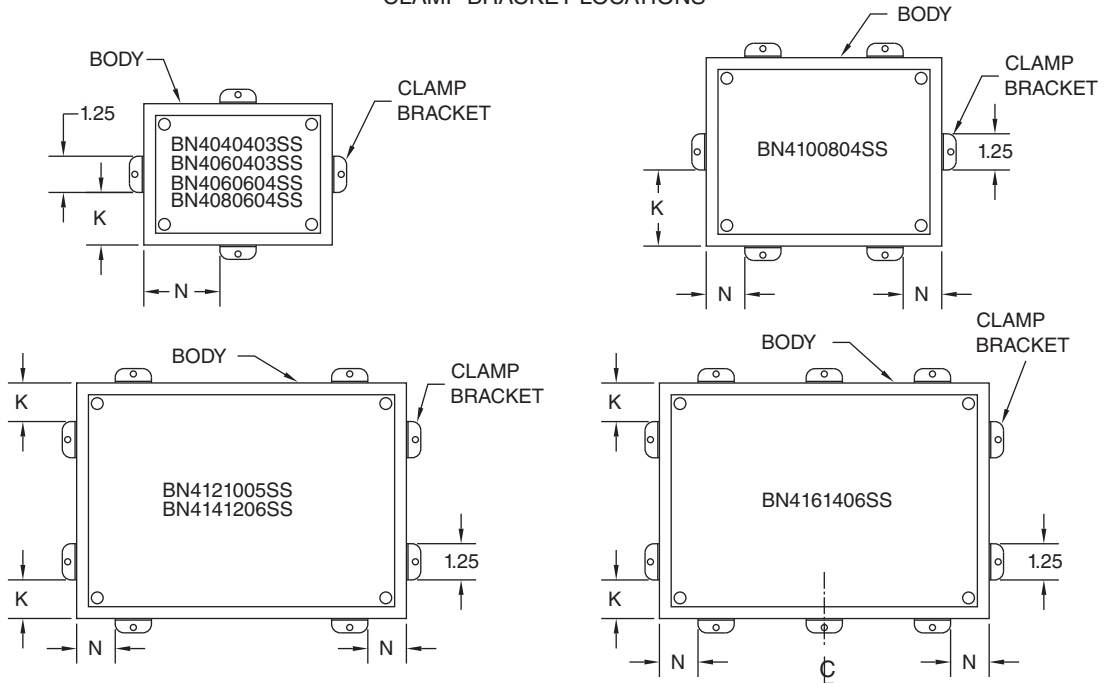


SECTION X-X

Notes:

1. Panels are 14 Ga. steel.
2. Panel Screws are #10-32 Pan Head.

CLAMP BRACKET LOCATIONS



**BN4 - CHSS SERIES ENCLOSURES
NEMA 4X JIC CONTINUOUS HINGE WALL-MOUNT**


BN414206CHSS

Industry Standards

UL 50, Types 4, 4X, 12 & 13
CSA Certified, Types 4 & 12
NEMA/EEMAC Type 4, 4X, 12 & 13
JIC EL-1-71

 UL File E6924, E64791

 CSA File LL66078

FEATURES-SPECIFICATIONS
Applications

Provides unmatched protection for housing electrical components in highly corrosive environments. This enclosure is used in indoor and outdoor settings that are frequently wet or have constant exposure to water, other liquids, or contaminants.

Construction

- Bodies and doors fabricated from 16 gauge type 304 stainless steel or 16 gauge type 316L stainless steel
- Suffix "A" = 16 gauge type 316L stainless steel
- Continuously welded seams ground smooth, less knockouts or holes

- Sealed with poured in place polyurethane gasket
- External mounting feet
- Weldnuts are provided on models 6.00" x 4.00" and larger to secure optional back panel
- Stainless steel screws and clamps, equal to enclosure construction, on three sides of cover assure watertight seal
- Door removed by pulling stainless steel continuous hinge pin
- Grounding provisions provided
- Optional panels and terminal kits must be ordered separately

Finish

- Cover and outside of enclosure have a smooth grained finish
- Optional back panels are offered in a white polyester powder, grained finish stainless steel or with a conductive finish (See page I2)
- Optional "G" panels have a conductive finish (See page I2)

Accessories

- Back panels (reference tables)
- See pages J1-J22

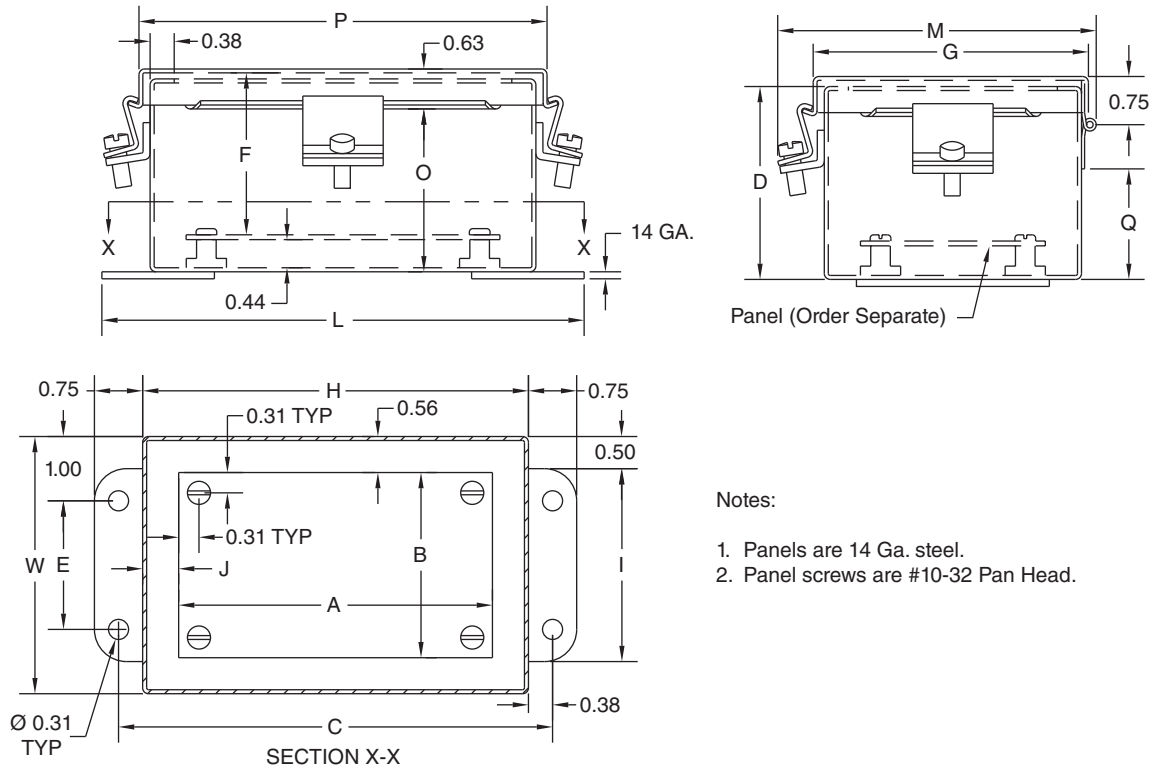
BN4-CHSS SERIES JIC CONTINUOUS HINGE STAINLESS ENCLOSURES

CATALOG NUMBER	ENCLOSURE SIZE H X W X D	BACK PANEL CATALOG NUMBER*		BACK PANEL SIZE A X B	MOUNTING C X E	OVERALL L x M	F	G	I	J	K	N	O	P	Q
		WHITE / 304 SS	"G"												
BN4060404CHSS BN4060404CHSSA	6.00x4.00x4.00 (152x102x102)	P0604 P0604SS	P0604G —	4.88x2.88 (124x73)	6.75x2.00 (171x51)	7.50x5.00 (191x127)	3.53 (90)	4.31 (109)	3.00 (76)	0.56 (14)	1.38 (35)	2.38 (60)	3.53 (90)	6.31 (160)	2.78 (71)
BN4060604CHSS BN4060604CHSSA	6.00x6.00x4.00 (152x152x102)	P0606 P0606SS	P0606G —	4.88x4.88 (124x124)	6.75x4.00 (171x102)	7.50x7.00 (191x178)	3.53 (90)	6.31 (160)	5.00 (127)	0.56 (14)	2.38 (60)	2.38 (60)	3.53 (90)	6.31 (160)	2.78 (71)
BN4080604CHSS BN4080604CHSSA	8.00x6.00x4.00 (203x152x102)	P0806 P0806SS	P0806G —	6.88x4.88 (175x124)	8.75x4.00 (222x102)	9.50x7.00 (241x178)	3.53 (90)	6.31 (160)	5.00 (127)	0.56 (14)	2.38 (60)	3.38 (86)	3.53 (90)	8.31 (211)	2.78 (71)
BN4100804CHSS BN4100804CHSSA	10.00x8.00x4.00 (254x203x102)	P1008 P1008SS	P1008G —	8.88x6.88 (226x175)	10.75x6.00 (273x152)	11.50x9.00 (292x229)	3.53 (90)	8.31 (211)	7.00 (178)	0.56 (14)	3.38 (86)	1.50 (38)	3.53 (90)	10.31 (262)	2.78 (71)
BN4121006CHSS BN4121006CHSSA	12.00x10.00x6.00 (305x254x152)	P1210 P1210SS	P1210G —	10.88x8.88 (276x226)	12.75x8.00 (324x203)	13.50x11.00 (343x279)	5.53 (141)	10.31 (262)	9.00 (229)	0.56 (14)	2.00 (51)	3.00 (76)	5.53 (141)	12.31 (313)	4.78 (121)
BN4121206CHSS BN4121206CHSSA	12.00x12.00x6.00 (305x305x152)	P1212 P1212SS	P1212G —	10.88x10.88 (276x276)	12.75x10.00 (324x254)	13.50x13.00 (343x330)	5.53 (141)	12.31 (313)	11.00 (279)	0.56 (14)	2.50 (64)	2.50 (64)	5.53 (141)	12.31 (313)	4.78 (121)
BN4141206CHSS BN4141206CHSSA	14.00x12.00x6.00 (356x305x152)	P1412 P1412SS	P1412G —	12.88x10.88 (327x276)	14.75x10.00 (375x254)	15.50x13.00 (394x330)	5.53 (141)	12.31 (313)	11.00 (279)	0.56 (14)	2.00 (51)	3.00 (76)	5.53 (141)	14.31 (364)	4.78 (121)
BN4161406CHSS BN4161406CHSSA	16.00x14.00x6.00 (406x356x152)	P1614 P1614SS	P1614G —	14.88x12.88 (378x327)	16.75x12.00 (425x305)	17.50x15.00 (445x381)	5.53 (141)	14.31 (363)	13.00 (330)	0.56 (14)	3.50 (89)	1.50 (38)	5.53 (141)	16.31 (414)	4.78 (121)

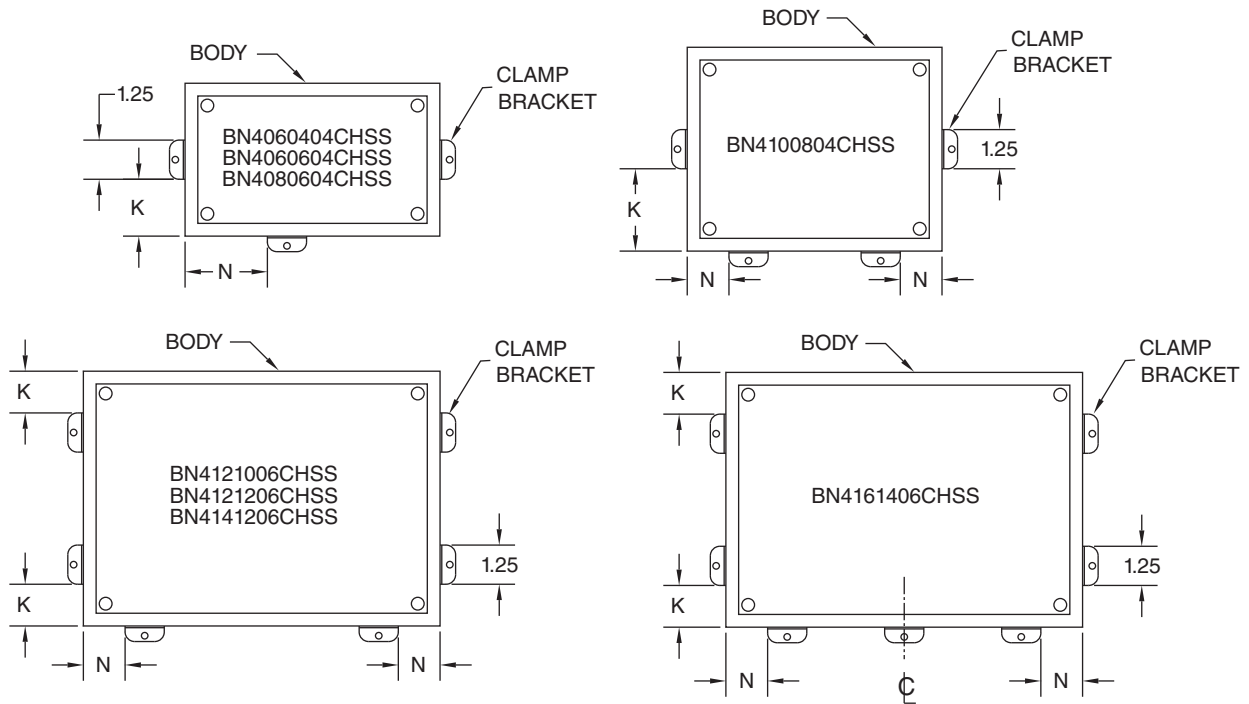
*Back panels must be ordered separately.

In order to purchase conductive panels, please add a "G" suffix to the white panel part numbers.

**BN4 - CHSS SERIES ENCLOSURES
NEMA 4X JIC CONTINUOUS HINGE WALL-MOUNT**



CLAMP BRACKET LOCATIONS



**BN4 - AL SERIES ENCLOSURES
NEMA 4 LIFT OFF COVER WALL-MOUNT**


BN4060604AL

Industry Standards

UL 50, Types 4, 4X, 12 & 13
CSA Certified, Types 4 & 12
NEMA/EEMAC Type 4, 4X, 12 & 13
JIC EL-1-71

 UL File E6924, E23553

 CSA File LL66078

FEATURES-SPECIFICATIONS
Applications

Designed as an instrument housing or junction box for electrical, electronic, or pneumatic components. It is ideal for applications where a lightweight, corrosion resistant enclosure is required.

Construction

- Bodies and doors fabricated from .080-inch thick (2 millimeters) 5052-H32 aluminum
- Continuously welded seams ground smooth, less holes or knockouts

- Closed cell oil resistant neoprene gasket
- External mounting plate, top and bottom of enclosure
- Weldnuts are provided on Models 6.00" x 4.00" and larger to secure optional panel
- Stainless steel screws and clamps on four sides of cover to assure water tight seal
- Optional panels and terminal kits must be ordered separately
- Grounding provisions provided

Finish

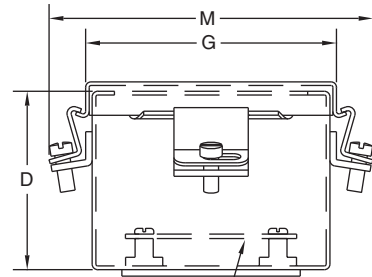
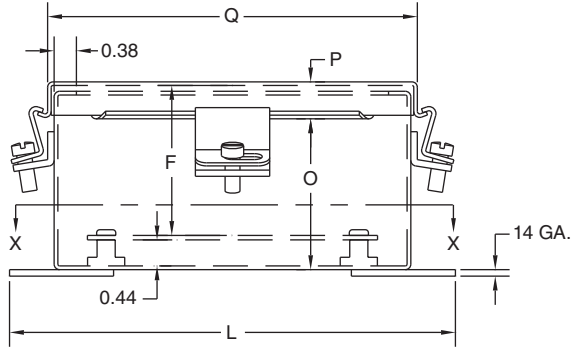
- Exterior and doors of enclosures have a smooth grained finish
- Optional back panels are white polyester powder

Accessories

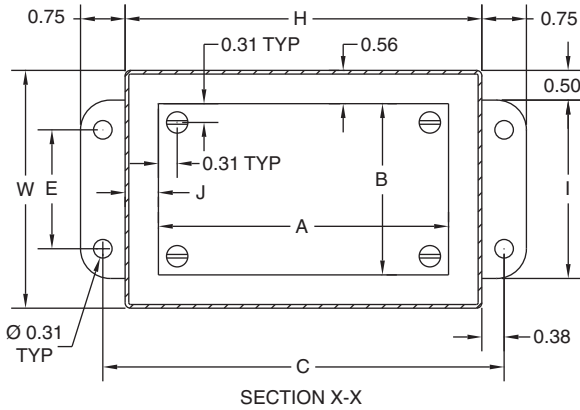
- Back panels (reference tables)
- See pages J1-J22

BN4-CH SERIES CLAMP COVER ALUMINUM ENCLOSURES															
CATALOG NUMBER	BODY/DOOR ALUMINUM GAUGE	ENCLOSURE SIZE H X W X D	BACK PANEL CATALOG NUMBER*	BACK PANEL SIZE A X B	MOUNTING C X E	OVERALL L X M	F	G	I	J	K	N	O	P	Q
BN4060604AL	14/14	6.00x6.00x4.00 (152x152x102)	P0606	4.88x4.88 (124x124)	6.75x4.00 (171x102)	7.50x7.63 (191x194)	3.53 (90)	6.31 (160)	5.00 (127)	0.56 (14)	2.38 (60)	2.38 (60)	3.53 (90)	0.63 (16)	6.31 (160)
BN4080603AL	14/14	8.00x6.00x3.50 (203x152x89)	P0806	6.88x4.88 (175x124)	8.75x4.00 (222x102)	9.50x7.63 (241x194)	3.03 (77)	6.31 (160)	5.00 (127)	0.56 (14)	2.38 (60)	3.38 (86)	3.03 (77)	0.63 (16)	8.31 (211)
BN4100804AL	14/14	10.00x8.00x4.00 (254x203x102)	P1008	8.88x6.88 (226x175)	10.75x6.00 (273x152)	11.50x9.63 (292x244)	3.53 (90)	8.31 (211)	7.00 (178)	0.56 (14)	3.38 (86)	1.50 (38)	3.53 (90)	0.63 (16)	10.31 (262)
BN4121005AL	14/14	12.00x10.00x5.00 (305x254x127)	P1210	10.88x8.88 (276x226)	12.75x8.00 (324x203)	13.50x11.63 (343x295)	4.53 (115)	10.31 (262)	9.00 (229)	0.56 (14)	2.00 (51)	3.00 (76)	4.53 (115)	0.63 (16)	12.31 (313)
BN4141206AL	14/14	14.00x12.00x6.00 (356x305x152)	P1412	12.88x10.88 (327x276)	14.75x10.00 (375x254)	15.50x13.63 (394x346)	5.53 (141)	12.31 (313)	11.00 (279)	0.56 (14)	2.00 (51)	3.00 (76)	5.53 (141)	0.63 (16)	14.31 (364)
BN4161406AL	14/14	16.00x14.00x6.00 (406x356x152)	P1614	14.88x12.88 (378x327)	16.75x12.00 (425x305)	17.50x15.63 (445x397)	5.53 (141)	14.31 (363)	13.00 (330)	0.56 (14)	3.50 (89)	1.50 (38)	5.53 (141)	0.63 (16)	16.31 (414)

*Back panels must be ordered separately



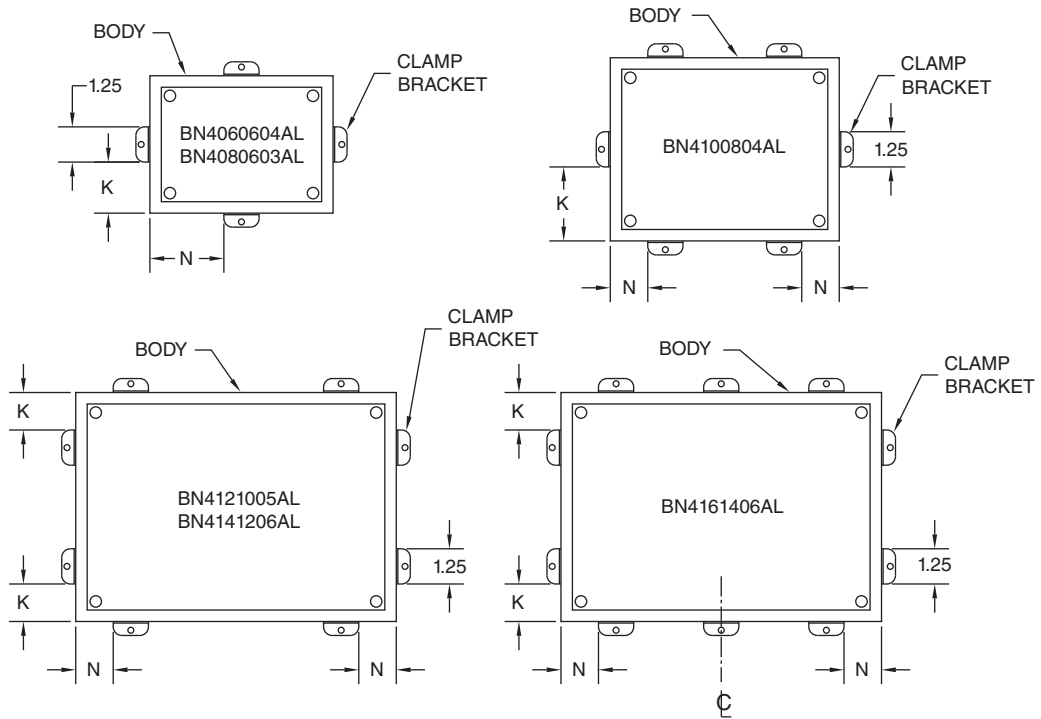
Panel (Order Separately)



Notes:

1. Panels are 14 Ga. steel.
2. Panel screws are #10-32 Pan Head.

CLAMP BRACKET LOCATIONS



**BN4 - CHAL SERIES ENCLOSURES
NEMA 4X JIC CONTINUOUS HINGE WALL-MOUNT**

BN4080603CHAL
Industry Standards

UL 50, Types 4, 4X, 12 & 13
CSA Certified, Types 4 & 12
NEMA/EEMAC Type 4, 4X, 12 & 13
JIC EL-1-71

 UL File E6924, E64791

 CSA File LL66078

FEATURES-SPECIFICATIONS
Applications

Designed as an instrument housing or junction box for electrical, electronic, or pneumatic components. It is ideal for applications where a lightweight, corrosion resistant enclosure is required.

Construction

- Bodies and doors fabricated from .080-inch thick (2 millimeters) 5052-H32 aluminum
- Continuously welded seams ground smooth, less holes or knockouts
- Closed cell oil resistant neoprene gasket

- External mounting plate, top and bottom of enclosure
- Weldnuts are provided on Models 6.00" x 4.00" and larger to secure optional panel
- Stainless steel screws and clamps on three sides of cover to assure water tight seal
- Optional panels and terminal kits must be ordered separately
- Grounding provisions provided
- Cover removed by pulling stainless steel continuous hinge pin

Finish

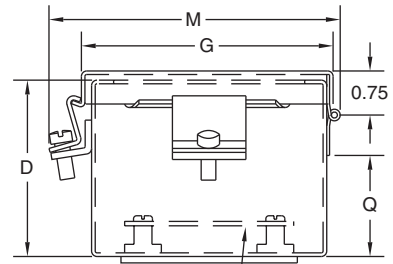
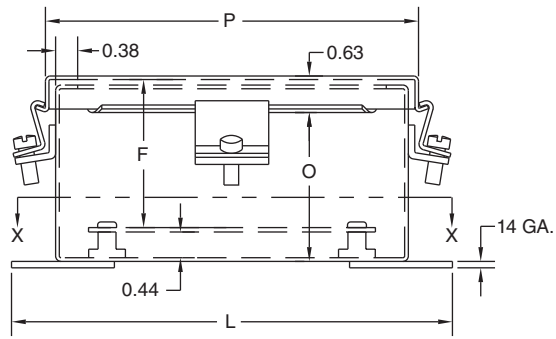
- Exterior and doors of enclosures have a smooth grained finish
- Optional back panels are white polyester powder

Accessories

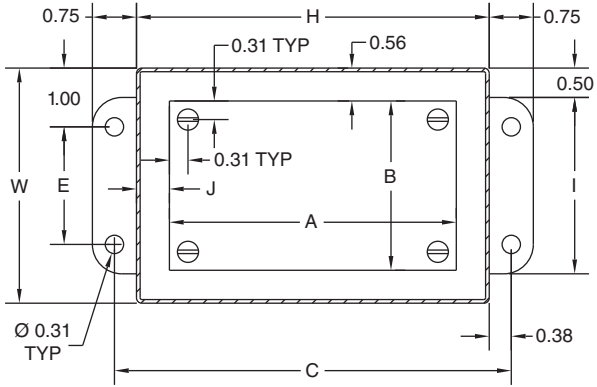
- Back panels (reference tables)
- See pages J1-J22

BN4-CHAL SERIES CONTINUOUS HINGE ALUMINUM ENCLOSURES															
CATALOG NUMBER	BODY/DOOR ALUMINUM GAUGE	ENCLOSURE SIZE H X W X D	BACK PANEL CATALOG NUMBER*	BACK PANEL SIZE A X B	MOUNTING C X E	OVERALL L X M	F	G	I	J	K	N	O	P	Q
BN4060604CHAL	14/14	6.00x6.00x4.00 (152x152x102)	P0606	4.88x4.88 (124x124)	6.75x4.00 (171x102)	7.50x7.00 (191x178)	3.53 (90)	6.31 (160)	5.00 (127)	0.56 (14)	2.38 (60)	2.38 (60)	3.53 (90)	6.31 (160)	2.78 (71)
BN4080603CHAL	14/14	8.00x6.00x3.50 (203x152x89)	P0806	6.88x4.88 (175x124)	8.75x4.00 (222x102)	9.50x7.00 (241x178)	3.03 (77)	6.31 (160)	5.00 (127)	0.56 (14)	2.38 (60)	3.38 (86)	3.03 (77)	8.31 (211)	2.28 (58)
BN4100804CHAL	14/14	10.00x8.00x4.00 (254x203x102)	P1008	8.88x6.88 (226x175)	10.75x6.00 (273x152)	11.50x9.00 (292x229)	3.53 (90)	8.31 (211)	7.00 (178)	0.56 (14)	3.38 (86)	1.50 (38)	3.53 (90)	10.31 (262)	2.78 (71)
BN4121005CHAL	14/14	12.00x10.00x5.00 (305x254x127)	P1210	10.88x8.88 (276x226)	12.75x8.00 (324x203)	13.50x11.00 (343x279)	4.53 (115)	10.31 (262)	9.00 (229)	0.56 (14)	2.00 (51)	3.00 (76)	4.53 (115)	12.31 (313)	3.78 (96)
BN4141206CHAL	14/14	14.00x12.00x6.00 (356x305x152)	P1412	12.88x10.88 (327x276)	14.75x10.00 (375x254)	15.50x13.00 (394x330)	5.53 (141)	12.31 (313)	11.00 (279)	0.56 (14)	2.00 (51)	3.00 (76)	5.53 (141)	14.31 (364)	4.78 (121)
BN4161406CHAL	14/14	16.00x14.00x6.00 (406x356x152)	P1614	14.88x12.88 (378x327)	16.75x12.00 (425x305)	17.50x15.00 (445x381)	5.53 (141)	14.31 (363)	13.00 (330)	0.56 (14)	3.50 (89)	1.50 (38)	5.53 (141)	16.31 (414)	4.78 (121)

*Back panels must be ordered separately.



Panel (Order Separately)

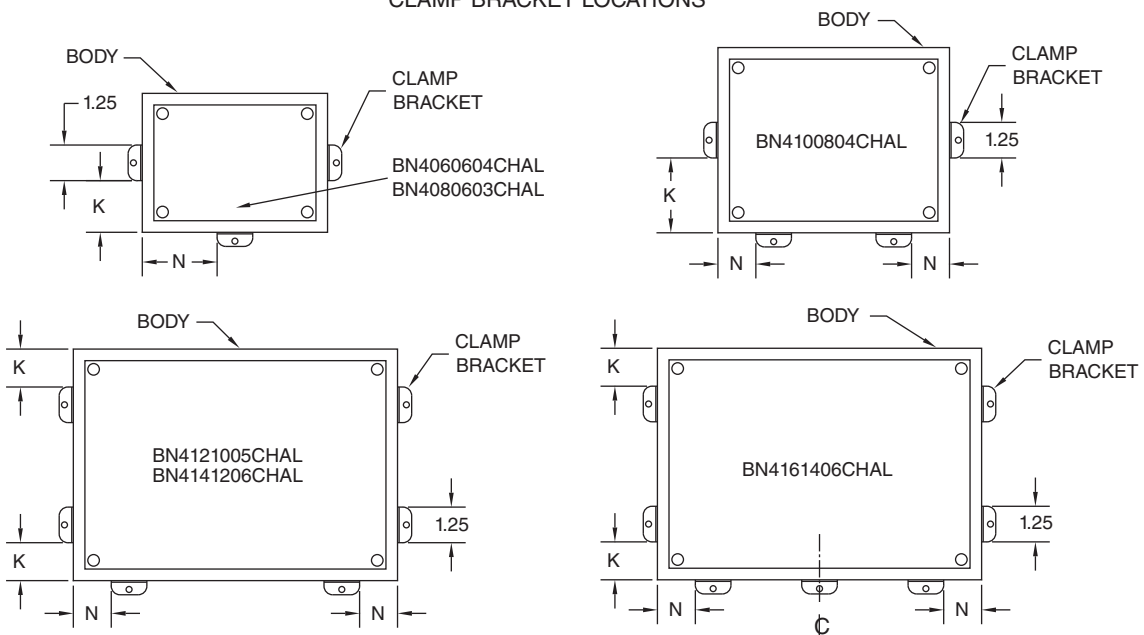


SECTION X-X

Notes:

- 1. Panels are 14 Ga. steel.
- 2. Panel screws are #10-32 Pan Head.

CLAMP BRACKET LOCATIONS



**WC - CSS SERIES ENCLOSURES
NEMA 12 CONSOLE SINGLE DOOR**

WC12C12SS
Industry Standards

UL 508, Types 12 & 13
CSA Certified, Type 12
NEMA/EEMAC Type 12 & 13
JIC EL-1-71

 UL Files E64791

 CSA File LL66078

FEATURES-SPECIFICATIONS
Applications

Designed to house a variety of electronic control or instrumentation devices. Consolets provide protection from dust, dirt, oil, and water. Flexible design allows for mounting on either or two sides, creating control surfaces of 30 degrees or 60 degrees. Consolets can be mounted on desktops, pedestals, or other flat surfaces.

Construction

- Bodies and doors fabricated from 14 gauge 304 stainless steel
- Continuously welded seams ground smooth, less knockouts or holes
- Captivated cover screws thread into sealed wells
- Control panel is continuously hinged along bottom edge

- Closed cell oil resistant neoprene gasket
- Grounding provisions provided

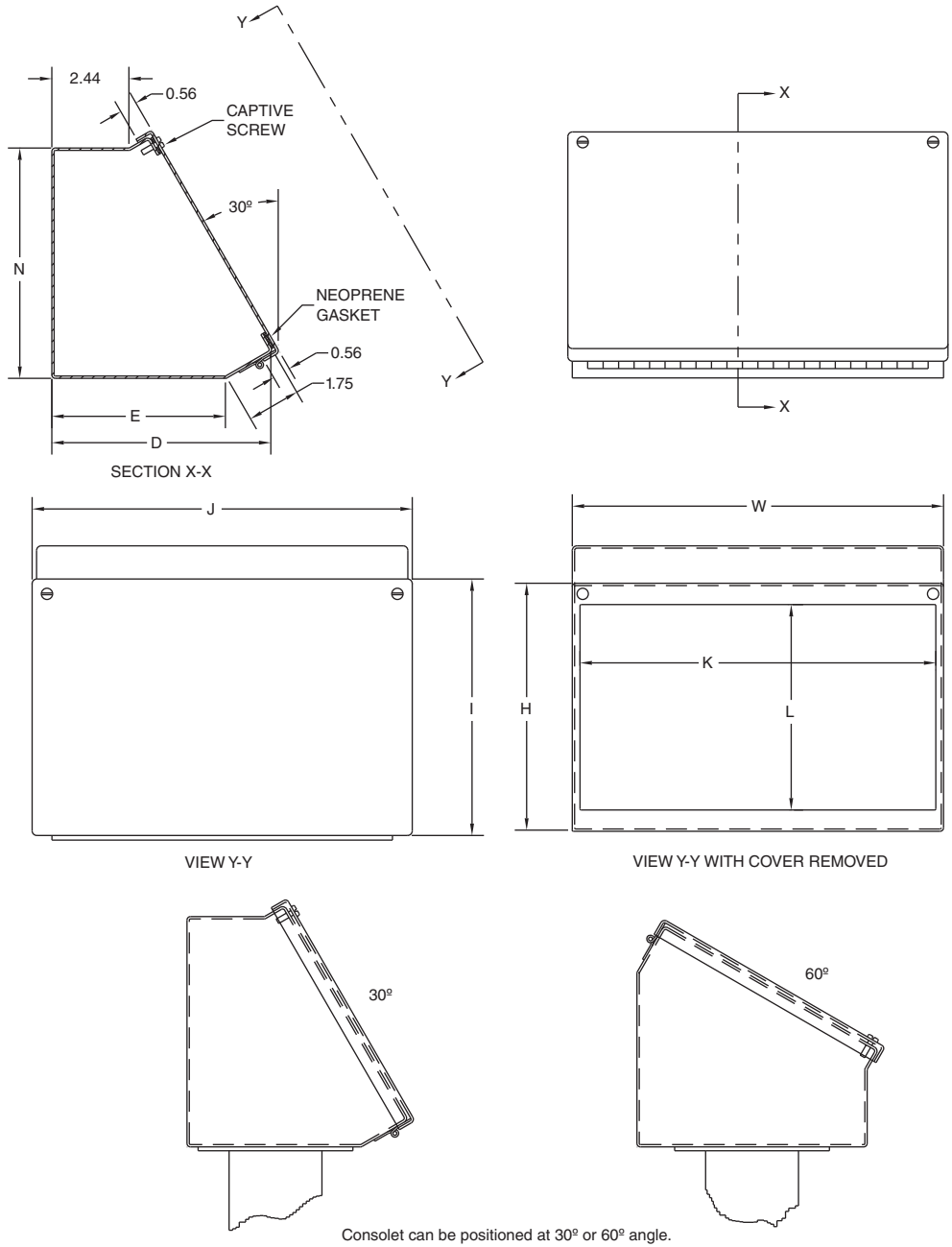
Finish

- Smooth brushed finish

Accessories

See pages J1-J22

WC-CSS SERIES CONSOLE ENCLOSURES								
CATALOG NUMBER	BODY/DOOR STEEL GAUGE	ENCLOSURE SIZE H X W X D	E	N	L	K	I	J
WC08C08SS	14/14	8.00x8.00x7.09 (203x203x180)	5.69 (144)	7.44 (189)	6.56 (167)	7.44 (189)	8.31 (211)	8.31 (211)
WC08C12SS	14/14	8.00x12.00x7.09 (203x305x180)	5.69 (144)	7.44 (189)	6.56 (167)	11.44 (291)	8.31 (211)	12.31 (313)
WC08C16SS	14/14	8.00x16.00x7.09 (203x406x180)	5.69 (144)	7.44 (189)	6.56 (167)	15.44 (392)	8.31 (211)	16.31 (414)
WC08C20SS	14/14	8.00x20.00x7.09 (203x508x180)	5.69 (144)	7.44 (189)	6.56 (167)	19.44 (494)	8.31 (211)	20.31 (516)
WC12C12SS	14/14	12.00x12.00x9.09 (305x305x231)	7.69 (195)	10.91 (277)	10.56 (268)	11.44 (291)	12.31 (313)	12.31 (313)
WC12C16SS	14/14	12.00x16.00x9.09 (305x406x231)	7.69 (195)	10.91 (277)	10.56 (268)	15.44 (392)	12.31 (313)	16.31 (414)
WC12C20SS	14/14	12.00x20.00x9.09 (305x508x231)	7.69 (195)	10.91 (277)	10.56 (268)	19.44 (494)	12.31 (313)	20.31 (516)
WC12C24SS	14/14	12.00x24.00x9.09 (305x610x231)	7.69 (195)	10.91 (277)	10.56 (268)	23.44 (595)	12.31 (313)	24.31 (618)
WC16C16SS	14/14	16.00x16.00x11.09 (406x406x282)	9.69 (246)	14.38 (365)	14.56 (370)	15.44 (392)	16.31 (414)	16.31 (414)
WC16C20SS	14/14	16.00x20.00x11.09 (406x508x282)	9.69 (246)	14.38 (365)	14.56 (370)	19.44 (494)	16.31 (414)	20.31 (516)
WC16C24SS	14/14	16.00x24.00x11.09 (406x610x282)	9.69 (246)	14.38 (365)	14.56 (370)	23.44 (595)	16.31 (414)	24.31 (618)
WC16C30SS	14/14	16.00x30.00x11.09 (406x762x282)	9.69 (246)	14.38 (365)	14.56 (370)	29.44 (748)	16.31 (414)	30.31 (770)
WC16C36SS	14/14	16.00x36.00x11.09 (406x914x282)	9.69 (246)	14.38 (365)	14.56 (370)	35.44 (900)	16.31 (414)	36.31 (922)
WC20C20SS	14/14	20.00x20.00x13.09 (508x508x333)	11.69 (297)	17.84 (453)	18.56 (471)	19.44 (494)	20.31 (516)	20.31 (516)
WC20C24SS	14/14	20.00x24.00x13.09 (508x610x333)	11.69 (297)	17.84 (453)	18.56 (471)	23.44 (595)	20.31 (516)	24.31 (618)
WC20C30SS	14/14	20.00x30.00x13.09 (508x762x333)	11.69 (297)	17.84 (453)	18.56 (471)	29.44 (748)	20.31 (516)	30.31 (770)



Console can be positioned at 30° or 60° angle.

**N412 - SSC ULTIMATE SERIES ENCLOSURES
NEMA 4X SINGLE DOOR WALL-MOUNT**



N412201606SSC

Industry Standards

UL 508, Types 4, 4X, 12 & 13
CSA Certified, Types 4, 4X, 12 & 13
NEMA/EEMAC Type 4, 4X, 12 & 13

Wall mounting brackets required to maintain UL/CSA external mounting requirements.

UL Files E64791

CSA File LL66078

FEATURES-SPECIFICATIONS

Applications

Hubbell Wiegmann N412SSC ULTIMATE Stainless Steel Series Enclosures are designed to house and protect electrical and electronic components from harsh, dirty environments. For use in installations where dirt, dust, oil, water, or other contaminants are present. It is typically used in the following areas where corrosion-resistant protection is needed: food processing plants, pharmaceutical manufacturing facilities, petrochemical plants, pulp and paper processing, and waste water treatment facilities. Streamlined styling, flush latching, and attractive Stainless Steel finish complement any high tech electronic equipment.

Construction

- Bodies and doors fabricated from 14 gauge 304 or 316L Stainless Steel

- Continuously Plasma welded seams
- Increased tub opening for better access
- Concealed hinges
- Doors are interchangeable and easily removable
- Ground stud located in door
- 1/4-turn semi-flush oil tight latches are supplied to hold door securely closed
- Print pocket is provided
- Doors are sealed with poured-in-place polyurethane gasket**
- Mounting holes in rear of enclosure
- Studs for mounting optional back panel (the Ultimate back panels have increased in size to accommodate larger foot-print installations)

Finish

- All exterior surfaces have a smooth grained finish
- Optional back panels are white polyester powder
- Optional "G" panels have a conductive finish (See page I5)

Accessories

- Back panels (see reference tables)
- Window door (see reference tables)
- See pages J1-J22. See pages J20-J22 for ULTIMATE Series Accessories
- Optional N412MFKSS mounting foot kit must be ordered separately

N412-SSC ULTIMATE SERIES SINGLE DOOR STAINLESS ENCLOSURES									
CATALOG NUMBER		BODY/DOOR STEEL GAUGE	ENCLOSURE SIZE H X W X D	BACK PANEL CATALOG NUMBER*			BACK PANEL SIZE A & B	C	E
304 SS	316L SS			WHITE	304 SS	"G"			
N412121206SSC	N412121206SSAC	14/14	12.00x12.00x6.00 (305x305x152)	NP1212C	—	NP1212CG	10.2x10.2 (259x259)	6.00 (152)	—
N412161206SSC	N412161206SSAC	14/14	16.00x12.00x6.00 (406x305x152)	NP1612C	NP1612SSC	NP1612CG	14.2x10.2 (361x259)	8.00 (203)	—
N412161606SSC	N412161606SSAC	14/14	16.00x16.00x6.00 (406x406x152)	NP1616C	NP1616SSC	NP1616CG	14.2x14.2 (361x361)	8.00 (203)	—
N412201606SSC	N412201606SSAC	14/14	20.00x16.00x6.00 (508x406x152)	NP2016C	NP2016SSC	NP2016CG	18.2x14.2 (462x361)	10.00 (254)	—
N412202006SSC	N412202006SSAC	14/14	20.00x20.00x6.00 (508x508x152)	NP2020C	NP2020SSC	NP2020CG	18.2x18.2 (462x462)	10.00 (254)	—
N412161208SSC	N412161208SSAC	14/14	16.00x12.00x8.00 (406x305x203)	NP1612C	NP1612SSC	NP1612CG	14.2x10.2 (361x259)	8.00 (203)	—
N412161608SSC	N412161608SSAC	14/14	16.00x16.00x8.00 (406x406x203)	NP1616C	NP1616SSC	NP1616CG	14.2x14.2 (361x361)	8.00 (203)	—
N412162008SSC	N412162008SSAC	14/14	16.00x20.00x8.00 (406x508x203)	NP2016C	NP2016SSC	NP2016CG	14.2x18.2 (361x462)	8.00 (203)	—
N412201608SSC	N412201608SSAC	14/14	20.00x16.00x8.00 (508x406x203)	NP2016C	NP2016SSC	NP2016CG	18.2x14.2 (462x361)	10.00 (254)	—
N412202008SSC	N412202008SSAC	14/14	20.00x20.00x8.00 (508x508x203)	NP2020C	NP2020SSC	NP2020CG	18.2x18.2 (462x462)	10.00 (254)	—
N412241608SSC	N412241608SSAC	14/14	24.00x16.00x8.00 (610x406x203)	NP2416C	NP2416SSC	NP2416CG	22.2x14.2 (564x361)	10.00 (254)	—

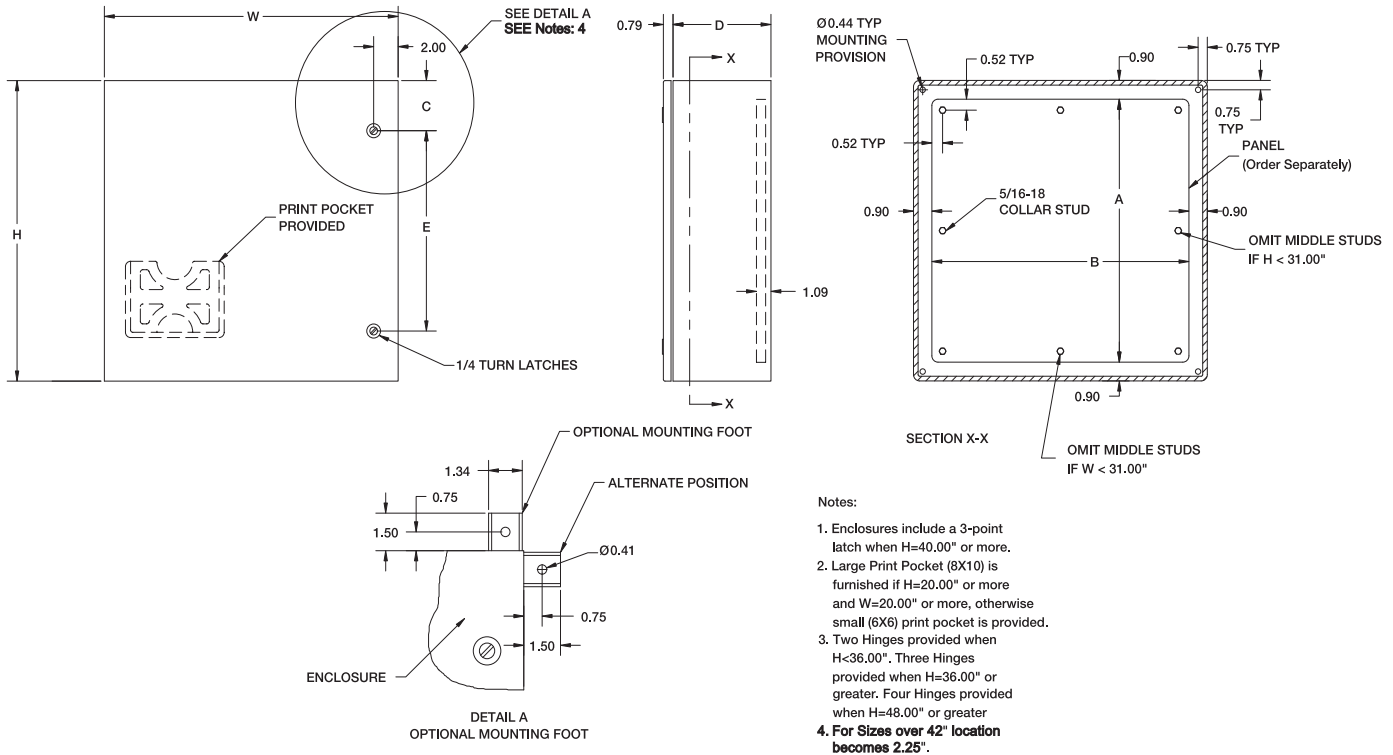
Continued on page E17

**N412 - SSC ULTIMATE SERIES ENCLOSURES
NEMA 4X SINGLE DOOR WALL-MOUNT**

N412-SSC ULTIMATE SERIES SINGLE DOOR STAINLESS ENCLOSURES (CONT.)									
CATALOG NUMBER		BODY/DOOR STEEL GAUGE	ENCLOSURE SIZE H X W X D	BACK PANEL CATALOG NUMBER*			BACK PANEL SIZE A & B	C	E
304 SS	316L SS			WHITE	304 SS	"G"			
N412242008SSC	N412242008SSAC	14/14	24.00x20.00x8.00 (610x508x203)	NP2420C	NP2420SSC	NP2420CG	22.2x18.2 (564x462)	12.00 (305)	—
N412242408SSC	N412242408SSAC	14/14	24.00x24.00x8.00 (610x610x203)	NP2424C	NP2424SSC	NP2424CG	22.2x22.2 (564x564)	4.00 (102)	16.00 (406)
N412302408SSC	N412302408SSAC	14/14	30.00x24.00x8.00 (762x610x203)	NP3024C	NP3024SSC	NP3024CG	28.2x22.2 (716x564)	4.00 (102)	22.00 (559)
N412303008SSC	N412303008SSAC	14/14	30.00x30.00x8.00 (762x610x203)	NP3030C	NP3030SSC	NP3030CG	28.2x28.2 (716x716)	4.00 (102)	22.00 (559)
N412362408SSC	N412362408SSAC	14/14	36.00x24.00x8.00 (914x610x203)	NP3624C	NP3624SSC	NP3624CG	34.2x22.2 (869x564)	4.00 (102)	28.00 (711)
N412363008SSC	N412363008SSAC	14/14	36.00x30.00x8.00 (914x762x203)	NP3630C	NP3630SSC	NP3630CG	34.2x28.2 (869x716)	4.00 (102)	28.00 (711)
N412161210SSC	N412161210SSAC	14/14	16.00x12.00x10.00 (406x305x254)	NP1612C	NP1612SSC	NP1612CG	14.2x10.2 (361x259)	8.00 (203)	—
N412161610SSC	N412161610SSAC	14/14	16.00x16.00x10.00 (406x406x254)	NP1616C	NP1616SSC	NP1616CG	14.2x14.2 (361x361)	8.00 (203)	—
N412162010SSC	N412162010SSAC	14/14	16.00x20.00x10.00 (406x508x203)	NP1620C	NP1620SSC	NP1620CG	14.2x18.2 (361x467)	8.00 (203)	—
N412201610SSC	N412201610SSAC	14/14	20.00x16.00x10.00 (508x406x254)	NP2016C	NP2016SSC	NP2016CG	18.2x14.2 (467x361)	10.00 (254)	—
N412202010SSC	N412202010SSAC	14/14	20.00x20.00x10.00 (508x508x254)	NP2020C	NP2020SSC	NP2020CG	18.2x18.2 (467x467)	10.00 (254)	—
N412241610SSC	N412241610SSAC	14/14	24.00x16.00x10.00 (610x406x254)	NP2416C	NP2416SSC	NP2416CG	22.2x14.2 (564x361)	10.00 (254)	—
N412242010SSC	N412242010SSAC	14/14	24.00x20.00x10.00 (610x508x254)	NP2020C	NP2020SSC	NP2020CG	18.2x18.2 (467x467)	10.00 (254)	—
N412242410SSC	N412242410SSAC	14/14	24.00x24.00x10.00 (610x610x254)	NP2424C	NP2424SSC	NP2424CG	22.2x22.2 (569x569)	4.00 (102)	16.00 (406)
N412302410SSC	N412302410SSAC	14/14	30.00x24.00x10.00 (762x610x254)	NP3024C	NP3024SSC	NP3024CG	28.2x22.2 (716x564)	4.00 (102)	22.00 (559)
N412303010SSC	N412303010SSAC	14/14	30.00x30.00x10.00 (762x762x254)	NP3030C	NP3030SSC	NP3030CG	28.2x28.2 (716x716)	4.00 (102)	22.00 (559)
N412362410SSC	N412362410SSAC	14/14	36.00x24.00x10.00 (914x610x254)	NP3624C	NP3624SSC	NP3624CG	34.2x22.2 (869x564)	4.00 (102)	28.00 (711)
N412363010SSC	N412363010SSAC	14/14	36.00x30.00x10.00 (914x762x254)	NP3630C	NP3630SSC	NP3630CG	34.2x28.2 (869x716)	4.00 (102)	28.00 (711)
N412363610SSC	N412363610SSAC	14/14	36.00x36.00x10.00 (914x914x254)	NP3636C	NP3636SSC	NP3636CG	34.2x34.2 (869x869)	4.00 (102)	28.00 (711)
N412423610SSC	N412423610SSAC	14/14	42.00x36.00x10.00 (1067x914x254)	NP4236C	NP4236SSC	NP4236CG	40.2x34.2 (1021x869)	21.00 (533)	—
N412483610SSC	N412483610SSAC	14/14	48.00x36.00x10.00 (1219x914x254)	NP4836C	NP4836SSC	NP4836CG	46.2x34.2 (1173x869)	24.00 (610)	—
N412603610SSC	N412603610SSAC	14/14	60.00x36.00x10.00 (1524x914x254)	NP6036C	NP6036SSC	NP6036CG	58.2x34.2 (1478x869)	30.00 (762)	—
N412202012SSC	N412202012SSAC	14/14	20.00x20.00x12.00 (508x508x305)	NP2020C	NP2020SSC	NP2020CG	18.2x18.2 (462x462)	10.00 (254)	—
N412242412SSC	N412242412SSAC	14/14	24.00x24.00x12.00 (610x610x305)	NP2424C	NP2424SSC	NP2424CG	22.2x22.2 (564x564)	4.00 (102)	16.00 (406)
N412302412SSC	N412302412SSAC	14/14	30.00x24.00x12.00 (762x610x305)	NP3024C	NP3024SSC	NP3024CG	28.2x22.2 (716x564)	4.00 (102)	22.00 (559)
N412362412SSC	N412362412SSAC	14/14	36.00x24.00x12.00 (614x610x305)	NP3624C	NP3624SSC	NP3624CG	34.2x22.2 (869x564)	4.00 (102)	28.00 (711)
N412363012SSC	N412363012SSAC	14/14	36.00x30.00x12.00 (914x762x305)	NP3630C	NP3630SSC	NP3630CG	34.2x28.2 (869x716)	4.00 (102)	28.00 (711)
N412363612SSC	N412363612SSAC	14/14	36.00x36.00x12.00 (914x914x305)	NP3636C	NP3636SSC	NP3636CG	34.2x34.2 (869x869)	4.00 (102)	28.00 (711)
N412423612SSC	N412423612SSAC	14/14	42.00x36.00x12.00 (1067x914x305)	NP4236C	NP4236SSC	NP4236CG	40.2x34.2 (1021x869)	21.00 (533)	—
N412483612SSC**	N412483612SSAC	14/14	48.00x36.00x12.00 (1219x914x305)	NP4836C	NP4836SSC	NP4836CG	46.2x34.2 (1173x869)	24.00 (610)	—
N412603612SSC**	N412603612SSAC**	14/14	60.00x36.00x12.00 (1524x914x305)	NP6036C	NP6036SSC	NP6036CG	58.2x34.2 (1478x869)	30.00 (762)	—

* Back panels must be ordered separately.

** Enclosures are supplied with closed cell neoprene gasket (not foam-in-place).



Notes:

1. Enclosures include a 3-point latch when H=40.00" or more.
2. Large Print Pocket (8X10) is furnished if H=20.00" or more and W=20.00" or more, otherwise small (6X6) print pocket is provided.
3. Two Hinges provided when H<36.00". Three Hinges provided when H=36.00" or greater. Four Hinges provided when H=48.00" or greater
4. For Sizes over 42" location becomes 2.25".

**N412 - WSSC ULTIMATE SERIES ENCLOSURES
NEMA 4X SINGLE DOOR WALL-MOUNT WITH WINDOW**



N412202006WSSC

Industry Standards

UL 508, Types 4, 4X, 12 & 13
CSA Certified, Types 4, 4X, 12 & 13
NEMA/EEMAC Type 4, 4X, 12 & 13

Wall mounting brackets required to maintain UL/CSA external mounting requirements.

UL Files E64791

CSA File LL66078

FEATURES-SPECIFICATIONS

Applications

Hubbell Wiegmann N412WSSC ULTIMATE Stainless Steel Series Enclosures are designed to house and protect electrical and electronic components from harsh, dirty environments. For use in installations where dirt, dust, oil, water, or other contaminants are present. It is typically used in the following areas where corrosion-resistant protection is needed: food processing plants, pharmaceutical manufacturing facilities, petrochemical plants, pulp and paper processing, and waste water treatment facilities. Streamlined styling, flush latching, and attractive Stainless Steel finish complement any high tech electronic equipment.

Construction

- Bodies and doors fabricated from 14 gauge 304 Stainless Steel
- Continuously Plasma welded seams
- Increased tub opening for better access
- Concealed hinges
- Plexiglass viewing window
- Doors are interchangeable and easily removable
- Grounding provisions provided (tub only)
- 1/4-turn semi-flush oil tight latches are supplied to hold door securely closed
- Print pocket is provided
- Doors are sealed with poured-in-place polyurethane gasket**

- Mounting holes in rear of enclosure
- Studs for mounting optional back panel (the Ultimate back panels have increased in size to accommodate larger foot-print installations)

Finish

- All exterior surfaces have a smooth grained finish
- Optional back panels are white polyester powder
- Optional "G" panels have a conductive finish (See page I5)

Accessories

- Back panels (see reference tables)
- See pages J1-J22. See pages J20-J22 for ULTIMATE Series Accessories
- Optional N412MFKSS mounting foot kit must be ordered separately

N412WSSC ULTIMATE SERIES SINGLE DOOR WITH WINDOW STAINLESS ENCLOSURES								
CATALOG NUMBER	BODY/DOOR STEEL GAUGE	ENCLOSURE SIZE H X W X D	VIEWABLE WINDOW AREA	BACK PANEL CATALOG NUMBER*		BACK PANEL SIZE A & B	C	E
				WHITE	"G"			
N412121206WSSC	14/14	12.00x12.00x6.00 (305x305x152)	7.50 x 6.25 (191 x 159)	NP1212C	NP1212CG	10.2x10.2 (259x259)	6.00 (152)	—
N412161206WSSC	14/14	16.00x12.00x6.00 (406x305x152)	11.50 x 6.25 (292 x 159)	NP1612C	NP1612CG	14.2x10.2 (361x259)	8.00 (203)	—
N412201606WSSC	14/14	20.00x16.00x6.00 (508x406x152)	15.50 x 10.25 (394 x 260)	NP2016C	NP2016CG	18.2x14.2 (462x361)	10.00 (254)	—
N412202006WSSC	14/14	20.00x20.00x6.00 (508x508x152)	15.50 x 14.25 (394 x 362)	NP2020C	NP2020CG	18.2x18.2 (462x462)	10.00 (254)	—
N412242006WSSC	14/14	24.00x20.00x6.00 (610x508x152)	19.50 x 14.25 (495 x 362)	NP2420C	NP2420CG	22.2x18.2 (564x462)	12.00 (305)	—
N412242406WSSC	14/14	24.00x24.00x6.00 (610x610x152)	19.50 x 18.25 (495 x 464)	NP2424C	NP2424CG	22.2x22.2 (564x564)	4.00 (102)	16.00 (406)
N412302406WSSC	14/14	30.00x24.00x6.00 (762x610x152)	25.50 x 18.25 (648 x 464)	NP3024C	NP3024CG	28.2x22.2 (716x564)	4.00 (102)	22.00 (559)
N412121208WSSC	14/14	12.00x12.00x8.00 (305x305x203)	7.50 x 6.25 (191 x 159)	NP1212C	NP1212CG	10.2x10.2 (259x259)	6.00 (152)	—
N412161208WSSC	14/14	16.00x12.00x8.00 (406x305x203)	11.50 x 6.25 (292 x 159)	NP1612C	NP1612CG	14.2x10.2 (361x259)	8.00 (203)	—
N412201608WSSC	14/14	20.00x16.00x8.00 (508x406x203)	15.50 x 10.25 (394 x 260)	NP2016C	NP2016CG	18.2x14.2 (462x361)	10.00 (254)	—
N412202008WSSC	14/14	20.00x20.00x8.00 (508x508x203)	15.50 x 14.25 (394 x 362)	NP2020C	NP2020CG	18.2x18.2 (462x462)	10.00 (254)	—
N412242008WSSC	14/14	24.00x20.00x8.00 (610x508x203)	19.50 x 14.25 (495 x 362)	NP2420C	NP2420CG	22.2x18.2 (564x462)	12.00 (305)	—

*Back panels must be ordered separately. **Enclosures are supplied with closed cell neoprene gasket (not foam-in-place).

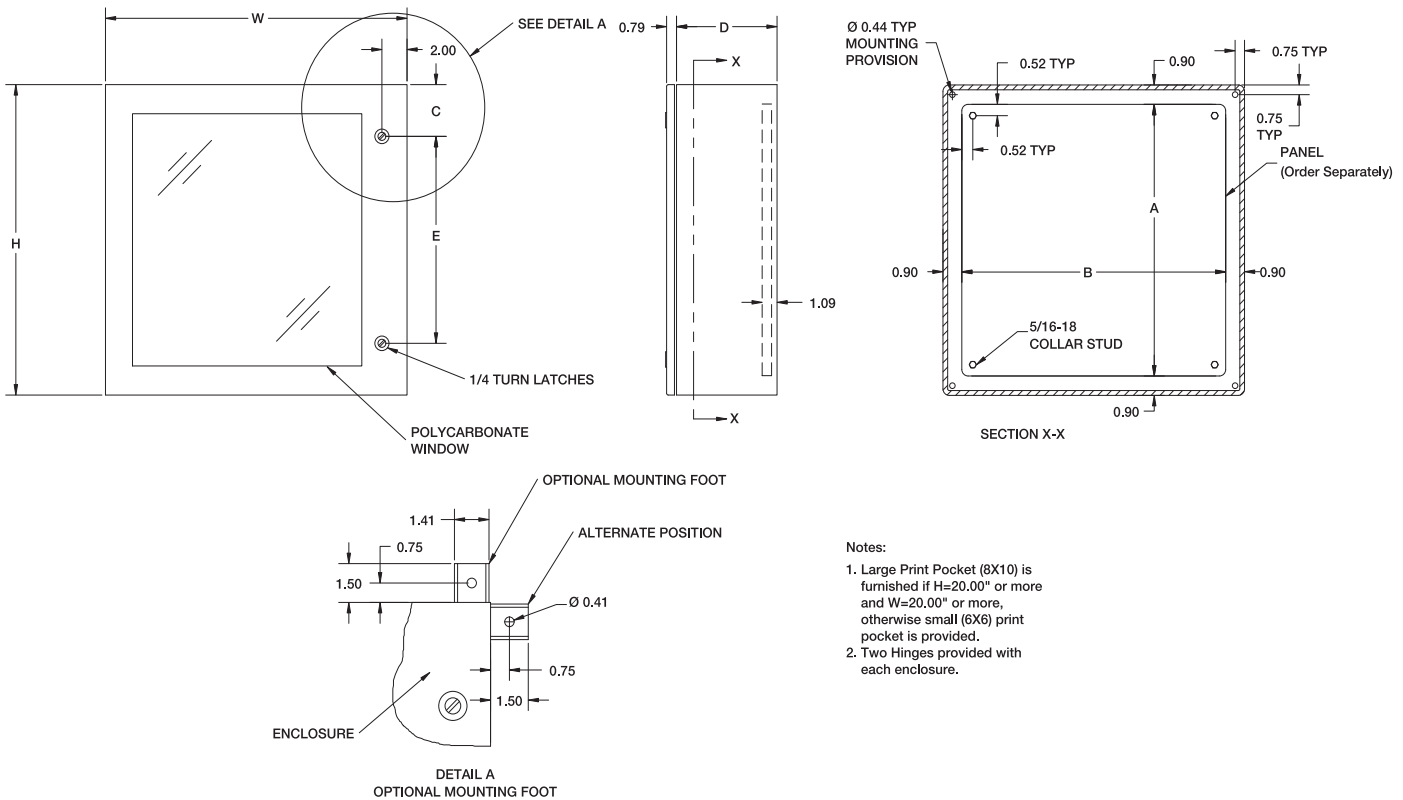
Continued on page E20

**N412 - WSSC ULTIMATE SERIES ENCLOSURES
NEMA 4X SINGLE DOOR WALL-MOUNT WITH WINDOW**

N412WSSC ULTIMATE SERIES SINGLE DOOR WITH WINDOW STAINLESS ENCLOSURES (CONT.)								
CATALOG NUMBER	BODY/DOOR STEEL GAUGE	ENCLOSURE SIZE H X W X D	VIEWABLE WINDOW AREA	BACK PANEL CATALOG NUMBER*		BACK PANEL SIZE A & B	C	E
				WHITE	"G"			
N412242408WSSC	14/14	24.00x24.00x8.00 (610x610x203)	19.50 x 18.25 (495 x 464)	NP2424C	NP2424CG	22.2x22.2 (564x564)	4.00 (102)	16.00 (406)
N412302408WSSC	14/14	30.00x24.00x8.00 (762x610x203)	25.50 x 18.25 (648 x 464)	NP3024C	NP3024CG	28.2x22.2 (716x564)	4.00 (102)	22.00 (559)
N412161210WSSC	14/14	16.00x12.00x10.00 (406x305x254)	11.50 x 6.25 (292 x 159)	NP1612C	NP1612CG	14.2x10.2 (361x259)	8.00 (203)	—
N412201610WSSC	14/14	20.00x16.00x10.00 (508x406x254)	15.50 x 10.25 (394 x 260)	NP2016C	NP2016CG	18.2x14.2 (462x361)	10.00 (254)	—
N412202010WSSC	14/14	20.00x20.00x10.00 (508x508x254)	15.50 x 14.25 (394 x 362)	NP2020C	NP2020CG	18.2x18.2 (462x462)	10.00 (254)	—
N412242010WSSC	14/14	24.00x20.00x10.00 (610x508x254)	19.50 x 14.25 (495 x 362)	NP2420C	NP2420CG	22.2x18.2 (564x462)	12.00 (305)	—
N412242410WSSC	14/14	24.00x24.00x10.00 (610x610x254)	19.50 x 18.25 (495 x 464)	NP2424C	NP2424CG	22.2x22.2 (564x564)	4.00 (102)	16.00 (406)
N412302410WSSC	14/14	30.00x24.00x10.00 (762x610x254)	25.50 x 18.25 (648 x 464)	NP3024C	NP3024CG	28.2x22.2 (716x564)	4.00 (102)	22.00 (559)
N412202012WSSC	14/14	20.00x20.00x12.00 (508x508x305)	15.50 x 14.25 (394 x 362)	NP2020C	NP2020CG	18.2x18.2 (462x462)	10.00 (254)	—
N412242012WSSC	14/14	24.00x20.00x12.00 (610x508x305)	19.50 x 14.25 (495 x 362)	NP2420C	NP2420CG	22.2x18.2 (564x462)	12.00 (305)	—
N412242412WSSC	14/14	24.00x24.00x12.00 (610x610x305)	19.50 x 18.25 (495 x 464)	NP2424C	NP2424CG	22.2x22.2 (564x564)	4.00 (102)	16.00 (406)
N412302412WSSC	14/14	30.00x24.00x12.00 (762x610x305)	25.50 x 18.25 (648 x 464)	NP3024C	NP3024CG	28.2x22.2 (716x564)	4.00 (102)	22.00 (559)
N412242416WSSC**	14/14	24.00x24.00x12.00 (610x610x406)	19.50 x 18.25 (495 x 464)	NP2424C	NP2424CG	22.2x22.2 (564x564)	4.00 (102)	16.00 (406)
N412242420WSSC**	14/14	24.00x24.00x12.00 (610x610x508)	19.50 x 18.25 (495 x 464)	NP2424C	NP2424CG	22.2x22.2 (564x564)	4.00 (102)	16.00 (406)
N412302420WSSC**	14/14	30.00x24.00x20.00 (762x610x508)	25.50 x 18.25 (648 x 464)	NP3024C	NP3024CG	28.2x22.2 (716x564)	4.00 (102)	22.00 (559)

*Back panels must be ordered separately.

**Enclosures are supplied with closed cell neoprene gasket (not foam-in-place).



- Notes:
1. Large Print Pocket (8X10) is furnished if H=20.00" or more and W=20.00" or more, otherwise small (6X6) print pocket is provided.
 2. Two Hinges provided with each enclosure.

**N412 - SS3PTC & SSA3PTC ULTIMATE SERIES ENCLOSURES
NEMA 12, 4 & 4X SINGLE DOOR WALL-MOUNT**

E21



N412201606SS3PTC

Industry Standards

UL 508 Listed, Types 4X, 12 & 13
CSA Certified, Types 12 & 13
NEMA/EEMAC Type 4X, 12 & 13

 UL Files E64791

 CSA File LL66078

FEATURES-SPECIFICATIONS

Applications

Hubbell Wiegmann N412SS3PTC ULTIMATE Series Enclosures are designed to house and protect electrical and electronic components from harsh, dirty environments. For use in installations where dirt, dust, oil, water, or other contaminants are present. Streamlined styling, flush latching, and attractive durable finish complement any high tech electronic equipment.

Construction

- Bodies and doors fabricated from 14 gauge 304 stainless steel.
- Continuously welded seams ground smooth, less holes or knockouts.

- Body stiffeners are included in larger enclosures for added rigidity.
- Doors are interchangeable and easily removable.
- Grounding studs are welded to door and body assuring a positive ground.
- 1/4-turn semi-flush oil tight latches are supplied to hold door securely closed.
- Print pocket is provided.
- Foam in place door gasket.
- Mounting holes in rear of enclosure.**
- Collar studs for mounting optional back panel.
- With a 3pt 316L SS Padlocking Handle.

Finish

- All exterior surfaces have a smooth grained finish, interior has a standard commercial finish
- Optional back panels are white polyester powder
- Optional "G" panels have a conductive finish (See page 15)

Accessories

- Optional N412MFKSS mounting foot kit must be ordered separately**
- Back panels (see reference tables)
- Window door (reference tables)
- See pages J1-J22.

N412 SS3PT SERIES SINGLE DOOR WALL MOUNT STAINLESS ENCLOSURES

CATALOG NUMBER	ENCLOSURE SIZE H X W X D	BACK PANEL CATALOG NUMBER*			BACK PANEL SIZE A X B
		WHITE	304 SS	"G"	
N412121206SS3PTC	12.00x12.00x6.00 (305x305x152)	NP1212C	NP1212SSC	NP1212CG	10.2x10.2 (259x259)
N412161206SS3PTC	16.00x12.00x6.00 (406x305x152)	NP1612C	NP1612SSC	NP1612CG	14.2x10.2 (361x259)
N412161606SS3PTC	16.00x16.00x6.00 (406x406x152)	NP1616C	NP1616SSC	NP1616CG	14.2x14.2 (361x361)
N412201606SS3PTC	20.00x16.00x6.00 (508x406x152)	NP2016C	NP2016SSC	NP2016CG	18.2x14.2 (462x361)
N412202006SS3PTC	20.00x20.00x6.00 (508x508x152)	NP2020C	NP2020SSC	NP2020CG	18.2x18.2 (462x462)
N412161208SS3PTC	16.00x12.00x8.00 (406x305x203)	NP1612C	NP1612SSC	NP1612CG	14.2x10.2 (361x259)
N412161608SS3PTC	16.00x16.00x8.00 (406x406x203)	NP1616C	NP1616SSC	NP1616CG	14.2x14.2 (361x361)
N412162008SS3PTC	16.00x20.00x8.00 (406x508x203)	NP1620C	NP1620SSC	NP1620CG	14.2x18.2 (361x462)
N412201608SS3PTC	20.00x16.00x8.00 (508x406x203)	NP2016C	NP2016SSC	NP2016CG	18.2x14.2 (462x361)
N412202008SS3PTC	20.00x20.00x8.00 (508x508x203)	NP2020C	NP2020SSC	NP2020CG	18.2x18.2 (462x462)
N412241608SS3PTC	24.00x16.00x8.00 (610x406x203)	NP2416C	NP2416SSC	NP2416CG	22.2x14.2 (564x361)
N412242008SS3PTC	24.00x20.00x8.00 (610x508x203)	NP2420C	NP2420SSC	NP2420CG	22.2x18.2 (564x462)
N412242408SS3PTC	24.00x24.00x8.00 (610x610x203)	NP2424C	NP2424SSC	NP2424CG	22.2x22.2 (564x564)
N412302408SS3PTC	30.00x24.00x8.00 (762x610x203)	NP3024C	NP3024SSC	NP3024CG	28.2x22.2 (716x564)
N412303008SS3PTC	30.00x30.00x8.00 (762x762x203)	NP3030C	NP3030SSC	NP3030CG	28.2x28.2 (716x716)
N412362408SS3PTC	36.00x24.00x8.00 (914x610x203)	NP3624C	NP3624SSC	NP3624CG	34.2x22.2 (869x564)

*Back panels must be ordered separately.

**Enclosures are supplied with closed cell neoprene gasket (not foam-in-place).

Continued on page E22

N412 - SS3PTC & SSA3PTC ULTIMATE SERIES ENCLOSURES NEMA 4X SINGLE DOOR WALL-MOUNT

N412 SS3PTC SERIES SINGLE DOOR WALL MOUNT STAINLESS ENCLOSURES CONT'D.

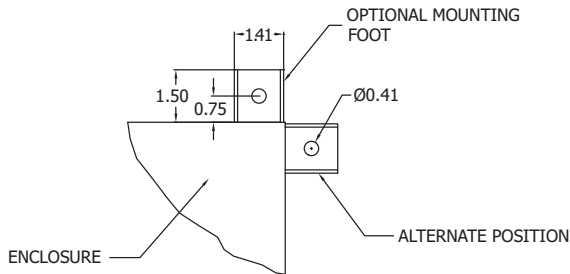
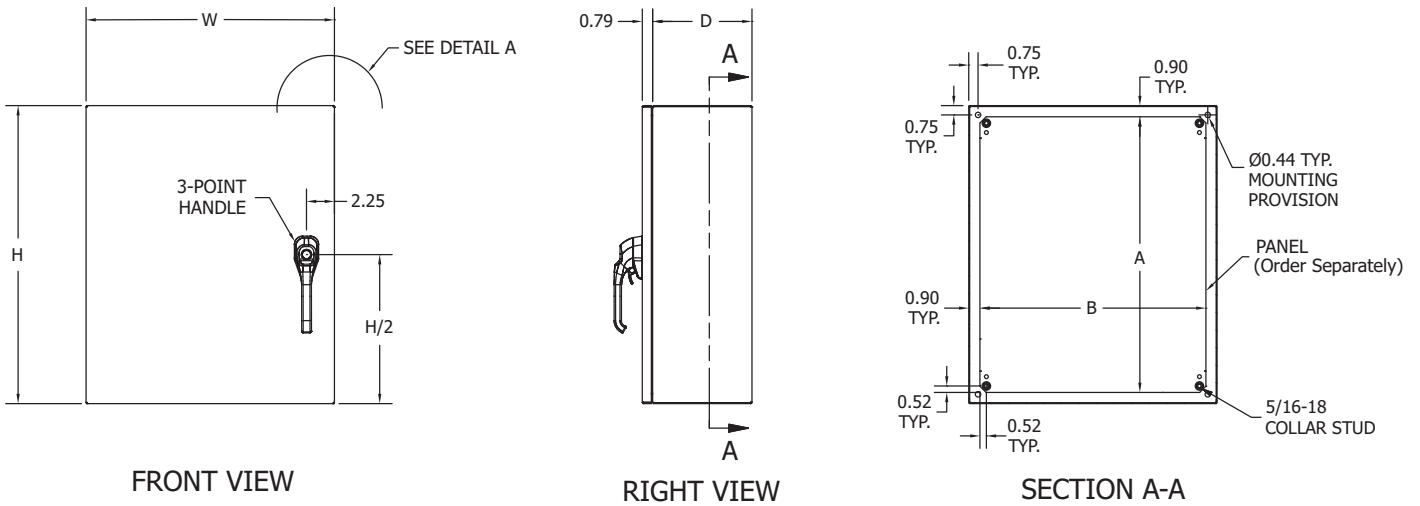
CATALOG NUMBER	ENCLOSURE SIZE H X W X D	BACK PANEL CATALOG NUMBER*			BACK PANEL SIZE A X B
		WHITE	304 SS	"G"	
N412363008SS3PTC	36.00x30.00x8.00 (914x762x203)	NP3630C	NP3630SSC	NP3630CG	34.2x28.2 (869x716)
N412202012SS3PTC	20.00x20.00x12.00 (508x508x305)	NP2020C	NP2020SSC	NP2020CG	18.2x18.2 (462x462)
N412242412SS3PTC	24.00x24.00x12.00 (610x610x305)	NP2424C	NP2424SSC	NP2424CG	22.2x22.2 (564x564)
N412302412SS3PTC	30.00x24.00x12.00 (762x610x305)	NP3024C	NP3024SSC	NP3024CG	28.2x22.2 (716x564)
N412362412SS3PTC	36.00x24.00x12.00 (914x610x305)	NP3624C	NP3624SSC	NP3624CG	34.2x22.2 (869x564)
N412363012SS3PTC	36.00x30.00x12.00 (914x762x305)	NP3630C	NP3630SSC	NP3630CG	34.2x28.2 (869x716)
N412363612SS3PTC	36.00x36.00x12.00 (914x914x305)	NP3636C	NP3636SSC	NP3636CG	34.2x34.2 (869x869)
N412423612SS3PTC	42.00x36.00x12.00 (1067x914x305)	NP4236C	NP4236SSC	NP4236CG	40.2x34.2 (1021x869)
N412483612SS3PTC**	48.00x36.00x12.00 (1219x914x305)	NP4836C	NP4836SSC	NP4836CG	46.2x34.2 (1173x869)
N412603612SS3PTC**	60.00x36.00x12.00 (1524x914x305)	NP6036C	NP6036SSC	NP6036CG	58.2x34.2 (1478x869)

N412 SSA3PTC SERIES SINGLE DOOR WALL MOUNT STAINLESS ENCLOSURES

CATALOG NUMBER	ENCLOSURE SIZE H X W X D	BACK PANEL CATALOG NUMBER*			BACK PANEL SIZE A X B
		WHITE	304 SS	"G"	
N412121206SSA3PTC	12.00x12.00x6.00 (305x305x152)	NP1212C	NP1212SSC	NP1212CG	10.2x10.2 (259x259)
N412161206SSA3PTC	16.00x12.00x6.00 (406x305x152)	NP1612C	NP1612SSC	NP1612CG	14.2x10.2 (361x259)
N412161606SSA3PTC	16.00x16.00x6.00 (406x406x152)	NP1616C	NP1616SSC	NP1616CG	14.2x14.2 (361x361)
N412201606SSA3PTC	20.00x16.00x6.00 (508x406x152)	NP2016C	NP2016SSC	NP2016CG	18.2x14.2 (462x361)
N412202006SSA3PTC	20.00x20.00x6.00 (508x508x152)	NP2020C	NP2020SSC	NP2020CG	18.2x18.2 (462x462)
N412161208SSA3PTC	16.00x12.00x8.00 (406x305x203)	NP1612C	NP1612SSC	NP1612CG	14.2x10.2 (361x259)
N412161608SSA3PTC	16.00x16.00x8.00 (406x406x203)	NP1616C	NP1616SSC	NP1616CG	14.2x14.2 (361x361)
N412162008SSA3PTC	16.00x20.00x8.00 (406x508x203)	NP1620C	NP1620SSC	NP1620CG	14.2x18.2 (361x462)
N412201608SSA3PTC	20.00x16.00x8.00 (508x406x203)	NP2016C	NP2016SSC	NP2016CG	18.2x14.2 (462x361)
N412202008SSA3PTC	20.00x20.00x8.00 (508x508x203)	NP2020C	NP2020SSC	NP2020CG	18.2x18.2 (462x462)
N412241608SSA3PTC	24.00x16.00x8.00 (610x406x203)	NP2416C	NP2416SSC	NP2416CG	22.2x14.2 (564x361)
N412242008SSA3PTC	24.00x20.00x8.00 (610x508x203)	NP2420C	NP2420SSC	NP2420CG	22.2x18.2 (564x462)
N412242408SSA3PTC	24.00x24.00x8.00 (610x610x203)	NP2424C	NP2424SSC	NP2424CG	22.2x22.2 (564x564)
N412302408SSA3PTC	30.00x24.00x8.00 (762x610x203)	NP3024C	NP3024SSC	NP3024CG	28.2x22.2 (716x564)
N412303008SSA3PTC	30.00x30.00x8.00 (762x762x203)	NP3030C	NP3030SSC	NP3030CG	28.2x28.2 (716x716)
N412362408SSA3PTC	36.00x24.00x8.00 (914x610x203)	NP3624C	NP3624SSC	NP3624CG	34.2x22.2 (869x564)
N412363008SSA3PTC	36.00x30.00x8.00 (914x762x203)	NP3630C	NP3630SSC	NP3630CG	34.2x28.2 (869x716)
N412202012SSA3PTC	20.00x20.00x12.00 (508x508x305)	NP2020C	NP2020SSC	NP2020CG	18.2x18.2 (462x462)
N412242412SSA3PTC	24.00x24.00x12.00 (610x610x305)	NP2424C	NP2424SSC	NP2424CG	22.2x22.2 (564x564)
N412302412SSA3PTC	30.00x24.00x12.00 (762x610x305)	NP3024C	NP3024SSC	NP3024CG	28.2x22.2 (716x564)
N412362412SSA3PTC	36.00x24.00x12.00 (914x610x305)	NP3624C	NP3624SSC	NP3624CG	34.2x22.2 (869x564)
N412363012SSA3PTC	36.00x30.00x12.00 (914x762x305)	NP3630C	NP3630SSC	NP3630CG	34.2x28.2 (869x716)
N412363612SSA3PTC	36.00x36.00x12.00 (914x914x305)	NP3636C	NP3636SSC	NP3636CG	34.2x34.2 (869x869)
N412423612SSA3PTC	42.00x36.00x12.00 (1067x914x305)	NP4236C	NP4236SSC	NP4236CG	40.2x34.2 (1021x869)
N412483612SSA3PTC**	48.00x36.00x12.00 (1219x914x305)	NP4836C	NP4836SSC	NP4836CG	46.2x34.2 (1173x869)
N412603612SSA3PTC**	60.00x36.00x12.00 (1524x914x305)	NP6036C	NP6036SSC	NP6036CG	58.2x34.2 (1478x869)

*Back panels must be ordered separately.

**Enclosures are supplied with closed cell neoprene gasket (not foam-in-place).



DETAIL A
(OPTIONAL MOUNTING FOOT)

Notes:

1. Large Print Pocket (8 X 10) is furnished if H=20.00" or more and W=20.00" or more. Otherwise, small (6 X 6) print pocket is provided.
2. Two Hinges provided when H<36.00".
Three Hinges provided when H=36.00" or greater.
Four Hinges provided when H=48.00" or greater.

**N412 - CSSST ULTIMATE SERIES SLOPE-TOP ENCLOSURES
NEMA 12, 13, 4 & 4X STAINLESS SINGLE DOOR**



N412201612CSSST

Industry Standards

UL 508 Listed, Types 4, 4X, 12 & 13
CSA Certified, Types 4, 4X & 12 & 13
NEMA/EEMAC Type 4, 4X, 12 & 13

 UL Files E64791

 CSA File LL66078

FEATURES-SPECIFICATIONS

Applications

Hubbell Wiegmann N412CSSST ULTIMATE Series Enclosures are designed to house and protect electrical and electronic components from harsh, dirty environments. For use in installations where dirt, dust, oil, water, or other contaminants are present. Streamlined styling, flush latching, and attractive durable finish complement any high tech electronic equipment.

Construction

- Bodies and doors fabricated from 14 gauge 304 stainless steel.
- Continuously Plasma welded seams
- Increased tub opening for better access

- 20° sloped top
- Sloped "Top tub flange"
- Concealed hinges
- Doors are interchangeable and easily removable
- Grounding provisions provided
- 1/4-turn semi-flush oil tight latches are supplied to hold door securely closed
- Print pocket is provided
- Doors are sealed with poured-in-place polyurethane gasket**
- Mounting holes in rear of enclosure
- Studs for mounting optional back panel (the Ultimate back panels

have increased in size to accommodate larger foot-print installations)

- Ultimate Accessory Driven

Finish

- All exterior surfaces have a smooth grained finish
- Optional back panels are white polyester powder
- Optional "G" panels have a conductive finish (See page I5)

Accessories

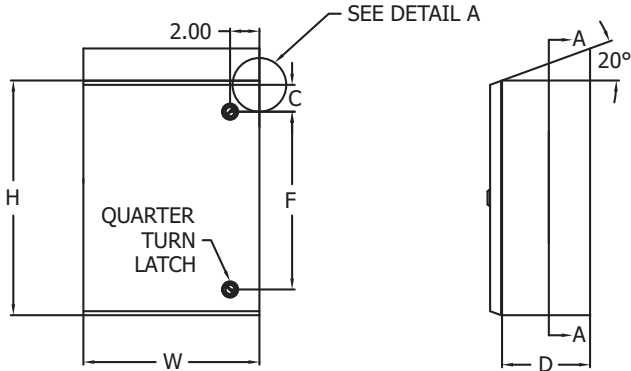
- Optional N412MFKSS mounting foot kit must be ordered separately**
- Back panels (see reference tables)
- See pages J1-J22.

N412 CSSST ULTIMATE SERIES ENCLOSURES NEMA 4X STAINLESS SLOPE TOP SINGLE DOOR					
CATALOG NUMBER	ENCLOSURE SIZE H X W X D	BACK PANEL CATALOG NUMBER*			BACK PANEL SIZE A X B
		WHITE	304 SS	"G"	
N412161208CSSST	16.00x12.00x 8.00 (406x305x203)	NP1612	NP1612SSC	NP1612G	14.2x10.2 (361x259)
N412161608CSSST	16.00x16.00x 8.00 (406x406x203)	NP1616	NP1616SSC	NP1616G	14.2x14.2 (361x361)
N412201608CSSST	20.00x16.00x 8.00 (508x406x203)	NP2016	NP2016SSC	NP2016G	18.2x14.2 (462x361)
N412201612CSSST	20.00x16.00x12.00 (508x406x305)	NP2016	NP2016SSC	NP2016G	18.2x14.2 (462x361)
N412202008CSSST	20.00x20.00x 8.00 (508x508x203)	NP2020	NP2020SSC	NP2020G	18.2x18.2 (462x462)
N412202012CSSST	20.00x20.00x12.00 (508x508x305)	NP2020	NP2020SSC	NP2020G	18.2x18.2 (462x462)
N412242008CSSST	24.00x20.00x 8.00 (610x508x203)	NP2420	NP2420SSC	NP2420G	22.2x18.2 (564x462)
N412242408CSSST	24.00x24.00x 8.00 (610x610x203)	NP2424	NP2424SSC	NP2424G	22.2x22.2 (564x564)
N412242412CSSST	24.00x24.00x12.00 (610x610x305)	NP2424	NP2424SSC	NP2424G	22.2x22.2 (564x564)
N412302408CSSST	30.00x24.00x 8.00 (762x610x203)	NP3024	NP3024SSC	NP3024G	28.2x22.2 (716x564)
N412302412CSSST	30.00x24.00x12.00 (762x610x305)	NP3024	NP3024SSC	NP3024G	28.2x22.2 (716x564)
N412303008CSSST	30.00x30.00x 8.00 (762x762x203)	NP3030	NP3030SSC	NP3030G	28.2x28.2 (716x716)
N412363008CSSST	36.00x30.00x 8.00 (914x762x203)	NP3630	NP3630SSC	NP3630G	34.2x28.2 (869x716)
N412363012CSSST	36.00x30.00x12.00 (914x762x305)	NP3630	NP3630SSC	NP3630G	34.2x28.2 (869x716)
N412363016CSSST	36.00x30.00x16.00 (914x762x406)	NP3630	NP3630SSC	NP3630G	34.2x28.2 (869x716)
N412363612CSSST	36.00x36.00x12.00 (914x914x305)	NP3636	NP3636SSC	NP3636G	34.2x34.2 (869x869)
N412483616CSSST**	48.00x36.00x16.00 (1219x914x406)	NP4836	NP4836SSC	NP4836G	46.2x34.2 (1173x869)
N412603616CSSST**	60.00x36.00x16.00 (1524x914x406)	NP6036	NP6036SSC	NP6036G	58.2x34.2 (1478x869)

*Back panels must be ordered separately.

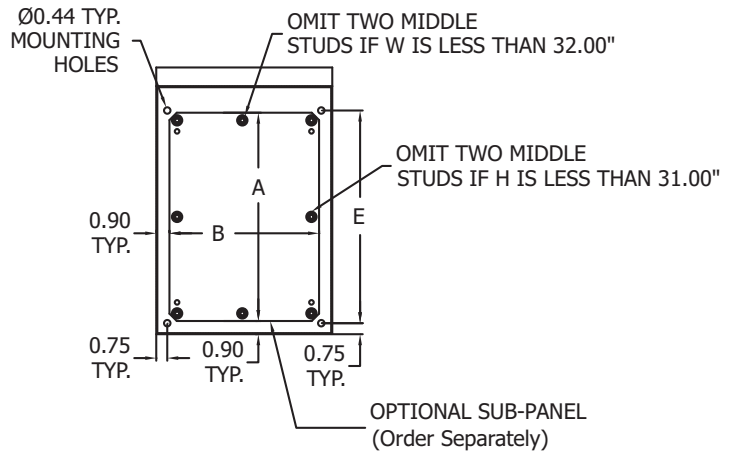
**Enclosures are supplied with closed cell neoprene gasket (not foam-in-place).

Continued on page E24

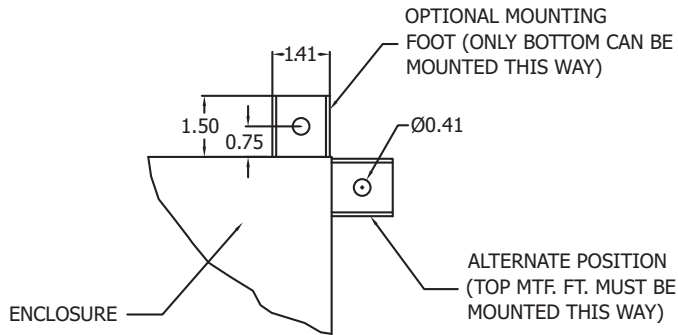


FRONT VIEW

RIGHT VIEW



SECTION A-A



**DETAIL A
(OPTIONAL MOUNTING FOOT)**

Notes:

1. Large Print Pocket (8 X 10) is furnished if H=20.00" or more and W=20.00" or more. Otherwise, small (6 X 6) print pocket is provided.
2. Two Hinges provided with H<36.00". Three Hinges provided when H=36.00" or greater. Four Hinges provided when H=48.00" or greater.

SSN4 - WF3PT SERIES ENCLOSURES NEMA 4X STAINLESS STEEL WALL MOUNT



SSN4244208WF3PT

Industry Standards

UL 508 Listed, Types 12, (4, 4X pending)
CSA Certified, Types 12, (4, 4X pending)
NEMA/EEMAC Type 12

 UL Files E64791

 CSA File LL66078

FEATURES-SPECIFICATIONS

Applications

SSN4WF Series are intended for use in housing electrical and electronic controls, instruments, components, and associated wiring, these enclosures incorporate double-hinged doors which provide convenient access. Designed for outdoor use in protecting components from dust, dirt, oil, and water..

Construction

- Bodies and doors fabricated from 14 gauge steel.
- Continuously welded seams ground smooth, less knockouts or holes.
- Body stiffeners are added in larger enclosures for extra rigidity.
- Rolled lip around all side of enclosure opening is provided to exclude liquids and contaminants.

- Two independent doors with removable center post.
- 3 PT 316L SS padlocking handles
- Doors are removable by pulling heavy gauge stainless continuous hinge pin.
- Doors are sealed with a poured in place polyurethane gasket.
- Collar studs are provided for mounting optional sub panels.
- External mounting feet are provided for mounting.
- Grounding provisions provided.
- Removable print pocket is provided

Finish

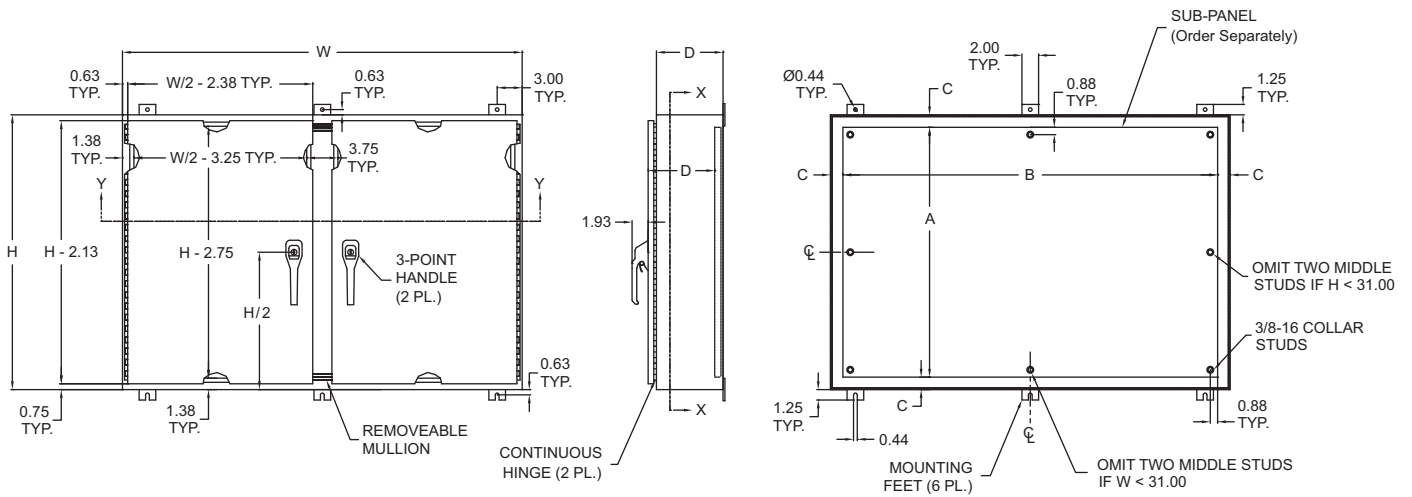
- Doors, sides, top, bottom have a grained smooth service.
- Optional back panels are white polyester powder
- Optional "G" panels have a conductive finish (See pages I5)

Accessories

- See pages I4 for Sub Panels
- Back panels (see reference tables)
- See pages J1-J22.

SSN4-WF3PT SERIES ENCLOSURES NEMA 4X STAINLESS STEEL WALL MOUNT							
CATALOG NUMBER	ENCLOSURE SIZE H X W X D	BACK PANEL CATALOG NUMBER*		BACK PANEL SIZE A X B	STIFFENER		
		WHITE	"G".		DOOR	BODY	
SSN4244208WF3PT	24.00x42.00x 8.00 (610x1067x203)	NP4224	NP4224G	21.00x39.00 (991x533)	No	No	
SSN4244808WF3PT	24.00x48.00x 8.00 (610x1219x203)	NP4824	NP4824G	21.00x45.00 (533x1143)	No	No	
SSN4304210WF3PT	30.00x42.00x10.00 (762x1067x254)	NP4230	NP4230G	27.00x39.00 (686x991)	No	No	
SSN4304810WF3PT	30.00x48.00x10.00 (762x1219x254)	NP4830	NP4830G	27.00x45.00 (1143x686)	No	No	
SSN4306010WF3PT	30.00x60.00x10.00 (762x1524x254)	NP6030	NP6030G	27.00x57.00 (686x1448)	No	No	
SSN4364212WF3PT	36.00x42.00x12.00 (914x1067x305)	NP4236	NP4236G	33.00x39.00 (838x991)	No	No	
SSN4364812WF3PT	36.00x48.00x12.00 (914x1219x305)	NP4836	NP4836G	33.00x45.00 (838x1143)	No	No	
SSN4366012WF3PT	36.00x60.00x12.00 (914x1524x305)	NP6036	NP6036G	33.00x57.00 (838x1448)	No	No	
SSN4424212WF3PT	42.00x42.00x12.00 (1067x1067x305)	NPDD4242	NPDD4242G	39.00x39.00 (991x991)	No	Yes	
SSN4424812WF3PT	42.00x48.00x12.00 (1067x1219x305)	NPDD4842	NPDD4842G	39.00x45.00 (991x1143)	No	Yes	
SSN4426012WF3PT	42.00x60.00x12.00 (1067x1524x305)	NPDD4260	NPDD4260G	38.00x56.00 (965x1422)	No	Yes	
SSN4484812WF3PT	48.00x48.00x12.00 (1219x1219x305)	NPDD4848	NPDD4848G	44.00x44.00 (1118x1118)	No	Yes	

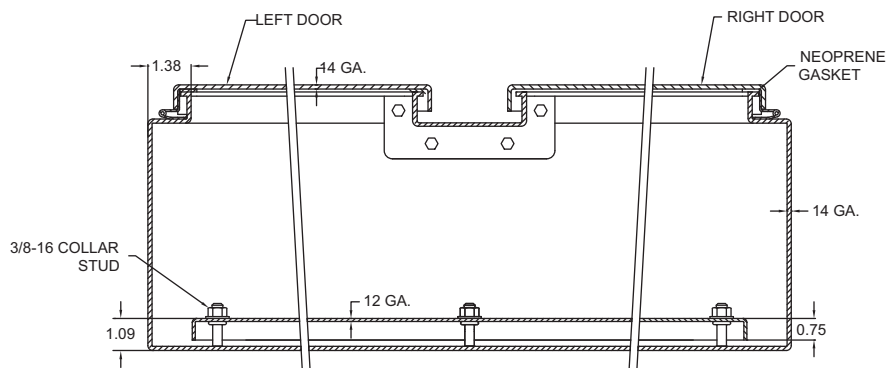
*Back panels must be ordered separately.



FRONT VIEW

SIDE VIEW

SECTION X-X



SECTION Y-Y
NOT TO SCALE

SSN4 SERIES ENCLOSURES NEMA 4X SINGLE DOOR WALL-MOUNT



SSN4161206

Industry Standards

UL 508, Types 4, 4X, 12 & 13
CSA Certified, Types 4 & 12
NEMA/EEMAC Type 4, 4X, 12 & 13

 UL Files E64791

 CSA File LL66078

FEATURES-SPECIFICATIONS

Applications

Provides unmatched protection for housing electrical components in highly corrosive environments. This enclosure is used in indoor and outdoor settings that are frequently wet or have constant exposure to water, other liquids, or contaminants.

A wide variety of type 316L stainless steel enclosures are available specifically for applications in food processing plants and offshore oil exploration.

Construction

- Bodies and doors fabricated from 14 gauge type 304 or 316L stainless steel. 316L stainless steel has the best corrosion resistance of the standard types of stainless steel available

- Continuously plasma welded seams
- Door and body stiffeners are included in larger enclosures for added rigidity
- A rolled lip around three sides of door and all sides of enclosure opening provided to exclude liquids and contaminants
- Quick and easy to operate stainless steel door clamps are provided
- Hasp and staple is provided for padlocking
- Doors are sealed with poured-in-place polyurethane gasket
- Collar studs for mounting optional back panels
- Print pocket is provided
- External mounting feet are provided for mounting enclosures
- Grounding provisions provided

Finish

- All exterior surfaces of enclosures have a smooth grained finish
- Optional back panels are white polyester powder (See page I4)
- Optional "G" panels have a conductive finish (See page I4)

Accessories

- Back panels (reference tables)
- See pages J1-J22

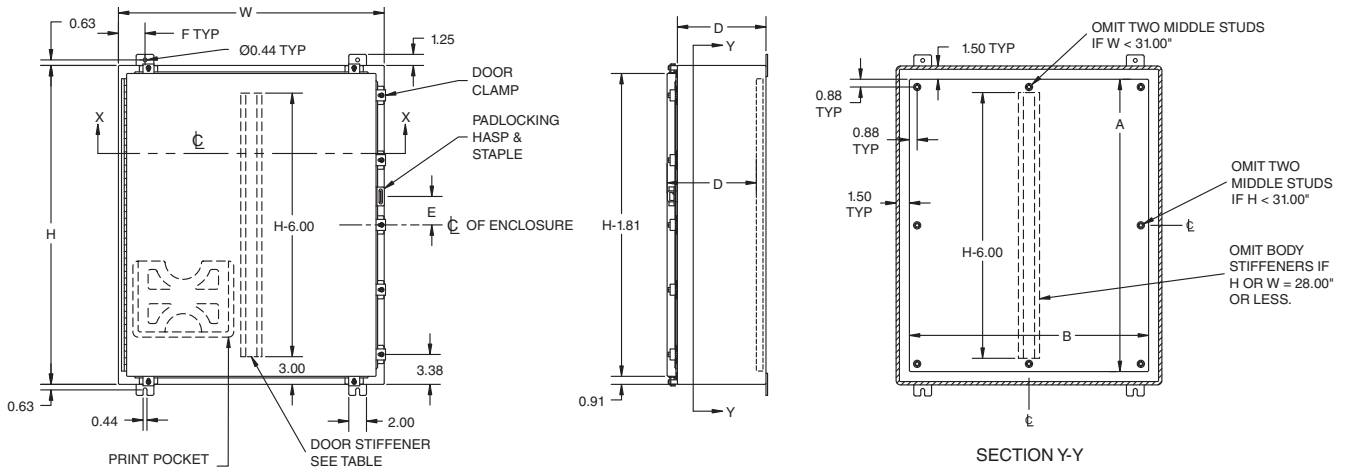
SSN4 SERIES SINGLE DOOR STAINLESS ENCLOSURES									
CATALOG NUMBER		ENCLOSURE SIZE H X W X D	BACK PANEL CATALOG NUMBER*			BACK PANEL SIZE A X B	STIFFENER		E
304 SS	316L SS		WHITE	304 SS	"G"		DOOR	BODY	
SSN4161206	SSN4161206A	16.00x12.00x6.00 (406x305x152)	NP1612	NP1612SS	NP1612G	13.00x 9.00 (330x229)	No	No	—
SSN4161606	SSN4161606A	16.00x16.00x6.00 (406x406x152)	NP1616	NP1616SS	NP1616G	13.00x13.00 (330x330)	No	No	—
SSN4162006	SSN4162006A	16.00x20.00x6.00 (406x508x152)	NP2016	NP2016SS	NP2016G	13.00x17.00 (330x432)	No	No	—
SSN4201606	SSN4201606A	20.00x16.00x6.00 (508x406x152)	NP2016	NP2016SS	NP2016G	17.00x13.00 (432x330)	No	No	—
SSN4202006	SSN4202006A	20.00x20.00x6.00 (508x508x152)	NP2020	NP2020SS	NP2020G	17.00x17.00 (432x432)	No	No	—
SSN4242006	SSN4242006A	24.00x20.00x6.00 (610x508x152)	NP2420	NP2420SS	NP2420G	21.00x17.00 (533x432)	No	No	4.313 (110)
—	SSN4242406A	24.00x24.00x6.00 (610x610x152)	NP2424	NP2424SS	NP2424G	21.00x21.00 (533x533)	No	No	4.313 (110)
SSN4161208	SSN4161208A	16.00x12.00x8.00 (406x305x203)	NP1612	NP1612SS	NP1612G	13.00x 9.00 (330x229)	No	No	—
SSN4201608	SSN4201608A	20.00x16.00x8.00 (508x406x203)	NP2016	NP2016SS	NP2016G	17.00x13.00 (432x330)	No	No	—
—	SSN4202008A	20.00x20.00x8.00 (508x508x203)	NP2020	NP2020SS	NP2020G	17.00x17.00 (432x432)	No	No	—
SSN4202408	SSN4202408A	20.00x24.00x8.00 (508x610x203)	NP2420	NP2420SS	NP2420G	17.00x21.00 (432x533)	No	No	—
SSN4241608	SSN4241608A	24.00x16.00x8.00 (610x406x203)	NP2416	NP2416SS	NP2416G	21.00x13.00 (533x330)	No	No	4.313 (110)
SSN4242008	SSN4242008A	24.00x20.00x8.00 (610x508x203)	NP2420	NP2420SS	NP2420G	21.00x17.00 (533x432)	No	No	4.313 (110)
SSN4242408	SSN4242408A	24.00x24.00x8.00 (610x610x203)	NP2424	NP2424SS	NP2424G	21.00x21.00 (533x533)	No	No	4.313 (110)
SSN4243008	SSN4243008A	24.00x30.00x8.00 (610x762x203)	NP3024	NP3024SS	NP3024G	21.00x27.00 (533x686)	No	No	4.313 (110)
SSN4302008	SSN4302008A	30.00x20.00x8.00 (762x508x203)	NP3020	NP3020SS	NP3020G	27.00x17.00 (686x432)	No	No	5.813 (148)

*Back panels must be ordered separately.

Continued on page E28

SSN4 SERIES SINGLE DOOR STAINLESS ENCLOSURES (CONT.)									
CATALOG NUMBER		ENCLOSURE SIZE H X W X D	BACK PANEL CATALOG NUMBER*			BACK PANEL SIZE A X B	STIFFENER		E
304 SS	316L SS		WHITE	304 SS	"G"		DOOR	BODY	
SSN4302408	SSN4302408A	30.00x24.00x8.00 (762x610x203)	NP3024	NP3024SS	NP3024G	27.00x21.00 (686x533)	No	No	5.813 (148)
SSN4303008	SSN4303008A	30.00x30.00x8.00 (762x762x203)	NP3030	NP3030SS	NP3030G	27.00x27.00 (686x686)	No	Yes	5.813 (148)
SSN4362408	SSN4362408A	36.00x24.00x8.00 (914x610x203)	NP3624	NP3624SS	NP3624G	33.00x21.00 (838x533)	No	No	7.313 (186)
SSN4363008	SSN4363008A	36.00x30.00x8.00 (914x762x203)	NP3630	NP3630SS	NP3630G	33.00x27.00 (838x686)	No	Yes	7.313 (186)
SSN4423608	SSN4423608A	42.00x36.00x8.00 (1067x914x203)	NP4236	NP4236SS	NP4236G	39.00x33.00 (991x838)	Yes	Yes	—
SSN4483608	SSN4483608A	48.00x36.00x8.00 (1219x914x203)	NP4836	NP4836SS	NP4836G	45.00x33.00 (1143x838)	Yes	Yes	—
SSN4201610	SSN4201610A	20.00x16.00x10.00 (508x406x254)	NP2016	NP2016SS	NP2016G	17.00x13.00 (432x330)	No	No	—
SSN4242010	SSN4242010A	24.00x20.00x10.00 (610x508x254)	NP2420	NP2420SS	NP2420G	21.00x17.00 (533x432)	No	No	4.313 (110)
SSN4302410	SSN4302410A	30.00x24.00x10.00 (762x610x254)	NP3024	NP3024SS	NP3024G	27.00x21.00 (686x533)	No	No	5.813 (148)
SSN4362410	SSN4362410A	36.00x24.00x10.00 (914x610x254)	NP3624	NP3624SS	NP3624G	33.00x21.00 (838x533)	No	No	7.313 (186)
SSN4363010	SSN4363010A	36.00x30.00x10.00 (914x762x254)	NP3630	NP3630SS	NP3630G	33.00x27.00 (838x686)	No	Yes	7.313 (186)
SSN4423010	SSN4423010A	42.00x30.00x10.00 (1067x762x254)	NP4230	NP4230SS	NP4230G	39.00x27.00 (991x686)	Yes	Yes	—
SSN4483610	SSN4483610A	48.00x36.00x10.00 (1219x914x254)	NP4836	NP4836SS	NP4836G	45.00x33.00 (1143x838)	Yes	Yes	—
SSN424212	SSN424212A	24.00x24.00x12.00 (610x610x305)	NP2424	NP2424SS	NP2424G	21.00x21.00 (533x533)	No	No	4.313 (110)
SSN4302412	SSN4302412A	30.00x24.00x12.00 (762x610x305)	NP3024	NP3024SS	NP3024G	27.00x21.00 (686x533)	No	No	5.813 (148)
SSN4363012	SSN4363012A	36.00x30.00x12.00 (914x762x305)	NP3630	NP3630SS	NP3630G	33.00x27.00 (838x686)	No	Yes	7.313 (186)
SSN4363612	SSN4363612A	36.00x36.00x12.00 (914x914x305)	NP3636	NP3636SS	NP3636G	33.00x33.00 (838x838)	Yes	Yes	7.313 (186)
SSN4483612**	SSN4483612A	48.00x36.00x12.00 (1219x914x305)	NP4836	NP4836SS	NP4836G	45.00x33.00 (1143x838)	Yes	Yes	—
SSN4603612**	SSN4603612A	60.00x36.00x12.00 (1524x914x305)	NP6036	NP6036SS	NP6036G	57.00x33.00 (1448x838)	Yes	Yes	6.656 (169)
SSN4302416**	SSN4302416A	30.00x24.00x16.00 (762x610x406)	NP3024	NP3024SS	NP3024G	27.00x21.00 (686x533)	No	No	5.813 (148)
SSN4363016**	SSN4363016A	36.00x30.00x16.00 (914x762x406)	NP3630	NP3630SS	NP3630G	33.00x27.00 (838x686)	No	Yes	7.313 (186)
SSN4483616**	SSN4483616A	48.00x36.00x16.00 (1219x914x406)	NP4836	NP4836SS	NP4836G	45.00x33.00 (1143x838)	Yes	Yes	—
SSN4603616**	SSN4603616A	60.00x36.00x16.00 (1524x914x406)	NP6036	NP6036SS	NP6036G	57.00x33.00 (1448x838)	Yes	Yes	6.656 (169)

*Back panels must be ordered separately **Enclosures are supplied with closed cell neoprene gasket (not foam-in-place).



NOTES:

1. Large print pocket (8x10) is furnished if H = 20.00" or more and W = 20.00" or more. Otherwise small (6x6) print pocket is provided.
2. Panels are made from 12 Ga. steel.
3. Panels have flanges along all sides when either dimension exceeds 17".
4. The number of door clamps is dependent on size of enclosure. Clamps are furnished along three sides of door.
5. F = 3" when W is 16" or greater and 1-1/4" when W is 12" or less.



ALN4161206

Industry Standards

UL 508, Types 4, 4X, 12 & 13
CSA Certified, Types 4 & 12
NEMA/EEMAC Types 4, 12 & 13

 UL File E64791

 CSA File LL66078

FEATURES-SPECIFICATIONS
Applications

This lightweight enclosure provides long-lasting protection for housing electrical components in highly corrosive environments. It is used in both indoor and outdoor settings that are frequently wet or have constant exposure to water, other liquids, or contaminants. Suitable for use in petro-chemical plants, sewage plants, marine environments, and similar installations.

Construction

- Bodies and doors fabricated from .080-inch thick (2 millimeters) 5052-H32 aluminum
- Continuously welded seams ground smooth, no holes or knockouts

- Door and body stiffeners are provided in larger enclosures for extra rigidity
- Rolled lip on three sides of door and all sides of enclosure opening is provided to exclude liquids and contaminants
- Quick and easy to operate stainless steel door clamps are provided
- Doors are removable by pulling stainless steel continuous hinge pin
- Hasp and staple for padlocking
- Print pocket is provided
- Closed cell oil resistant neoprene gasket
- Collar studs provided for mounting optional sub panels
- External mounting feet for mounting enclosure

- Grounding provisions provided
- **Optional** back panels must be ordered separately

Finish

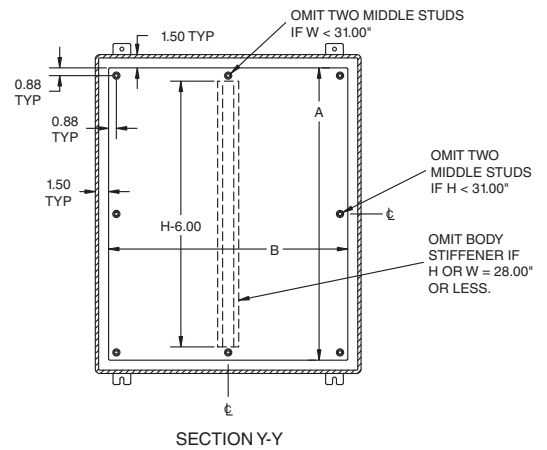
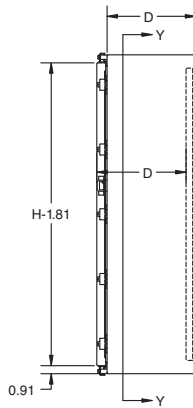
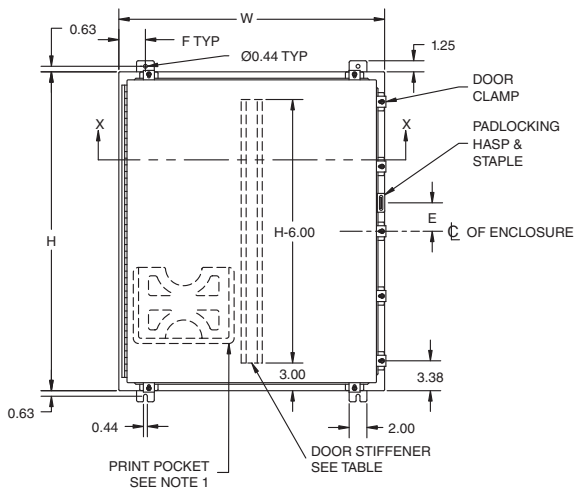
- All exterior surfaces of enclosures have a smooth grained finish
- **Optional** aluminum back panels are unpainted (See page 14)
- **Optional** steel back panels are white polyester powder (See page 14)

Accessories

- Back panels (reference tables)
- See pages J1-J22

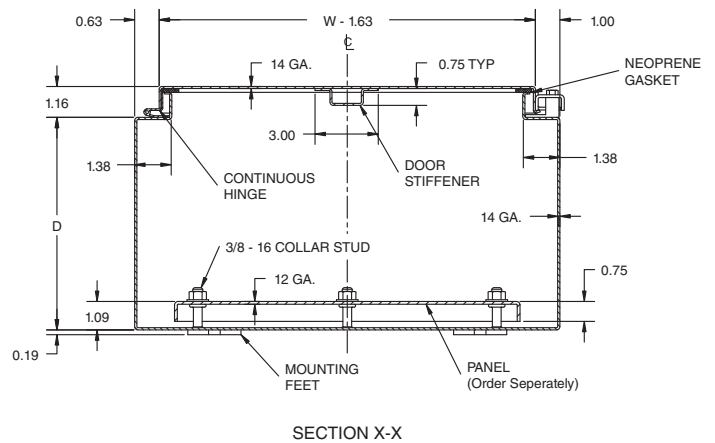
ALN4 SERIES SINGLE DOOR ALUMINUM ENCLOSURES									
CATALOG NUMBER	ENCLOSURE SIZE H X W X D	BACK PANEL CATALOG NUMBER*		BACK PANEL SIZE A X B	F	STIFFENER		E	
		WHITE	ALUM.			DOOR	BODY		
ALN4161206	16.00x12.00x6.00 (406x305x152)	NP1612	ALNP1612	13.00x 9.00 (330x229)	1.25 (32)	No	No	—	
ALN4201606	20.00x16.00x 6.00 (508x406x152)	NP2016	ALNP2016	17.00x13.00 (432x330)	3.00 (76)	No	No	—	
ALN4202006	20.00x20.00x 6.00 (508x508x152)	NP2020	ALNP2020	17.00x17.00 (432x432)	3.00 (76)	No	No	—	
ALN4242006	24.00x20.00x 6.00 (610x508x152)	NP2420	ALNP2420	21.00x17.00 (533x432)	3.00 (76)	No	No	4.313 (110)	
ALN4161608	16.00x16.00x 8.00 (406x406x203)	NP1616	ALNP1616	13.00x13.00 (330x330)	3.00 (76)	No	No	—	
ALN4242408	24.00x24.00x 8.00 (610x610x203)	NP2424	ALNP2424	21.00x21.00 (533x533)	3.00 (76)	No	No	4.313 (110)	
ALN4302408	30.00x24.00x 8.00 (762x610x203)	NP3024	ALNP3024	27.00x21.00 (686x533)	3.00 (76)	No	No	5.813 (148)	
ALN4362408	36.00x24.00x 8.00 (914x610x203)	NP3624	ALNP3624	33.00x21.00 (838x533)	3.00 (76)	No	No	7.313 (186)	
ALN4363008	36.00x30.00x 8.00 (914x762x203)	NP3630	ALNP3630	33.00x27.00 (838x686)	3.00 (76)	No	Yes	7.313 (186)	
ALN4483608	48.00x36.00x 8.00 (1219x914x203)	NP4836	ALNP4836	45.00x33.00 (1143x838)	3.00 (76)	Yes	Yes	—	
ALN4201610	20.00x16.00x10.00 (508x406x254)	NP2016	ALNP2016	17.00x13.00 (432x330)	3.00 (76)	No	No	—	
ALN4242010	24.00x20.00x10.00 (610x508x254)	NP2420	ALNP2420	21.00x17.00 (533x432)	3.00 (76)	No	No	4.313 (110)	
ALN4242410	24.00x24.00x10.00 (610x610x254)	NP2424	ALNP2424	21.00x21.00 (533x533)	3.00 (76)	No	No	4.313 (110)	
ALN4302412	30.00x24.00x12.00 (762x610x305)	NP3024	ALNP3024	27.00x21.00 (686x533)	3.00 (76)	No	No	5.813 (148)	
ALN4363012	36.00x30.00x12.00 (914x762x305)	NP3630	ALNP3630	33.00x27.00 (838x686)	3.00 (76)	No	Yes	7.313 (186)	
ALN4603612	60.00x36.00x12.00 (1524x914x305)	NP6036	ALNP6036	57.00x33.00 (1448x838)	3.00 (76)	Yes	Yes	6.656 (169)	

*Back panels must be ordered separately.



NOTES:

1. Large print pocket (8X10) is furnished if H = 20.00" or more and W = 20.00" or more. Otherwise small (6X6) print pocket is provided.
2. Panels made from 12 Ga. steel or 10 Ga. Aluminum.
3. Panels have flanges along all sides when either dimension exceeds 17".
4. The number of door clamps is dependent on size of enclosure. Clamps are furnished along three sides of door.
5. F = 3" when W is 16" or greater and 1-1/4" when W is 12" or less.



SSN4 - 3PT SERIES ENCLOSURES NEMA 4X 304 & 316L SS SINGLE DOOR WALL-MOUNT



SSN42420063PT

Industry Standards

UL 508, Types 4, 4X, 12 & 13
CSA Certified, Types 4 & 12
NEMA/EEMAC Types 4, 12 & 13

 UL File E64791

 CSA File LL66078

FEATURES-SPECIFICATIONS

Applications

Provides unmatched protection for housing electrical components in highly corrosive environments. This enclosure is used in indoor and outdoor settings that are frequently wet or have constant exposure to water, other liquids, or contaminants.

A wide variety of type 316L stainless steel enclosures are available specifically for applications in food processing plants and offshore oil exploration.

Construction

- Bodies and doors fabricated from 14 gauge type 304 or 316L stainless steel. 316L stainless steel has the best corrosion resistance of the standard types of stainless steel available

- Continuously plasma welded seams
- Door and body stiffeners are included in larger enclosures for added rigidity
- A rolled lip around three sides of door and all sides of enclosure opening provided to exclude liquids and contaminants
- Quick and easy to operate stainless steel door clamps are provided
- Doors are sealed with poured-in-place polyurethane gasket
- Collar studs for mounting optional back panels
- With a 3PT 316L SS padlocking handle
- Print pocket is provided
- External mounting feet are provided for mounting enclosures
- Grounding provisions provided

Finish

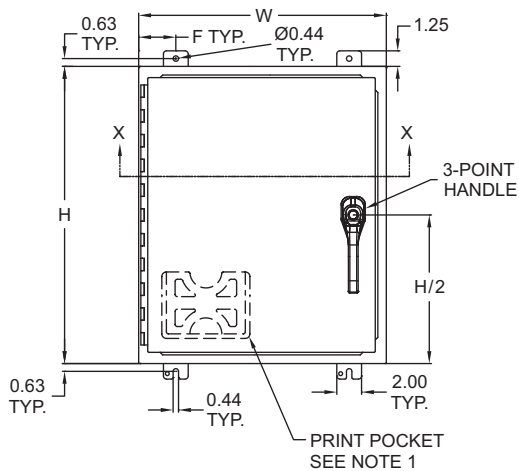
- All exterior surfaces of enclosures have a smooth grained finish
- Optional back panels are white polyester powder
- Optional "G" panels have a conductive finish (See page I4)

Accessories

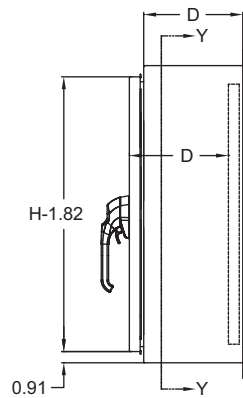
- Back panels (reference tables)
- See pages J1-J22

SSN4 3PT SERIES SINGLE DOOR STAINLESS ENCLOSURES									
CATALOG NUMBER		ENCLOSURE SIZE H X W X D	BACK PANEL CATALOG NUMBER*			BACK PANEL SIZE A X B	STIFFENER		
304 SS	316L SS		WHITE	304 SS	"G"		DOOR	BODY	
SSN42420063PT	—	24.00x20.00x 6.00 (610x508x152)	NP2420	NP2420SS	NP2420G	21.00x17.00 (533x432)	No	No	
SSN42420083PT	SSN42420083PTA	24.00x20.00x 8.00 (610x508x203)	NP2420	NP2420SS	NP2420G	21.00x17.00 (533x432)	No	No	
SSN42420103PT	SSN42420103PTA	24.00x20.00x10.00 (610x610x254)	NP2420	NP2420SS	NP2420G	21.00x17.00 (533x432)	No	No	
SSN42424083PT	SSN42424083PTA	24.00x24.00x 8.00 (610x610x203)	NP2424	NP2424SS	NP2424G	21.00x21.00 (533x533)	No	No	
SSN42424123PT	SSN42424123PTA	24.00x24.00x12.00 (610x610x305)	NP2424	NP2424SS	NP2424G	21.00x21.00 (533x533)	No	No	
SSN43024083PT	SSN43024083PTA	30.00x24.00x 8.00 (762x610x203)	NP3024	NP3024SS	NP3024G	27.00x21.00 (686x533)	No	No	
SSN43024123PT	SSN43024123PTA	30.00x24.00x12.00 (762x610x305)	NP3024	NP3024SS	NP3024G	27.00x21.00 (686x533)	No	No	
SSN43030083PT	SSN43030083PTA	30.00x30.00x 8.00 (762x762x203)	NP3030	NP3030SS	NP3030G	27.00x27.00 (686x686)	No	Yes	
SSN43624083PT	SSN43624083PTA	36.00x24.00x 8.00 (914x610x203)	NP3624	NP3624SS	NP3624G	33.00x21.00 (838x533)	No	No	
SSN43630083PT	SSN43630083PTA	36.00x30.00x 8.00 (914x762x203)	NP3630	NP3630SS	NP3630G	33.00x27.00 (838x686)	No	Yes	
SSN43630103PT	SSN43630103PTA	36.00x30.00x10.00 (914x762x254)	NP3630	NP3630SS	NP3630G	33.00x27.00 (838x686)	No	No	
SSN43630123PT	SSN43630123PTA	36.00x30.00x12.00 (914x762x305)	NP3630	NP3630SS	NP3630G	33.00x27.00 (838x686)	No	No	
SSN43636123PT	SSN43636123PTA	36.00x36.00x12.00 (914x914x305)	NP3636	NP3636SS	NP3636G	33.00x33.00 (838x838)	No	No	

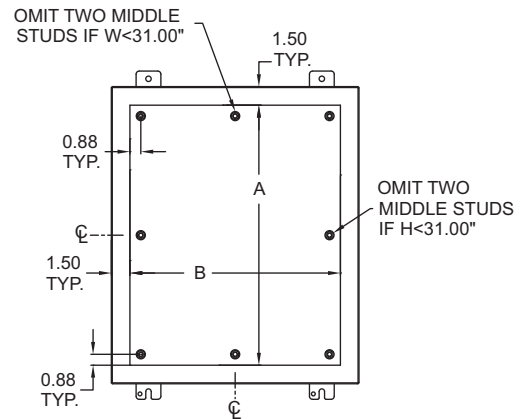
*Back panels must be ordered separately.



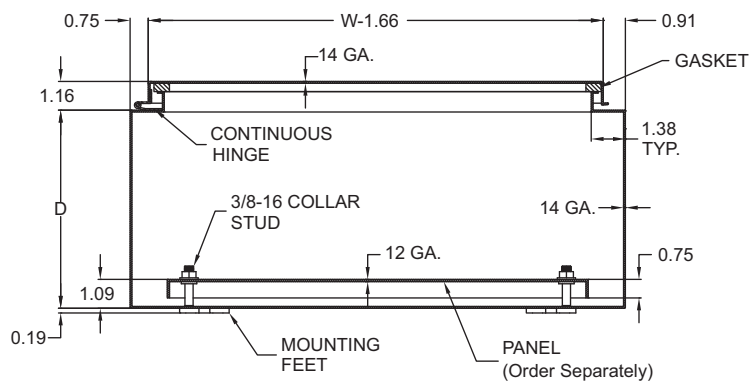
FRONT VIEW



SIDE VIEW



SECTION Y-Y



SECTION X-X

Notes:

1. Large Print Pocket (8 X 10) is furnished if H=20.00" or more and W=20.00" or more. Otherwise, small (6 X 6) print pocket is provided.
2. Panels are made from 12 Ga. steel.
3. Panels have flanges along all sides when either dimension exceeds 17.00".
4. F = 3.00" when W is 16.00" or greater and 1-1/4" when W is 12.00" or less.

**SSN4-3PTW SERIES ENCLOSURES
(PAINTED WHITE) NEMA 4X SINGLE DOOR WALL-MOUNT**


SSN43024083PTW

Industry Standards

UL 508, Types 12 & 13
(Types 4 & 4X pending)
CSA Certified, Types 12 & 13
(Types 4 & 4X pending)
NEMA/EEMAC Types 12 & 13

UL File E64791

CSA File LL66078

FEATURES-SPECIFICATIONS
Applications

SSN43PTW Series provides unmatched protection for housing electrical components in highly corrosive environments. This enclosure is used in indoor and outdoor settings that are frequently wet or have constant exposure to water, other liquids, or contaminants.

A wide variety of type 316L stainless steel enclosures are available specifically for applications in food processing plants and offshore oil exploration.

Construction

- Bodies and doors fabricated from 14 gauge type 304 or 316L stainless steel. 316L stainless steel has the best corrosion resistance of the standard types of stainless steel available

- Continuously welded seams ground smooth, less holes or knockouts
- Door and body stiffeners are included in larger enclosures for added rigidity
- A rolled lip around three sides of door and all sides of enclosure opening provided to exclude liquids and contaminants
- Quick and easy to operate 3PT padlocking handle installed
- Doors are removable by pulling stainless steel continuous hinge pin
- Doors are sealed with poured-in-place polyurethane gasket
- Collar studs for mounting optional back panels
- Removable print pocket is included
- External mounting feet are provided for mounting enclosures
- Grounding provisions provided

Finish

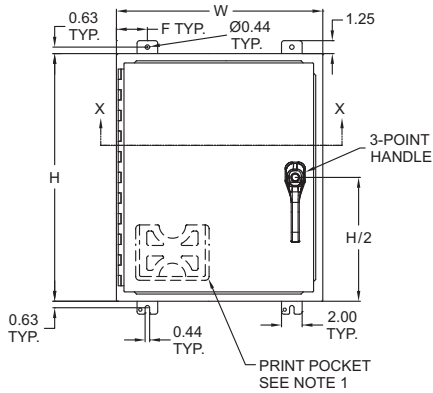
- White polyester powder inside and out over stainless
- Optional back panels are white polyester powder over phosphatized surfaces
- Optional "G" panels have a conductive finish (See page 14)

Accessories

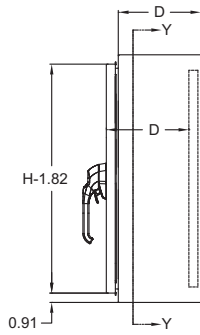
- Back panels (reference tables)
- See pages 14

SSN4-3PTW SERIES WHITE SINGLE DOOR N4X ENCLOSURES								
CATALOG NUMBER	ENCLOSURE SIZE H X W X D	BACK PANEL CATALOG NUMBER*			BACK PANEL SIZE A X B	STIFFENER		
		WHITE	304 SS	"G"		DOOR	BODY	
SSN42424083PTW	24.00x24.00x 8.00 (610x610x203)	NP2424	NP2424SS	NP2424G	21.00x21.00 (533x533)	No	No	
SSN42424123PTW	24.00x24.00x12.00 (610x610x305)	NP2424	NP2424SS	NP2424G	21.00x21.00 (533x533)	No	No	
SSN43024083PTW	30.00x24.00x 8.00 (762x610x203)	NP3024	NP3024SS	NP3024G	27.00x21.00 (686x533)	No	No	
SSN43630123PTW	36.00x30.00x12.00 (914x762x305)	NP3630	NP3630SS	NP3630G	33.00x27.00 (838x686)	No	Yes	
SSN43636123PTW	36.00x36.00x12.00 (914x914x305)	NP3636	NP3636SS	NP3636G	33.00x33.00 (838x838)	Yes	Yes	
SSN44236123PTW	42.00x36.00x12.00 (1067x914x305)	NP4236	NP4236SS	NP4236G	33.00x33.00 (838x838)	Yes	Yes	
SSN44836123PTW	48.00x36.00x12.00 (1219x914x305)	NP4836	NP4836SS	NP4836G	39.00x33.00 (991x838)	Yes	Yes	
SSN44836163PTW	48.00x36.00x16.00 (1219x914x406)	NP4836	NP4836SS	NP4836G	39.00x33.00 (991x838)	Yes	Yes	
SSN46036123PTW	60.00x36.00x12.00 (1524x914x305)	NP6036	NP6036SS	NP6036G	57.00x33.00 (1448x838)	Yes	Yes	

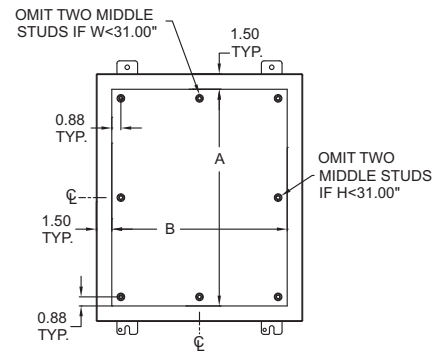
*Back panels must be ordered separately.



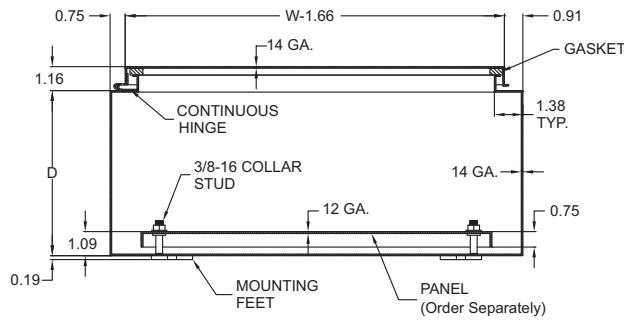
FRONT VIEW



SIDE VIEW



SECTION Y-Y



SECTION X-X

Notes:

1. Large Print Pocket (8 X 10) is furnished if H=20.00" or more and W=20.00" or more. Otherwise, small (6 X 6) print pocket is provided.
2. Panels are made from 12 Ga. steel.
3. Panels have flanges along all sides when either dimension exceeds 17.00".
4. F = 3.00" when W is 16.00" or greater and 1-1/4" when W is 12.00" or less.

SSN4D SERIES ENCLOSURES NEMA 4X TWO DOOR FLOOR-MOUNT



SSN4D624812

Industry Standards

UL 508, Types 4, 4X & 12

CSA Certified, Type 4 & 12

NEMA/EEMAC Types 4, 4X & 12

 UL File E64791

 CSA File LL66078

FEATURES-SPECIFICATIONS

Applications

This two door enclosure provides industry leading protection for systems incorporating large components or complex mounting configurations in highly corrosive environments. It is typically used in the following areas: food processing plants, pharmaceutical manufacturing facilities, petrochemical plants, pulp and paper processing, and waste water treatment facilities.

Construction

- Bodies and doors fabricated from 12 gauge 304 stainless steel
- Continuously welded seams ground smooth, less knockouts or holes
- X-type body stiffeners are added for extra strength

- Rolled lip around three sides of door and along top of enclosures opening excludes liquids and contaminants from entering
- Quick and easy to operate stainless steel door clamps around three sides of doors are provided
- Heavy gauge stainless steel continuous hinges are provided
- Doors are removable by pulling stainless steel continuous hinge pin
- Hasp and staple are provided for padlocking
- Print pocket is provided
- Standard 12" high floor kits are welded to bottom of enclosure
- Heavy duty removable lifting eyes
- Collar studs for mounting optional panels

- Easily removable center post permits easy panel installations
- Doors are sealed with poured in place polyurethane gasket
- Grounding provisions provided

Finish

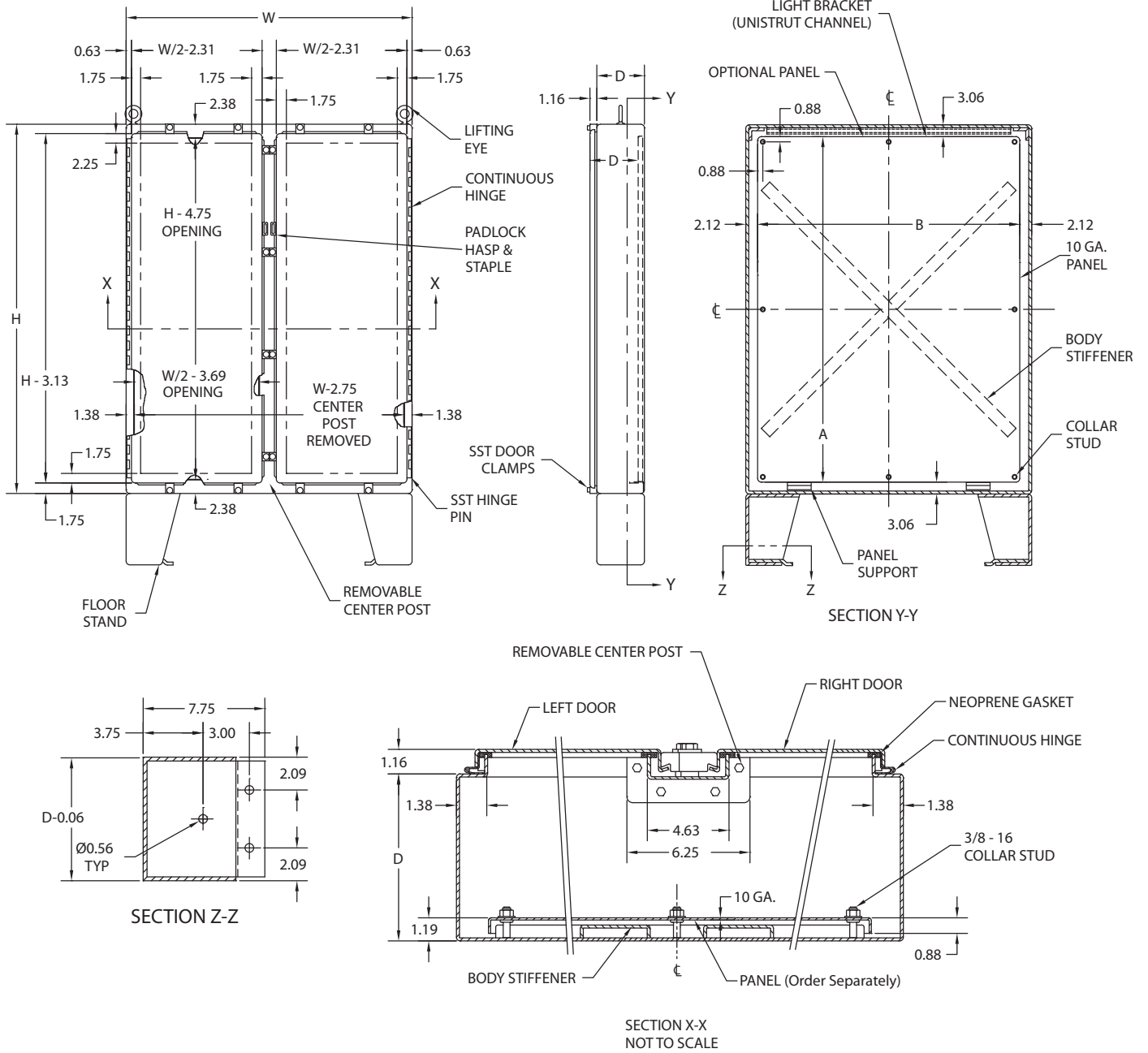
- Enclosures have a smooth grained finish on all exterior surfaces
- Optional back panels are white polyester powder (See page I7)
- Optional "G" panels have a conductive finish (See page I7)

Accessories

- Back panels (reference tables)
- See pages J1-J22

SSN4D SERIES TWO DOOR STAINLESS ENCLOSURES					
CATALOG NUMBER	BODY/DOOR STEEL GAUGE	ENCLOSURE SIZE H X W X D	BACK PANEL CATALOG NUMBER*		BACK PANEL SIZE A X B
			WHITE	"G"	
SSN4D624812	12/12	62.12x48.12x12.12 (1578x1222x308)	NPDD6048	NPDD6048G	56.00x44.00 (1422x1118)
SSN4D626012	12/12	62.12x60.12x12.12 (1578x1527x308)	NPDD6060	NPDD6060G	56.00x56.00 (1422x1422)
SSN4D746012	12/12	74.12x60.12x12.12 (1883x1527x308)	NPDD7260	NPDD7260G	68.00x56.00 (1727x1422)
SSN4D747212	12/12	74.12x72.12x12.12 (1883x1832x308)	NPDD7272	NPDD7272G	68.00x68.00 (1727x1727)
SSN4D747224	12/12	74.12x72.12x24.12 (1883x1832x613)	NPDD7272	NPDD7272G	68.00x68.00 (1727x1727)

*Back panels must be ordered separately.




Industry Standards

UL 508, Types 3, 4, 4X & 12
CSA Certified, Type 3, 4 & 12
NEMA/EEMAC Types 3, 4, 4X & 12

 UL File E64791

 CSA File LL66078

FEATURES-SPECIFICATIONS
Applications

Designed to house electrical and electronic controls, terminals, and instruments in areas that are regularly hosed down or are otherwise very wet. Also suitable for outdoor applications.

Construction

- Bodies and doors fabricated from 12 gauge 304 and 316L stainless steel
- Continuously welded seams ground smooth, less knockouts or holes
- "Uni-strut" mounting channels are welded horizontally to interior body sides, top, bottom and center
- **Optional** swing, half, full and rack panels can be mounted anywhere along "uni-strut" channel

- Rolled lip around three sides of door and along top of enclosures opening excludes liquids and contaminants from entering
- Quick and easy to operate stainless steel door clamps around three sides of doors
- Heavy gauge continuous hinge with stainless steel hinge pin
- Doors are removable by pulling stainless steel continuous hinge pin
- Hasp and staple are provided for padlocking
- Print pocket is provided
- Heavy duty removable lifting eyes

- Doors are sealed with poured in place polyurethane gasket
- Grounding provisions provided

Finish

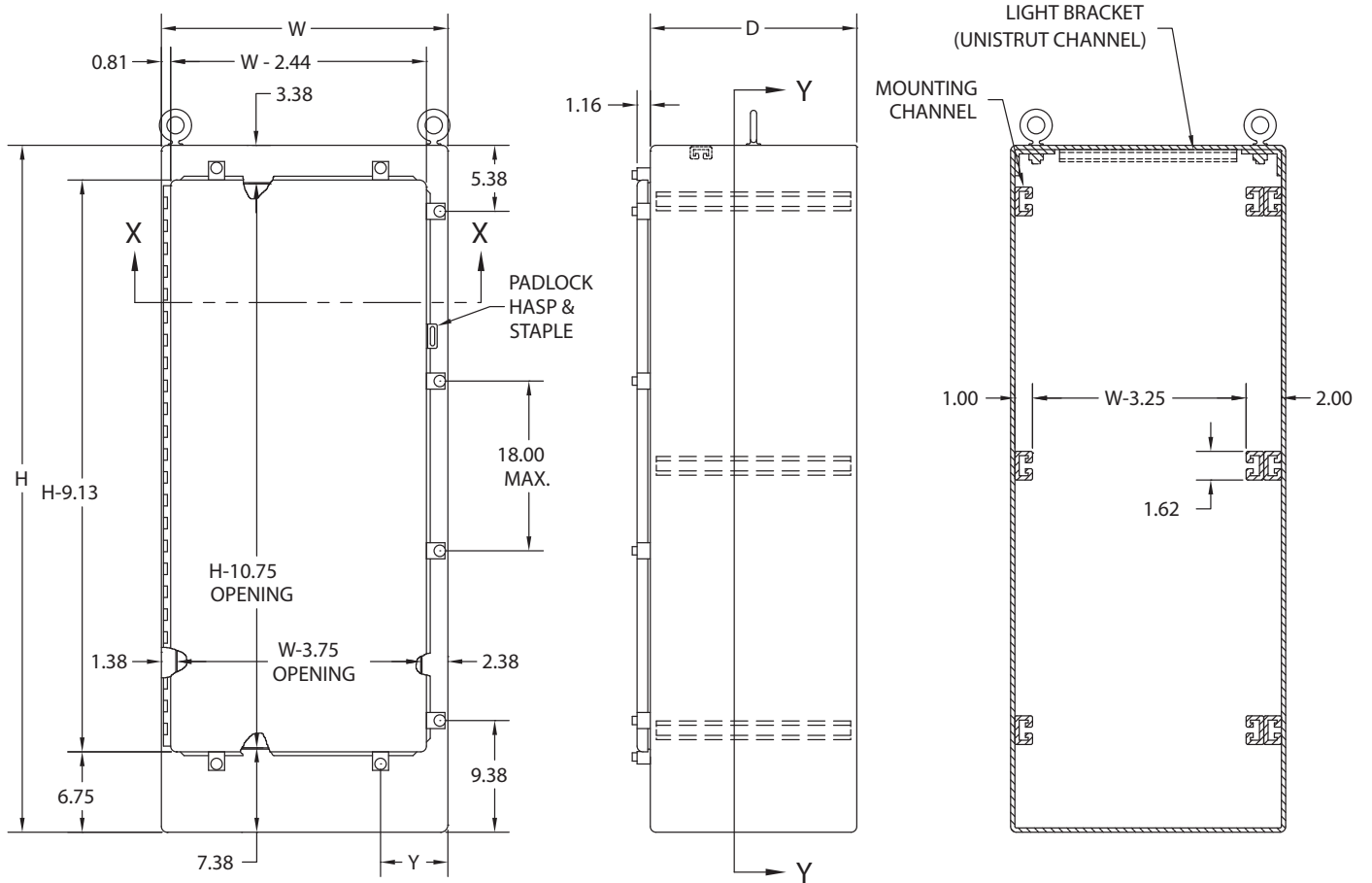
- Standard grain finish
- **Optional** back panels are white polyester powder (See page I8)

Accessories

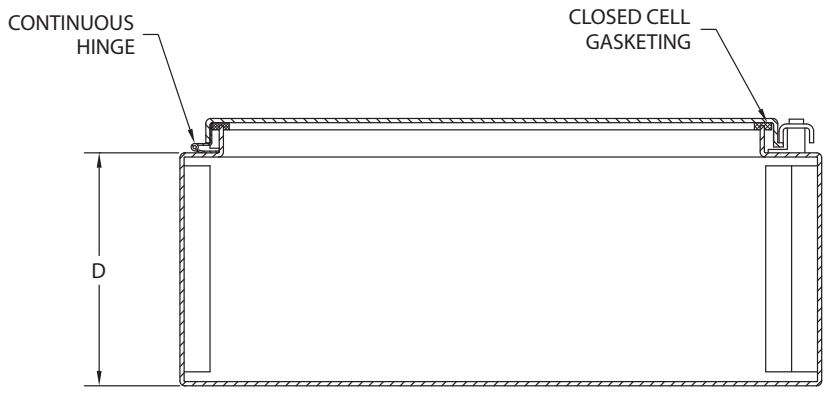
- Back panels (reference tables)
- See pages J1-J22

N4S-FSSS SERIES SINGLE DOOR ENCLOSURES					
CATALOG NUMBER		BODY/DOOR STEEL GAUGE	ENCLOSURE SIZE H X W X D	Y	BACK PANELS*
304 SS	316L SS				
N4S722518FSSS	N4S722518FSSSA	12/12	72.12x25.12x18.12 (1832x638x460)	6.38 (162)	See page I9
N4S723124FSSS	N4S723124FSSSA	12/12	72.12x31.12x24.12 (1832x790x613)	8.38 (213)	
N4S723724FSSS	N4S723724FSSSA	12/12	72.12x37.12x24.12 (1832x943x613)	10.38 (264)	

*Back panels must be ordered separately.



SECTION Y-Y



**SECTION X-X
NOT TO SCALE**

**SSN4D - 3PT SERIES ENCLOSURES
NEMA 4X 304/316L STAINLESS TWO DOOR FLOOR MOUNT**



SSN4D6248123PTA

Industry Standards

UL 508, Types 3, 4, 4X, 12 & 13
CSA Certified, Types 4, 4X & 12
NEMA/EEMAC Types 3, 4, 4X, 12 & 13

UL Files E64791

CSA File LL66078

FEATURES-SPECIFICATIONS

Applications

Designed to house electrical and electronic controls, components and instruments in wet corrosive environments. Typical applications for these enclosures include dairies, breweries, waste water, coastal, food processing and /or activities that may require hose down. Enclosures are designed for outdoor applications.

Construction

- Bodies, doors and floor stand feet are fabricated from 12/10 gauge 304 or 316L SS
- Continuously welded seams ground smooth, less knockouts or holes
- Body stiffeners added for extra strength
- Rolled lip around three sides of door and along top of enclosures opening excludes liquids and contaminants from entering

- 3PT 316L SS Padlocking Handles
- Heavy gauge continuous hinges are orivuded ti secyre doors
- Doors are removable by pulling stainless steel continuous hinge pin
- Removable print pocket is provided
- Standard 12" high floor kits are welded to bottom of enclosure
- Heavy duty removable lifting eyes
- Collar studs for mounting optional panels
- Easily removable center post permits easy panel installations
- Doors are sealed with poured in place gasket
- Grounding provisions provided

Finish

- Interior: commercial finish, Exterior: standard Wiegmann grained finish
- **Optional** back panels are white polyester powder
- **Optional** "G" panels have a conductive finish (See page 17)

Accessories

- Back panels (reference tables)
- See pages J1-J22

SSN4D 3PT SERIES TWO DOOR 3PT HANDLE STAINLESS ENCLOSURES					
CATALOG NUMBER		ENCLOSURE SIZE H X W X D	BACK PANEL CATALOG NUMBER*		BACK PANEL SIZE A X B
304 SS	316L SS		WHITE	"G"	
SSN4D6248123PT	SSN4D6248123PTA	62.06x48.06x12.06 (1576x1221x306)	NPDD6048	NPDD6048G	56.00x44.00 (1422x1118)
SSN4D6248183PT	SSN4D6248183PTA	62.06x48.06x18.06 (1576x1221x459)	NPDD6048	NPDD6048G	56.00x44.00 (1422x1118)
SSN4D6260123PT	SSN4D6260123PTA	62.06x60.06x12.06 (1576x1526x306)	NPDD6060	NPDD6060G	56.00x56.00 (1422x1422)
SSN4D7460123PT	SSN4D7460123PTA	74.06x60.06x12.06 (1881x1526x306)	NPDD7260	NPDD7260G	68.00x56.00 (1422x1422)
SSN4D7472123PT	SSN4D7472123PTA	74.06x72.06x12.06 (1881x1830x306)	NPDD7272	NPDD7272G	68.00x68.00 (1727x1727)
SSN4D7472243PT	SSN4D7472243PTA	74.06x72.06x24.06 (1881x1830x611)	NPDD7272	NPDD7272G	68.00x68.00 (1727x1727)

*Back panels must be ordered separately.

WA - SSFSN43PT SERIES ENCLOSURES NEMA 4X 304 STAINLESS FREESTANDING SINGLE DOOR



Industry Standards

UL 508, Types 3, 4, 4X & 12
CSA Certified, Type 4, 4X & 12
NEMA/EEMAC Types 3, 4, 4X & 12

 UL File E64791

 CSA File LL66078

FEATURES-SPECIFICATIONS

Applications

Designed to house electrical and electronic controls, terminals, and instruments in areas that are regularly hosed down or are otherwise very wet. Enclosures are also suitable for outdoor applications.

Construction

- Bodies and doors fabricated from 12 gauge 304 stainless steel
- Continuously welded seams ground smooth, less knockouts or holes
- "Uni-strut" mounting channels are welded horizontally to interior body sides, top, bottom and center
- Optional swing, half, full and rack

panels can be mounted anywhere along "uni-strut" channel

- Rolled lip around three sides of door and along top of enclosures opening excludes liquids and contaminants from entering
- 3 PT 316L SS Padlocking Vault Handle
- Heavy gauge continuous hinge
- Doors are removable by pulling stainless steel continuous hinge pin
- Removable print pocket is provided
- Heavy duty removable lifting eyes
- Doors are sealed with poured in place polyurethane gasket
- Grounding provisions provided

Finish

- Top, sides and door have a smooth grained finish, interior has a standard commercial finish
- Optional back panels are white polyester powder (See pages I8-I13)
- Optional "G" panels have a conductive finish (See pages I8-I13)

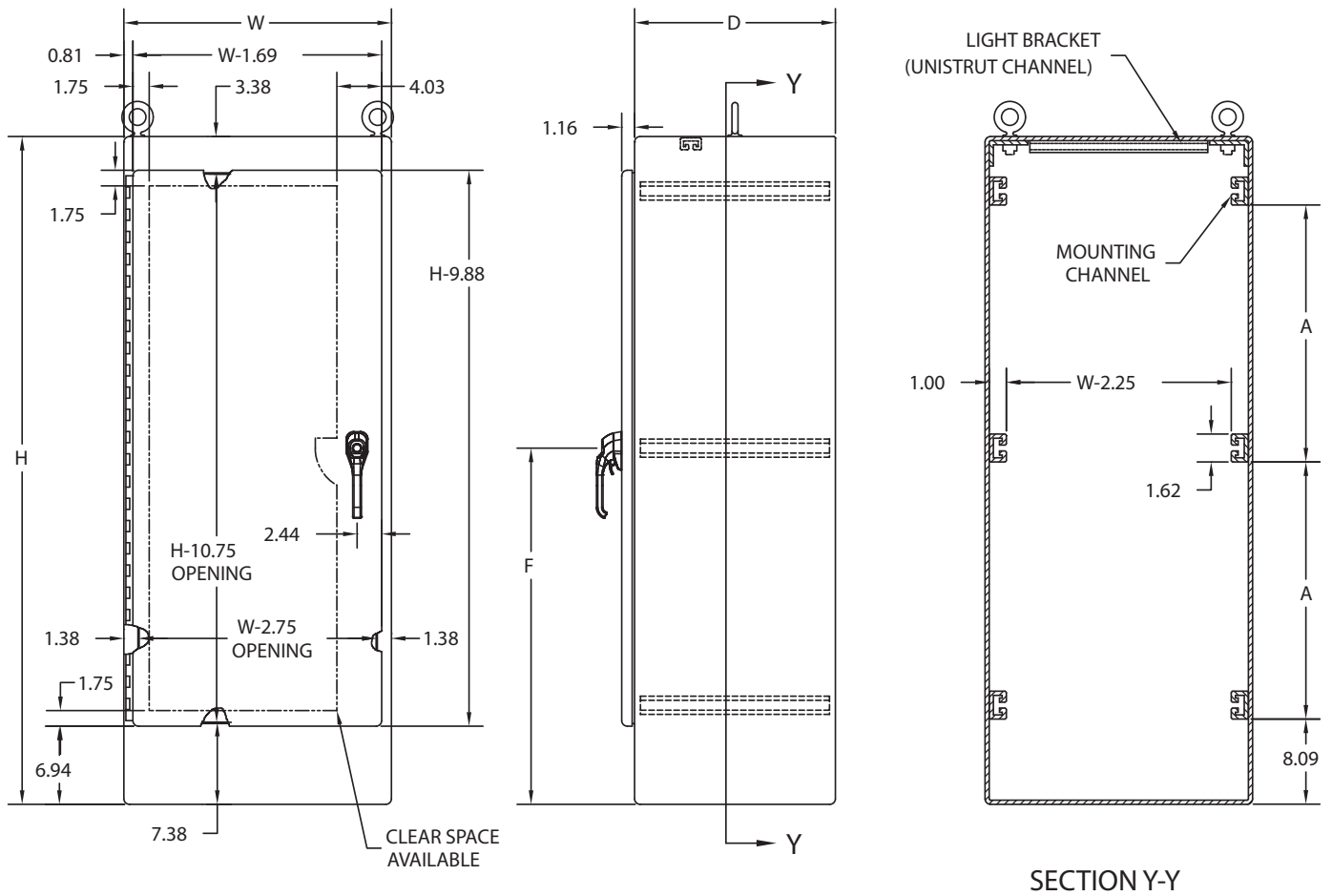
Accessories

- Back panels (reference tables)
- See pages J1-J22

WA-SSFSN43PT SERIES SINGLE DOOR 3PT HANDLE STAINLESS ENCLOSURES								
CATALOG NUMBER	ENCLOSURE SIZE H X W X D	BACK PANEL CATALOG NUMBER*		BACK PANEL SIZE A X B	STIFFENER		A	F
		WHITE	"G"		DOOR	BODY		
WA602418SSFSN43PT	60.06x24.06x18.06 (1526x611x459)	WA60P24F1	WA60P24F1G	48.00X20.00 (1219x508)	No	No	23.13 (588)	32.06 (814)
WA603624SSFSN43PT	60.06x36.06x24.06 (1526x916x611)	WA60P36F1	WA60P36F1G	48.00X32.00 (1219x813)	No	No	23.13 (588)	32.06 (814)
WA722418SSFSN43PT	72.06x24.06x18.06 (1830x611x459)	WA72P24F1	WA72P24F1G	60.00X20.00 (1524x508)	No	No	29.13 (740)	38.06 (967)
WA722424SSFSN43PT	72.06x24.06x24.06 (1830x611x611)	WA72P24F1	WA72P24F1G	60.00X20.00 (1524x508)	No	No	29.13 (740)	38.06 (967)
WA723018SSFSN43PT	72.06x30.06x18.06 (1830x764x459)	WA72P30F1	WA72P30F1G	60.00X26.00 (1524x660)	No	No	29.13 (740)	38.06 (967)
WA723024SSFSN43PT	72.06x30.06x24.06 (1830x764x611)	WA72P30F1	WA72P30F1G	60.00X26.00 (1524x660)	No	No	29.13 (740)	38.06 (967)
WA723618SSFSN43PT	72.06x36.06x18.06 (1830x916x459)	WA72P36F1	WA72P36F1G	60.00X32.00 (1524x813)	No	No	29.13 (740)	38.06 (967)
WA723624SSFSN43PT	72.06x36.06x24.06 (1830x916x611)	WA72P36F1	WA72P36F1G	60.00X32.00 (1524x813)	No	No	29.13 (740)	38.06 (967)
WA723630SSFSN43PT	72.06x36.06x30.06 (1830x916x764)	WA72P36F1	WA72P36F1G	60.00X32.00 (1524x813)	No	No	29.13 (740)	38.06 (967)
WA723636SSFSN43PT	72.06x36.06x36.06 (1830x916x916)	WA72P36F1	WA72P36F1G	60.00X32.00 (1524x813)	No	No	29.13 (740)	38.06 (967)
WA902420SSFSN43PT**	90.06x24.06x20.06 (2288x611x510)	WA90P24F1	WA90P24F1G	78.00x20.00 (1981x508)	No	No	38.13 (969)	47.06 (1195)
WA903620SSFSN43PT**	90.06x36.06x20.06 (2288x916x510)	WA90P36F1	WA90P36F1G	78.00x32.00 (1981x813)	No	No	38.13 (969)	47.06 (1195)
WA903624SSFSN43PT**	90.06x36.06x24.06 (2288x916x611)	WA90P36F1	WA90P36F1G	78.00x32.00 (1981x813)	No	No	38.13 (969)	47.06 (1195)
WA903636SSFSN43PT**	90.06x36.06x36.06 (2288x916x916)	WA90P36F1	WA90P36F1G	78.00x32.00 (1981x813)	No	No	38.13 (969)	47.06 (1195)

*Back panels must be ordered separately.

**UL pending on 90" tall cabinet.



**WA - SSFSDN43PT SERIES ENCLOSURES
NEMA 4X 304 STAINLESS FREESTANDING TWO DOOR**

Industry Standards

UL 508, Type 12
CSA Certified, Type 12
NEMA/EEMAC Type 12
(Types 4 & 4X pending)

 UL File E64791

 CSA File LL66078

FEATURES-SPECIFICATIONS
Applications

Designed to house electrical and electronic controls, terminals, and instruments in areas that are regularly hosed down or are otherwise very wet. Enclosures are also suitable for outdoor applications.

Construction

- Body and doors fabricated from 12 gauge 304 stainless steel
- Continuously welded seams ground smooth, less knockouts or holes
- “Uni-strut” mounting channels are welded horizontally to interior body sides, top, bottom and center
- Optional swing, half, full and rack panels can be mounted anywhere along “uni-strut” channel

- Rolled lip around three sides of door and along top of enclosures opening excludes liquids and contaminants from entering
- 3 PT 316L SS Padlocking Vault Handles
- Heavy gauge continuous hinge
- Doors are removable by pulling stainless steel continuous hinge pin
- Removable print pocket is provided
- Heavy duty removable lifting eyes
- Doors are sealed with poured in place polyurethane gasket
- Grounding provisions provided

Finish

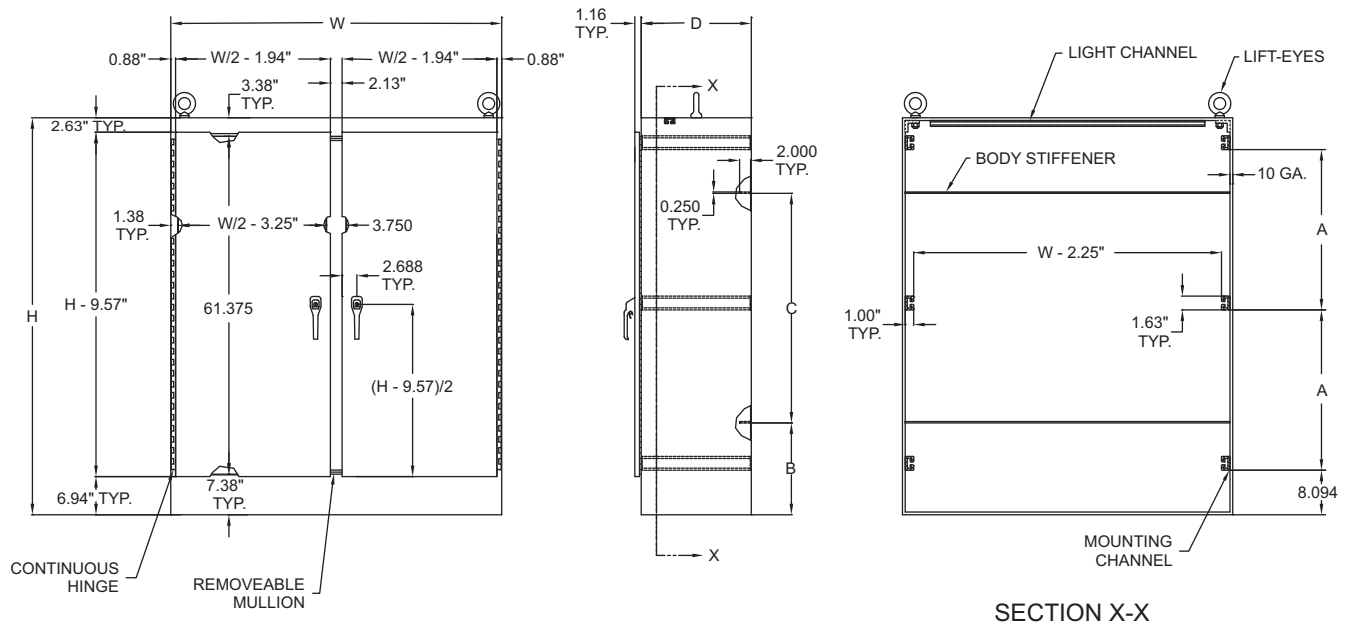
- Top, sides and doors have a smooth grained finish, interior has a standard commercial finish
- Optional back panels are white polyester powder (See pages I8-I13)
- Optional “G” panels have a conductive finish (See pages I8-I13)

Accessories

- Back panels (reference tables)
- See pages J1-J22

WA-SSFSDN43PT SERIES TWO DOOR 3PT HANDLE STAINLESS ENCLOSURES						
CATALOG NUMBER	ENCLOSURE SIZE H X W X D	BACK PANEL CATALOG NUMBER*		BACK PANEL SIZE A X B	A	F
		WHITE	“G”			
304 SS						
WA604818SSFSDN43PT	60.06x48.06x18.06 (1526x1221x459)	WA60P48F1	WA60P48F1G	56.00x44.00 (1422x1118)	23.13 (588)	32.06 (814)
WA724818SSFSDN43PT	72.06x48.06x18.06 (1830x1221x459)	WA72P48F1	WA72P48F1G	68.00x44.00 (1727x1118)	23.13 (588)	32.06 (814)
WA724824SSFSDN43PT	72.06x48.06x24.06 (1830x1221x611)	WA72P48F1	WA72P48F1G	68.00x44.00 (1727x1118)	29.13 (740)	38.06 (967)
WA726018SSFSDN43PT	72.06x60.06x18.06 (1830x1526x459)	WA72P60F1	WA72P60F1G	68.00x56.00 (1727x1422)	29.13 (740)	38.06 (967)
WA726024SSFSDN43PT	72.06x60.06x24.06 (1830x1526x611)	WA72P60F1	WA72P60F1G	68.00x56.00 (1727x1422)	29.13 (740)	38.06 (967)
WA726036SSFSDN43PT	72.06x60.06x36.06 (1830x1526x916)	WA72P60F1	WA72P60F1G	68.00x56.00 (1727x1422)	29.13 (740)	38.06 (967)
WA727218SSFSDN43PT	72.06x72.06x18.06 (1830x1830x459)	WA72P72F1	WA72P72F1G	68.00x68.00 (1727x1727)	29.13 (740)	38.06 (967)
WA727224SSFSDN43PT	72.06x72.06x24.06 (1830x1830x611)	WA72P72F1	WA72P72F1G	68.00x68.00 (1727x1727)	29.13 (740)	38.06 (967)
WA904820SSFSDN43PT	90.06x48.06x20.06 (2288x1221x510)	WA90P48F1	WA90P48F1G	86.00x44.00 (2184x1118)	38.13 (969)	47.06 (1195)
WA907220SSFSDN43PT	90.06x72.06x20.06 (2288x1830x510)	WA90P72F1	WA90P72F1G	86.00x68.00 (2184x1727)	38.13 (969)	47.06 (1195)
WA907224SSFSDN43PT	90.06x72.06x24.06 (2288x1830x611)	WA90P72F1	WA90P72F1G	86.00x68.00 (2184x1727)	38.13 (969)	47.06 (1195)
WA907236SSFSDN43PT	90.06x72.06x36.06 (2288x1830x916)	WA90P72F1	WA90P72F1G	86.00x68.00 (2184x1727)	38.13 (969)	47.06 (1195)

*Back panels must be ordered separately.




WA604818FSDSS
Industry Standards

UL 508, Type 12

CSA Certified, Type 12

NEMA/EEMAC Type 12



UL Files E64791



CSA File LL66078

FEATURES-SPECIFICATIONS
Applications

Designed to protect electrical and electronic controls, components, and instruments in typical industrial environments. Enclosures protect enclosure equipment from dust, dirt, oil, and dripping water. These enclosures are used in machine tool applications for housing motor starters, drives, contactors, PLC's, as well as a wide variety of other electrical and electronic equipment. The addition of 19-inch rack mounting accessories make these enclosures ideal for providing rugged protection for sensitive rack mounted components in harsh industrial environments. The enclosures are found extensively in automotive, pulp and paper, wood products, textile, and similar industries.

Two styles are available to provide maximum flexibility:

- a) Single Door Single Access
(single door on front)
- b) Two Door Single Access
(two door on front)

Construction

- Fabricated from 12 or 10 gauge steel 304 stainless steel
- Continuously welded seams ground smooth, less holes or knockouts
- Body stiffeners for added rigidity
- Heavy duty lifting eyes for easy handling
- Heavy gauge continuous hinges support each door
- 3 point latching mechanism with an oil-tight key locking handle is provided
- Print pocket is provided
- "Uni-strut" mounting channels are welded horizontally to interior body sides and top, bottom and center to allow optional back panels to be positioned in enclosure. Optional swing, half, full and rack panels can be mounted anywhere along unistrut channel
- Doors are sealed with poured in place polyurethane gasket

- Stiffeners are welded to back of two door enclosures to maintain flatness and increase rigidity
- Grounding provisions provided

Finish

- All external surfaces have a smooth brushed finish, interior has a standard commercial finish
- **Optional** back panels are white polyester powder (See pages I8-I13)
- **Optional** "G" panels have a conductive finish (See pages I8-I13)

Accessories

- Sub panels (see pages I8-I13)
- Accessories (see pages J1-J22)

WA-FSSS SERIES SINGLE DOOR FREESTANDING ENCLOSURES

CATALOG NUMBER	BODY/DOOR STEEL GAUGE	ENCLOSURE SIZE H X W X D	BACK PANEL CATALOG NUMBER*		A	F
			WHITE	"G"		
WA602418FSSS	12/12	60.12x24.12x18.12 (1527x613x460)	WA60P24F1	WA60P24F1G	23.13 (587)	32.06 (814)
WA722418FSSS	12/12	72.12x24.12x18.12 (1832x613x460)	WA72P24F1	WA72P24F1G	29.13 (740)	38.06 (967)
WA723018FSSS	12/12	72.12x30.12x18.12 (1832x765x460)	WA72P30F1	WA72P30F1G	29.13 (740)	38.06 (967)
WA723618FSSS	12/12	72.12x36.12x18.12 (1832x917x460)	WA72P36F1	WA72P36F1G	29.13 (740)	38.06 (967)
WA902420FSSS	12/12	90.12x24.12x20.12 (2289x613x511)	WA90P24F1	WA90P24F1G	38.13 (968)	47.06 (1195)
WA903620FSSS	12/12	90.12x36.12x20.12 (2289x917x511)	WA90P36F1	WA90P36F1G	38.13 (968)	47.06 (1195)
WA603624FSSS	12/12	60.12x36.12x24.12 (1527x917x613)	WA60P36F1	WA60P36F1G	23.13 (587)	32.06 (814)
WA722424FSSS	12/12	72.12x24.12x24.12 (1832x613x613)	WA72P24F1	WA72P24F1G	29.13 (740)	38.06 (967)
WA723024FSSS	12/12	72.12x30.12x24.12 (1832x765x613)	WA72P30F1	WA72P30F1G	29.13 (740)	38.06 (967)
WA723624FSSS	12/12	72.12x36.12x24.12 (1832x917x613)	WA72P36F1	WA72P36F1G	29.13 (740)	38.06 (967)
WA903624FSSS	12/12	90.12x36.12x24.12 (2289x917x613)	WA90P36F1	WA90P36F1G	38.13 (968)	47.06 (1195)
WA723630FSSS	12/12	72.12x36.12x30.12 (1832x917x765)	WA72P36F1	WA72P36F1G	29.13 (740)	38.06 (967)
WA723636FSSS	12/12	72.12x36.12x36.12 (1832x917x917)	WA72P36F1	WA72P36F1G	29.13 (740)	38.06 (967)
WA903636FSSS	12/12	90.12x36.12x36.12 (2289x917x917)	WA90P36F1	WA90P36F1G	38.13 (968)	47.06 (1195)

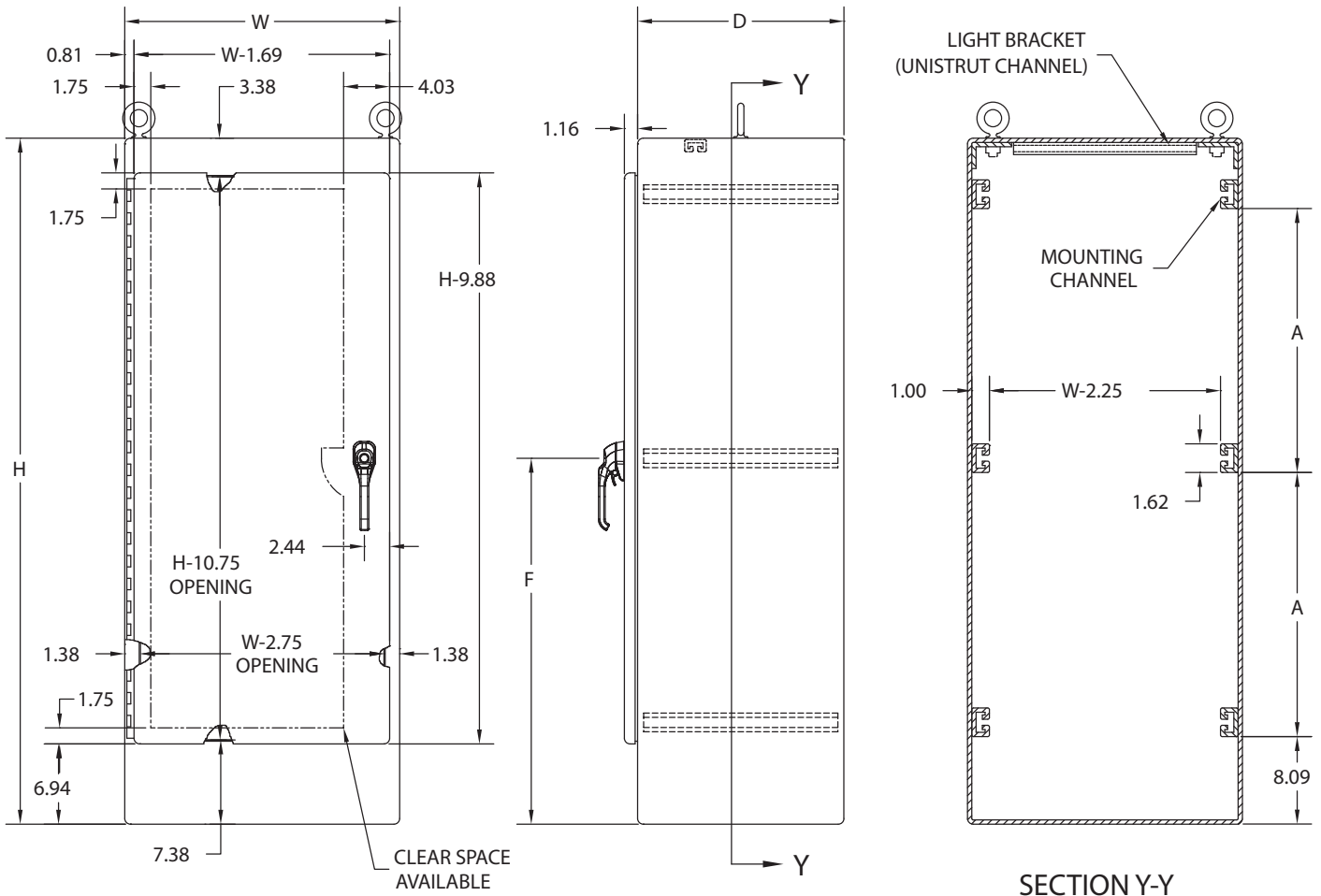
*Back panels must be ordered separately.

WA-FSDSS SERIES TWO DOOR FREESTANDING ENCLOSURES

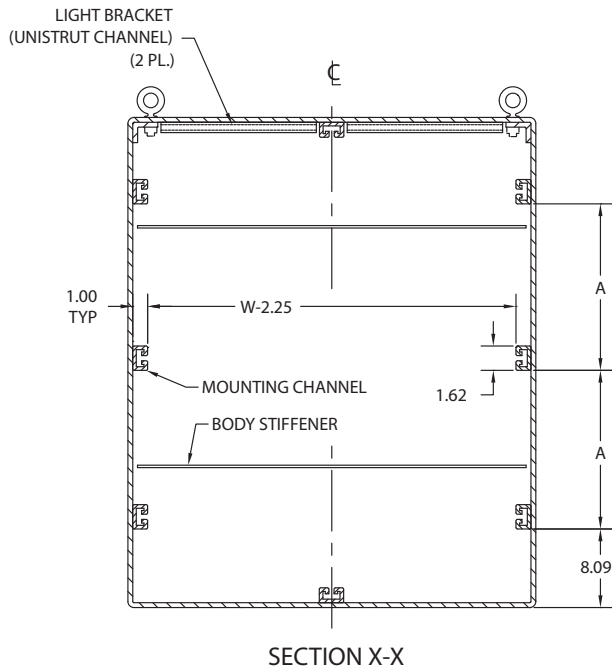
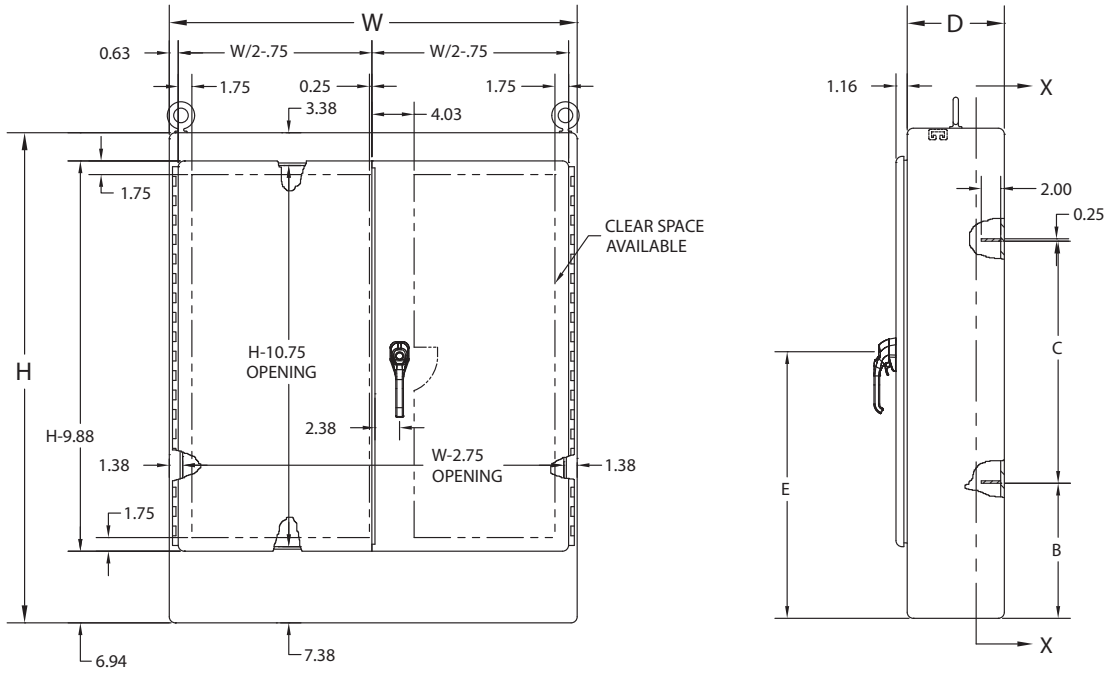
CATALOG NUMBER	BODY/DOOR STEEL GAUGE	ENCLOSURE SIZE H X W X D	BACK PANEL CATALOG NUMBER*		A	B	C	E
			WHITE	"G"				
WA604818FSDSS	10/10	60.12x48.12x18.12 (1527x1222x460)	WA60P48F1	WA60P48F1G	23.13 (587)	19.88 (505)	20.03 (509)	32.06 (814)
WA724818FSDSS	10/10	72.12x48.12x18.12 (1832x1222x460)	WA72P48F1	WA72P48F1G	29.13 (740)	23.88 (607)	24.03 (610)	38.06 (967)
WA726018FSDSS	10/10	72.12x60.12x18.12 (1832x1527x460)	WA72P60F1	WA72P60F1G	29.13 (740)	23.88 (607)	24.03 (610)	38.06 (967)
WA727218FSDSS	10/10	72.12x72.12x18.12 (1832x1832x460)	WA72P72F1	WA72P72F1G	29.13 (740)	23.88 (607)	24.03 (610)	38.06 (967)
WA904820FSDSS	10/10	90.12x48.12x20.12 (2289x1222x511)	WA90P48F1	WA90P48F1G	38.13 (968)	29.88 (759)	30.03 (763)	47.06 (1195)
WA907220FSDSS	10/10	90.12x72.12x20.12 (2289x1832x511)	WA90P72F1	WA90P72F1G	38.13 (968)	29.88 (759)	30.03 (763)	47.06 (1195)
WA724824FSDSS	10/10	72.12x48.12x24.12 (1832x1222x613)	WA72P48F1	WA72P48F1G	29.13 (740)	23.88 (607)	24.03 (610)	38.06 (967)
WA726024FSDSS	10/10	72.12x60.12x24.12 (1832x1527x613)	WA72P60F1	WA72P60F1G	29.13 (740)	23.88 (607)	24.03 (610)	38.06 (967)
WA727224FSDSS	10/10	72.12x72.12x24.12 (1832x1832x613)	WA72P72F1	WA72P72F1G	29.13 (740)	23.88 (607)	24.03 (610)	38.06 (967)
WA907224FSDSS	10/10	90.12x72.12x24.12 (2289x1832x613)	WA90P72F1	WA90P72F1G	38.13 (968)	29.88 (759)	30.03 (763)	47.06 (1195)
WA726036FSDSS	10/10	72.12x60.12x36.12 (1832x1527x917)	WA72P60F1	WA72P60F1G	29.13 (740)	23.88 (607)	24.03 (610)	38.06 (967)
WA907236FSDSS	10/10	90.12x72.12x36.12 (2289x1832x917)	WA90P72F1	WA90P72F1G	38.13 (968)	29.88 (759)	30.03 (763)	47.06 (1195)

*Back panels must be ordered separately.

WA-FSSS



WA-FSDSS



**PREMIUM SERIES NON-METALLIC ENCLOSURES
OPAQUE, HINGED COVER WITH TWO COVER SCREWS**



HW-141206CHSC

Industry Standards

- UL/cUL 50/508, Types 1, 3, 3S, 12, 13, 4x
- CSA Standard C22.2 Types 1, 3, 3S, 12, 13, 4x
- NEMA Standard 250 Types 1, 3, 3S, 12, 13, 4x
- IEC 60529 IP66
- UL94 V-0, 5V flammability rating
- Non-flame propagating
- Flame Spread classification per NFPA No. 101, Class A (1)
- Temperature Range: -40°F to 250°F (-40°C to 120°C)



FEATURES-SPECIFICATIONS

Construction

- Fiberglass construction
- Poured polyurethane seamless gasket provides watertight, dust-tight environmental seal
- Excellent chemical and corrosion resistance
- Rounded edges, minimal protrusions or exposed pocket area for accumulation of dust or debris
- 300 Series stainless steel used on all external hardware

- Optional mounting foot kit available
- Opaque, hinged cover with two screws.
- Raised bosses with brass inserts accepting 10-32 screws for optional panel mounting
- Impact resistance and physical strength greater than that of ABS and PVC
- Full 180° door opening
- Color: Gray

Accessories

- See pages E77-E79

OPAQUE COVER, HINGED WITH TWO COVER SCREWS PREMIER SERIES NON-METALLIC ENCLOSURES							
PART NUMBER	ENCLOSURE OVERALL SIZE HxWxD	ENCLOSURE INSIDE AxBxC	WT.	CARBON STEEL SUBPANEL*	FIBERGLASS SUBPANEL*	STAINLESS STEEL SUBPANEL*	ALUMINUM SUBPANEL*
HW-60604CHSC	7.41 x 7.79 x 4.31 (188.3 x 197.9 x 109.5)	6.77 x 6.77 x 4.06 (171.9 x 171.9 x 103.2)	2.5 lbs	HW-MP606CS	HW-MP606FG	HW-MP606SS	HW-MP606A
HW-80604CHSC	9.41 x 7.79 x 4.31 (239.1x197.9x109.5)	8.77 x 6.77 x 4.06 (222.7 x 171.9 x 103.2)	3.0 lbs	HW-MP806CS	HW-MP806FG	HW-MP806SS	HW-MP806A
HW-80804CHSC	9.39 x 9.76 x 4.31 (238.5 x 248.0 x 109.5)	8.74 x 8.74 x 4.06 (222.1 x 222.1 x 103.2)	3.5 lbs	HW-MP808CS	HW-MP808FG	HW-MP808SS	HW-MP808A
HW-100806CHSC	11.42 x 9.79 x 6.31 (290.1 x 248.6 x 160.3)	10.73 x 8.73 x 6.06 (272.5 x 221.7 x 153.9)	4.5 lbs	HW-MP1008CS	HW-MP1008FG	HW-MP1008SS	HW-MP1008A
HW-121006CHSC	13.45 x 11.83 x 6.31 (341.6 x 300.5 x 160.3)	12.69 x 10.69 x 6.06 (322.3 x 271.5 x 153.9)	6.0 lbs	HW-MP1210CS	HW-MP1210FG	HW-MP1210SS	HW-MP1210A
HW-141206CHSC	15.49 x 13.86 x 6.31 (393.4 x 352.0 x 160.3)	14.72 x 12.72 x 6.06 (373.9 x 323.1 x 153.9)	8.0 lbs	HW-MP1412CS	HW-MP1412FG	HW-MP1412SS	HW-MP1412A
HW-141208CHSC	15.49 x 13.86 x 8.34 (393.4 x 352.0 x 211.8)	14.66 x 12.66 x 8.06 (372.4 x 321.6 x 204.7)	9.5 lbs	HW-MP1412CS	HW-MP1412FG	HW-MP1412SS	HW-MP1412A
HW-161408CHSC	17.58 x 15.96 x 8.34 (446.6 x 405.4 x 211.8)	16.69 x 14.69 x 8.06 (424.0 x 373.1 x 204.7)	11.5 lbs	HW-MP1614CS	HW-MP1614FG	HW-MP1614SS	HW-MP1614A
HW-181610CHSC	19.77 x 18.15 x 10.34 (502.2 x 461.0 x 262.6)	18.63 x 16.63 x 10.06 (473.2 x 422.4 x 255.5)	16.0 lbs	HW-MP1816CS	HW-MP1816FG	HW-MP1816SS	HW-MP1816A
HW-201610CHSC	21.79 x 18.16 x 10.34 (553.5 x 461.2 x 262.6)	20.63 x 16.63 x 10.06 (524.0 x 422.4 x 255.5)	17.5 lbs	HW-MP2016CS	HW-MP2016FG	HW-MP2016SS	HW-MP2016A

Dimensions in inches (millimeters). (See dimensional drawings on page E55 of this section.)

*Note: Subpanels must be ordered separately. See pages E74-E76 for more information.

**PREMIUM SERIES NON-METALLIC ENCLOSURES
OPAQUE, HINGED COVER WITH TWO PULL LATCHES**



HW-141208CHQR

Industry Standards

- UL/cUL 50/508, Types 1, 3, 3S, 12, 13, 4x
- CSA Standard C22.2 Types 1, 3, 3S, 12, 13, 4x
- NEMA Standard 250 Types 1, 3, 3S, 12, 13, 4x
- IEC 60529 IP66
- UL94 V-0, 5V flammability rating
- Non-flame propagating
- Flame Spread classification per NFPA No. 101, Class A (1)
- Temperature Range: -40°F to 250°F (-40°C to 120°C)



FEATURES-SPECIFICATIONS

Construction

- Fiberglass construction
- Impact resistance and physical strength greater than that of ABS and PVC
- Poured polyurethane seamless gasket provides watertight, dust-tight environmental seal
- Opaque hinged cover with two pull latches
- Padlock latch for quick entry

- Integral hasp provides secure loop for padlock (padlock not included)
- Full 180° door opening
- UV resistant
- Excellent chemical and corrosion resistance
- Rounded edges, minimal protrusions or exposed pocket area for accumulation of dust or debris
- 300 Series stainless steel used on all external hardware

- Optional mounting foot kit available
- Raised bosses with brass inserts accepting 10-32 screws for optional panel mounting
- Color: Gray

Accessories

- See pages E77-E79

OPAQUE, HINGED COVER WITH TWO PULL LATCHES PREMIER SERIES NON-METALLIC ENCLOSURES							
PART NUMBER	ENCLOSURE OVERALL SIZE HxWxD	ENCLOSURE INSIDE AxBxC	WT.	CARBON STEEL SUBPANEL*	FIBERGLASS SUBPANEL*	STAINLESS STEEL SUBPANEL*	ALUMINUM SUBPANEL*
HW-60604CHQR	7.41 x 7.79 x 4.31 (188.3 x 197.9 x 109.5)	6.77 x 6.77 x 4.06 (171.9 x 171.9 x 103.2)	2.5 lbs	HW-MP606CS	HW-MP606FG	HW-MP606SS	HW-MP606A
HW-80604CHQR	9.41 x 7.79 x 4.31 (239.1x197.9x109.5)	8.77 x 6.77 x 4.06 (222.7 x 171.9 x 103.2)	3.0 lbs	HW-MP806CS	HW-MP806FG	HW-MP806SS	HW-MP806A
HW-80804CHQR	9.39 x 9.76 x 4.31 (238.5 x 248.0 x 109.5)	8.74 x 8.74 x 4.06 (222.1 x 222.1 x 103.2)	3.5 lbs	HW-MP808CS	HW-MP808FG	HW-MP808SS	HW-MP808A
HW-100806CHQR	11.42 x 9.79 x 6.31 (290.1 x 248.6 x 160.3)	10.73 x 8.73 x 6.06 (272.5 x 221.7 x 153.9)	4.5 lbs	HW-MP1008CS	HW-MP1008FG	HW-MP1008SS	HW-MP1008A
HW-121006CHQR	13.45 x 11.83 x 6.31 (341.6 x 300.5 x 160.3)	12.69 x 10.69 x 6.06 (322.3 x 271.5 x 153.9)	6.0 lbs	HW-MP1210CS	HW-MP1210FG	HW-MP1210SS	HW-MP1210A
HW-141206CHQR	15.49 x 13.86 x 6.31 (393.4 x 352.0 x 160.3)	14.72 x 12.72 x 6.06 (373.9 x 323.1 x 153.9)	8.0 lbs	HW-MP1412CS	HW-MP1412FG	HW-MP1412SS	HW-MP1412A
HW-141208CHQR	15.49 x 13.86 x 8.34 (393.4 x 352.0 x 211.8)	14.66 x 12.66 x 8.06 (372.4 x 321.6 x 204.7)	9.5 lbs	HW-MP1412CS	HW-MP1412FG	HW-MP1412SS	HW-MP1412A
HW-161408CHQR	17.58 x 15.96 x 8.34 (446.6 x 405.4 x 211.8)	16.69 x 14.69 x 8.06 (424.0 x 373.1 x 204.7)	11.5 lbs	HW-MP1614CS	HW-MP1614FG	HW-MP1614SS	HW-MP1614A
HW-181610CHQR	19.77 x 18.15 x 10.34 (502.2 x 461.0 x 262.6)	18.63 x 16.63 x 10.06 (473.2 x 422.4 x 255.5)	16.0 lbs	HW-MP1816CS	HW-MP1816FG	HW-MP1816SS	HW-MP1816A
HW-201610CHQR	21.79 x 18.16 x 10.34 (553.5 x 461.2 x 262.6)	20.63 x 16.63 x 10.06 (524.0 x 422.4 x 255.5)	17.5 lbs	HW-MP2016CS	HW-MP2016FG	HW-MP2016SS	HW-MP2016A

Dimensions in inches (millimeters). (See dimensional drawings on page E55 of this section.)

*Note: Subpanels must be ordered separately. See pages E74-E76 for more information.

PREMIUM SERIES NON-METALLIC ENCLOSURES CLEAR, HINGED COVER WITH TWO PULL LATCHES



HW-CC141206CHQR

Industry Standards

- UL/cUL 50/508, Types 1, 3, 3S, 12, 13, 4x
- CSA Standard C22.2 Types 1, 3, 3S, 12, 13, 4x
- NEMA Standard 250 Types 1, 3, 3S, 12, 13, 4x
- IEC 60529 IP66
- UL94 V-0, 5V flammability rating
- Window flammability rating: UL94V-2, HB
- Non-flame propagating
- Flame Spread classification per NFPA No. 101, Class A (1)
- Temperature Range: -40°F to 250°F (-40°C to 120°C)

 UL File E64791

 CSA File 222873

FEATURES-SPECIFICATIONS

Construction

- Fiberglass construction
- Poured polyurethane seamless gasket provides watertight, dust-tight environmental seal
- Clear hinged cover with two pull latches
- UV resistant
- Clear cover rated UL94 V-2, HB.
- Excellent chemical and corrosion resistance

- Rounded edges, minimal protrusions or exposed pocket areas for accumulation of dust or debris
- 300 Series stainless steel used on all external hardware
- **Optional** mounting foot kit available
- Raised bosses with brass inserts accepting 10-32 screws for optional panel mounting
- Impact resistance and physical strength greater than that of ABS and PVC

- Full 180° door opening
- Integral hasp provides secure loop for padlock (padlock not included)
- Color: Gray

Accessories

- See pages E77-E79

CLEAR COVER, HINGED WITH TWO PULL LATCHES PREMIER SERIES NON-METALLIC ENCLOSURES							
PART NUMBER	ENCLOSURE OVERALL SIZE HxWxD	ENCLOSURE INSIDE AxBxC	WT.	CARBON STEEL SUBPANEL*	FIBERGLASS SUBPANEL*	STAINLESS STEEL SUBPANEL*	ALUMINUM SUBPANEL*
HW-CC60604CHQR	7.41 x 7.79 x 4.31 (188.3 x 197.9 x 109.5)	6.77 x 6.77 x 4.06 (171.9 x 171.9 x 103.2)	2.5 lbs	HW-MP606CS	HW-MP606FG	HW-MP606SS	HW-MP606A
HW-CC80604CHQR	9.41 x 7.79 x 4.31 (239.1x197.9x109.5)	8.77 x 6.77 x 4.06 (222.7 x 171.9 x 103.2)	3.0 lbs	HW-MP806CS	HW-MP806FG	HW-MP806SS	HW-MP806A
HW-CC80804CHQR	9.39 x 9.76 x 4.31 (238.5 x 248.0 x 109.5)	8.74 x 8.74 x 4.06 (222.1 x 222.1 x 103.2)	3.5 lbs	HW-MP808CS	HW-MP808FG	HW-MP808SS	HW-MP808A
HW-CC100806CHQR	11.42 x 9.79 x 6.31 (290.1 x 248.6 x 160.3)	10.73 x 8.73 x 6.06 (272.5 x 221.7 x 153.9)	4.5 lbs	HW-MP1008CS	HW-MP1008FG	HW-MP1008SS	HW-MP1008A
HW-CC121006CHQR	13.45 x 11.83 x 6.31 (341.6 x 300.5 x 160.3)	12.69 x 10.69 x 6.06 (322.3 x 271.5 x 153.9)	6.0 lbs	HW-MP1210CS	HW-MP1210FG	HW-MP1210SS	HW-MP1210A
HW-CC141206CHQR	15.49 x 13.86 x 6.31 (393.4 x 352.0 x 160.3)	14.72 x 12.72 x 6.06 (373.9 x 323.1 x 153.9)	8.0 lbs	HW-MP1412CS	HW-MP1412FG	HW-MP1412SS	HW-MP1412A
HW-CC141208CHQR	15.49 x 13.86 x 8.34 (393.4 x 352.0 x 211.8)	14.66 x 12.66 x 8.06 (372.4 x 321.6 x 204.7)	9.5 lbs	HW-MP1412CS	HW-MP1412FG	HW-MP1412SS	HW-MP1412A
HW-CC161408CHQR	17.58 x 15.96 x 8.34 (446.6 x 405.4 x 211.8)	16.69 x 14.69 x 8.06 (424.0 x 373.1 x 204.7)	11.5 lbs	HW-MP1614CS	HW-MP1614FG	HW-MP1614SS	HW-MP1614A

Dimensions in inches (millimeters). (See dimensional drawings on page E55 of this section.)

*Note: Subpanels must be ordered separately. See pages E74-E76 for more information.

**PREMIUM SERIES NON-METALLIC ENCLOSURES
CLEAR, HINGED COVER WITH LINK LOCK LATCHES**



HW-CC141206CHTL

Industry Standards

- UL/cUL 50/508, Types 1, 3, 3S, 12, 13, 4x
- CSA Standard C22.2 Types 1, 3, 3S, 12, 13, 4x
- NEMA Standard 250 Types 1, 3, 3S, 12, 13, 4x
- IEC 60529 IP66
- UL94 V-0, 5V flammability rating
- Window flammability: UL94V-2, HB
- Non-flame propagating
- Flame Spread classification per NFPA No. 101, Class A (1)
- Temperature Range: -40°F to 250°F (-40°C to 120°C)



FEATURES-SPECIFICATIONS

Construction

- Fiberglass construction
- Poured polyurethane seamless gasket provides watertight, dust-tight environmental seal
- Clear hinged cover with two link-lock latches
- UV resistant
- Clear cover rated UL94 V-2, HB.
- Excellent chemical and corrosion resistance

- Rounded edges, minimal protrusions or exposed pocket areas for accumulation of dust or debris
- 300 Series stainless steel used on all external hardware
- **Optional** mounting foot kit available
- Raised bosses with brass inserts accepting 10-32 screws for optional panel mounting
- Impact resistance and physical strength greater than that of ABS and PVC

- Full 180° door opening
- Link lock latch for quick entry
- Latch lies flat on side of enclosure
- Color: Gray

Accessories

- See pages E77-E79

CLEAR, HINGED COVER WITH LINK LOCK LATCHES PREMIER SERIES NON-METALLIC ENCLOSURES							
PART NUMBER	ENCLOSURE OVERALL SIZE HxWxD	ENCLOSURE INSIDE AxBxC	WT.	CARBON STEEL SUBPANEL*	FIBERGLASS SUBPANEL*	STAINLESS STEEL SUBPANEL*	ALUMINUM SUBPANEL*
HW-CC60604CHTL	7.41 x 7.79 x 4.31 (188.3 x 197.9 x 109.5)	6.77 x 6.77 x 4.06 (171.9 x 171.9 x 103.2)	2.5 lbs	HW-MP606CS	HW-MP606FG	HW-MP606SS	HW-MP606A
HW-CC80604CHTL	9.41 x 7.79 x 4.31 (239.1 x 197.9 x 109.5)	8.77 x 6.77 x 4.06 (222.7 x 171.9 x 103.2)	3.0 lbs	HW-MP806CS	HW-MP806FG	HW-MP806SS	HW-MP806A
HW-CC80804CHTL	9.39 x 9.76 x 4.31 (238.5 x 248.0 x 109.5)	8.74 x 8.74 x 4.06 (222.1 x 222.1 x 103.2)	3.5 lbs	HW-MP808CS	HW-MP808FG	HW-MP808SS	HW-MP808A
HW-CC100806CHTL	11.42 x 9.79 x 6.31 (290.1 x 248.6 x 160.3)	10.73 x 8.73 x 6.06 (272.5 x 221.7 x 153.9)	4.5 lbs	HW-MP1008CS	HW-MP1008FG	HW-MP1008SS	HW-MP1008A
HW-CC121006CHTL	13.45 x 11.83 x 6.31 (341.6 x 300.5 x 160.3)	12.69 x 10.69 x 6.06 (322.3 x 271.5 x 153.9)	6.0 lbs	HW-MP1210CS	HW-MP1210FG	HW-MP1210SS	HW-MP1210A
HW-CC141206CHTL	15.49 x 13.86 x 6.31 (393.4 x 352.0 x 160.3)	14.72 x 12.72 x 6.06 (373.9 x 323.1 x 153.9)	8.0 lbs	HW-MP1412CS	HW-MP1412FG	HW-MP1412SS	HW-MP1412A
HW-CC141208CHTL	15.49 x 13.86 x 8.34 (393.4 x 352.0 x 211.8)	14.66 x 12.66 x 8.06 (372.4 x 321.6 x 204.7)	9.5 lbs	HW-MP1412CS	HW-MP1412FG	HW-MP1412SS	HW-MP1412A
HW-CC161408CHTL	17.58 x 15.96 x 8.34 (446.6 x 405.4 x 211.8)	16.69 x 14.69 x 8.06 (424.0 x 373.1 x 204.7)	11.5 lbs	HW-MP1614CS	HW-MP1614FG	HW-MP1614SS	HW-MP1614A

Dimensions in inches (millimeters). (See dimensional drawings on page E55 of this section.)

*Note: Subpanels must be ordered separately. See pages E74-E76 for more information.

CLEAR, HINGED COVER WITH LINK LOCK LATCHES PREMIER SERIES NON-METALLIC ENCLOSURES											
PREMIER BASE* PART NUMBER	ENCLOSURE OVERALL SIZE HxWxD	ENCLOSURE INSIDE AxBxC	MOUNTING PxR	K	L	S	T	OPTIONAL MOUNTING FEET EXF	N	J	M
HW-*60604*	7.41 x 7.79 x 4.31 (188.3 x 197.9 x 109.5)	6.77 x 6.77 x 4.06 (171.9 x 171.9 x 103.2)	5.93 x 4.00 (150.6 x 101.6)	4.25 (108)	4.25 (108)	3.60 (91.5)	.38 (9.6)	8.24 x 4.00 (209.2 x 101.6)	9.02 (229.0)	4.56 (115.8)	.25 (6.35)
HW-*80604*	9.41 x 7.79 x 4.31 (239.1 x 197.9 x 109.5)	8.77 x 6.77 x 4.06 (222.7 x 171.9 x 103.2)	7.91 x 4.00 (200.9 x 101.6)	6.25 (159)	4.25 (108)	3.60 (91.5)	.38 (9.6)	10.21 x 4.00 (259.3 x 101.6)	10.98 (279.0)	4.56 (115.8)	.25 (6.35)
HW-*80804*	9.39 x 9.76 x 4.31 (238.5 x 248.0 x 109.5)	8.74 x 8.74 x 4.06 (222.1 x 222.1 x 103.2)	7.91 x 6.00 (200.9 x 152.4)	6.25 (159)	6.25 (159)	3.60 (91.5)	.38 (9.6)	10.21 x 6.00 (259.3 x 152.4)	10.98 (279.0)	4.56 (115.8)	.25 (6.35)
HW-*100806*	11.42 x 9.79 x 6.31 (290.1 x 248.6 x 160.3)	10.73 x 8.73 x 6.06 (272.5 x 221.7 x 153.9)	9.89 x 6.00 (251.2 x 152.4)	8.25 (210)	6.25 (159)	5.60 (142.3)	.38 (9.6)	12.19 x 6.00 (309.6 x 152.4)	12.96 (329.3)	6.56 (166.6)	.25 (6.35)
HW-*121006*	13.45 x 11.83 x 6.31 (341.6 x 300.5 x 160.3)	12.69 x 10.69 x 6.06 (322.3 x 271.5 x 153.9)	11.88 x 8.00 (301.7 x 203.2)	10.25 (260)	8.25 (210)	5.60 (142.3)	.38 (9.6)	14.18 x 8.00 (360.2 x 203.2)	14.95 (379.7)	6.56 (166.6)	.25 (6.35)
HW-*141206*	15.49 x 13.86 x 6.31 (393.4 x 352.0 x 160.3)	14.72 x 12.72 x 6.06 (373.9 x 323.1 x 153.9)	13.91 x 10.00 (353.3 x 254.0)	12.25 (311)	10.25 (260)	5.60 (142.3)	.38 (9.6)	16.21 x 10.00 (411.7 x 254.0)	16.98 (431.4)	6.59 (167.4)	.25 (6.35)
HW-*141208*	15.49 x 13.86 x 8.34 (393.4 x 352.0 x 211.8)	14.66 x 12.66 x 8.06 (372.4 x 321.6 x 204.7)	13.88 x 10.00 (352.5 x 254.0)	12.25 (311)	10.25 (260)	7.60 (193.2)	.38 (9.6)	16.19 x 10.00 (411.2 x 254.0)	16.96 (430.9)	8.59 (218.2)	.25 (6.35)
HW-*161408*	17.58 x 15.96 x 8.34 (446.6 x 405.4 x 211.8)	16.69 x 14.69 x 8.06 (424.0 x 373.1 x 204.7)	15.96 x 12.00 (405.4 x 304.8)	14.25 (362)	12.25 (311)	7.60 (193.2)	.38 (9.6)	18.26 x 12.00 (464.0 x 304.8)	19.04 (483.5)	8.59 (218.2)	.25 (6.35)
HW-*181610*	19.77 x 18.15 x 10.34 (502.2 x 461.0 x 262.6)	18.63 x 16.63 x 10.06 (473.2 x 422.4 x 255.5)	17.94 x 14.00 (455.6 x 355.6)	16.25 (413)	14.25 (362)	9.60 (243.9)	.38 (9.6)	20.24 x 14.00 (514.3 x 355.6)	21.02 (533.8)	10.59 (268.9)	.25 (6.35)
HW-*201610*	21.79 x 18.16 x 10.34 (553.5 x 461.2 x 262.6)	20.63 x 16.63 x 10.06 (524.0 x 422.4 x 255.5)	19.96 x 14.00 (506.9 x 355.6)	18.25 (463)	14.25 (362)	9.59 (243.7)	.38 (9.6)	22.26 x 14.00 (565.6 x 355.6)	23.04 (585.1)	10.59 (268.9)	.25 (6.35)

Dimensions in inches (millimeters). Letters in table correspond to letters on dimensional drawings.

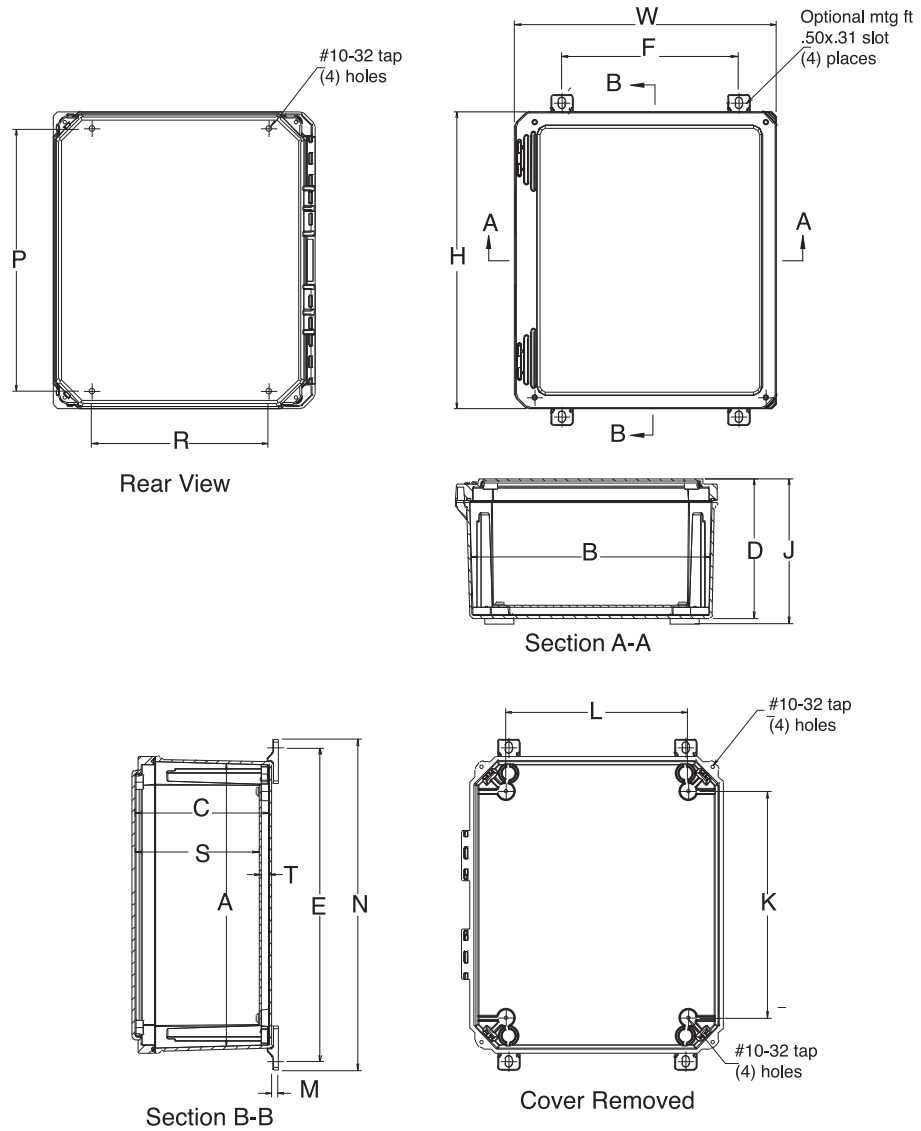
Note: Base Part Number denotes enclosure size only. Defining alphabetical characters are represented by an asterisk (for example: HW-*60604* denotes dimensions for HW-60604CHSC, HW-60604CHQR, HW-CC60604CHQR, or HW-CC60604CHTL. Do not use Base Part Numbers to order enclosures.

Use only complete part numbers when ordering.

For Optional Mounting Foot Kit for Slim Line Series see page E77. (Ref: HW-N4XMGFTKIT)

**PREMIUM SERIES NON-METALLIC ENCLOSURES
DIMENSIONS FOR PREMIER SERIES ENCLOSURES**

E55



**SLIM LINE SERIES NON-METALLIC ENCLOSURES
JUNCTION BOX WITH LIFT-OFF OPAQUE COVER**



HW-N4X1144

Industry Standards

- UL/cUL 50/508, Types 1, 3, 4X, 6P, 12
- CSA Standard C22.2 Types 1, 3, 4X, 6P, 12
- NEMA Standard 250 Types 1, 3, 4x, 6P, 12
- Temperature Range: -40°F to 250°F (-40°C to 120°C)
- Flammability Rating: UL94-5V
- Non-flame propagating



FEATURES-SPECIFICATIONS

Construction

- Hot compression molded fiberglass reinforced thermoset polyester
- Poured polyurethane seamless gasket provides watertight dust-tight environmental seal
- NEMA 4X rating
- Workable material cuts, drills, punches and saws with ease and accuracy
- Four recessed captive stainless steel screws
- Optional mounting foot kit available

- 300 Series stainless steel used on all external hardware
- Raised bosses with brass inserts accepting 10-32 screws for optional panel mounting
- Rounded edges, minimal protrusions or exposed pocket areas for accumulation of dust or debris
- Non-corrosive in chemical exposure
- Rated watertight and submersible for long periods
- High impact resistance

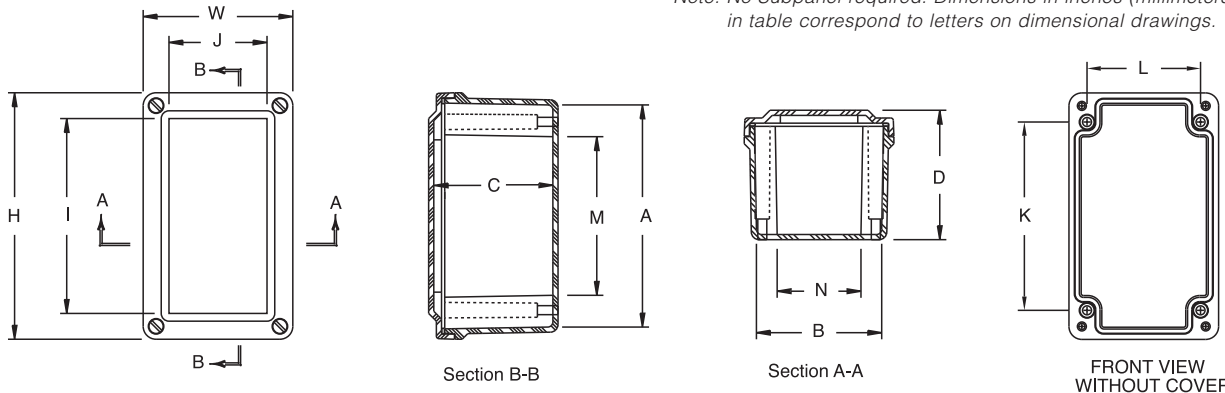
- Non-conductive double insulated material
- Lift-off cover with four cover screws
- Smooth surface, no color variations, swirls or color pockets, no voids
- Color: Gray

Accessories

- For Optional Mounting Foot Kit for Slim Line Series see page E77 (Ref: HW-N4XMGFTKIT)
- See pages E77-E79

CLEAR, HINGED COVER WITH LINK LOCK LATCHES PREMIER SERIES NON-METALLIC ENCLOSURES									
PART NUMBER	ENCLOSURE OVERALL SIZE HxWxD	ENCLOSURE INSIDE AxBxC	I	J	K	L	M	N	WT.
HW-N4X332	3.72 x 3.63 x 2.95 (95 x 92 x 75)	3.13 x 3.03 x 2.70 (79 x 77 x 69)	3.22 (82)	2.12 (54)	2.31 (59)	2.75 (70)	1.59 (40)	2.03 (52)	1 lb.
HW-N4X532	5.97 x 3.63 x 3.14 (152 x 92 x 80)	5.38 x 3.03 x 2.87 (137 x 77 x 73)	4.72 (120)	2.38 (60)	4.56 (116)	2.75 (70)	3.84 (98)	2.03 (52)	1 lb.
HW-N4X644	6.63 x 3.81 x 3.89 (168 x 97 x 99)	6.00 x 3.19 x 3.63 (153 x 81 x 92)	5.31 (135)	2.50 (64)	4.88 (124)	2.94 (75)	4.13 (105)	2.19 (56)	2 lbs.
HW-N4X832	8.41 x 3.63 x 3.14 (214 x 92 x 80)	7.82 x 3.03 x 2.87 (199 x 77 x 73)	7.16 (182)	2.38 (60)	7.00 (178)	2.75 (70)	6.28 (160)	2.03 (52)	2 lbs.
HW-N4X844	8.88 x 3.81 x 3.89 (225 x 97 x 99)	8.26 x 3.19 x 3.63 (210 x 81 x 92)	7.56 (192)	2.50 (64)	7.13 (181)	2.94 (75)	6.38 (162)	2.19 (56)	2 lbs.
HW-N4X932	9.35 x 3.63 x 3.14 (237 x 92 x 80)	8.75 x 3.03 x 2.87 (222 x 77 x 73)	8.10 (206)	2.38 (60)	7.94 (202)	2.75 (70)	7.22 (183)	2.03 (52)	2 lbs.
HW-N4X1144	11.13 x 3.81 x 3.89 (283 x 97 x 99)	10.51 x 3.19 x 3.63 (267 x 81 x 92)	9.81 (249)	2.50 (64)	9.37 (238)	2.94 (75)	8.63 (219)	2.19 (56)	2 lbs.
HW-N4X1432	13.78 x 3.63 x 3.14 (350 x 92 x 80)	13.19 x 3.03 x 2.87 (335 x 77 x 73)	12.53 (318)	2.38 (60)	12.37 (314)	2.75 (70)	11.66 (296)	2.03 (52)	2 lbs.
HW-N4X1732	17.35 x 3.63 x 3.14 (441 x 92 x 80)	16.75 x 3.03 x 2.87 (426 x 77 x 73)	16.10 (409)	2.50 (64)	15.94 (405)	2.75 (70)	15.22 (387)	2.03 (52)	3 lbs.

Note: No Subpanel required. Dimensions in inches (millimeters); letters in table correspond to letters on dimensional drawings.



**SLIM LINE SERIES NON-METALLIC ENCLOSURES
JUNCTION BOX WITH LIFT-OFF OPAQUE COVER**



HW-N4X763SC

Industry Standards

- UL/cUL 50/508, Types 1, 3, 4X, 6P, 12
- CSA Standard C22.2 Types 1, 3, 4x, 6P, 12
- NEMA Standard 250 Types 1, 3, 4x, 6P, 12
- Temperature Range: -40°F to 250°F (-40°C to 120°C)
- Flammability Rating: UL94-5V
- Non-flame propagating



FEATURES-SPECIFICATIONS

Construction

- Hot compression molded fiberglass reinforced thermoset polyester
- Poured polyurethane seamless gasket provides watertight dust-tight environmental seal
- NEMA 4X rating
- Workable material cuts, drills, punches and saws with ease and accuracy
- Four recessed captive stainless steel screws
- 300 Series stainless steel used on all external hardware

- Optional mounting foot kit available
- Raised bosses with brass inserts accepting 10-32 screws for optional panel mounting
- Rounded edges, minimal protrusions or exposed pocket areas for accumulation of dust or debris
- Non-corrosive in chemical exposure
- Rated watertight and submersible for long periods
- High impact resistance
- Non-conductive double insulated material

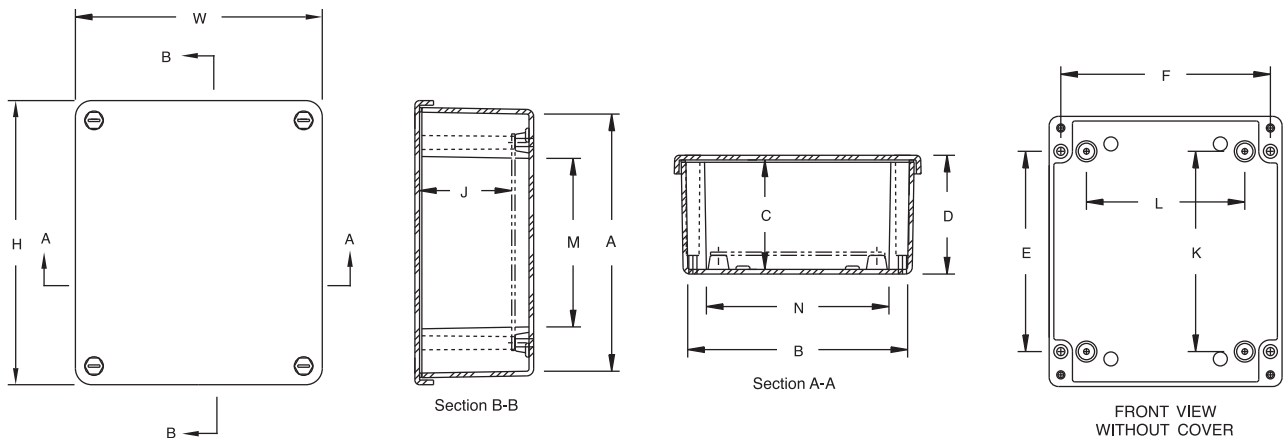
- Lift-off cover with four cover screws
- Smooth surface, no color variations, swirls or color pockets, no voids
- Optional carbon steel back panel available
- Color: Gray

Accessories

- For Optional Mounting Foot Kit for Slim Line Series see page E77 (Ref: HW-N4XMGFTKIT)
- See pages E77-E79

CLEAR, HINGED COVER WITH LINK LOCK LATCHES PREMIER SERIES NON-METALLIC ENCLOSURES										
PART NUMBER	ENCLOSURE OVERALL SIZE HxWxD	ENCLOSURE INSIDE AxBxC	WT.	CARBON STEEL SUBPANEL	MOUNTING ExF	J	K	L	M	N
HW-N4X763SC	7.63 x 6.63 x 3.19 (194 x 168 x 81)	6.90 x 5.90 x 2.88 (175 x 150 x 73)	3 lbs.	HW-MP706CS	5.37 x 5.63 (137 x 143)	2.48 (63)	5.37 (137)	4.25 (108)	4.52 (115)	4.9 (124)
HW-N4X963SC	9.87 x 6.63 x 3.19 (251 x 168 x 81)	9.15 x 5.90 x 2.88 (232 x 150 x 73)	3 lbs.	HW-MP906CS	7.62 x 5.63 (194 x 143)	2.48 (63)	7.62 (194)	4.25 (108)	6.77 (172)	4.9 (124)

Note: Subpanels must be ordered separately. Dimensions in inches (millimeters); letters in table correspond to letters on dimensional drawings.



PUSHBUTTON IN-LINE SERIES NON-METALLIC ENCLOSURES
30MM PUSHBUTTON IN-LINE WITH LIFT-OFF COVER



HW-N4X1PB

Industry Standards

- UL/cUL 50/508, Types 1, 3, 4X, 6P, 12
- CSA Standard C22.2 Types 1, 3, 4x, 6P, 12
- NEMA Standard 250 Types 1, 3, 4x, 6P, 12
- Temperature Range: -40°F to 250°F (-40°C to 120°C)
- Flammability Rating: UL94-5V
- Non-flame propagating



FEATURES-SPECIFICATIONS

Construction

- Hot compression molded fiberglass reinforced thermoset polyester
- Poured polyurethane seamless gasket provides watertight, dust-tight environmental seal
- Recessed captive stainless steel screws
- 300 Series stainless steel used on all external hardware

- Workable material cuts, drills, punches and saws with ease and accuracy
- **Optional** mounting foot kit available
- Rounded edges, minimal protrusions or exposed pocket area for accumulation of dust or debris
- Metal grounding strap
- Submersible, non-corrosive environmental design
- Lift off cover with four cover screws

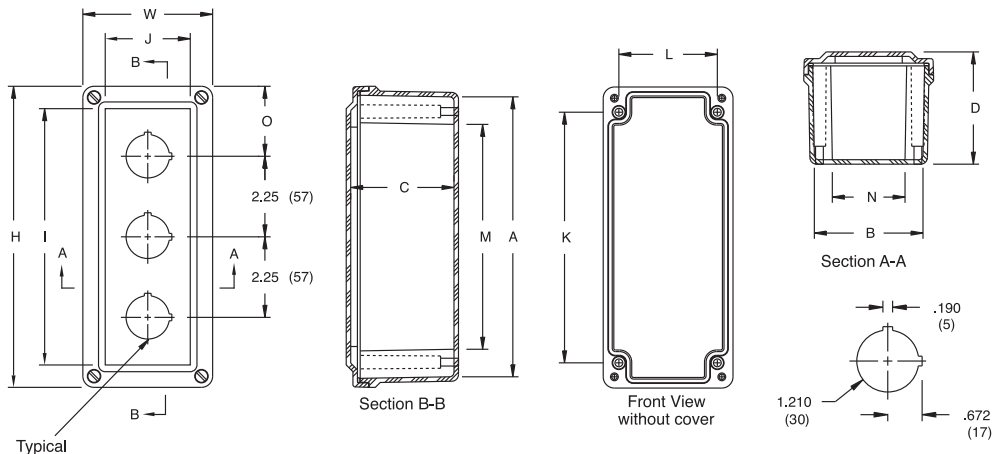
- Non-conductive, impact resistant, 7 UV resistant
- Smooth surface, no color variations, swirls or color pockets, no voids
- Color: Gray

Accessories

- For Optional Mounting Foot Kit for Slim Line Series see page E77 (Ref: HW-N4XMGFTKIT)
- See pages E77-E79

30MM PUSHBUTTON IN-LINE SERIES WITH LIFT-OFF COVER											
PART NUMBER	PB CUTOUTS	ENCLOSURE OVERALL SIZE HxWxD	ENCLOSURE INSIDE DIMENSIONS AxBxC	I	J	K	L	M	N	O	WT.
HW-N4X1PB	1	6.63 x 3.81 x 3.89 (168 x 97 x 99)	6.00x3.19x 3.63 (153x81x92)	5.31 (135)	2.5 (64)	4.88 (124)	2.94 (75)	4.13 (105)	2.19 (56)	3.31 (84)	2 lbs.
HW-N4X2PB	2	6.63 x 3.81 x 3.89 (168 x 97 x 99)	6.00x3.19x3.63 (153x81x92)	5.31 (135)	2.5 (64)	4.88 (124)	2.94 (75)	4.13 (105)	2.19 (56)	2.19 (56)	2 lbs.
HW-N4X3PB	3	8.88 x 3.81 x 3.89 (225 x 97 x 99)	8.26x3.19x3.63 (210x81x92)	7.56 (192)	2.5 (64)	7.13 (181)	2.94 (75)	6.38 (162)	2.19 (56)	2.19 (56)	2 lbs.
HW-N4X4PB	4	11.13 x 3.81 x 3.89 (283 x 97 x 99)	10.51x3.19x3.63 (267x81x92)	9.81 (249)	2.5 (64)	9.37 (238)	2.94 (75)	8.63 (219)	2.19 (56)	2.19 (56)	2 lbs.
HW-N4X5PB	5	13.78 x 3.63 x 3.14 (350 x 92 x 80)	13.19x3.03x2.87 (335x77x73)	12.53 (318)	2.38 (60)	12.37 (314)	2.75 (70)	11.66 (296)	2.03 (52)	2.39 (61)	2 lbs.
HW-N4X6PB	6	17.35 x 3.63 x 3.14 (441 x 92 x 80)	16.75x3.03x2.87 (426x77x73)	16.1 (409)	2.38 (60)	15.94 (405)	2.75 (70)	15.22 (387)	2.03 (52)	3.05 (77)	3 lbs.
HW-N4X7PB	7	17.35 x 3.63 x 3.14 (441 x 92 x 80)	16.75x3.03x2.87 (426x77x73)	16.1 (409)	2.38 (60)	15.94 (405)	2.75 (70)	15.22 (387)	2.03 (52)	1.92 (49)	3 lbs.

Note: Dimensions in inches (millimeters); letters in table correspond to letters on dimensional drawings.



PUSHBUTTON IN-LINE SERIES NON-METALLIC ENCLOSURES
22MM PUSHBUTTON IN-LINE WITH LIFT-OFF COVER



HW-N4X4PB-SS

Industry Standards

- UL/cUL 50/508, Types 1, 3, 4X, 6P, 12
- CSA Standard C22.2 Types 1, 3, 4x, 6P, 12
- NEMA Standard 250 Types 1, 3, 4x, 6P, 12
- Temperature Range: -40°F to 250°F (-40°C to 120°C)
- Flammability Rating: UL94-5V
- Non-flame propagating



FEATURES-SPECIFICATIONS

Construction

- Hot compression molded fiberglass reinforced thermoset polyester
- Poured polyurethane seamless gasket provides watertight, dust-tight environmental seal
- Recessed captive stainless steel screws
- 300 Series stainless steel used on all external hardware

- Workable material cuts, drills, punches and saws with ease and accuracy
- **Optional** mounting foot kit available
- Rounded edges, minimal protrusions or exposed pocket area for accumulation of dust or debris
- Metal grounding strap
- Submersible, non-corrosive environmental design
- Lift off cover with four cover screws

- Non-conductive, impact resistant, UV resistant
- Smooth surface, no color variations, swirls or color pockets, no voids
- Color: Gray

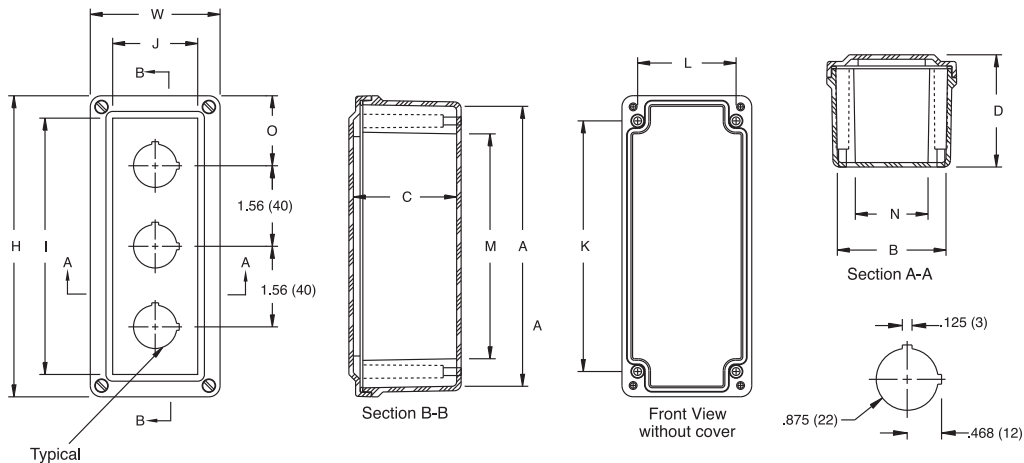
Accessories

- For Optional Mounting Foot Kit for Slim Line Series see page E77 (Ref: HW-N4XMGFTKIT)
- See pages E77-E79

22MM PUSHBUTTON IN-LINE SERIES WITH LIFT-OFF COVER

PART NUMBER	PB CUTOUTS	ENCLOSURE OVERALL SIZE HxWxD	ENCLOSURE INSIDE DIMENSIONS AxBxC	I	J	K	L	M	N	O	WT.
HW-N4X1PB-22	1	6.63 x 3.81 x 3.89 (168 x 97 x 99)	6.00 x 3.19 x 3.63 (153 x 81 x 92)	5.31 (135)	2.5 (64)	4.88 (124)	2.94 (75)	4.13 (105)	2.19 (56)	3.31 (84)	2 lbs.
HW-N4X2PB-22	2	6.63 x 3.81 x 3.89 (168 x 97 x 99)	6.00 x 3.19 x 3.63 (153 x 81 x 92)	5.31 (135)	2.5 (64)	4.88 (124)	2.94 (75)	4.13 (105)	2.19 (56)	2.53 (64)	2 lbs.
HW-N4X3PB-22	3	6.63 x 3.81 x 3.89 (168 x 97 x 99)	6.00 x 3.19 x 3.63 (153 x 81 x 92)	5.31 (135)	2.5 (64)	4.88 (124)	2.94 (75)	4.13 (105)	2.19 (56)	1.75 (44)	2 lbs.
HW-N4X4PB-22	4	8.88 x 3.81 x 3.89 (225 x 97 x 99)	8.26 x 3.19 x 3.63 (210 x 81 x 92)	7.56 (192)	2.5 (64)	7.13 (181)	2.94 (75)	6.38 (162)	2.19 (56)	2.09 (53)	2 lbs.
HW-N4X5PB-22	5	11.13 x 3.81 x 3.89 (283 x 97 x 99)	10.51 x 3.19 x 3.63 (267 x 81 x 92)	9.81 (249)	2.5 (64)	9.37 (238)	2.94 (75)	8.63 (219)	2.19 (56)	2.44 (62)	2 lbs.
HW-N4X6PB-22	6	11.13 x 3.81 x 3.89 (283 x 97 x 99)	10.51 x 3.19 x 3.63 (267 x 81 x 92)	9.81 (249)	2.5 (64)	9.37 (238)	2.94 (75)	8.63 (219)	2.19 (56)	1.66 (42)	3 lbs.
HW-N4X7PB-22	7	13.78 x 3.63 x 3.14 (350 x 92 x 80)	13.19 x 3.03 x 2.87 (335 x 77 x 73)	12.53 (318)	2.38 (60)	12.37 (314)	2.75 (70)	11.66 (296)	2.03 (52)	2.20 (56)	3 lbs.

Note: Dimensions in inches (millimeters); letters in table correspond to letters on dimensional drawings.





HW-N4X12PBW

Industry Standards

- UL/cUL 50/508, Types 1, 3, 4X, 6P, 12
- CSA Standard C22.2 Types 1, 3, 4x, 6P, 12
- NEMA Standard 250 Types 1, 3, 4x, 6P, 12
- Temperature Range: -40°F to 250°F (-40°C to 120°C)
- Flammability Rating: UL94-5V
- Non-flame propagating


FEATURES-SPECIFICATIONS
Construction

- Hot compression molded fiberglass reinforced thermoset polyester
- Poured polyurethane seamless gasket provides watertight, dust-tight environmental seal
- Recessed captive stainless steel screws
- 300 Series stainless steel used on all external hardware
- Integral mounting flange for easy mounting

- Optional mounting foot kit not available on this model
- Rounded edges, minimal protrusions or exposed pocket areas for accumulation of dust or debris
- Raised bosses with brass inserts accepting 10-32 screws for optional panel mounting
- Stainless steel beaded cover retention chain
- Metal grounding strap

- Submersible, non-corrosive environmental design
- Lift off cover with four cover screws
- Non-conductive, impact resistant, UV resistant
- Smooth surface, no color variations, swirls or color pockets, no voids
- Color: Gray

Accessories

- See pages E77-E79

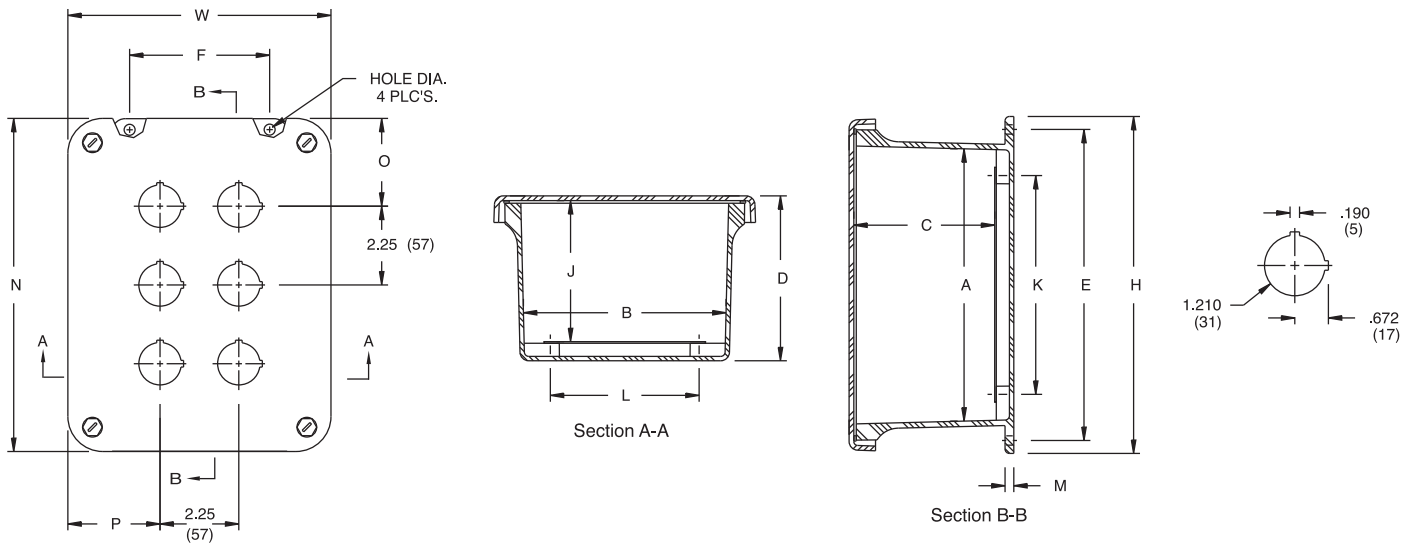
30MM MULTI-HOLE PUSHBUTTON SERIES WITH LIFT-OFF COVER							
PART NUMBER	ENCLOSURE OVERALL SIZE HxWxD	ENCLOSURE INSIDE AxBxC	WT.	CARBON STEEL SUBPANEL	FIBERGLASS SUBPANEL	STAINLESS STEEL SUBPANEL	ALUMINUM SUBPANEL
HW-N4X4PBW	7.50 x 7.50 x 4.75 (191 x 191 x 121)	5.72 x 5.72 x 4.45 (145 x 145 x 113)	2.75 lbs.	HW-MP606CS	HW-MP606FG	HW-MP606SS	HW-MP606A
HW-N4X6PBW	9.62 x 7.50 x 4.74 (244 x 191 x 121)	7.73 x 5.74 x 4.45 (196 x 146 x 113)	3.5 lbs.	HW-MP806CS	HW-MP806FG	HW-MP806SS	HW-MP806A
HW-N4X9PBW	11.62 x 9.41 x 4.25 (295 x 239 x 108)	9.73 x 7.73 x 3.98 (247 x 196 x 101)	5 lbs.	HW-MP1008CS	HW-MP1008FG	HW-MP1008SS	HW-MP1008A
HW-N4X12PBW	11.62 x 9.41 x 4.25 (295 x 239 x 108)	9.73 x 7.73 x 3.98 (24 x 196 x 101)	5 lbs.	HW-MP1008CS	HW-MP1008FG	HW-MP1008SS	HW-MP1008A
HW-N4X16PBW	13.56 x 11.43 x 5.21 (344 x 291 x 132)	11.79 x 9.80 x 4.94 (299 x 249 x 125)	6.5 lbs.	HW-MP1210CS	HW-MP1210FG	HW-MP1210SS	HW-MP1210A
HW-N4X20PBW	13.56 x 11.43 x 5.21 (344 x 291 x 132)	11.79 x 9.80 x 4.94 (299 x 249 x 125)	6.5 lbs.	HW-MP1210CS	HW-MP1210FG	HW-MP1210SS	HW-MP1210A
HW-N4X25PBW	15.50 x 13.50 x 6.25 (394 x 343 x 159)	13.53 x 11.55 x 5.94 (344 x 293 x 151)	8.5 lbs.	HW-MP1412CS	HW-MP1412FG	HW-MP1412SS	HW-MP1412A

Note: Subpanels must be ordered separately. Dimensions in inches (millimeters)



30MM MULTI-HOLE PUSHBUTTON SERIES WITH LIFT-OFF COVER												
PART NUMBER	PB CUTOUTS	ENCLOSURE OVERALL SIZE HxWxD	ENCLOSURE INSIDE AxBxC	MOUNTING ExF	J	K	L	N	M	O	P	HOLE DIA.
HW-N4X4PBW	4	7.50 x 7.50 x 4.75 (91 x 191 x 121)	5.72 x 5.72 x 4.45 (145 x 145 x 113)	6.75 x 4 (171 x 101)	4 (101)	4.25 (108)	4.25 (108)	0.25 (6)	7.52 (191)	2.64 (67)	2.64 (67)	0.31(8)
HW-N4X6PBW	6	9.62 x 7.50 x 4.74 (244 x 191 x 121)	7.73 x 5.74 x 4.45 (196 x 146 x 113)	8.88 x 4 (225 x 101)	4 (101)	6.25 (159)	4.25 (108)	0.25 (6)	9.5 (242)	2.64 (67)	2.51 (64)	0.31(8)
HW-N4X9PBW	9	11.62 x 9.41 x 4.25 (295 x 239 x 108)	9.73 x 7.73 x 3.98 (247 x 196 x 101)	10.75 x 6 (273 x 152)	3.5 (89)	8.25 (209)	6.25 (159)	0.25 (6)	11.35(288)	3.43 (87)	2.45 (62)	0.31(8)
HW-N4X12PBW	12	11.62 x 9.41 x 4.25 (295 x 239 x 108)	9.73 x 7.73 x 3.98 (24 x 196 x 101)	10.75 x 6 (273 x 152)	3.5 (89)	8.25 (209)	6.25 (159)	0.25 (6)	11.35(288)	2.3 (58)	2.45 (62)	0.31(8)
HW-N4X16PBW	16	13.56 x 11.43 x 5.21 (344 x 291 x 132)	11.79 x 9.80 x 4.94 (299 x 249 x 125)	12.75 x 8 (324 x 203)	4.5 (114)	10.25 (260)	8.25 (209)	0.25 (6)	13.41(341)	3.33 (85)	2.30 (58)	0.31(8)
HW-N4X20PBW	20	13.56 x 11.43 x 5.21 (344 x 291 x 132)	11.79 x 9.80 x 4.94 (299 x 249 x 125)	12.75 x 8 (324 x 203)	4.5 (114)	10.25 (260)	8.25 (209)	0.25 (6)	13.41(341)	2.2 (56)	2.10 (53)	0.31(8)
HW-N4X25PBW	25	15.50 x 13.50 x 6.25 (394 x 343 x 159)	13.53 x 11.55 x 5.94 (344 x 293 x 151)	14.62 x 10 (371 x 254)	5.37(137)	12.25 (311)	10.25 (260)	0.25 (6)	15.47(393)	3.24 (82)	2.25 (57)	0.31(8)

Note: Subpanels must be ordered separately. Dimensions in inches (millimeters); letters in table correspond to letters on dimensional drawings.



JIC SERIES NON-METALLIC ENCLOSURES OPAQUE, LIFT-OFF COVER WITH FOUR SCREWS



HW-J100805SC
CROWNED COVER MODEL SHOWN

Industry Standards

- UL/cUL 50/508, Types 1, 3, 4X, 6P, 12
- CSA Standard C22.2 Types 1, 3, 4x, 6P, 12
- NEMA Standard 250 Types 1, 3, 4x, 6P, 12
- Temperature Range: -40°F to 250°F (-40°C to 120°C)
- Flammability Rating: UL94-5V
- Non-flame propagating

 UL File E64791

 CSA File 222873

FEATURES-SPECIFICATIONS

Construction

- Hot compression molded fiberglass reinforced thermoset polyester
- Poured polyurethane seamless gasket provides watertight, dust-tight environmental seal
- Recessed pan head screws – no protruding surfaces
- 300 Series stainless used on all external hardware
- Rounded edges, minimal protrusions or exposed pocket area for accumulation of dust or debris

- Molded in flange for easy mounting
- Panel mounting capability for fixed rear panel
- Raised bosses with brass inserts accepting 10-32 screws for optional panel mounting
- Stainless steel beaded cover retention chain
- Workable material cuts, drills, punches and saws with ease and accuracy
- Submersible, non-corrosive environmental design

- Lift off cover

- Non-conductive, impact resistant, UV resistant
- Smooth surface, no color variations, swirls or color pockets, no voids

Accessories

- See pages E77-E79

JIC SERIES WITH OPAQUE, LIFT OFF, FOUR-SCREW COVER							
PART NUMBER	ENCLOSURE OVERALL SIZE HxWxD	ENCLOSURE INSIDE AxBxC	WT.	CARBON STEEL SUBPANEL	FIBERGLASS SUBPANEL	STAINLESS STEEL SUBPANEL	ALUMINUM SUBPANEL
HW-J60404SC	7.50 x 5.43 x 4.75 (191 x 138 x 121)	5.84 x 3.85 x 4.45 (148 x 98 x 113)	2.5 lbs.	HW-MP604CS	HW-MP604FG	HW-MP604SS	HW-MP604A
HW-J60604SC	7.50 x 7.50 x 4.75 (191 x 191 x 121)	5.72 x 5.72 x 4.45 (145 x 145 x 113)	2.75 lbs.	HW-MP606CS	HW-MP606FG	HW-MP606SS	HW-MP606A
HW-J80604SC	9.62 x 7.50 x 4.74 (244 x 191 x 121)	7.73 x 5.74 x 4.45 (196 x 146 x 113)	3.5 lbs.	HW-MP806CS	HW-MP806FG	HW-MP806SS	HW-MP806A
HW-J100804SC	11.62 x 9.41 x 4.25 (295 x 239 x 108)	9.73 x 7.73 x 3.98 (247 x 196 x 101)	5 lbs.	HW-MP1008CS	HW-MP1008FG	HW-MP1008SS	HW-MP1008A
HW-J100805SC (crowned cover)*	11.62 x 9.37 x 5.06 (295 x 238 x 129)	9.73 x 7.73 x 4.83 (247 x 196 x 123)	5 lbs.	HW-MP1008CS	HW-MP1008FG	HW-MP1008SS	HW-MP1008A
HW-J121005SC	13.56 x 11.43 x 5.21 (344 x 291 x 132)	11.79 x 9.80 x 4.94 (299 x 249 x 125)	6.5 lbs.	HW-MP1210CS	HW-MP1210FG	HW-MP1210SS	HW-MP1210A
HW-J141206SC	15.50 x 13.50 x 6.25 (394 x 343 x 159)	13.53 x 11.55 x 5.94 (344 x 293 x 151)	8.5 lbs.	HW-MP1412CS	HW-MP1412FG	HW-MP1412SS	HW-MP1412A
HW-J161406SC	17.53 x 15.46 x 6.23 (445 x 393 x 158)	15.63 x 13.60 x 5.94 (397 x 345 x 151)	11.5 lbs.	HW-MP1614CS	HW-MP1614FG	HW-MP1614SS	HW-MP1614A
HW-J181608SC	19.62 x 17.61 x 8.82 (498 x 447 x 224)	17.69 x 15.69 x 8.45 (449 x 399 x 215)	19.25 lbs.	HW-MP1816CS	HW-MP1816FG	HW-MP1816SS	HW-MP1816A
HW-J201608SC	22.00 x 17.68 x 8.83 (559 x 449 x 224)	19.72 x 15.72 x 8.45 (501 x 399 x 215)	20.25 lbs.	HW-MP2016CS	HW-MP2016FG	HW-MP2016SS	HW-MP2016A

Note: Subpanels must be ordered separately. Dimensions in inches (millimeters).

*Note: In crowned cover units, the center of the cover is raised 3/4". Crowned cover is available only in 10x8x5 size enclosure.



HW-J100804CHSC

Industry Standards

- UL/cUL 50/508, Types 1, 3, 3S, 12, 13, 4x
- CSA Standard C22.2 Types 1, 3, 3S, 12, 13, 4x
- NEMA Standard 250 Types 1, 3, 3S, 12, 13, 4x
- IEC 60529 IP66
- UL94 V-0, 5V flammability rating
- Non-flame propagating
- Flame Spread classification per NFPA No. 101, Class A (1)
- Temperature Range: -40°F to 250°F (-40°C to 120°C)



FEATURES-SPECIFICATIONS

Construction

- Hot compression molded fiberglass reinforced thermoset polyester
- Poured polyurethane seamless gasket provides watertight, dust-tight environmental seal
- Recessed pan head screws – no protruding surfaces
- 300 Series stainless steel used on all external hardware
- Rounded edges, minimal protrusions or exposed pocket area for accumulation of dust or debris

- Molded in flange for easy mounting
- Panel mounting capability for fixed rear panel
- Raised bosses with brass inserts accepting 10-32 screws for optional panel mounting
- Workable material cuts, drills, punches and saws with ease and accuracy
- Submersible, non-corrosive environmental design
- Full length stainless steel hinged cover

- Full 180° door opening
- Non-conductive, impact resistant, UV resistant
- Smooth surface, no color variations, swirls or color pockets, no voids
- Color: Gray

Accessories

- See pages E77-E79

JIC SERIES WITH OPAQUE, HINGED, TWO-SCREW COVER							
PART NUMBER	ENCLOSURE OVERALL SIZE HxWxD	ENCLOSURE INSIDE AxBxC	WT.	CARBON STEEL SUBPANEL	FIBERGLASS SUBPANEL	STAINLESS STEEL SUBPANEL	ALUMINUM SUBPANEL
HW-J60404CHSC	7.50 x 5.43 x 4.75 (191 x 138 x 121)	5.84 x 3.85 x 4.45 (148 x 98 x 113)	2.5 lbs.	HW-MP604CS	HW-MP604FG	HW-MP604SS	HW-MP604A
HW-J60604CHSC	7.50 x 7.50 x 4.75 (191 x 191 x 121)	5.72 x 5.72 x 4.45 (145 x 145 x 113)	2.75 lbs.	HW-MP606CS	HW-MP606FG	HW-MP606SS	HW-MP606A
HW-J80604CHSC	9.62 x 7.50 x 4.74 (244 x 191 x 121)	7.73 x 5.74 x 4.45 (196 x 146 x 113)	3.5 lbs.	HW-MP806CS	HW-MP806FG	HW-MP806SS	HW-MP806A
HW-J100804CHSC	11.62 x 9.41 x 4.25 (295 x 239 x 108)	9.73 x 7.73 x 3.98 (247 x 196 x 101)	5 lbs.	HW-MP1008CS	HW-MP1008FG	HW-MP1008SS	HW-MP1008A
HW-J100805CHSC (crowned cover)*	11.62 x 9.37 x 5.06 (295 x 238 x 129)	9.73 x 7.73 x 4.83 (247 x 196 x 123)	5 lbs.	HW-MP1008CS	HW-MP1008FG	HW-MP1008SS	HW-MP1008A
HW-J121005CHSC	13.56 x 11.43 x 5.21 (344 x 291 x 132)	11.79 x 9.80 x 4.94 (299 x 249 x 125)	6.5 lbs.	HW-MP1210CS	HW-MP1210FG	HW-MP1210SS	HW-MP1210A
HW-J141206CHSC	15.50 x 13.50 x 6.25 (394 x 343 x 159)	13.53 x 11.55 x 5.94 (344 x 293 x 151)	8.5 lbs.	HW-MP1412CS	HW-MP1412FG	HW-MP1412SS	HW-MP1412A
HW-J161406CHSC	17.53 x 15.46 x 6.23 (445 x 393 x 158)	15.63 x 13.60 x 5.94 (397 x 345 x 151)	11.5 lbs.	HW-MP1614CS	HW-MP1614FG	HW-MP1614SS	HW-MP1614A
HW-J181608CHSC	19.62 x 17.61 x 8.82 (498 x 447 x 224)	17.69 x 15.69 x 8.45 (449 x 399 x 215)	19.25 lbs.	HW-MP1816CS	HW-MP1816FG	HW-MP1816SS	HW-MP1816A
HW-J201608CHSC	22.00 x 17.68 x 8.83 (559 x 449 x 224)	19.72 x 15.72 x 8.45 (501 x 399 x 215)	20.25 lbs.	HW-MP2016CS	HW-MP2016FG	HW-MP2016SS	HW-MP2016A

Note: Subpanels must be ordered separately. Dimensions in inches (millimeters).

*Note: In crowned cover units, the center of the cover is raised 3/4". Crowned cover is available only in 10x8x5 size enclosure.

JIC SERIES NON-METALLIC ENCLOSURES OPAQUE, HINGED COVER WITH QUICK RELEASE LATCHES



HW-J121005CHQR

Industry Standards

- UL/cUL 50/508, Types 1, 3, 4X, 6P, 12
- CSA Standard C22.2 Types 1, 3, 4x, 6P, 12
- NEMA Standard 250 Types 1, 3, 4x, 6P, 12
- Temperature Range: -40°F to 250°F (-40°C to 120°C)
- Flammability Rating: UL94-5V
- Non-flame propagating



FEATURES-SPECIFICATIONS

Construction

- Hot compression molded fiberglass reinforced thermoset polyester
- Poured polyurethane seamless gasket provides watertight, dust-tight environmental seal
- Recessed pan head screws – no protruding surfaces
- 300 Series stainless steel used on all external hardware
- Rounded edges, minimal protrusions or exposed pocket areas for accumulation of dust or debris

- Molded in flange for easy mounting
- Panel mounting capability for fixed rear panel
- Raised bosses with brass inserts accepting 10-32 screws for optional panel mounting
- Workable material cuts, drills, punches and saws with ease and accuracy
- Submersible, non-corrosive environmental design
- Full length stainless steel hinged cover

- Integral hasp provides secure loop for padlock (padlock not included)
- Non-conductive, impact resistant, UV resistant
- Smooth surface, no color variations, swirls or color pockets, no voids
- Color: Gray

Accessories

- See pages E77-E79

JIC SERIES WITH OPAQUE HINGED COVER AND QUICK RELEASE LATCHES							
PART NUMBER	ENCLOSURE OVERALL SIZE HxWxD	ENCLOSURE INSIDE AxBxC	WT.	CARBON STEEL SUBPANEL	FIBERGLASS SUBPANEL	STAINLESS STEEL SUBPANEL	ALUMINUM SUBPANEL
HW-J60404CHQR	7.50 x 5.43 x 4.75 (191 x 138 x 121)	5.84 x 3.85 x 4.45 (148 x 98 x 113)	2.5 lbs.	HW-MP604CS	HW-MP604FG	HW-MP604SS	HW-MP604A
HW-J60604CHQR	7.50 x 7.50 x 4.75 (191 x 191 x 121)	5.72 x 5.72 x 4.45 (145 x 145 x 113)	2.75 lbs.	HW-MP606CS	HW-MP606FG	HW-MP606SS	HW-MP606A
HW-J80604CHQR	9.62 x 7.50 x 4.74 (244 x 191 x 121)	7.73 x 5.74 x 4.45 (196 x 146 x 113)	3.5 lbs.	HW-MP806CS	HW-MP806FG	HW-MP806SS	HW-MP806A
HW-J100804CHQR	11.62 x 9.41 x 4.25 (295 x 239 x 108)	9.73 x 7.73 x 3.98 (247 x 196 x 101)	5 lbs.	HW-MP1008CS	HW-MP1008FG	HW-MP1008SS	HW-MP1008A
HW-J100805CHQR (crowned cover)*	11.62 x 9.37 x 5.06 (295 x 238 x 129)	9.73 x 7.73 x 4.83 (247 x 196 x 123)	5 lbs.	HW-MP1008CS	HW-MP1008FG	HW-MP1008SS	HW-MP1008A
HW-J121005CHQR	13.56 x 11.43 x 5.21 (344 x 291 x 132)	11.79 x 9.80 x 4.94 (299 x 249 x 125)	6.5 lbs.	HW-MP1210CS	HW-MP1210FG	HW-MP1210SS	HW-MP1210A
HW-J141206CHQR	15.50 x 13.50 x 6.25 (394 x 343 x 159)	13.53 x 11.55 x 5.94 (344 x 293 x 151)	8.5 lbs.	HW-MP1412CS	HW-MP1412FG	HW-MP1412SS	HW-MP1412A
HW-J161406CHQR	17.53 x 15.46 x 6.23 (445 x 393 x 158)	15.63 x 13.60 x 5.94 (397 x 345 x 151)	11.5 lbs.	HW-MP1614CS	HW-MP1614FG	HW-MP1614SS	HW-MP1614A
HW-J181608CHQR	19.62 x 17.61 x 8.82 (498 x 447 x 224)	17.69 x 15.69 x 8.45 (449 x 399 x 215)	19.25 lbs.	HW-MP1816CS	HW-MP1816FG	HW-MP1816SS	HW-MP1816A
HW-J201608CHQR	22.00 x 17.68 x 8.83 (559 x 449 x 224)	19.72 x 15.72 x 8.45 (501 x 399 x 215)	20.25 lbs.	HW-MP2016CS	HW-MP2016FG	HW-MP2016SS	HW-MP2016A

Note: Subpanels must be ordered separately. Dimensions in inches (millimeters).

*Note: In crowned cover units, the center of the cover is raised 3/4". Crowned cover is available only in 10x8x5 size enclosure.

JIC SERIES NON-METALLIC ENCLOSURES HINGED COVER WITH LINK-LOCK LATCHES AND WINDOW

E65



HW-J121005CHTLW

Industry Standards

- UL/cUL 50/508, Types 1, 3, 4X, 6P, 12
- CSA Standard C22.2 Types 1, 3, 4x, 6P, 12
- NEMA Standard 250 Types 1, 3, 4x, 6P, 12
- Temperature Range: -40°F to 250°F (-40°C to 120°C)
- Flammability Rating: UL94-5V
- Window flammability: UL94V-0
- Non-flame propagating

UL File E64791

CSA File 222873

FEATURES-SPECIFICATIONS

Construction

- Hot compression molded fiberglass reinforced thermoset polyester
- Poured polyurethane seamless gasket provides watertight, dust-tight environmental seal
- Full length stainless steel hinge
- 300 Series stainless steel used on all external hardware
- Rounded edges, minimal protrusions or exposed pocket area for accumulation of dust or debris

- Molded in flange for easy mounting
- Panel mounting capability for fixed rear panel
- Raised bosses with brass inserts accepting 10-32 screws for optional panel mounting
- Workable material cuts, drills, punches and saws with ease and accuracy
- Link lock latch for quick entry
- Latch lies flat on side of enclosure
- Scratch and abrasion resistant UVA acrylic flush bonded window

- Submersible, non-corrosive environmental design
- Full 180° door opening
- Non-conductive, impact resistant, UV resistant
- Smooth surface, no color variations, swirls or color pockets, no voids
- Color: Gray

Accessories

- See pages E77-E79

JIC SERIES WITH WINDOW AND TWO LINK-LOCK LATCHES							
PART NUMBER	ENCLOSURE OVERALL SIZE HxWxD	ENCLOSURE INSIDE AxBxC	WT.	CARBON STEEL SUBPANEL	FIBERGLASS SUBPANEL	STAINLESS STEEL SUBPANEL	ALUMINUM SUBPANEL
HW-J60404CHTLW	7.50 x 5.43 x 4.75 (191 x 138 x 121)	5.84 x 3.85 x 4.45 (148 x 98 x 113)	2.5 lbs.	HW-MP604CS	HW-MP604FG	HW-MP604SS	HW-MP604A
HW-J60604CHTLW	7.50 x 7.50 x 4.75 (191 x 191 x 121)	5.72 x 5.72 x 4.45 (145 x 145 x 113)	2.75 lbs.	HW-MP606CS	HW-MP606FG	HW-MP606SS	HW-MP606A
HW-J80604CHTLW	9.62 x 7.50 x 4.74 (244 x 191 x 121)	7.73 x 5.74 x 4.45 (196 x 146 x 113)	3.5 lbs.	HW-MP806CS	HW-MP806FG	HW-MP806SS	HW-MP806A
HW-J100804CHTLW	11.62 x 9.41 x 4.25 (295 x 239 x 108)	9.73 x 7.73 x 3.98 (247 x 196 x 101)	5 lbs.	HW-MP1008CS	HW-MP1008FG	HW-MP1008SS	HW-MP1008A
HW-J100805CHTLW (crowned cover)*	11.62 x 9.37 x 5.06 (295 x 238 x 129)	9.73 x 7.73 x 4.83 (247 x 196 x 123)	5 lbs.	HW-MP1008CS	HW-MP1008FG	HW-MP1008SS	HW-MP1008A
HW-J121005CHTLW	13.56 x 11.43 x 5.21 (344 x 291 x 132)	11.79 x 9.80 x 4.94 (299 x 249 x 125)	6.5 lbs.	HW-MP1210CS	HW-MP1210FG	HW-MP1210SS	HW-MP1210A
HW-J141206CHTLW	15.50 x 13.50 x 6.25 (394 x 343 x 159)	13.53 x 11.55 x 5.94 (344 x 293 x 151)	8.5 lbs.	HW-MP1412CS	HW-MP1412FG	HW-MP1412SS	HW-MP1412A
HW-J161406CHTLW	17.53 x 15.46 x 6.23 (445 x 393 x 158)	15.63 x 13.60 x 5.94 (397 x 345 x 151)	11.5 lbs.	HW-MP1614CS	HW-MP1614FG	HW-MP1614SS	HW-MP1614A
HW-J181608CHTLW	19.62 x 17.61 x 8.82 (498 x 447 x 224)	17.69 x 15.69 x 8.45 (449 x 399 x 215)	19.25 lbs.	HW-MP1816CS	HW-MP1816FG	HW-MP1816SS	HW-MP1816A
HW-J201608CHTLW	22.00 x 17.68 x 8.83 (559 x 449 x 224)	19.72 x 15.72 x 8.45 (501 x 399 x 215)	20.25 lbs.	HW-MP2016CS	HW-MP2016FG	HW-MP2016SS	HW-MP2016A

Note: Subpanels must be ordered separately. Dimensions in inches (millimeters).

*Note: In crowned cover units, the center of the cover is raised 3/4". Crowned cover is available only in 10x8x5 size enclosure.

**JIC SERIES NON-METALLIC ENCLOSURES
OPAQUE, HINGED COVER WITH QUICK RELEASE LATCHES AND WINDOW**



HW-J100804CHQRW

Industry Standards

- UL/cUL 50/508, Types 1, 3, 4X, 6P, 12
- CSA Standard C22.2 Types 1, 3, 4x, 6P, 12
- NEMA Standard 250 Types 1, 3, 4x, 6P, 12
- Temperature Range: -40°F to 250°F (-40°C to 120°C)
- Flammability Rating: UL94-5V
- Window flammability: UL94V-0
- Non-flame propagating

 UL File E64791

 CSA File 222873

FEATURES-SPECIFICATIONS

Construction

- Hot compression molded fiberglass reinforced thermoset polyester
- Poured polyurethane seamless gasket provides watertight, dust-tight environmental seal
- Full length stainless steel hinge
- 300 Series stainless steel used on all external hardware
- Rounded edges, minimal protrusions or exposed pocket area for accumulation of dust or debris
- Molded-in flange for easy mounting

- Panel mounting capability for fixed rear panel
- Raised bosses with brass inserts accepting 10-32 screws for optional panel mounting
- Workable material cuts, drills, punches and saws with ease and accuracy
- Padlock latch (padlock not included)
- Snap catch concept with toggle action
- Scratch and abrasion resistant UVA acrylic flush bonded window

- Submersible, non-corrosive environmental design
- Full 180° door opening
- Non-conductive, impact resistant, UV resistant
- Smooth surface, no color variations, swirls or color pockets, no voids
- Color: Gray

Accessories

- See pages E77-E79

JIC SERIES WITH QUICK RELEASE LATCHES AND WINDOW								
PART NUMBER	ENCLOSURE OVERALL SIZE HxWxD	ENCLOSURE INSIDE AxBxC	WINDOW AREA (MAX.)	WT.	CARBON STEEL SUBPANEL	FIBERGLASS SUBPANEL	STAINLESS STEEL SUBPANEL	ALUMINUM SUBPANEL
HW-J60404CHQRW	7.50 x 5.43 x 4.75 (191 x 138 x 121)	5.84 x 3.85 x 4.45 (148 x 98 x 113)	4.25 x 2.25 (108 x 57)	2.5 lbs.	HW-MP604CS	HW-MP604FG	HW-MP604SS	HW-MP604A
HW-J60604CHQRW	7.50 x 7.50 x 4.75 (191 x 191 x 121)	5.72 x 5.72 x 4.45 (145 x 145 x 113)	4.25 x 4.25 (108 x 108)	2.75 lbs.	HW-MP606CS	HW-MP606FG	HW-MP606SS	HW-MP606A
HW-J80604CHQRW	9.62 x 7.50 x 4.74 (244 x 191 x 121)	7.73 x 5.74 x 4.45 (196 x 146 x 113)	6.25 x 4.25 (159 x 108)	3.5 lbs.	HW-MP806CS	HW-MP806FG	HW-MP806SS	HW-MP806A
HW-J100804CHQRW	11.62 x 9.41 x 4.25 (295 x 239 x 108)	9.73 x 7.73 x 3.98 (247 x 196 x 101)	8.25 x 6.25 (210 x 159)	5 lbs.	HW-MP1008CS	HW-MP1008FG	HW-MP1008SS	HW-MP1008A
HW-J121005CHQRW	13.56 x 11.43 x 5.21 (344 x 291 x 132)	11.79 x 9.80 x 4.94 (299 x 249 x 125)	10.25 x 8.25 (260 x 210)	6.5 lbs.	HW-MP1210CS	HW-MP1210FG	HW-MP1210SS	HW-MP1210A
HW-J141206CHQRW	15.50 x 13.50 x 6.25 (394 x 343 x 159)	13.53 x 11.55 x 5.94 (344 x 293 x 151)	12.25 x 10.25 (311 x 260)	8.5 lbs.	HW-MP1412CS	HW-MP1412FG	HW-MP1412SS	HW-MP1412A
HW-J161406CHQRW	17.53 x 15.46 x 6.23 (445 x 393 x 158)	15.63 x 13.60 x 5.94 (397 x 345 x 151)	14.25 x 12.25 (362 x 311)	11.5 lbs.	HW-MP1614CS	HW-MP1614FG	HW-MP1614SS	HW-MP1614A
HW-J181608CHQRW*	19.62 x 17.61 x 8.82 (498 x 447 x 224)	17.69 x 15.69 x 8.45 (449 x 399 x 215)	16.25 x 14.25 (413 x 362)	19.25 lbs.	HW-MP1816CS	HW-MP1816FG	HW-MP1816SS	HW-MP1816A
HW-J201608CHQRW*	22.00 x 17.68 x 8.83 (559 x 449 x 224)	19.72 x 15.72 x 8.45 (501 x 399 x 215)	18.25 x 14.25 (463 x 413)	20.25 lbs.	HW-MP2016CS	HW-MP2016FG	HW-MP2016SS	HW-MP2016A

Note: Subpanels must be ordered separately. Dimensions in inches (millimeters).

*Note: 1816 and 2016 sizes are not 6P Rated.

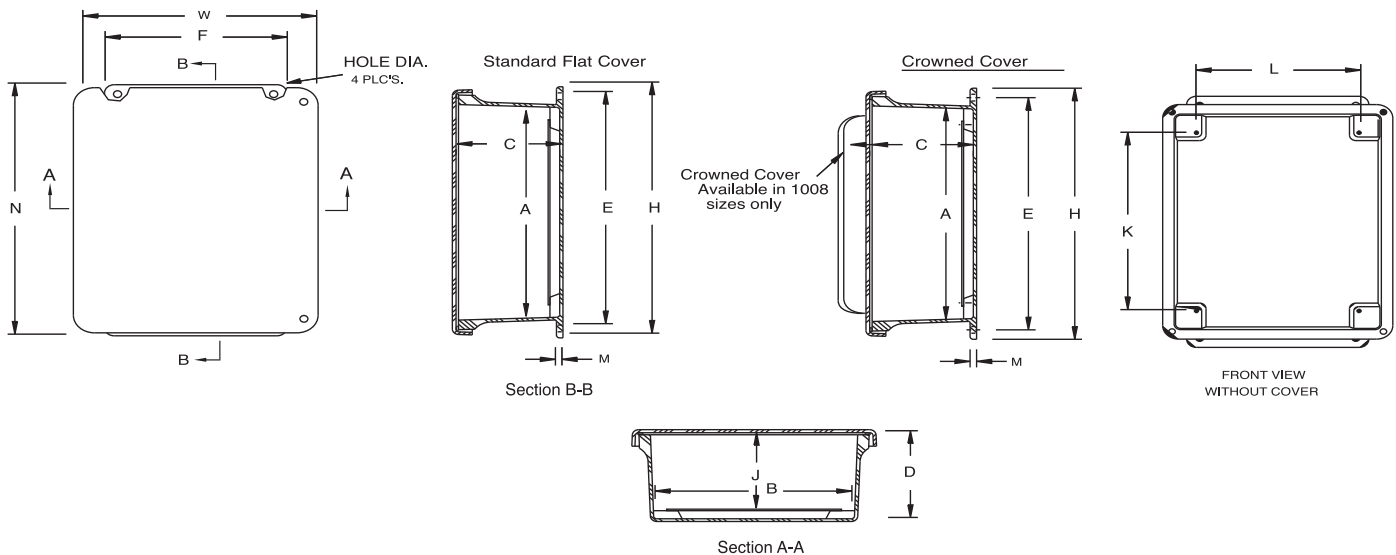
JIC SERIES NON-METALLIC ENCLOSURES OPAQUE, HINGED COVER WITH QUICK RELEASE LATCHES AND WINDOW

E67

DIMENSIONS FOR JIC SERIES NON-METAL ENCLOSURES									
PART NUMBER	ENCLOSURE OVERALL SIZE HxWxD	ENCLOSURE INSIDE AxBxC	MOUNTING ExF	J	K	L	M	N	HOLE DIA.
HW-J60404SC	7.50 x 5.43 x 4.75 (191 x 138 x 121)	5.84 x 3.85 x 4.45 (148 x 98 x 113)	6.75 x 2 (171 x 51)	4 (101)	4.25 (108)	2.25 (57)	0.25 (6)	7.39 (188)	0.31 (8)
HW-J60604SC	7.50 x 7.50 x 4.75 (191 x 191 x 121)	5.72 x 5.72 x 4.45 (145 x 145 x 113)	6.75 x 4 (171 x 101)	4 (101)	4.25 (108)	4.25 (108)	0.25 (6)	7.52 (191)	0.31 (8)
HW-J80604SC	9.62 x 7.50 x 4.74 (244 x 191 x 121)	7.73 x 5.74 x 4.45 (196 x 146 x 113)	8.88 x 4 (225 x 101)	4 (101)	6.25 (159)	4.25 (108)	0.25 (6)	9.5 (242)	0.31 (8)
HW-J100804SC	11.62 x 9.41 x 4.25 (295 x 239 x 108)	9.73 x 7.73 x 3.98 (247 x 196 x 101)	10.75 x 6 (273 x 152)	3.5 (89)	8.25 (209)	6.25 (159)	0.25 (6)	11.35 (288)	0.31 (8)
HW-J100805SC (crowned cover)*	11.62 x 9.37 x 5.06 (295 x 238 x 129)	9.73 x 7.73 x 4.83 (247 x 196 x 123)	10.75 x 6 (273 x 152)	4.37 (111)	8.25 (209)	6.25 (159)	0.25 (6)	11.37 (289)	0.31 (8)
HW-J121005SC	13.56 x 11.43 x 5.21 (344 x 291 x 132)	11.79 x 9.80 x 4.94 (299 x 249 x 125)	12.75 x 8 (324 x 203)	4.5 (114)	10.25 (260)	8.25 (209)	0.25 (6)	13.41 (341)	0.31 (8)
HW-J141206SC	15.50 x 13.50 x 6.25 (394 x 343 x 159)	13.53 x 11.55 x 5.94 (344 x 293 x 151)	14.62 x 10 (371 x 254)	5.37 (137)	12.25 (311)	10.25 (260)	0.25 (6)	15.47 (393)	0.31 (8)
HW-J161406SC	17.53 x 15.46 x 6.23 (445 x 393 x 158)	15.63 x 13.60 x 5.94 (397 x 345 x 151)	16.75 x 12 (425 x 305)	5.36 (136)	14.25 (362)	12.25 (311)	0.25 (6)	17.45 (443)	0.31 (8)
HW-J181608SC	19.62 x 17.61 x 8.82 (498 x 447 x 224)	17.69 x 15.69 x 8.45 (449 x 399 x 215)	18.88 x 12 (479 x 305)	7.99 (203)	16.25 (413)	14.25 (362)	0.25 (6)	19.61 (498)	0.31 (8)
HW-J201608SC	22.00 x 17.68 x 8.83 (559 x 449 x 224)	19.72 x 15.72 x 8.45 (501 x 399 x 215)	21.25 x 10.00 (540 x 254)	8 (203)	18.25 (464)	14.25 (362)	0.25 (6)	21.68 (551)	0.31 (8)

Note: Dimensions in inches (millimeters); letters in table correspond to letters on dimensional drawings.

Note: Base Part Number denotes enclosure size only. Defining alphabetical characters are represented by an asterisk(for example: HW-J60604* denotes dimensions for HW-J60604SC, HW-J60604CHSC, HW-J60604CHQR, HW-JCC60604CHQRW, or HW-J60604CHTLW. Do not use Base Part Numbers to order enclosures. Use only complete part numbers when ordering.



CONTROL SERIES NON-METALLIC ENCLOSURES NEMA TYPE 3R, HINGED WITH TWIST LATCH



HW-N3R242410CH

Industry Standards

- UL/cUL 50/508, Types 1, 3R
- CSA Standard C22.2 Types 1, 3R
- NEMA Standard 250 Types 1, 3R
- Temperature Range: -40°F to 250°F (-40°C to 120°C)
- Flammability Rating: UL94-5V
- Non-flame propagating



FEATURES-SPECIFICATIONS

Construction

- Hot compression molded fiberglass reinforced polyester
- Poured polyurethane seamless gasket provides watertight, dust-tight environmental seal
- 300 Series stainless steel used on all external hardware
- Panel mounting capability for fixed rear panel
- Bosses with threaded brass inserts accept 3/8 - 16 screws

- Integral mounting feet
- Rounded edges, minimal protrusions or exposed pocket areas for accumulation of dust or debris
- Rain shield protection against incidental water ingress
- Dust-tight, watertight, non-corrosive environmental design
- Twist lock latches for easy entry
- Built-in padlock hasp
- Non-conductive, impact resistant, UV resistant

- Smooth surface, no color variations, swirls or color pockets, no voids
- Color: Gray

Accessories

- See pages E77-E79

NEMA TYPE 3R CONTROL ENCLOSURES					
PART NUMBER	ENCLOSURE OVERALL SIZE HxWxD	ENCLOSURE INSIDE AxBxC	WT.	CARBON STEEL SUBPANEL	ALUMINUM SUBPANEL
HW-N3R242410CH	27.00 x 25.24 x 11.90 (686 x 641 x 302)	24.05 x 24.39 x 11.25 (611 x 619 x 286)	42 lbs.	HW-WM2424CS	HW-WM2424A
HW-N3R302008CH	32.86 x 20.99 x 9.89 (835 x 533 x 251)	29.90 x 20.14 x 9.23 (760 x 511 x 234)	36 lbs.	HW-WM3020CS	HW-WM3020A
HW-N3R302010CH	32.86 x 20.99 x 11.89 (835 x 533 x 302)	29.90 x 20.14 x 11.23 (760 x 511 x 285)	39 lbs.	HW-WM3020CS	HW-WM3020A
HW-N3R302410CH	33.41 x 26.32 x 11.95 (849 x 668 x 304)	30.46 x 25.47 x 11.27 (774 x 647 x 286)	50 lbs.	HW-WM3024CS	HW-WM3024A
HW-N3R302412CH	33.41 x 26.32 x 13.79 (849 x 668 x 350)	30.46 x 25.47 x 13.10 (774 x 647 x 333)	54 lbs.	HW-WM3024CS	HW-WM3024A
HW-N3R363008CH	39.31 x 32.50 x 10.05 (999 x 826 x 255)	36.31 x 31.69 x 9.36 (922 x 805 x 238)	75 lbs.	HW-WM3630CS	HW-WM3630A
HW-N3R363010CH	39.31 x 32.50 x 12.05 (999 x 826 x 306)	36.31 x 31.69 x 11.36 (922 x 805 x 289)	78 lbs.	HW-WM3630CS	HW-WM3630A
HW-N3R363012CH	39.31 x 32.50 x 14.05 (999 x 826 x 357)	36.31 x 31.69 x 13.36 (922 x 805 x 339)	81 lbs.	HW-WM3630CS	HW-WM3630A
HW-N3R483612CH	51.29 x 36.62 x 14.43 (1303 x 930 x 367)	48.33 x 36.22 x 13.25 (1228 x 920 x 336)	98 lbs.	HW-WM4836CS	HW-WM4836A
HW-N3R483616CH	51.29 x 36.62 x 18.43 (1303 x 930 x 468)	48.33 x 36.22 x 17.25 (1228 x 920 x 438)	108 lbs.	HW-WM4836CS	HW-WM4836A

Note: Subpanels must be ordered separately. Dimensions in inches (millimeters).

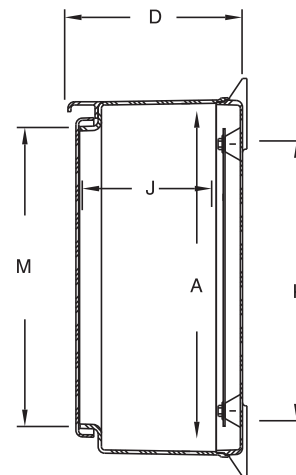
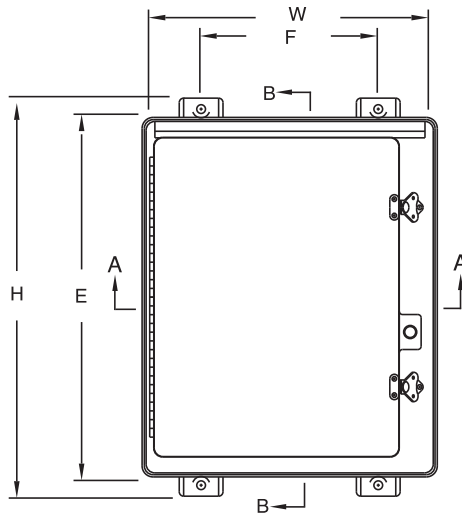
CONTROL SERIES NON-METALLIC ENCLOSURES NEMA TYPE 3R, HINGED WITH TWIST LATCH

E69

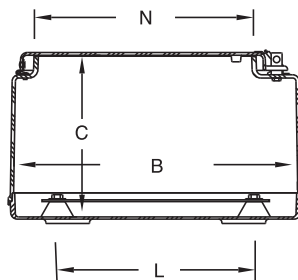
DIMENSIONS FOR NEMA TYPE 3R CONTROL ENCLOSURES							
PART NUMBER	ENCLOSURE OVERALL SIZE HxWxD	ENCLOSURE INSIDE AxBxC	MOUNTING ExF	J	K	L	ENCLOSURE OPENING MxN
HW-N3R242410CH	27.00 x 25.24 x 11.90 (686 x 641 x 302)	24.05 x 24.39 x 11.25 (611 x 619 x 286)	25.75 x 17.87 (654 x 454)	10.25 (260)	19.25 (489)	19.25 (489)	21.25 x 20.00 (540 x 508)
HW-N3R302008CH	32.86 x 20.99 x 9.89 (835 x 533 x 251)	29.90 x 20.14 x 9.23 (760 x 511 x 234)	31.75 x 14.25 (806 x 362)	8.23 (209)	25.25 (641)	15.25 (387)	27.00 x 16.50 (686 x 419)
HW-N3R302010CH	32.86 x 20.99 x 11.89 (835 x 533 x 302)	29.90 x 20.14 x 11.23 (760 x 511 x 285)	31.75 x 14.25 (806 x 362)	10.23 (260)	25.25 (641)	15.25 (387)	27.00 x 16.50 (686 x 419)
HW-N3R302410CH	33.41 x 26.32 x 11.95 (849 x 668 x 304)	30.46 x 25.47 x 11.27 (774 x 647 x 286)	32.25 x 18.50 (819 x 470)	10.27 (261)	25.25 (641)	19.25 (489)	27.38 x 21.25 (695 x 540)
HW-N3R302412CH	33.41 x 26.32 x 13.79 (849 x 668 x 350)	30.46 x 25.47 x 13.10 (774 x 647 x 333)	32.25 x 18.50 (819 x 470)	12.1 (307)	25.25 (641)	19.25 (489)	27.38 x 21.25 (695 x 540)
HW-N3R363008CH	39.31 x 32.50 x 10.05 (999 x 826 x 255)	36.31 x 31.69 x 9.36 (922 x 805 x 238)	38.13 x 23.88 (968 x 606)	8.36 (212)	31.25 (794)	25.25 (641)	33.25 x 27.25 (845 x 692)
HW-N3R363010CH	39.31 x 32.50 x 12.05 (999 x 826 x 306)	36.31 x 31.69 x 11.36 (922 x 805 x 289)	38.13 x 23.88 (968 x 606)	10.36 (263)	31.25 (794)	25.25 (641)	33.25 x 27.25 (845 x 692)
HW-N3R363012CH	39.31 x 32.50 x 14.05 (999 x 826 x 357)	36.31 x 31.69 x 13.36 (922 x 805 x 339)	38.13 x 23.88 (968 x 606)	12.36 (314)	31.25 (794)	25.25 (641)	33.25 x 27.25 (845 x 692)
HW-N3R483612CH	51.29 x 36.62 x 14.43 (1303 x 930 x 367)	48.33 x 36.22 x 13.25 (1228 x 920 x 336)	50.12 x 29.25 (1273 x 743)	12.25 (311)	43.25 (1099)	31.25 (794)	45.25 x 32.00 (1149 x 813)
HW-N3R483616CH	51.29 x 36.62 x 18.43 (1303 x 930 x 468)	48.33 x 36.22 x 17.25 (1228 x 920 x 438)	50.12 x 29.25 (1273 x 743)	16.25 (413)	43.25 (1099)	31.25 (794)	45.25 x 32.00 (1149 x 813)

Dimensions in inches (millimeters); letters in table correspond to letters on dimensional drawings. Mounting hole dimension is .50" (12.7mm).

NUMBER OF LATCHES	
PART NUMBER	NUMBER OF LATCHES
HW-N3R242410CH	2
HW-N3R302008CH	2
HW-N3R302010CH	2
HW-N3R302410CH	2
HW-N3R302412CH	2
HW-N3R363008CH	3
HW-N3R363010CH	3
HW-N3R363012CH	3
HW-N3R483612CH	3



Section B-B



Section A-A

CONTROL SERIES NON-METALLIC ENCLOSURES NEMA TYPE 4X, HINGED COVER WITH TWIST-LOCK LATCHES



HW-N4X242008CH

Industry Standards

- UL/cUL 50/508, Types 1, 3, 3R, 4X, 12
- CSA Standard C22.2 Types 1, 3, 3R, 4x, 12
- NEMA Standard 250 Types 1, 3, 3R, 4x, 12
- Temperature Range: -40°F to 250°F (-40°C to 120°C)
- Flammability Rating: UL94-5V
- Non-flame propagating



FEATURES-SPECIFICATIONS

Construction

- Hot compression molded fiberglass reinforced polyester
- Poured polyurethane seamless gasket provides watertight, dust-tight environmental seal
- 300 Series stainless steel used on all external hardware
- Panel mounting capability for fixed rear panel

- Bosses with threaded brass inserts accept 3/8 - 16 screws
- Integral mounting feet
- Rounded edges, minimal protrusions or exposed pocket areas for accumulation of dust or debris
- Dust-tight, watertight, non-corrosive environmental design
- Twist lock latches for easy entry
- Built-in padlock hasp

- Non-conductive, impact resistant, UV resistant
- Smooth surface, no color variations, swirls or color pockets, no voids
- Color: Gray

Accessories

- See pages E77-E79

NEMA 4X CONTROL ENCLOSURES WITH TWIST-LOCK LATCHES					
PART NUMBER	ENCLOSURE OVERALL SIZE HxWxD	ENCLOSURE INSIDE AxBxC	WT.	CARBON STEEL SUBPANEL	ALUMINUM SUBPANEL
HW-N4X161007CH*	18.75 x 10.96 x 9.03 (476 x 278 x 229)	15.92 x 10.27 x 8.53 (404 x 261 x 217)	12 lbs.	HW-WM1610CS	HW-WM1610A
HW-N4X201612CH	22.75 x 16.87 x 13.77 (578 x 429 x 350)	19.70 x 16.04 x 13.24 (500 x 407 x 336)	24 lbs.	HW-WM2016CS	HW-WM2016A
HW-N4X241206CH	26.95 x 13.72 x 7.98 (685 x 348 x 203)	24.00 x 12.87 x 7.33 (610 x 327 x 186)	21 lbs.	HW-WM2412CS	HW-WM2412A
HW-N4X241210CH	26.95 x 13.72 x 11.99 (685 x 348 x 304)	24.00 x 12.87 x 11.33 (610 x 327 x 288)	25 lbs.	HW-WM2412CS	HW-WM2412A
HW-N4X242008CH	27.00 x 21.24 x 9.90 (686 x 539 x 252)	24.05 x 20.39 x 9.25 (611 x 518 x 235)	32 lbs.	HW-WM2420CS	HW-WM2420A
HW-N4X242410CH	27.00 x 25.24 x 11.90 (686 x 641 x 302)	24.05 x 24.39 x 11.25 (611 x 619 x 286)	42 lbs.	HW-WM2424CS	HW-WM2424A
HW-N4X242412CH	27.00 x 25.24 x 13.90 (686 x 641 x 353)	24.05 x 24.39 x 13.25 (611 x 619 x 336)	43 lbs.	HW-WM2424CS	HW-WM2424A
HW-N4X302006CH	32.86 x 20.99 x 7.89 (835 x 533 x 200)	29.90 x 20.14 x 7.23 (760 x 511 x 184)	34 lbs.	HW-WM3020CS	HW-WM3020A
HW-N4X302008CH	32.86 x 20.99 x 9.89 (835 x 533 x 251)	29.90 x 20.14 x 9.23 (760 x 511 x 234)	36 lbs.	HW-WM3020CS	HW-WM3020A
HW-N4X302010CH	32.86 x 20.99 x 11.89 (835 x 533 x 302)	29.90 x 20.14 x 11.23 (760 x 511 x 285)	39 lbs.	HW-WM3020CS	HW-WM3020A
HW-N4X302012CH	32.86 x 20.99 x 13.89 (835 x 533 x 353)	29.90 x 20.14 x 13.23 (760 x 511 x 336)	48 lbs.	HW-WM3020CS	HW-WM3020A
HW-N4X302408CH	33.41 x 26.32 x 8.81 (849 x 668 x 224)	30.46 x 25.47 x 8.12 (774 x 647 x 206)	45 lbs.	HW-WM3024CS	HW-WM3024A
HW-N4X302410CH	33.41 x 26.32 x 11.95 (849 x 668 x 304)	30.46 x 25.47 x 11.27 (774 x 647 x 286)	50 lbs.	HW-WM3024CS	HW-WM3024A
HW-N4X302412CH	33.41 x 26.32 x 13.79 (849 x 668 x 350)	30.46 x 25.47 x 13.10 (774 x 647 x 333)	54 lbs.	HW-WM3024CS	HW-WM3024A
HW-N4X363008CH	39.31 x 32.50 x 10.05 (999 x 826 x 255)	36.31 x 31.69 x 9.36 (922 x 805 x 238)	75 lbs.	HW-WM3630CS	HW-WM3630A
HW-N4X363010CH	39.31 x 32.50 x 12.05 (999 x 826 x 306)	36.31 x 31.69 x 11.36 (922 x 805 x 289)	78 lbs.	HW-WM3630CS	HW-WM3630A
HW-N4X363012CH	39.31 x 32.50 x 14.05 (999 x 826 x 357)	36.31 x 31.69 x 13.36 (922 x 805 x 339)	81 lbs.	HW-WM3630CS	HW-WM3630A

Note: Subpanels must be ordered separately. Dimensions in inches (millimeters).

* No Hasp provided.

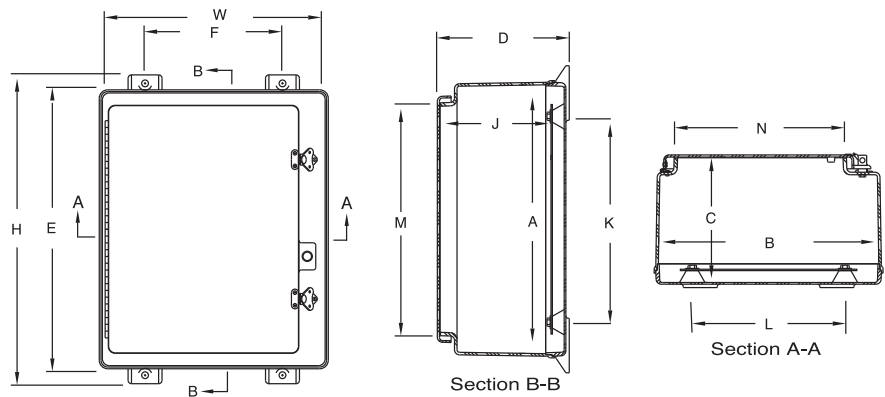
**CONTROL SERIES NON-METALLIC ENCLOSURES
NEMA TYPE 4X, HINGED COVER WITH TWIST-LOCK LATCHES**

E71

DIMENSIONS FOR NEMA 4X CONTROL ENCLOSURES WITH TWIST-LOCK LATCHES							
PART NUMBER	ENCLOSURE OVERALL SIZE HxWxD	ENCLOSURE INSIDE AxBxC	MOUNTING ExF	J	K	L	ENCLOSURE OPENING MxN
HW-N4X161007CH	18.75 x 10.96 x 9.03 (476 x 278 x 229)	15.92 x 10.27 x 8.53 (404 x 261 x 217)	17.50 x 7.00 (444 x 178)	7.8 (198)	12 (305)	7.5 (191)	13.14 x 6.00 (334 x 152)
HW-N4X201612CH	22.75 x 16.87 x 13.77 (578 x 429 x 350)	19.70 x 16.04 x 13.24 (500 x 407 x 336)	21.50 x 10.12 (546 x 257)	12.26 (312)	15.25 (387)	11.25 (286)	16.75 x 12.19 (425 x 310)
HW-N4X241206CH	26.95 x 13.72 x 7.98 (685 x 348 x 203)	24.00 x 12.87 x 7.33 (610 x 327 x 186)	25.75 x 6.25 (654 x 159)	6.33 (161)	19.25 (489)	7.25 (184)	21.00 x 8.37 (533 x 213)
HW-N4X241210CH	26.95 x 13.72 x 11.99 (685 x 348 x 304)	24.00 x 12.87 x 11.33 (610 x 327 x 288)	25.75 x 6.25 (654 x 159)	10.33 (262)	19.25 (489)	7.25 (184)	21.00 x 8.37 (533 x 213)
HW-N4X242008CH	27.00 x 21.24 x 9.90 (686 x 539 x 252)	24.05 x 20.39 x 9.25 (611 x 518 x 235)	25.75 x 14.00 (654 x 356)	8.25 (209)	19.25 (489)	15.25 (387)	21.25 x 16.00 (540 x 406)
HW-N4X242410CH	27.00 x 25.24 x 11.90 (686 x 641 x 302)	24.05 x 24.39 x 11.25 (611 x 619 x 286)	25.75 x 17.87 (654 x 454)	10.25 (260)	19.25 (489)	19.25 (489)	21.25 x 20.00 (540 x 508)
HW-N4X242412CH	27.00 x 25.24 x 13.90 (686 x 641 x 353)	24.05 x 24.39 x 13.25 (611 x 619 x 336)	25.75 x 17.87 (654 x 454)	12.25 (311)	19.25 (489)	19.25 (489)	21.25 x 20.00 (540 x 508)
HW-N4X302006CH	32.86 x 20.99 x 7.89 (835 x 533 x 200)	29.90 x 20.14 x 7.23 (760 x 511 x 184)	30.75 x 14.25 (806 x 362)	6.23 (158)	25.25 (641)	15.25 (387)	27.00 x 16.50 (686 x 419)
HW-N4X302008CH	32.86 x 20.99 x 9.89 (835 x 533 x 251)	29.90 x 20.14 x 9.23 (760 x 511 x 234)	31.75 x 14.25 (806 x 362)	8.23 (209)	25.25 (641)	15.25 (387)	27.00 x 16.50 (686 x 419)
HW-N4X302010CH	32.86 x 20.99 x 11.89 (835 x 533 x 302)	29.90 x 20.14 x 11.23 (760 x 511 x 285)	31.75 x 14.25 (806 x 362)	10.23 (260)	25.25 (641)	15.25 (387)	27.00 x 16.50 (686 x 419)
HW-N4X302012CH	32.86 x 20.99 x 13.89 (835 x 533 x 353)	29.90 x 20.14 x 13.23 (760 x 511 x 336)	31.75 x 14.25 (806 x 362)	12.23 (311)	25.25 (641)	15.25 (387)	27.00 x 16.50 (686 x 419)
HW-N4X302408CH	33.41 x 26.32 x 8.81 (849 x 668 x 224)	30.46 x 25.47 x 8.12 (774 x 647 x 206)	32.25 x 18.50 (819 x 470)	7.12 (181)	25.25 (641)	19.25 (489)	27.38 x 21.25 (695 x 540)
HW-N4X302410CH	33.41 x 26.32 x 11.95 (849 x 668 x 304)	30.46 x 25.47 x 11.27 (774 x 647 x 286)	32.25 x 18.50 (819 x 470)	10.27 (261)	25.25 (641)	19.25 (489)	27.38 x 21.25 (695 x 540)
HW-N4X302412CH	33.41 x 26.32 x 13.79 (849 x 668 x 350)	30.46 x 25.47 x 13.10 (774 x 647 x 333)	32.25 x 18.50 (819 x 470)	12.1 (307)	25.25 (641)	19.25 (489)	27.38 x 21.25 (695 x 540)
HW-N4X363008CH	39.31 x 32.50 x 10.05 (999 x 826 x 255)	36.31 x 31.69 x 9.36 (922 x 805 x 238)	38.13 x 23.88 (968 x 606)	8.36 (212)	31.25 (794)	25.25 (641)	33.25 x 27.25 (845 x 692)
HW-N4X363010CH	39.31 x 32.50 x 12.05 (999 x 826 x 306)	36.31 x 31.69 x 11.36 (922 x 805 x 289)	38.13 x 23.88 (968 x 606)	10.36 (263)	31.25 (794)	25.25 (641)	33.25 x 27.25 (845 x 692)
HW-N4X363012CH	39.31 x 32.50 x 14.05 (999 x 826 x 357)	36.31 x 31.69 x 13.36 (922 x 805 x 339)	38.13 x 23.88 (968 x 606)	12.36 (314)	31.25 (794)	25.25 (641)	33.25 x 27.25 (845 x 692)

Note: Subpanels must be ordered separately. Dimensions in inches (millimeters); letters in table correspond to letters on dimensional drawings.

NUMBER OF LATCHES	
BASE PART NUMBER	NUMBER OF LATCHES
HW-N4X1610	2
HW-N4X2016	2
HW-N4X2412	2
HW-N4X2420	4
HW-N4X2424	4
HW-N4X3020	5
HW-N4X3024	5
HW-N4X3630	5



CONTROL SERIES NON-METALLIC ENCLOSURES NEMA TYPE 4X, SINGLE HINGED DOOR WITH TWIST LATCHES



Industry Standards

- UL/cUL 50/508, Types 1, 3R
- CSA Standard C22.2 Types 1, 3R
- NEMA Standard 250 Types 1, 3R
- Temperature Range: -40°F to 250°F (-40°C to 120°C)
- Flammability Rating: UL94-5V
- Non-flame propagating

 UL File E64791

 CSA File 222873

FEATURES-SPECIFICATIONS

Construction

- Hot compression molded fiberglass reinforced polyester, hand layup FRP
- Poured polyurethane seamless gasket provides watertight, dust-tight environmental seal
- 300 Series stainless steel used on all external hardware
- Panel mounting capability for fixed rear panel
- Bosses with threaded brass inserts accept 10-32 screws
- Integral mounting feet

- Rounded edges, minimal protrusions or exposed pocket areas for accumulation of dust or debris
- Dust-tight, watertight, non-corrosive environmental design
- Twist lock latches for easy entry
- Built-in padlock hasp
- Non-conductive, impact resistant, UV resistant
- Smooth surface, no color variations, swirls or color pockets, no voids
- Color: Gray

Accessories

- See pages E77-E79

NEMA 4X CONTROL ENCLOSURE, SINGLE HINGED DOOR WITH TWIST LATCHES					
PART NUMBER	ENCLOSURE OVERALL SIZE HxWxD	ENCLOSURE INSIDE AxBxC	WT.	CARBON STEEL SUBPANEL	ALUMINUM SUBPANEL
HW-N4X483612CH	51.29 x 36.62 x 13.93 (1303 x 930 x 354)	48.33 x 36.22 x 13.25 (1228 x 920 x 336)	98 lbs	HW-WM4836CS	HW-WM4836A
HW-N4X483616CH	51.29 x 36.62 x 17.93 (1303 x 930 x 456)	48.33 x 36.22 x 17.25 (1228 x 920 x 438)	108 lbs	HW-WM4836CS	HW-WM4836A
HW-N4X603612CH	63.50 x 36.50 x 14.12 (1613 x 927 x 359)	60.13 x 36.13 x 13.44 (1527 x 918 x 341)	145 lbs	HW-WM6036CS	HW-WM6036A
HW-N4X603616CH	63.50 x 36.50 x 18.12 (1613 x 927 x 460)	60.13 x 36.13 x 17.44 (1527 x 918 x 443)	155 lbs	HW-WM6036CS	HW-WM6036A

Note: Subpanels must be ordered separately. Dimensions in inches (millimeters).

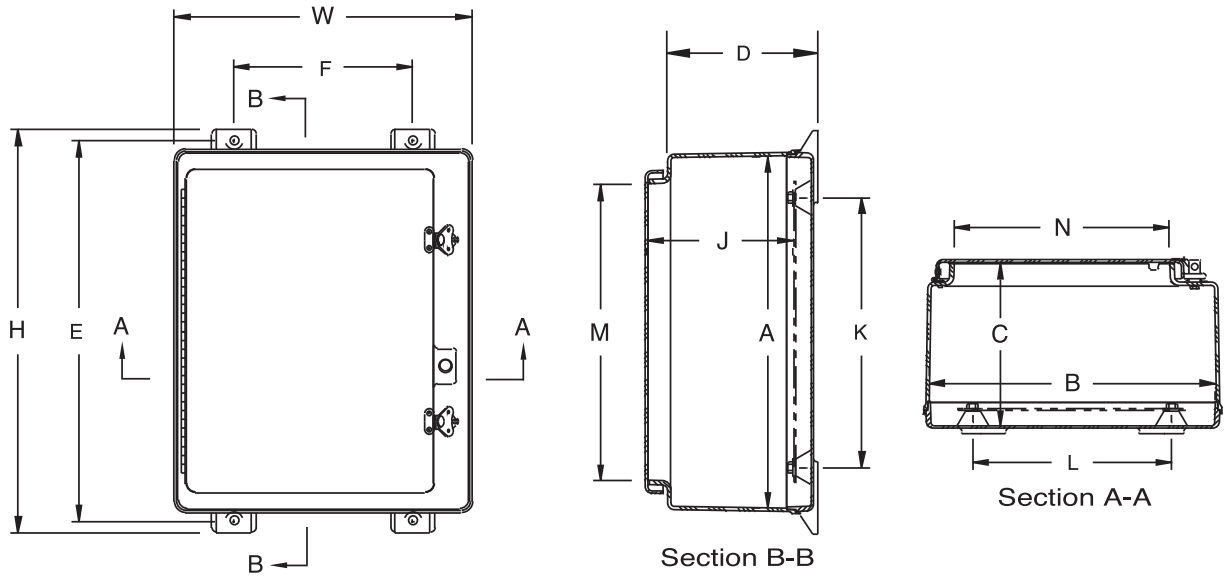
**CONTROL SERIES NON-METALLIC ENCLOSURES
NEMA TYPE 4X, SINGLE HINGED DOOR WITH TWIST LATCHES**

E73

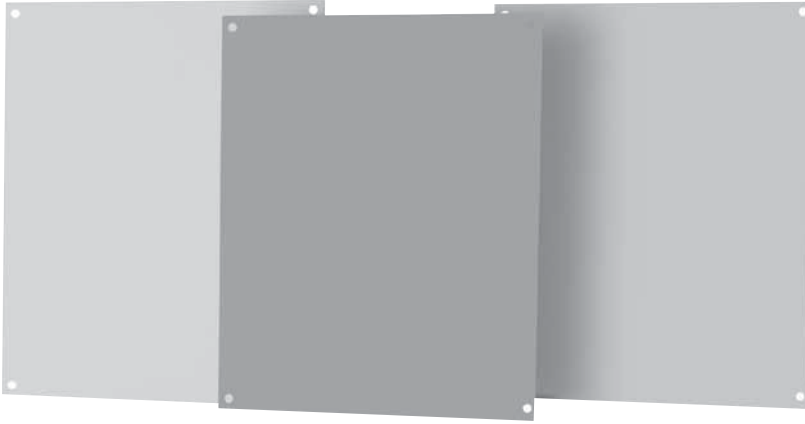


DIMENSIONS FOR NEMA 4X CONTROL ENCLOSURE, SINGLE HINGED DOOR WITH TWIST LATCHES							
PART NUMBER	ENCLOSURE OVERALL SIZE HxWxD	ENCLOSURE INSIDE AxBxC	MOUNTING ExF	J	K	L	ENCLOSURE OPENING MxN
HW-N4X483612CH	51.29 x 36.62 x 13.93 (1303 x 930 x 354)	48.33 x 36.22 x 13.25 (1228 x 920 x 336)	50.12 x 29.25 (1273 x 743)	12.25 (311)	43.25 (1099)	31.25 (794)	45.25 x 32.00 (1149 x 813)
HW-N4X483616CH	51.29 x 36.62 x 17.93 (1303 x 930 x 456)	48.33 x 36.22 x 17.25 (1228 x 920 x 438)	50.12 x 29.25 (1273 x 743)	16.25 (413)	43.25 (1099)	31.25 (794)	45.25 x 32.00 (1149 x 813)
HW-N4X603612CH	63.50 x 36.50 x 14.12 (1613 x 927 x 359)	60.13 x 36.13 x 13.44 (1527 x 918 x 341)	62.25 x 28.50 (1581 x 724)	12.44 (316)	53.06 (1348)	31.55 (787)	55.75 x 32.00 (1416 x 813)
HW-N4X603616CH	63.50 x 36.50 x 18.12 (1613 x 927 x 460)	60.13 x 36.13 x 17.44 (1527 x 918 x 443)	62.25 x 28.50 (1581 x 724)	16.44 (418)	53.06 (1348)	31.55 (787)	55.75 x 32.00 (1416 x 813)

Dimensions in inches (millimeters).



SUBPANELS NON-METALLIC ENCLOSURES SUBPANELS FOR ALL PREMIER AND JIC NON-METALLIC ENCLOSURES



SUBPANEL SPECIFICATIONS		
SUBPANEL	MATERIAL	FINISH
Carbon Steel	Carbon Steel	White polyester powder Finish
Aluminum	3003H14 Aluminum	Mill Finish
Stainless Steel	304 Stainless	304 ANN 2 B Finish
Fiberglass	FRP (Fiberglass reinforced panel)	Gray Finish

CARBON STEEL SUBPANELS FOR ALL PREMIER AND JIC NON-METALLIC ENCLOSURES

SUBPANEL PART NUMBER	SUBPANEL SIZE HxW	ENCLOSURE SIZE HxW	BA	BB	BK	BL	BT	PANEL TYPE	NUMBER OF HOLES	HOLE DIAMETER	WT.
HW-MP604CS	4.88 x 2.88 (124 x 73)	6 x 4 (152 x 102)	4.88 (124)	2.88 (73)	4.25 (108)	2.25 (57)	0.08 (2)	FLAT	4	.25 (6.35)	5 oz.
HW-MP606CS	4.88 x 4.88 (124 x 124)	6 x 6 (152 x 152)	4.88 (124)	4.88 (124)	4.25 (108)	4.25 (108)	0.08 (2)	FLAT	4	.25 (6.35)	8 oz.
HW-MP706CS	6.00 x 4.88 (152 x 124)	7 x 6 (179 x 152)	6.00 (152)	4.88 (124)	5.38 (137)	4.25 (108)	0.08 (2)	FLAT	4	.25 (6.35)	10 oz.
HW-MP806CS	6.75 x 4.88 (152 x 124)	8 x 6 (203 x 152)	6.75 (152)	4.88 (124)	6.25 (159)	4.25 (108)	0.08 (2)	FLAT	4	.25 (6.35)	12 oz.
HW-MP808CS	6.88 x 6.88 (175 x 175)	8 x 8 (203 x 203)	6.88 (175)	6.88 (175)	6.25 (159)	6.25 (159)	0.08 (2)	FLAT	4	.25 (6.35)	12 oz.
HW-MP906CS	8.25 x 4.88 (175 x 124)	9 x 6 (229 x 152)	8.25 (210)	4.88 (124)	7.63 (194)	4.25 (108)	0.08 (2)	FLAT	4	.25 (6.35)	14 oz.
HW-MP1008CS	8.75 x 6.88 (225 x 175)	10 x 8 (254 x 203)	8.75 (225)	6.88 (175)	8.25 (210)	6.25 (159)	0.08 (2)	FLAT	4	.25 (6.35)	21 oz.
HW-MP1210CS	10.88 x 8.75 (276 x 225)	12 x 10 (305 x 254)	10.88 (276)	8.75 (225)	10.25 (260)	8.25 (210)	0.08 (2)	FLAT	4	.25 (6.35)	34 oz.
HW-MP1412CS	12.88 x 10.88 (327 x 276)	14 x 12 (356 x 305)	12.88 (327)	10.88 (276)	12.25 (311)	10.25 (260)	0.08 (2)	FLAT	4	.25 (6.35)	48 oz.
HW-MP1614CS	14.88 x 12.88 (378 x 327)	16 x 14 (406 x 356)	14.88 (378)	12.88 (327)	14.25 (362)	12.25 (311)	0.08 (2)	FLAT	4	.25 (6.35)	66 oz.
HW-MP1816CS	16.88 x 14.88 (429 x 378)	18 x 16 (457 x 406)	16.88 (429)	14.88 (378)	16.25 (413)	14.25 (362)	0.08 (2)	FLAT	4	.25 (6.35)	87 oz.
HW-MP2016CS	18.88 x 14.88 (479 x 378)	20 x 16 (508 x 406)	18.88 (479)	14.88 (378)	18.25 (464)	14.25 (362)	0.08 (2)	FLAT	4	.25 (6.35)	97 oz.

Note: Subpanels must be ordered separately. Dimensions in inches (millimeters).

FIBERGLASS SUBPANELS FOR ALL PREMIER AND JIC NON-METALLIC ENCLOSURES

SUBPANEL PART NUMBER	SUBPANEL SIZE HxW	ENCLOSURE SIZE HxW	BA	BB	BK	BL	BT	PANEL TYPE	NUMBER OF HOLES	HOLE DIAMETER	WT.
HW-MP604FG	4.88 x 2.88 (124 x 73)	6 x 4 (152 x 102)	4.88 (124)	2.88 (73)	4.25 (108)	2.25 (57)	0.08 (2)	FLAT	4	.25 (6.35)	2 oz.
HW-MP606FG	4.88 x 4.88 (124 x 124)	6 x 6 (152 x 152)	4.88 (124)	4.88 (124)	4.25 (108)	4.25 (108)	0.08 (2)	FLAT	4	.25 (6.35)	3 oz.
HW-MP806FG	6.75 x 4.88 (152 x 124)	8 x 6 (203 x 152)	6.75 (152)	4.88 (124)	6.25 (159)	4.25 (108)	0.08 (2)	FLAT	4	.25 (6.35)	4 oz.
HW-MP808FG	6.88 x 6.88 (175 x 175)	8 x 8 (203 x 203)	6.88 (175)	6.88 (175)	6.25 (159)	6.25 (159)	0.08 (2)	FLAT	4	.25 (6.35)	5 oz.
HW-MP1008FG	8.75 x 6.88 (225 x 175)	10 x 8 (254 x 203)	8.75 (225)	6.88 (175)	8.25 (210)	6.25 (159)	0.08 (2)	FLAT	4	.25 (6.35)	8 oz.
HW-MP1210FG	10.88 x 8.75 (276 x 225)	12 x 10 (305 x 254)	10.88 (276)	8.75 (225)	10.25 (260)	8.25 (210)	0.08 (2)	FLAT	4	.25 (6.35)	14 oz.
HW-MP1412FG	12.88 x 10.88 (327 x 276)	14 x 12 (356 x 305)	12.88 (327)	10.88 (276)	12.25 (311)	10.25 (260)	0.08 (2)	FLAT	4	.25 (6.35)	16 oz.
HW-MP1614FG	14.88 x 12.88 (378 x 327)	16 x 14 (406 x 356)	14.88 (378)	12.88 (327)	14.25 (362)	12.25 (311)	0.08 (2)	FLAT	4	.25 (6.35)	13 oz.
HW-MP1816FG	16.88 x 14.88 (429 x 378)	18 x 16 (457 x 406)	16.88 (429)	14.88 (378)	16.25 (413)	14.25 (362)	0.08 (2)	FLAT	4	.25 (6.35)	32 oz.
HW-MP2016GF	18.88 x 14.88 (479 x 378)	20 x 16 (508 x 406)	18.88 (479)	14.88 (378)	18.25 (464)	14.25 (362)	0.08 (2)	FLAT	4	.25 (6.35)	36 oz.

Note: Subpanels must be ordered separately. Dimensions in inches (millimeters).

NON-METALLIC ENCLOSURES SUBPANELS FOR ALL PREMIER AND JIC NON-METALLIC ENCLOSURES

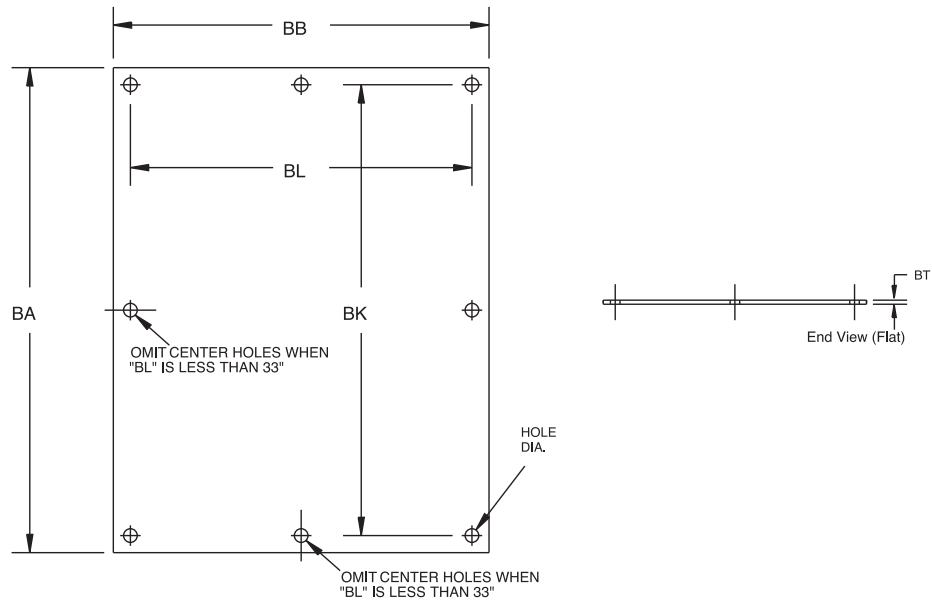
E75

STAINLESS STEEL SUBPANELS FOR ALL PREMIER AND JIC NON-METALLIC ENCLOSURES											
SUBPANEL PART NUMBER	SUBPANEL SIZE HxW	ENCLOSURE SIZE HxW	BA	BB	BK	BL	BT	PANEL TYPE	NUMBER OF HOLES	HOLE DIAMETER	WT.
HW-MP604SS	4.88 x 2.88 (124 x 73)	6 x 4 (152 x 102)	4.88 (124)	2.88 (73)	4.25 (108)	2.25 (57)	0.08 (2)	FLAT	4	.25 (6.35)	5 oz.
HW-MP606SS	4.88 x 4.88 (124 x 124)	6 x 6 (152 x 152)	4.88 (124)	4.88 (124)	4.25 (108)	4.25 (108)	0.08 (2)	FLAT	4	.25 (6.35)	8 oz.
HW-MP806SS	6.75 x 4.88 (152 x 124)	8 x 6 (203 x 152)	6.75 (152)	4.88 (124)	6.25 (159)	4.25 (108)	0.08 (2)	FLAT	4	.25 (6.35)	12 oz.
HW-MP808SS	6.88 x 6.88 (175 x 175)	8 x 8 (203 x 203)	6.88 (175)	6.88 (175)	6.25 (159)	6.25 (159)	0.08 (2)	FLAT	4	.25 (6.35)	12 oz.
HW-MP1008SS	8.75 x 6.88 (225 x 175)	10 x 8 (254 x 203)	8.75 (225)	6.88 (175)	8.25 (210)	6.25 (159)	0.08 (2)	FLAT	4	.25 (6.35)	19 oz.
HW-MP1210SS	10.88 x 8.75 (276 x 225)	12 x 10 (305 x 254)	10.88 (276)	8.75 (225)	10.25 (260)	8.25 (210)	0.08 (2)	FLAT	4	.25 (6.35)	30 oz.
HW-MP1412SS	12.88 x 10.88 (327 x 276)	14 x 12 (356 x 305)	12.88 (327)	10.88 (276)	12.25 (311)	10.25 (260)	0.08 (2)	FLAT	4	.25 (6.35)	45 oz.
HW-MP1614SS	14.88 x 12.88 (378 x 327)	16 x 14 (406 x 356)	14.88 (378)	12.88 (327)	14.25 (362)	12.25 (311)	0.08 (2)	FLAT	4	.25 (6.35)	60 oz.
HW-MP1816SS	16.88 x 14.88 (429 x 378)	18 x 16 (457 x 406)	16.88 (429)	14.88 (378)	16.25 (413)	14.25 (362)	0.08 (2)	FLAT	4	.25 (6.35)	96 oz.
HW-MP2016SS	18.88 x 14.88 (479 x 378)	20 x 16 (508 x 406)	18.88 (479)	14.88 (378)	18.25 (464)	14.25 (362)	0.08 (2)	FLAT	4	.25 (6.35)	97 oz.

Note: Subpanels must be ordered separately. Dimensions in inches (millimeters).

ALUMINUM SUBPANELS FOR ALL PREMIER AND JIC NON-METALLIC ENCLOSURES											
SUBPANEL PART NUMBER	SUBPANEL SIZE HxW	ENCLOSURE SIZE HxW	BA	BB	BK	BL	BT	PANEL TYPE	NUMBER OF HOLES	HOLE DIAMETER	WT.
HW-MP604A	4.88 x 2.88 (124 x 73)	6 x 4 (152 x 102)	4.88 (124)	2.88 (73)	4.25 (108)	2.25 (57)	0.08 (2)	FLAT	4	.25 (6.35)	2 oz.
HW-MP606A	4.88 x 4.88 (124 x 124)	6 x 6 (152 x 152)	4.88 (124)	4.88 (124)	4.25 (108)	4.25 (108)	0.08 (2)	FLAT	4	.25 (6.35)	3 oz.
HW-MP806A	6.75 x 4.88 (152 x 124)	8 x 6 (203 x 152)	6.75 (152)	4.88 (124)	6.25 (159)	4.25 (108)	0.08 (2)	FLAT	4	.25 (6.35)	4 oz.
HW-MP808A	6.88 x 6.88 (175 x 175)	8 x 8 (203 x 203)	6.88 (175)	6.88 (175)	6.25 (159)	6.25 (159)	0.08 (2)	FLAT	4	.25 (6.35)	4 oz.
HW-MP1008A	8.75 x 6.88 (225 x 175)	10 x 8 (254 x 203)	8.75 (225)	6.88 (175)	8.25 (210)	6.25 (159)	0.08 (2)	FLAT	4	.25 (6.35)	8 oz.
HW-MP1210A	10.88 x 8.75 (276 x 225)	12 x 10 (305 x 254)	10.88 (276)	8.75 (225)	10.25 (260)	8.25 (210)	0.08 (2)	FLAT	4	.25 (6.35)	12 oz.
HW-MP1412A	12.88 x 10.88 (327 x 276)	14 x 12 (356 x 305)	12.88 (327)	10.88 (276)	12.25 (311)	10.25 (260)	0.08 (2)	FLAT	4	.25 (6.35)	18 oz.
HW-MP1614A	14.88 x 12.88 (378 x 327)	16 x 14 (406 x 356)	14.88 (378)	12.88 (327)	14.25 (362)	12.25 (311)	0.08 (2)	FLAT	4	.25 (6.35)	24 oz.
HW-MP1816A	16.88 x 14.88 (429 x 378)	18 x 16 (457 x 406)	16.88 (429)	14.88 (378)	16.25 (413)	14.25 (362)	0.08 (2)	FLAT	4	.25 (6.35)	40 oz.
HW-MP2016A	18.88 x 14.88 (479 x 378)	20 x 16 (508 x 406)	18.88 (479)	14.88 (378)	18.25 (464)	14.25 (362)	0.08 (2)	FLAT	4	.25 (6.35)	39 oz.

Note: Subpanels must be ordered separately. Dimensions in inches (millimeters).



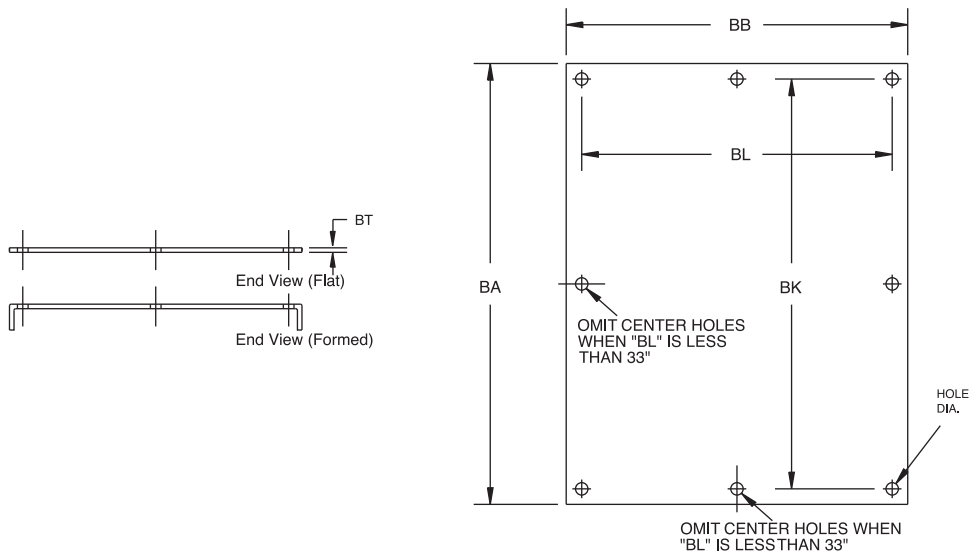
CONTROL SERIES SUBPANELS NON-METALLIC ENCLOSURES
SUBPANELS FOR CONTROL SERIES NON-METALLIC ENCLOSURES

CARBON STEEL SUBPANELS FOR CONTROL SERIES NON-METALLIC ENCLOSURES											
SUBPANEL PART NUMBER	SUBPANEL SIZE HxW	ENCLOSURE SIZE HxW	BA	BB	BK	BL	BT	PANEL TYPE	NUMBER OF HOLES	HOLE DIAMETER	WT.
HW-WM1610CS	13.00 x 8.50 (330 x 216)	16 x 10 (406 x 54)	13.00 (330)	8.50 (216)	12.00 (305)	7.50 (191)	0.08 (2)	Flat	4	0.31 (8)	3.3 lbs.
HW-WM2016CS	17.00 x 13.00 (432 x 330)	20 x 16 (508 x 406)	17.00 (432)	13.00 (330)	15.25 (387)	11.25 (286)	0.09 (2)	Formed	4	0.31 (8)	6.7 lbs.
HW-WM2412CS	21.00 x 9.00 (533 x 229)	24 x 12 (610 x 305)	21.00 (533)	9.00 (229)	19.25 (489)	7.25 (184)	0.09 (2)	Formed	4	0.50 (13)	8.7 lbs.
HW-WM2420CS	21.00 x 17.00 (533 x 432)	24 x 20 (610 x 508)	21.00 (533)	17.00 (432)	19.25 (489)	15.25 (387)	0.13 (3)	Formed	4	0.50 (13)	10.8 lbs.
HW-WM2424CS	21.00 x 21.00 (533 x 533)	24 x 24 (610 x 610)	21.00 (533)	21.00 (533)	19.25 (489)	19.25 (489)	0.13 (3)	Formed	4	0.50 (13)	13.4 lbs.
HW-WM3020CS	27.00 x 17.00 (686 x 432)	30 x 20 (763 x 508)	27.00 (686)	17.00 (432)	25.25 (641)	15.25 (387)	0.13 (3)	Formed	5	0.50 (13)	14 lbs.
HW-WM3024CS	27.00 x 21.00 (686 x 533)	30 x 24 (762 x 610)	27.00 (686)	21.00 (533)	25.25 (641)	19.25 (489)	0.13 (3)	Flat	4	0.50 (13)	17 lbs.
HW-WM3630CS	33.00 x 27.00 (838 x 686)	36 x 30 (914 x 762)	33.00 (838)	27.00 (686)	31.25 (794)	25.25 (641)	0.13 (3)	Flat	4	0.50 (13)	27 lbs.
HW-WM4836CS	45.00 x 33.00 (1143 x 838)	48 x 36 (1219 x 914)	45.00 (1143)	33.00 (838)	43.00 (1092)	31.25 (794)	0.13 (3)	Flat	8	0.50 (13)	41 lbs.
HW-WM6036CS	57.00 x 33.00 (1448 x 838)	60 x 36 (1524 x 914)	57.00 (1448)	33.00 (838)	55.25 (1403)	31.25 (794)	0.13 (3)	Flat	8	0.50 (13)	60 lbs.

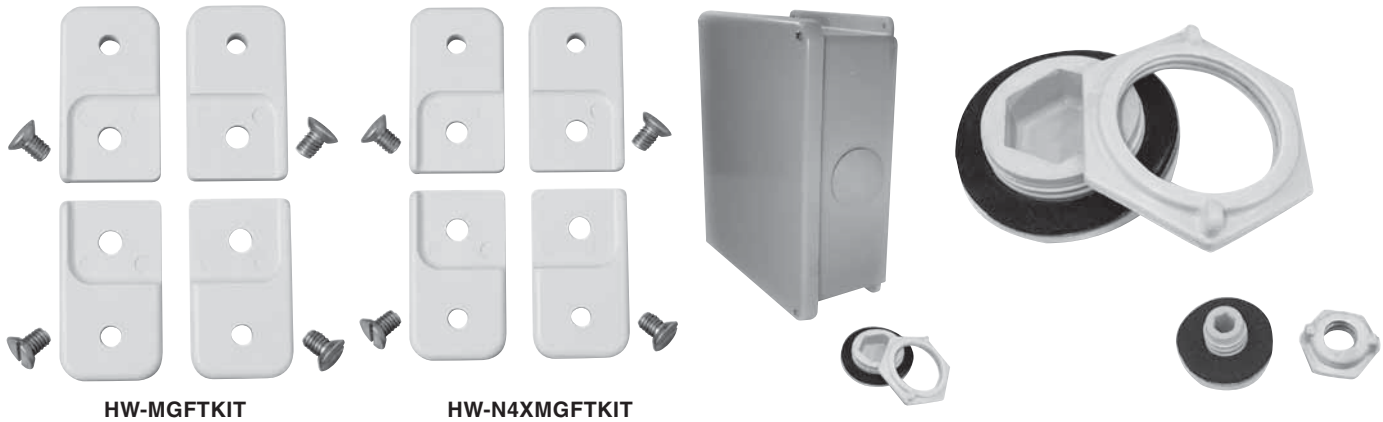
Note: Subpanels must be ordered separately. Dimensions in inches (millimeters).

ALUMINUM SUBPANELS FOR CONTROL SERIES NON-METALLIC ENCLOSURES											
SUBPANEL PART NUMBER	SUBPANEL SIZE HxW	ENCLOSURE SIZE HxW	BA	BB	BK	BL	BT	PANEL TYPE	NUMBER OF HOLES	HOLE DIAMETER	WT.
HW-WM1610A	13.00 x 8.50 (330 x 216)	16 x 10 (406 x 54)	13.00 (330)	8.50 (216)	12.00 (305)	7.50 (191)	0.08 (2)	Flat	4	0.31 (8)	1 lb.
HW-WM2016A	17.00 x 13.00 (432 x 330)	20 x 16 (508 x 406)	17.00 (432)	13.00 (330)	15.25 (387)	11.25 (286)	0.09 (2)	Formed	4	0.31 (8)	2 lbs.
HW-WM2412A	21.00 x 9.00 (533 x 229)	24 x 12 (610 x 305)	21.00 (533)	9.00 (229)	19.25 (489)	7.25 (184)	0.09 (2)	Formed	4	0.50 (13)	4.5 lbs.
HW-WM2420A	21.00 x 17.00 (533 x 432)	24 x 20 (610 x 508)	21.00 (533)	17.00 (432)	19.25 (489)	15.25 (387)	0.13 (3)	Formed	4	0.50 (13)	4.5 lbs.
HW-WM2424A	21.00 x 21.00 (533 x 533)	24 x 24 (610 x 610)	21.00 (533)	21.00 (533)	19.25 (489)	19.25 (489)	0.13 (3)	Formed	4	0.50 (13)	5.5 lbs.
HW-WM3020A	27.00 x 17.00 (686 x 432)	30 x 20 (763 x 508)	27.00 (686)	17.00 (432)	25.25 (641)	15.25 (387)	0.13 (3)	Formed	5	0.50 (13)	5.8 lbs.
HW-WM3024A	27.00 x 21.00 (686 x 533)	30 x 24 (762 x 610)	27.00 (686)	21.00 (533)	25.25 (641)	19.25 (489)	0.13 (3)	Flat	4	0.50 (13)	7 lbs.
HW-WM3630A	33.00 x 27.00 (838 x 686)	36 x 30 (914 x 762)	33.00 (838)	27.00 (686)	31.25 (794)	25.25 (641)	0.13 (3)	Flat	4	0.50 (13)	11 lbs.
HW-WM4836A	31.00 x 22.00 (787 x 559)	36 x 48 (914 x 1219)	31.00 (787)	22.00 (559)	29.00 (737)	20.00 (508)	0.13 (3)	Flat	8	0.50 (13)	22 lbs.
HW-WM6036A	57.00 x 33.00 (1448 x 838)	60 x 36 (1524 x 914)	57.00 (1448)	33.00 (838)	55.25 (1403)	31.25 (794)	0.13 (3)	Formed	8	0.50 (13)	23 lbs.

Note: Subpanels must be ordered separately. Dimensions in inches (millimeters).



Note: Subpanels less than 33" wide do not have center holes as shown.



**OPTIONAL MOUNTING
FOOT KITS**

OPTIONAL MOUNTING FOOT KITS		
PART NUMBER	DESCRIPTION	WT.
HW-MGFTKIT	Mounting Foot Kit for Premier Series (4 pieces per kit)	1 oz.
HW-N4XMGFTKIT	Mounting Foot Kit for Slim Line & In-Line Series (4 pieces per kit)	1 oz.

HOLE PLUGS

HOLE PLUGS		
PART NUMBER	DESCRIPTION	WT.
HW-FGHP	Non-metallic hole plug, for .5 to .75 inch diameter hole	2 oz.
HW-FGHP-PB-075	Non-metallic hole plug for .75 to 1.00 inch diameter hole	2 oz.
HW-FGHP-100-125	Non-metallic hole plug for 1.00 to 1.25 inch diameter hole	2 oz.
HW-FGHP-150-200	Non-metallic hole plug for 1.50 to 2.00 inch diameter hole	2 oz.



DRAIN VENT

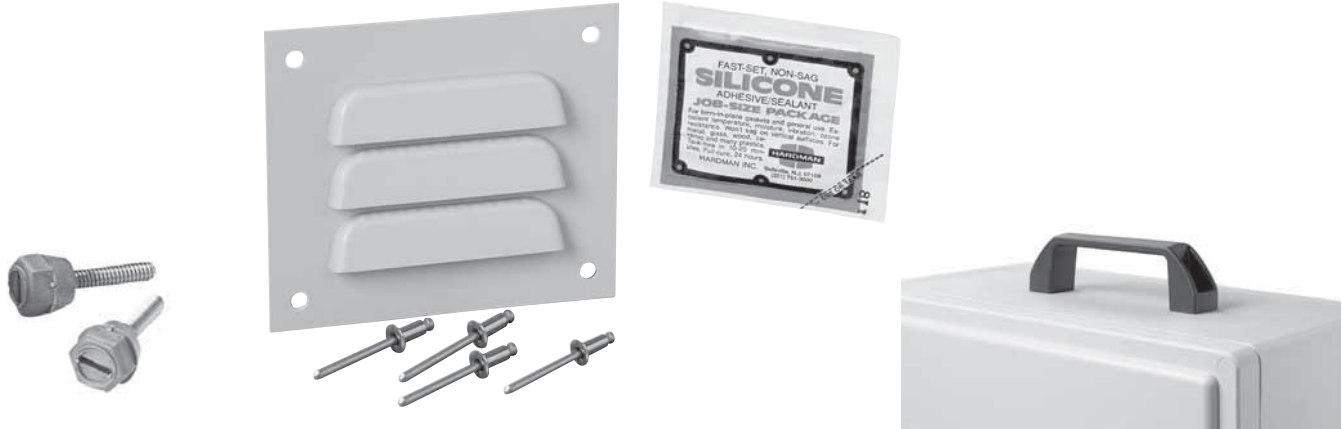
DRAIN VENT		
PART NUMBER	DESCRIPTION	WT.
HW-DV	Single Drain Vent	2 oz.
HW-DVKIT	Single Drain Vent, epoxy screws	2 oz.

STAINLESS STEEL SCREWS

STAINLESS STEEL SCREWS		
PART NUMBER	DESCRIPTION	WT.
HW-2PKSS	Stainless steel screws - pkg of 2	1 oz.
HW-4PKSS	Stainless steel screws - pkg of 4	1 oz.

VAPOR CAPSULE

VAPOR CAPSULE		
PART NUMBER	DESCRIPTION	WT.
HW-C12	Non-toxic vapor capsule prevents moisture and condensation from occurring on the interior of the enclosure for up to one year. Installs easily with a self-adhesive strip.	1 oz.



ENCAPSULATED SCREWS

ENCAPSULATED SCREWS		
PART NUMBER	DESCRIPTION	WT.
HW-2PKENCAP	PVC-encapsulated screws - pkg of 2	1 oz.
HW-4PKENCAP	PVC-encapsulated screws - pkg of 4	1 oz.

LOUVER PLATE AND KIT

LOUVER PLATE AND KIT		
PART NUMBER	DESCRIPTION	WT.
HW-LP	Louver plate only	2 oz.
HW-LPKIT	Louver plate, rivets, silicone	2 oz.

CARRYING HANDLE

CARRYING HANDLE		
PART NUMBER	DESCRIPTION	WT.
HW-Carrying Handle	Non-metallic black handle	2 oz.

Section F Index

SDN12 Series

NEMA 12 Flanged Single Door
DisconnectsF3

N412CD, N412CDSS, N412CDSSA Series

ULTIMATE Flanged Single Door
DisconnectsF6

N412CSTD, N412CSSSTD Series

ULTIMATE Slope-Top Flanged
Single Door DisconnectsF8

SN4 Series

NEMA 4 Flanged Single Door
DisconnectsF10

SSN4X Series

NEMA 4 Flanged Single Door
DisconnectsF12

ABN12 Series (1494F & 1494D)

NEMA 12 Flanged Single Door
DisconnectsF23

WAX-U & WACPX-U Series

NEMA 12 Floor-Mount DisconnectsF28

WAX-MU Series (1, 2, 3, 4, 5 Door)

NEMA 12 Heavy Duty Freestanding
DisconnectsF34

WMOD Series

NEMA 12 Modular Freestanding
DisconnectsF40

WAX-SSN4, WACPX-SSN4 Series

NEMA 4X Floor Mount DisconnectsF45

WAX-MSSN4 Series

NEMA 4X Freestanding Single & Double
Door DisconnectsF47

NEMA 12 Adapter PlatesF61

DISCONNECTS





“WM” PREFERRED CUTOUT

FEATURES-SPECIFICATIONS

Applications

These General purpose disconnect enclosures accept major brand disconnect switches and circuit breakers, available with or without Wiegman-supplied defeater door handle and handle hardware (door handle supplied on SDN12PL, N412CD and N412CSTD models only).

Enclosures having the “WM” preferred cutout are sized for use with up to 200A disconnect switches and up to 400A circuit breakers unless otherwise specified. The “WM” preferred cutout accepts the smaller operating handle whose mounting hole centers are 4.677 in. apart. “WM” preferred cutouts are standard in mild steel wall-mount enclosures, modular enclosures and some select large mild steel enclosures. They are also present on all standard stainless steel offerings. Mild steel operator adapter plates with brand specific “WM” preferred cutouts are available for enclosures with a rectangular universal cutout.

“WM” preferred cutouts are designed to house the following:

Allen-Bradley

- 1494V disconnect switches with flange-mount variable depth operating mechanisms and 1494V flange-mounted variable depth operating mechanisms for circuit breakers
- 140U flexible cable operating mechanisms and 140U molded case circuit breakers
- 1494C cable-operated disconnect switches with flange-mount handles
- 194RC cable-operated flange-mount handles for use with the NFPA 79 compliant 194R IEC rotary disconnect switches

Allen-Bradley 1494V-R1, -R2 and -W2 operating handles and Allen-Bradley 1494F disconnect devices or 1494D circuit breaker operators will NOT fit these enclosures.

See Pages F20-F23 for ABN12 149F & 1494D models

- **ABB Controls** flange-mount variable-depth operating mechanism for disconnect switches and circuit breakers. Also the cable version for circuit breakers.
- **Eaton Cutler-Hammer** Type C361 flange-mount variable-depth operating mechanisms with disconnect switches and Type C371 flange-mount variable-depth operating mechanisms for circuit breakers.

- **General Electric** Type STDA flange handles and variable-depth operating mechanisms for disconnect switches and circuit breakers. Also SPECTRAFLEX™ cable operators for circuit breakers
- **Siemens ITE Max-Flex™** flange-mount variable-depth operating handles for circuit breakers.
- **Schneider Square D®** Class 9422 disconnect switches with flange-mount variable-depth operating mechanisms or cable mechanisms and Class 9422 flange-mount variable-depth operating mechanism or cable mechanisms for circuit breakers.

These enclosures will not accept Schneider Square D® Class 9422 bracket-mounted disconnect devices, Class 9422TGI, or TG2 devices

Important Ordering Information

Depending on model, order as follows:

On SDN12PL, N412 CD and N412CSTD Models

- Customer must order operating mechanism, operating handle, and disconnect switch or circuit breakers from the disconnect manufacturers (door handle and latching hardware included). See page F14 for ordering information.

On SDN12 and ABN12 V, U, C Models

- Customer must order operating mechanism and disconnect switch or circuit breakers, operating handle, and door hardware from the disconnect manufacturers (see page F14 for ordering information).

On SN4 and SSN4X Models

- Customer must order operating mechanism, operating handle and disconnect switch or circuit breakers, from the disconnect manufacturers (these models do NOT get door hardware). See page F15 for ordering information.

Wire Bend Space

- See pages F16-F22 for wire bend space available when various manufactures' disconnect switches are installed. Check the enclosure dimension drawings to verify the chosen disconnect switch will fit in the enclosure.

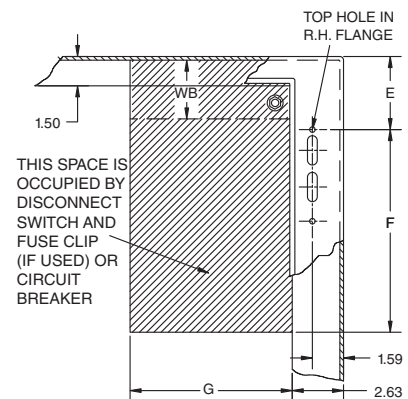
Note:

- E = 4.75 when Depth = 8.00
- E = 7.09 when Depth = 10.00
- E = 11.62 when Depth = 12.00 or 16.00
- E = 18.38 for SDN 12603812A
- WB = Wiring Space

See Pages F11-F19 for various brands of disconnects for “F”, “G” & “WB” dimensions.

Disconnects will occupy space on panel shown by dimensions “E”, “F” & “G”. Wiring space “WB” is available when disconnect is installed in the enclosure.

Refer to National Electrical Code article 430-10(b) for wiring space required for line side conductors to be connected to disconnect. Verify your application to determine if wiring space is adequate.



*Operator adapter plates are not required with these enclosures

SDN12 & SDN12PL SERIES ENCLOSURES NEMA 12 FLANGED SINGLE DOOR DISCONNECT

F3



Industry Standards

UL 508, Types 12 & 13

CSA Certified, Type 12

NEMA/EEMAC Types 12 & 13

 UL Files E64791

 CSA File LL66078

FEATURES-SPECIFICATIONS

Construction

- Bodies and doors fabricated from 14 gauge steel
- Plasma welded seams
- Rolled lip around all sides of enclosure opening excludes liquids and contaminants
- Doors easily removed by pulling continuous hinge pin
- Polyurethane poured-in-place gasket
- External mounting feet
- Collar studs for mounting optional back panel
- Grounding provisions provided
- Holes are provided in body and door for mounting operating handle, operating mechanism, and door closing mechanism

- Guide brackets and interlock door catch are welded to the inside of door
- A cover latch bar is also included for door hardware
- Print pocket is provided
- Enclosures under 40" high require 2-point door hardware
- Enclosures 40" high and larger require 3-point door hardware
- Instructions to locate and install disconnect switches, circuit breakers, and operating mechanisms are provided
- Enclosures available with or without padlocking, defeater handle and latching system

Finish

- ANSI 61 gray polyester powder inside and out over phosphatized surfaces
- **Optional** back panels are white polyester powder over phosphatized surfaces
- **Optional** "G" panels have a conductive finish

Accessories

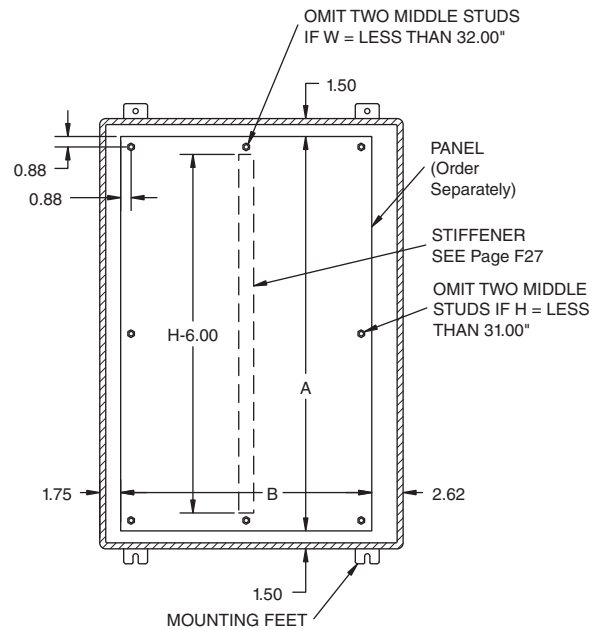
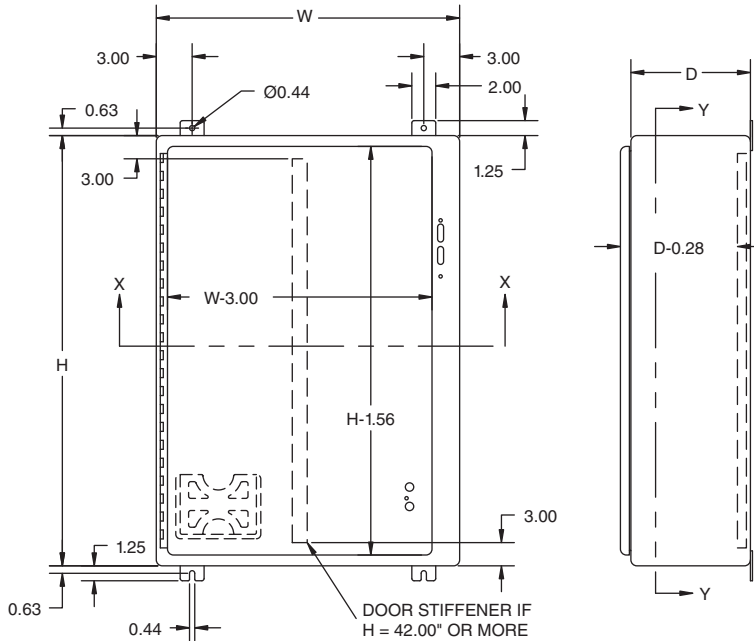
- Back panels (reference tables)
- Blank Adapter Plates on page F61

IMPORTANT Ordering Information

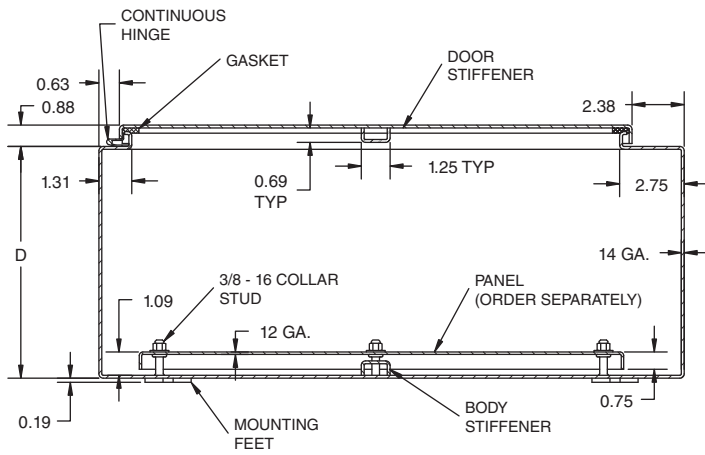
- See F2 for disconnect switch, circuit breakers, operating handle and operating mechanism.

SDN12 & SDN12PL SERIES ENCLOSURES NEMA 12 FLANGED SINGLE DOOR DISCONNECT

F5



SECTION Y-Y



SECTION X-X

Note:
 E = 4.75 when Depth = 8.00
 E = 7.09 when Depth = 10.00
 E = 11.62 when Depth = 12.00 or 16.00
 E = 18.38 for SDN12603812A
 WB = Wiring Space

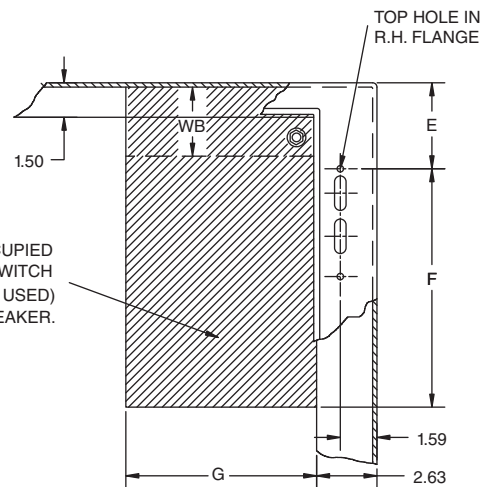
See Pages F16-F22 for various brands of disconnects for "F", "G", & "WB" dimensions.

Disconnects will occupy space on panel shown by dimensions "E", "F", & "G". Wiring space "WB" is available when disconnect is installed in the enclosure.

Refer to National Electrical Code article 430-10(b) for wiring space required for line side conductors to be connected to disconnect. Verify your application to determine if wiring space is adequate.

Notes:

1. Large print pocket (8" x 10") is provided in each enclosure.
2. Panels are made from 12 Ga. steel.
3. Panels have flanges along all sides when either dimension exceeds 17".
4. Catalog number SDN12603812A has a larger cutout in the enclosure flange to accommodate the Allen-Bradley 1494V-H2 and I-T-E FHOHN operating handles.
5. Enclosures under 40" high require 2-point door hardware and enclosures 40" high and larger require 3-point door hardware.
6. See Page F27 for Stiffener Location



SDN12 Version

**N412-CD N412-CDSS ULTIMATE SERIES ENCLOSURES
NEMA 412 FLANGED SINGLE DOOR DISCONNECT**

(CARBON, 304 AND 316L STAINLESS STEEL)



Industry Standards

UL 508, Types 12, 13, 4 & 4X
CSA Certified, Type 12, 13, 4 & 4X
NEMA/EEMAC Types 12, 13, 4 & 4X

 UL Files E64791

 CSA File LL66078

FEATURES-SPECIFICATIONS

Construction

- CD enclosure version bodies and doors fabricated from 14 gauge carbon steel
- CDSS enclosure version bodies and doors fabricated from 14 gauge 304 stainless steel 316L also available)
- Continuously plasma welded seams
- Increased tub opening for better access
- Concealed hinges
- Doors are interchangeable and easily removable
- Grounding provisions provided
- Doors are sealed with poured-in-place polyurethane gasket
- Mounting holes in rear of enclosure
- Studs for mounting optional sub panel

- Door latching system installed on door with a slotted insert defeater mechanism to open
- Latching system interlocks with the disconnect handle for added safety
- 2pt latch system up to 36" in height and 3pt latch system on enclosures 42" and higher

Finish

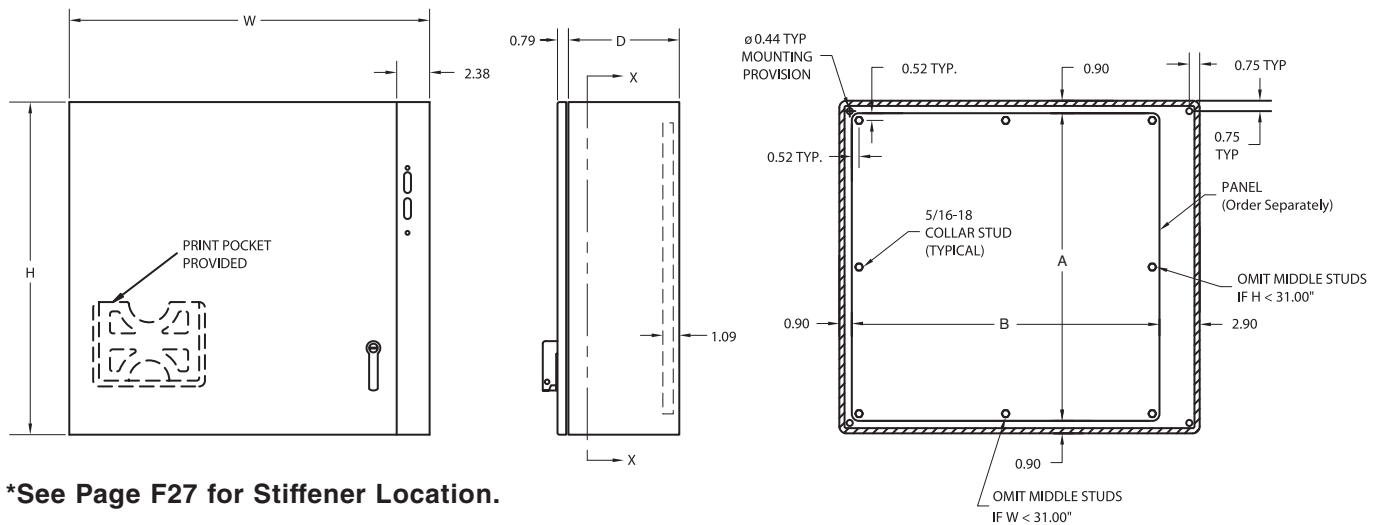
- ANSI 61 gray polyester powder inside and out over phosphatized surfaces
- Stainless steel enclosures #4 brush finish
- Optional back panels are white polyester powder over phosphatized surfaces
- Optional "G" panels have a conductive finish

Accessories

- Back panels (reference tables)
- Blank Adapter Plates on page F61

IMPORTANT Ordering Information

- See F2 for disconnect switch, circuit breakers, operating handle and operating mechanism.



*See Page F27 for Stiffener Location.

**N412-CD N412-CDSS ULTIMATE SERIES ENCLOSURES
NEMA 412 FLANGED SINGLE DOOR DISCONNECT**

F7

(CARBON, 304 AND 316L STAINLESS STEEL)

N412CD ULTIMATE SERIES WALLMOUNT DISCONNECTS CARBON STEEL, PAINTED ANSI 61 POLYESTER POWDER					
CATALOG NUMBER	BODY/DOOR STEEL GAUGE	ENCLOSURE SIZE H X W X D	BACK PANEL CATALOG NUMBER*		BACK PANEL SIZE A X B
			WHITE	"G"	
N412202208CD	14/14	20.00 x 22.00 x 8.00 (508 x 559 x 203)	NP2020C	NP2020CG	18.2 x 18.2 (462 x 462)
N412242208CD	14/14	24.00 x 22.00 x 8.00 (610 x 559 x 203)	NP2420C	NP2420CG	22.2 x 18.2 (564 x 462)
N412242608CD	14/14	24.00 x 26.00 x 8.00 (610 x 660 x 203)	NP2424C	NP2424CG	22.2 x 22.2 (564 x 564)
N412302608CD	14/14	30.00 x 26.00 x 8.00 (762 x 660 x 203)	NP3024C	NP3024CG	28.2 x 22.2 (716 x 564)
N412362608CD	14/14	36.00 x 26.00 x 8.00 (914 x 660 x 203)	NP3624C	NP3624CG	34.2 x 22.2 (869 x 564)
N412363208CD	14/14	36.00 x 32.00 x 8.00 (914 x 813 x 203)	NP3630C	NP3630CG	34.2 x 28.2 (869 x 716)
N412423212CD	14/14	42.00 x 32.00 x 12.00 (1067 x 813 x 305)	NP4230C	NP4230CG	40.2 x 28.2 (1021 x 716)
N412423812CD	14/14	42.00 x 38.00 x 12.00 (1067 x 965 x 305)	NP4236C	NP4236CG	40.2 x 34.2 (1021 x 869)
N412483812CD	14/14	48.00 x 38.00 x 12.00 (1219 x 965 x 305)	NP4836C	NP4836CG	46.2 x 34.2 (1173 x 869)
N412603812CD	14/14	60.00 x 38.00 x 12.00 (1524 x 965 x 305)	NP6036C	NP6036CG	58.2 x 34.2 (1478 x 869)

N412CDSS ULTIMATE SERIES WALLMOUNT DISCONNECTS 304 STAINLESS STEEL					
CATALOG NUMBER	BODY/DOOR STEEL GAUGE	ENCLOSURE SIZE H X W X D	BACK PANEL CATALOG NUMBER*		BACK PANEL SIZE A X B
			WHITE	"G"	
N412202208CDSS	14/14	20.00 x 22.00 x 8.00 (508 x 559 x 203)	NP2020C	NP2020CG	18.2 x 18.2 (462 x 462)
N412242208CDSS	14/14	24.00 x 22.00 x 8.00 (610 x 559 x 203)	NP2420C	NP2420CG	22.2 x 18.2 (564 x 462)
N412242608CDSS	14/14	24.00 x 26.00 x 8.00 (610 x 660 x 203)	NP2424C	NP2424CG	22.2 x 22.2 (564 x 564)
N412302608CDSS	14/14	30.00 x 26.00 x 8.00 (762 x 660 x 203)	NP3024C	NP3024CG	28.2 x 22.2 (716 x 564)
N412362608CDSS	14/14	36.00 x 26.00 x 8.00 (914 x 660 x 203)	NP3624C	NP3624CG	34.2 x 22.2 (869 x 564)
N412363208CDSS	14/14	36.00 x 32.00 x 8.00 (914 x 813 x 203)	NP3630C	NP3630CG	34.2 x 28.2 (869 x 716)
N412423212CDSS	14/14	42.00 x 32.00 x 12.00 (1067 x 813 x 305)	NP4230C	NP4230CG	40.2 x 28.2 (1021 x 716)
N412423812CDSS	14/14	42.00 x 38.00 x 12.00 (1067 x 965 x 305)	NP4236C	NP4236CG	40.2 x 34.2 (1021 x 869)
N412483812CDSS	14/14	48.00 x 38.00 x 12.00 (1219 x 965 x 305)	NP4836C	NP4836CG	46.2 x 34.2 (1173 x 869)
N412603812CDSS	14/14	60.00 x 38.00 x 12.00 (1524 x 965 x 305)	NP6036C	NP6036CG	58.2 x 34.2 (1478 x 869)

N412CDSSA ULTIMATE SERIES WALLMOUNT DISCONNECTS 316L STAINLESS STEEL					
CATALOG NUMBER	BODY/DOOR STEEL GAUGE	ENCLOSURE SIZE H X W X D	BACK PANEL CATALOG NUMBER*		BACK PANEL SIZE A X B
			WHITE	"G"	
N412202208CDSSA	14/14	20.00 x 22.00 x 8.00 (508 x 559 x 203)	NP2020C	NP2020CG	18.2 x 18.2 (462 x 462)
N412242208CDSSA	14/14	24.00 x 22.00 x 8.00 (610 x 559 x 203)	NP2420C	NP2420CG	22.2 x 18.2 (564 x 462)
N412242608CDSSA	14/14	24.00 x 26.00 x 8.00 (610 x 660 x 203)	NP2424C	NP2424CG	22.2 x 22.2 (564 x 564)
N412302608CDSSA	14/14	30.00 x 26.00 x 8.00 (762 x 660 x 203)	NP3024C	NP3024CG	28.2 x 22.2 (716 x 564)
N412362608CDSSA	14/14	36.00 x 26.00 x 8.00 (914 x 660 x 203)	NP3624C	NP3624CG	34.2 x 22.2 (869 x 564)
N412363208CDSSA	14/14	36.00 x 32.00 x 8.00 (914 x 813 x 203)	NP3630C	NP3630CG	34.2 x 28.2 (869 x 716)
N412423212CDSSA	14/14	42.00 x 32.00 x 12.00 (1067 x 813 x 305)	NP4230C	NP4230CG	40.2 x 28.2 (1021 x 716)
N412423812CDSSA	14/14	42.00 x 38.00 x 12.00 (1067 x 965 x 305)	NP4236C	NP4236CG	40.2 x 34.2 (1021 x 869)
N412483812CDSSA	14/14	48.00 x 38.00 x 12.00 (1219 x 965 x 305)	NP4836C	NP4836CG	46.2 x 34.2 (1173 x 869)
N412603812CDSSA	14/14	60.00 x 38.00 x 12.00 (1524 x 965 x 305)	NP6036C	NP6036CG	58.2 x 34.2 (1478 x 869)

*Back panels must be ordered separately.


N412242608CSSSTD
Industry Standards

UL 508, Types 4, 4x, 12, & 13

CSA Certified, Types 4, 4x, 12, & 13

NEMA/EEMAC Types 4, 4x, 12, & 13

 UL File E64791

 CSA File LL66078

FEATURES-SPECIFICATIONS
Applications

Hubbell Wiegmann N412CSTD & N412CSSSTD Ultimate Series Disconnects are designed to house and protect electrical and electronic components from harsh, dirty environments. For use in installations where dirt, dust, oil, water or other contaminants are present. Streamlined styling, latching and attractive durable finish complement any high tech electronic equipment.

Construction

- Bodies and doors fabricated from 14 gauge steel (optional 304 also available)
- Continuously Plasma welded seams
- Increased tub opening for better access
- 20 Degree sloped top
- Sloped "Top tub flange"
- Concealed hinges
- Doors are interchangeable and easily removable

- Grounding provisions provided
- 1/4-turn semi-flush oil tight latches are supplied to hold door securely closed
- Print pocket is provided
- Doors are sealed with poured-in-place polyurethane gasket
- Mounting holes in rear of enclosure
- Studs for mounting optional back panel (the Ultimate back panels have increased in size to accommodate larger foot-print installations)
- Ultimate Accessory Driven
- Door handle and latching hardware are provided
- Door latching system installed on door with slotted insert defeater mechanism to open
- Latching system interlocks with the disconnect handle for added safety
- 2pt latch system up to 36" in height and 3pt latch system on enclosures 42" and higher

Finish

- ANSI 61 gray polyester powder inside and out over phosphatized surfaces
- Stainless: interior = standard commercial finish, ext = standard grained finish
- **Optional** back panels are white polyester powder over phosphatized surfaces
- **Optional** "G" panels have a conductive finish

Accessories

- Back panels (reference tables)
- See pages J1-J22

IMPORTANT Ordering Information

- See F2 for disconnect switch, circuit breakers, operating handle and operating mechanism.

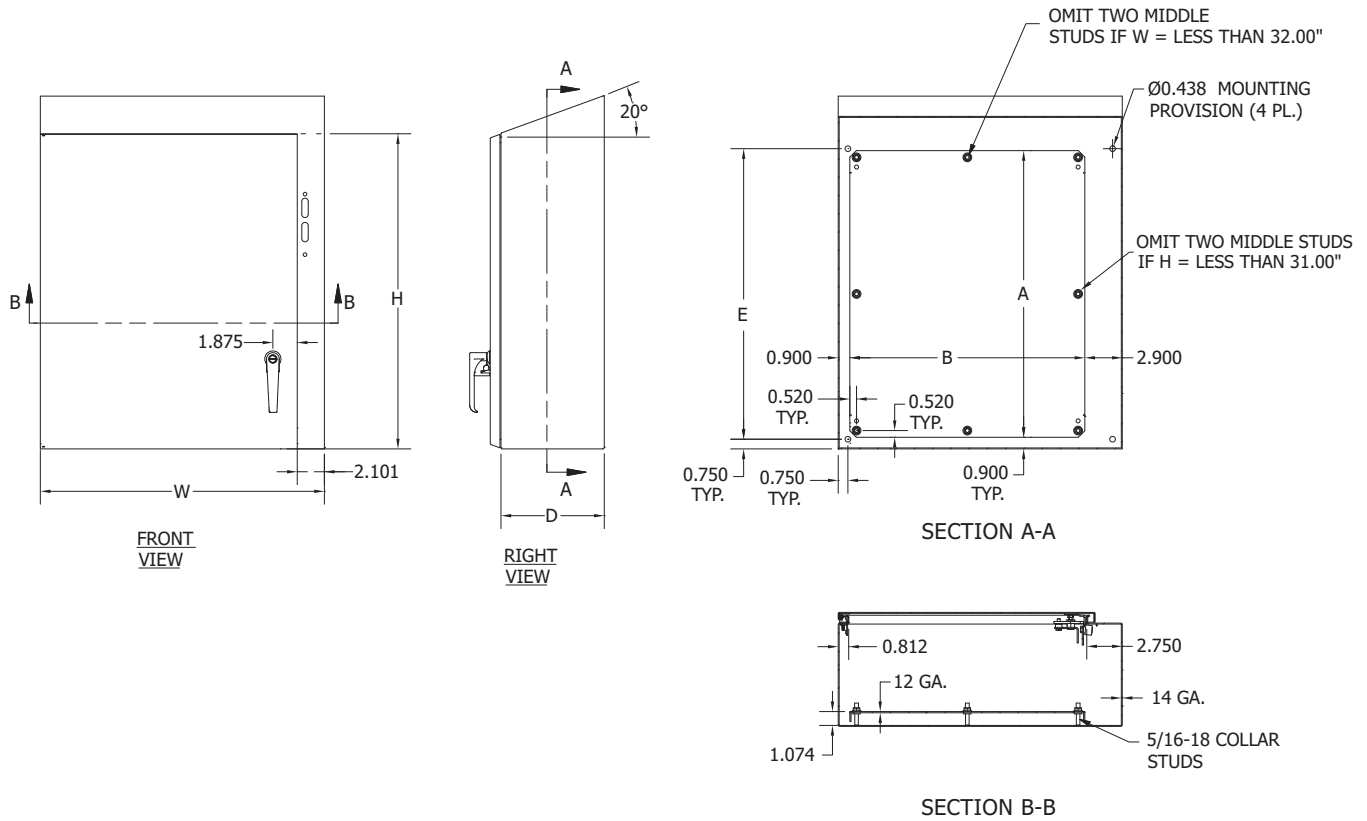
N412CSTD & N412CSSSTD ULTIMATE SERIES ENCLOSURES NEMA 4X SLOPE TOP SINGLE DOOR DISCONNECT

F9

N412-CSTD ULTIMATE SERIES ENCLOSURES NEMA 4X SLOPE TOP SINGLE DOOR DISCONNECT					
CATALOG NUMBER	BODY/DOOR STEEL GAUGE	ENCLOSURE SIZE H X W X D	BACK PANEL CATALOG NUMBER*		BACK PANEL SIZE A X B
			WHITE	"G"	
N412202208CSTD	14/14	20.00 x 22.00 x 8.00 (508 x 559 x 203)	NP2020C	NP2020CG	18.2 x 18.2 (462 x 462)
N412242208CSTD	14/14	24.00 x 22.00 x 8.00 (610 x 559 x 203)	NP2420C	NP2420CG	22.2 x 18.2 (564 x 462)
N412242608CSTD	14/14	24.00 x 26.00 x 8.00 (610 x 660 x 203)	NP2424C	NP2424CG	22.2 x 22.2 (564 x 564)
N412302608CSTD	14/14	30.00 x 26.00 x 8.00 (762 x 660 x 203)	NP3024C	NP3024CG	28.2 x 22.2 (716 x 564)
N412363210CSTD	14/14	36.00 x 32.00 x 10.00 (914 x 660 x 203)	NP3630C	NP3630CG	34.2 x 28.2 (869 x 716)
N412423212CSTD	14/14	42.00 x 32.00 x 12.00 (1067 x 813 x 305)	NP4230C	NP4230CG	40.2 x 28.2 (1021 x 716)
N412483812CSTD	14/14	48.00 x 38.00 x 12.00 (1219 x 965 x 305)	NP4836C	NP4836CG	46.2 x 34.2 (1173 x 869)
N412603812CSTD	14/14	60.00 x 38.00 x 12.00 (1524 x 965 x 305)	NP6036C	NP6036CG	58.2 x 34.2 (1478 x 869)

N412-CSSSTD ULTIMATE SERIES ENCLOSURES NEMA 4X SLOPE TOP SINGLE DOOR DISCONNECT					
CATALOG NUMBER	BODY/DOOR STEEL GAUGE	ENCLOSURE SIZE H X W X D	BACK PANEL CATALOG NUMBER*		BACK PANEL SIZE A X B
			WHITE	"G"	
N412242608CSSSTD	14/14	24.00 x 26.00 x 8.00 (610 x 660 x 203)	NP2424C	NP2424CG	22.2 x 22.2 (564 x 564)
N412302608CSSSTD	14/14	30.00 x 26.00 x 8.00 (762 x 660 x 203)	NP3024C	NP3024CG	28.2 x 22.2 (716 x 564)
N412363210CSSSTD	14/14	36.00 x 32.00 x 10.00 (914 x 660 x 203)	NP3630C	NP3630CG	34.2 x 28.2 (869 x 716)
N412483812CSSSTD	14/14	48.00 x 38.00 x 12.00 (1219 x 965 x 305)	NP4836C	NP4836CG	46.2 x 34.2 (1173 x 869)
N412603812CSSSTD	14/14	60.00 x 38.00 x 12.00 (1524 x 965 x 305)	NP6036C	NP6036CG	58.2 x 34.2 (1478 x 869)

*Back panels must be ordered separately.



SN4 SERIES ENCLOSURES NEMA 4 FLANGED SINGLE DOOR DISCONNECT



SN4242108

Industry Standards

UL 508, Types 4, 12, & 13
CSA Certified, Types 4 & 12
NEMA/EEMAC Types 3, 4, 12, & 13

 UL File E64791

 CSA File LL66078

FEATURES-SPECIFICATIONS

Construction

- Bodies and doors fabricated from 14 gauge steel
- Plasma welded seams
- Rolled lip around all sides of enclosure opening excludes liquids and contaminants
- All exterior hardware is stainless steel
- Stainless steel door clamps are provided around three sides of doors for a watertight seal, additional door hardware is not required
- Body and door stiffeners provided in larger enclosures for extra rigidity
- Doors easily removed by pulling continuous hinge pin
- Polyurethane poured-in-place gasket
- External mounting feet.
- Collar studs for mounting **optional** back panel
- Grounding provisions provided
- Bracket welded to door for attaching disconnect interlock door catch
- Holes provided in body for mounting disconnect operating handle and operating mechanism. These enclosures are designed to operate properly without the use of door hardware
- Print pocket is provided

Finish

- ANSI 61 gray polyester powder inside and out over phosphatized surfaces
- **Optional** back panels are white polyester powder over phosphatized surfaces
- **Optional** "G" panels have a conductive finish

Accessories

- Back panels (reference tables)
- Blank Adapter Plates on page F61

IMPORTANT Ordering Information

- See F2 & F15 for disconnect switch, circuit breakers, operating handle and operating mechanism.

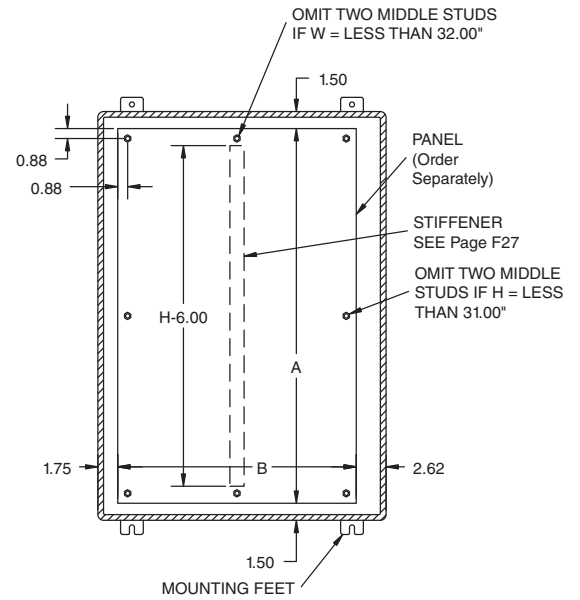
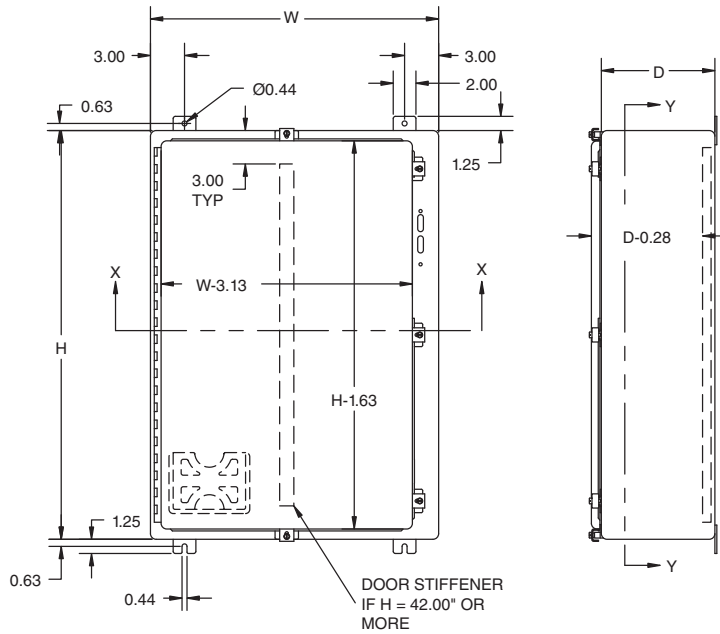
SN4 SERIES WALL-MOUNT DISCONNECTS					
CATALOG NUMBER	BODY/DOOR STEEL GAUGE	ENCLOSURE SIZE H X W X D	BACK PANEL CATALOG NUMBER*		BACK PANEL SIZE A X B
			WHITE	"G"	
SN4242108	14/14	24.00x21.38x8.13 (610x543x207)	NP2420	NP2420G	21.00x17.00 (533x432)
SN4242508	14/14	24.00x25.38x8.13 (610x645x207)	NP2424	NP2424G	21.00x21.00 (533x533)
SN4302508	14/14	30.00x25.38x8.13 (762x645x207)	NP3024	NP3024G	27.00x21.00 (686x533)
SN4363108	14/14	36.00x31.38x8.13 (914x797x207)	NP3630	NP3630G	33.00x27.00 (838x686)
SN4423112	14/14	42.00x37.38x12.13 (1067x949x308)	NP4230	NP4230G	39.00x27.00 (991x838)
SN4423712	14/14	42.00x37.38x12.13 (1067x949x308)	NP4236	NP4236G	39.00x33.00 (991x838)
SN4483712**	14/14	48.00x37.38x12.13 (1219x949x308)	NP4836	NP4836G	45.00x33.00 (1143x838)
SN4603712**	14/14	60.00x37.38x12.13 (1524x949x308)	NP6036	NP6036G	57.00x33.00 (1448x838)

*Back panels must be ordered separately.

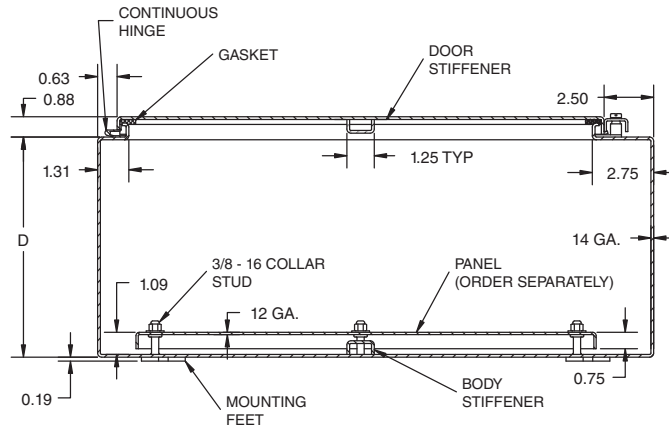
**Enclosures are supplied with closed cell neoprene gasket (not foam-in-place).

SN4 SERIES ENCLOSURES NEMA 4 FLANGED SINGLE DOOR DISCONNECT

F11



SECTION Y-Y



SECTION X-X

Notes:

1. Large print pocket (8" x 10") is provided in each enclosure.
2. Panels are made from 12 Ga. steel.
3. Panels have flanges along all sides when either dimension exceeds 17".
4. The number of door clamps is dependent on size of enclosure. Clamps are furnished along three sides of door.
5. See page F27 for Stiffener Location.

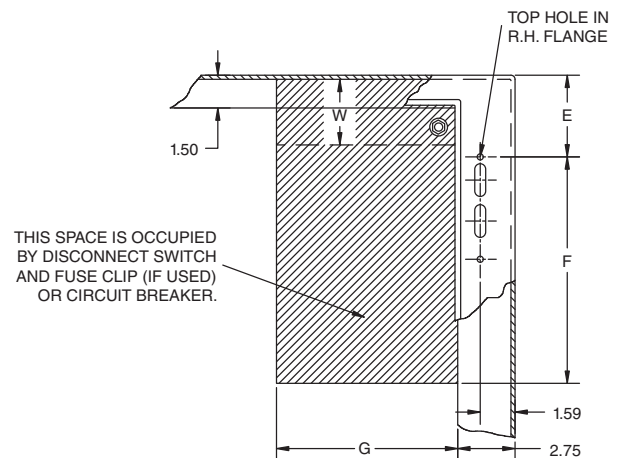
Space Occupied by Disconnect

E = 8.63 when Depth = 8.00
E = 11.62 when Depth = 12.00
WB = Wiring Space

See pages F16-F22 for various brands of disconnects for "F", "G", & "WB" dimensions.

Disconnects will occupy space on panel shown by dimensions "E", "F", & "G". Wiring space "WB" is available when disconnect is installed in the enclosure.

Refer to National Electrical Code article 430-10(b) for wiring space required for line side conductors to be connected to disconnect. Verify your application to determine if wiring space is adequate.



SSN4X SERIES ENCLOSURES NEMA 4X FLANGED SINGLE DOOR DISCONNECT



SSN4X242108

Industry Standards

UL 508, Types 4, 4X, 12, & 13
CSA Certified, Types 4 & 12
NEMA/EEMAC Types 4, 4X, 12, & 13

 UL File E64791

 CSA File LL66078

FEATURES-SPECIFICATIONS

Construction

- Bodies and doors fabricated from 14 gauge 304 stainless steel
- Continuously welded seams ground smooth
- Rolled lip around all sides of enclosure opening excludes liquids and contaminants
- All exterior hardware is stainless steel
- All interior and exterior parts of stainless steel enclosures are stainless steel except for print pocket
- Stainless steel door clamps are provided around three sides of doors for a watertight seal, additional door hardware is not required

- Body and door stiffeners provided in larger enclosures for extra rigidity
- Doors removed by pulling stainless steel continuous hinge pin
- Polyurethane poured-in-place gasket
- External mounting feet
- Collar studs for mounting optional back panel
- Grounding provisions provided
- Bracket welded to door for attaching disconnect interlock door catch
- Holes are provided in body for mounting disconnect operating handle and operating mechanism. These enclosures are designed to operate properly without the use of door hardware
- Print pocket is provided

Finish

- Enclosures have a grained finish on all external surfaces
- Optional back panels are white polyester powder over phosphatized surfaces
- Optional "G" panels have a conductive finish

Accessories

- Back panels (reference tables)
- Blank Adapter Plates are on page F61

IMPORTANT Ordering Information

- See F2 & F15 for disconnect switch, circuit breakers, operating handle and operating mechanism.

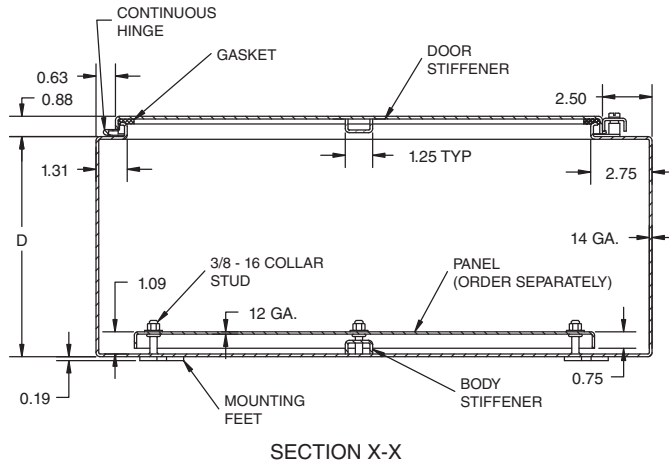
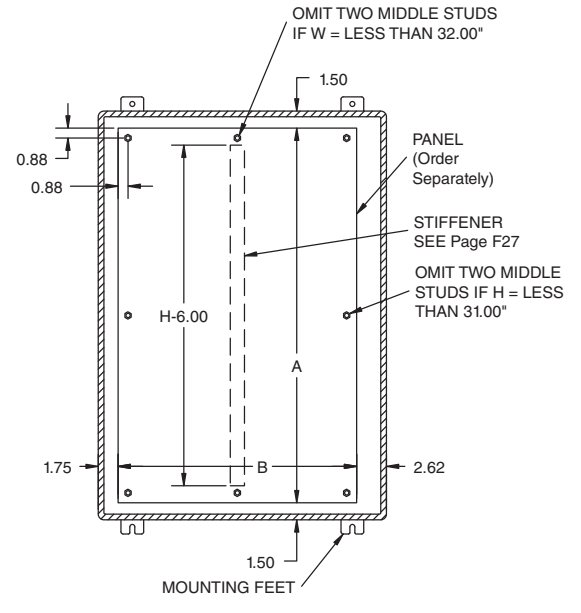
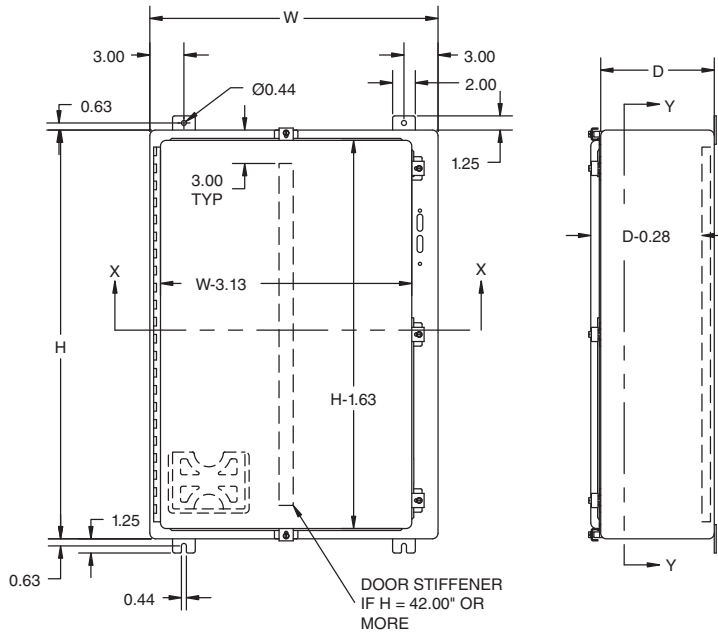
SSN4X SERIES STAINLESS WALL-MOUNT DISCONNECTS							
CATALOG NUMBER		BODY/DOOR STEEL GAUGE	ENCLOSURE SIZE H X W X D	BACK PANEL CATALOG NUMBER*			BACK PANEL SIZE A X B
304	316L			WHITE	304 SS	"G"	
SSN4X242108	SSN4X242108A	14/14	24.00x21.38x8.13 (610x543x207)	NP2420	NP2420SS	NP2420G	21.00x17.00 (533x432)
SSN4X242508	SSN4X242508A	14/14	24.00x25.38x8.13 (610x645x207)	NP2424	NP2424SS	NP2424G	21.00x21.00 (533x533)
SSN4X302508	SSN4X302508A	14/14	30.00x25.38x8.13 (762x645x207)	NP3024	NP3024SS	NP3024G	27.00x21.00 (686x533)
SSN4X362508	SSN4X362508A	14/14	36.00x25.38x8.13 (914x645x207)	NP3624	NP3624SS	NP3624G	33.00x21.00 (838x533)
SSN4X363108	SSN4X363108A	14/14	36.00x31.38x8.13 (914x797x207)	NP3630	NP3630SS	NP3630G	33.00x27.00 (838x686)
SSN4X423112	SSN4X423112A	14/14	42.00x31.38x12.13 (1067x797x308)	NP4230	NP4230SS	NP4230G	39.00x27.00 (991x686)
SSN4X423712	SSN4X423712A	14/14	42.00x37.38x12.13 (1067x949x308)	NP4236	NP4236SS	NP4236G	39.00x33.00 (991x838)
SSN4X483712	SSN4X483712A	14/14	48.00x37.38x12.13 (1219x949x308)	NP4836	NP4836SS	NP4836G	45.00x33.00 (1143x838)
SSN4X603712**	SSN4X603712A**	14/14	60.00x37.38x12.13 (1524x949x308)	NP6036	NP6036SS	NP6036G	57.00x33.00 (1448x838)

*Back panels must be ordered separately.

**Enclosures are supplied with closed cell neoprene gasket (not foam-in-place).

**SSN4X SERIES ENCLOSURES
NEMA 4X FLANGED SINGLE DOOR DISCONNECT**

F13



Notes:

1. Large print pocket (8" x 10") is provided in each enclosure.
2. Panels are made from 12 Ga. steel.
3. Panels have flanges along all sides when either dimension exceeds 17".
4. The number of door clamps is dependent on size of enclosure. Clamps are furnished along three sides of door.
5. See page F27 for Stiffener Location.

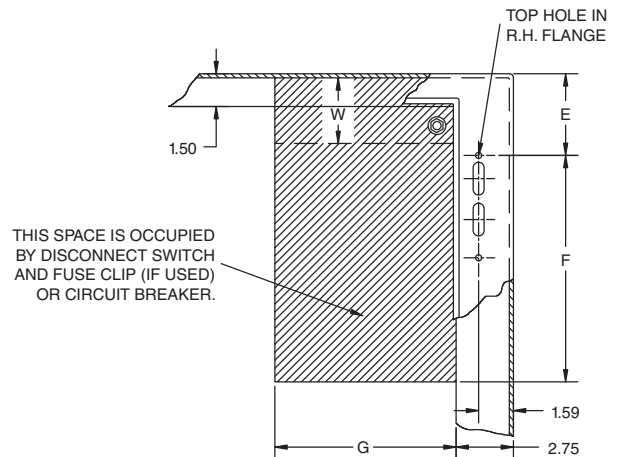
Space Occupied by Disconnect

E = 8.63 when Depth = 8.00
E = 11.62 when Depth = 12.00
WB = Wiring Space

See pages F16-F22 for various brands of disconnects for "F", "G", & "WB" dimensions.

Disconnects will occupy space on panel shown by dimensions "E", "F", & "G". Wiring space "WB" is available when disconnect is installed in the enclosure.

Refer to National Electrical Code article 430-10(b) for wiring space required for line side conductors to be connected to disconnect. Verify your application to determine if wiring space is adequate.



DISCONNECT ORDERING INFORMATION

When ordering wall-mounted disconnects from the various manufacturers, be sure to order all of the necessary items. Each company has a different system, so care is required. Order the following items from the disconnect manufacturer.

Allen-Bradley

- 1494V disconnect switches with flange-mount variable depth operating mechanisms and 1494V flange-mounted variable depth operating mechanisms for circuit breakers
- 140U flexible cable operating mechanisms and 140U molded case circuit breakers
- 1494C cable-operated disconnect switches with flange-mount handles
- 194RC cable-operated flange-mount handles for use with the NFPA 79 compliant 194R IEC rotary disconnect switches

Allen-Bradley 1494V-R1, -R2 and -W2 operating handles and Allen-Bradley 1494F disconnect devices or 1494D circuit breaker operators will NOT fit these enclosures.

When using a Bulletin 1494V disconnect switch, order:

- * 1. A disconnect switch with operating mechanism (Bulletin 1494V)
- * 2. Bulletin 1494-H1 operating handle (Use Bulletin 1494-H2 for enclosure catalog number SDN12603812A)
- * 3. A connecting rod [Bulletin 1494V-RA1 for 8.00" (203mm) and 10.00" (254mm) deep enclosures; Bulletin 1494V-RA2 for 12.00" (305mm) and 16.00" (406mm) deep enclosures; two of Bulletin 1494-RB2 for 400 amp or 600 amp switch in a SDN12603812A]
- * 4. A trailer fuse block kit, if required (Bulletin 1494V)
- * 5. A fuse clip kit, if required
- 6. Line and load connectors, if required
- ** 7. Door hardware (Bulletin 1494V-L1 for 2-point latching or Bulletin 1494V-L1 and 1494V-L2 for 3-point door latching)

When using a Bulletin 1494V circuit breaker operating mechanism, order:

- 1. A circuit breaker (C-H)
- 2. A circuit breaker operating mechanism (Bulletin 1494V)
- 3. An operating handle (Bulletin 1494V-H11)
- 4. A connecting rod [Bulletin 1494V-RA1 for 8.00" (203mm) and 10.00" (254mm) deep enclosures or Bulletin 1494V-RA2 for 12.00" (305mm) and 16.00" (406mm) deep enclosures]
- ** 5. Door hardware (Bulletin 1494V-L1 for 2-point latching or Bulletin 1494V-L1 and 1494V-L2 for 3-point door latching)

Allen-Bradley 1494 F Series See F23-F26

ABB Controls

When using a disconnect switch, order:

- 1. A flange operated switch (fusible or non-fusible)
- 2. A shaft [DSFHS-12 for 8.00" (203mm), 10.00" (254mm) and 12.00" (305mm) deep enclosures or DSFHS-17 for 16.00" (406mm) deep enclosures]
- 3. A handle (DSFGN-HS12)
- ** 4. Door hardware (FH-DHK for 2-point latching or FH-DHK and FH-3RL for 3-point latching)

When using a circuit breaker, order:

- 1. A circuit breaker (ABB)
- * 2. An operating mechanism
- * 3. A shaft [FHS-12 for 8.00" (203mm), 10.00" (254mm) and 12.00" (305mm) deep enclosures or FHS-17 for 16.00" (406mm) deep enclosures]
- * 4. Handle mechanism (FHN-HS12)
- ** 5. Door hardware (FH-DHK for 2-point latching or FH-DHK and FH-3RL for 3-point latching)

Eaton Cutler-Hammer

When using a Type C361 disconnect switch, order:

- * 1. A disconnect switch with an operating mechanism
- * 2. An operating handle (C361H1 or C361H3)
- ** 3. Door hardware (C361KJ4 or C361KJ6 for 2-point latching, C361KJ4 or C361KJ6 and C361KR for 3-point latching)

When using a Type C371 circuit breaker operating mechanism with a C-H circuit breaker, order:

- 1. A circuit breaker
- * 2. An operating mechanism
- * 3. An operating handle
- ** 4. Door hardware (C361KJ4 or C361KJ6 for 2-point latching, C361KJ4 or C361KJ6 and C361KR for 3-point latching)

When using a C-H circuit breaker with a Flex Shaft™ handle mechanism, order:

- 1. A circuit breaker
- 2. A complete Flex Shaft™ handle mechanism
- ** 3. Door hardware (C361KJ4 or C361KJ6 for 2-point latching, C361KJ4 or C361KJ6 and C361KR for 3-point latching)

General Electric

When using a disconnect switch, order:

- 1. A disconnect switch (Type QMR or QMW)
- 2. A fuse clip kit or no-fuse kit
- 3. A flange handle (STDA1 or STDA2)
- 4. A variable depth operating mechanism
- ** 5. Door hardware (TDV1 for 2-point latching or TDV1 and TDV3 for 3-point latching)

When using a circuit breaker with a Spectra Flex™ cable operator, order:

- 1. A circuit breaker
- 2. A flange-mounted handle mechanism
- 3. A breaker-mounted mechanism
- 4. An operating cable
- ** 5. Door hardware (TDV1 for 2-point latching or TDV1 and TDV3 for 3-point latching)

When using a circuit breaker, order:

- 1. A circuit breaker
- 2. A flange handle (STDA1 or STDA2)
- 3. A variable depth operating mechanism
- ** 4. Door hardware (TDV1 for 2-point latching or TDV1 and TDV3 for 3-point latching)

Siemens I-T-E Max-Flex™

When using a disconnect switch, order:

- 1. A basic switch (right-hand)
- 2. A fuse or no-fuse kit
- * 3. FHOHS flange-mounted handle
- * 4. Switch operator
- * 5. Cable, 36"
- ** 6. Door hardware (DKR2 for 2-point latching or DKR3 for 3-point latching)

NOTE: Some I-T-E fixed depth switch operators can be used. Contact Hubbell/Wiegmann for more information.

When using a circuit breaker, order:

- 1. A circuit breaker
- 2. Pressure wire connectors
- * 3. FHOHN flange-mounted handle (Use FHOHN for enclosure catalog number SDN12603812A)

Siemens ITE Max-Flex™ (cont.)

- * 4. A circuit breaker operator mechanism
- * 5. An operating cable (standard 36.00" for 125 amp to 600 amp circuit breakers, and 48.00" for 800 amp to 1200 amp circuit breakers)
- ** 6. Door hardware (DKR2 for 2-point latching or DKR2 for 3-point latching)

Schneider Square D®

When using a Class 9422 disconnect switch, order:

- * 1. A disconnect switch with operating mechanism (Class 9422)
- * 2. A handle mechanism (Class 9422 Type A-1)
- ** 3. A door closing mechanism (Class 9423 Type M4 for 2-point latching, or Class 9423 Type M9 or M4 and Class 9423 Type M3 for 3-point latching)

When using a circuit breaker, order:

- 1. A circuit breaker (Schneider Square D®)
- * 2. An operating mechanism (Class 9422)
- * 3. A handle mechanism (Class 9422 Type A-1)
- ** 4. A door closing mechanism (Class 9423 Type M4 for 2-point latching, or Class 9423 Type M9 or M4 and Class 9423 Type M3 for 3-point latching)

When using a Class 9422 Type "T" disconnect switch with a cable mechanism, order:

- 1. A disconnect switch with operating mechanism (Class 9422, Type T)
- 2. A handle mechanism (Class 9422, Type A-1)
- 3. A cable mechanism (Class 9422, CFT_O) 3-, 5-, or 10-foot
- ** 4. A door closing mechanism (Class 9423 Type M4 for 2-point latching, or Class 9423 Type M9 or M4 and Class 9423 Type M3 for 3-point latching)

When using a circuit breaker with a cable mechanism, order:

- 1. A circuit breaker (Schneider Square D®)
- 2. A handle mechanism (Class 9422, Type A-1)
- 3. A cable mechanism (Class 9422, CFT_O) 3-, 5-, or 10-foot
- ** 4. A door closing mechanism (Class 9423 Type M4 for 2-point latching, or Class 9423 Type M9 or M4 and Class 9423 Type M3 for 3-point latching)

** Items available from disconnect manufacturer as complete kits.*

*** Enclosure "A" dimension less than 40.00" (1016mm) requires a 2-point door closing mechanism. Enclosures with an "A" dimension of 40.00" or more require a 3-point latching mechanism.*

PLEASE NOTE:

1. Operator adapter plates are not required with enclosures on page F2-F13.
2. Various other switch accessories and circuit breaker accessories are available from disconnect manufacturers. The information is subject to change without notice. Please contact Hubbell/Wiegmann or the disconnect manufacturer if there are further questions.
3. The "Space Occupied" tables (pages F16-F22) are based upon information supplied by disconnect manufacturers. Hubbell/Wiegmann does not assume responsibility for the accuracy of these dimensions.
4. Check to make certain enclosure size is adequate for disconnect mechanisms and wire bend space both above line lugs and below load lugs.

DISCONNECT ORDERING INFORMATION

When ordering wall-mounted disconnects from the various manufacturers, be sure to order all of the necessary items. Each company has a different system, so care is required. Order the following items from the disconnect manufacturer.

Use a Type 4 & 4X disconnect operating handle on the enclosure flange to provide corrosion resistance and maintain enclosure rating.

Allen-Bradley

When using a Bulletin 1494V disconnect switch, order:

1. A disconnect switch with operating mechanism (Bulletin 1494V)
2. An operating handle (Bulletin 1494V-W1)
3. A connecting rod [Bulletin 1494V-RA1 for 8.00" (203mm) deep enclosures; Bulletin 1494V-RA2 for 12.00" (305mm) deep enclosures]
4. A trailer fuse block kit, if required (Bulletin 1494V)
5. A fuse clip kit, if required
6. Line and load connectors, if required

When using a Bulletin 1494V circuit breaker operating mechanism, order:

1. A circuit breaker (C-H)
2. A circuit breaker operating mechanism (Bulletin 1494V)
3. An operating handle (Bulletin 494V-W11)
4. A connecting rod [Bulletin 1494V-RA1 for 8.00" (203mm) deep enclosures; Bulletin 1494V-RA2 for 12.00" (305mm) deep enclosures]

ABB Controls

When using a disconnect switch, order:

1. A flange operated switch (fusible or non-fusible)
2. A shaft [DSFHS-12]
3. A handle (DSFHN-HS4)

When using a circuit breaker, order:

1. A circuit breaker (ABB)
2. An operating mechanism
3. A shaft [FHS-12]
4. A handle (FHN-HS4)

PLEASE NOTE:

1. Operator adapter plates and door hardware are not required with enclosures on page F2-F13.
2. Various other switch accessories and circuit breaker accessories are available from disconnect manufacturers. The above information is subject to change without notice. Please contact Hubbell-Wiegmann or the disconnect manufacturer if there are further questions.
3. The "Space Occupied" tables (pages F16-F22) are based upon information supplied by disconnect manufacturers. Hubbell-Wiegmann does not assume responsibility for the accuracy of these dimensions.

** Items available from disconnect manufacturer as complete kits.*

Eaton Cutler-Hammer

When using a Type C361 disconnect switch, order:

1. A disconnect switch with an operating mechanism
2. An operating handle (C361H2 or C361H4)

When using a Type C371 circuit breaker operating mechanism with a C-H circuit breaker, order:

1. A circuit breaker
2. An operating mechanism
3. An operating handle (C371H2 or C371H4)

When using a C-H circuit breaker with a Type 4/4X Flex Shaft™ handle mechanism, order:

1. A circuit breaker
2. A complete Flex Shaft™ handle mechanism

General Electric

When using a disconnect switch, order:

1. A disconnect switch (Type QMR or QMW)
2. A fuse clip kit or no-fuse kit
3. A flange handle (STDA1X)
4. A variable depth operating mechanism

When using a circuit breaker, order:

1. A circuit breaker
2. A flange handle (STDA1X)
3. A variable depth operating mechanism

When using a circuit breaker with a Spectra Flex™ cable operator, order:

1. A circuit breaker
2. A flange-mounted handle mechanism
3. A breaker-mounted mechanism
4. An operating cable

Siemens ITE Max-Flex™

When using a disconnect switch, order:

1. A basic switch (right-hand)
2. A fuse or no-fuse kit
3. A flange-mounted handle (FHOHS4)
4. Switch operator
5. Cable, 36.00"

When using a circuit breaker, order:

1. A circuit breaker
2. Pressure wire connectors
3. A flange-mounted handle (FH0H4)
4. A circuit breaker operator mechanism
5. An operating cable (standard 36.00")

Schneider Square D®

When using a Class 9422 disconnect switch, order:

1. A disconnect switch with operating mechanism (Class 9422)
2. A handle mechanism (Class 9422 Type A-2 or A-1)

When using a circuit breaker, order:

1. A circuit breaker (Schneider Square D®)
2. An operating mechanism (Class 9422)
3. A handle mechanism (Class 9422 Type A-2 or A-1)

When using a Class 9422 Type "T" disconnect switch with a cable mechanism, order:

1. A disconnect switch with operating mechanism (Class 9422, Type T)
2. A handle mechanism (Class 9422 Type A-1)
3. A cable mechanism (Class 9422 CFT_O) 3-, 5-, or 10-foot

When using a circuit breaker with a cable mechanism, order:

1. A circuit breaker (Schneider Square D®)
2. A handle mechanism (Class 9422 Type A-1)
3. A cable mechanism (Class 9422 CFT_O) 3-, 5-, or 10-foot

ABN12, SDN12, SDN12PL, N412CD, N412CSTD, N412CSSSTD, SN4 & SSN4X SERIES ENCLOSURES DISCONNECT SPACE OCCUPIED & AVAILABLE WIRING SPACE INFORMATION

ALLEN-BRADLEY BULLETIN 1494V DISCONNECTS										
TYPE NUMBER	AMP RATING	FUSE CLIP	FUSE CLASS	SPACE OCCUPIED		WIRE BEND SPACE "WB" ABOVE DISCONNECT				
				F	G*	ABN12, SDN12, SDN12PL, N412CD, N412CSTD & N412CSSSTD (PAGES F2-F9)			SN4 & SSN4X WALL-MOUNTS (PAGES F10-F13)	
						WHEN D=8.00 WB	WHEN D=10.00 WB	WHEN D=12 OR 16 WB	WHEN D=8.00 WB	WHEN D=12.00 WB
DS30	30A	No fuse	—	3.88	6.62	2.78	5.15	9.66	6.66	9.66
DS30	30A	30A-250V	H, K, R	5.25	6.62	2.78	5.15	9.66	6.66	9.66
DS30	30A	30A-600V	H, K, R	8.00	6.62	2.78	5.15	9.66	6.66	9.66
DS30	30A	30A-600V	J	5.25	6.62	2.78	5.15	9.66	6.66	9.66
DS30	30A	60A-250V	H, K	6.00	6.62	2.78	5.15	9.66	6.66	9.66
DS30	30A	60A-600V	H, K	8.50	6.62	2.78	5.15	9.66	6.66	9.66
DS30	30A	60A-600V	J	5.38	6.62	2.78	5.15	9.66	6.66	9.66
DS60	60A	No fuse	—	3.88	6.62	2.01	4.35	8.89	5.89	8.89
DS60	60A	60A-250V	H, K, R	6.00	6.62	2.01	4.35	8.89	5.89	8.89
DS60	60A	60A-600V	H, K, R	8.50	6.62	2.01	4.35	8.89	5.89	8.89
DS60	60A	60A-600V	J	5.38	6.62	2.01	4.35	8.89	5.89	8.89
DS60	60A	30A-600V	H, K, R	8.00	6.62	2.01	4.35	8.89	5.89	8.89
DS60	60A	100A-250V	H, K	8.50	6.62	2.01	4.35	8.89	5.89	8.89
DS60	60A	100A-600V	H, K	10.50	6.62	2.01	4.35	8.89	5.89	8.89
DS60	60A	100A-600V	J	7.25	6.62	2.01	4.35	8.89	5.89	8.89
DS100	100A***	No fuse	—	3.88	6.62	—	4.17	8.67	5.70	8.70
DS100	100A***	100A-250V	H, K, R	8.12	6.62	—	4.17	8.67	5.70	8.70
DS100	100A***	100A-600V	H, K, R	10.12	6.62	—	4.17	8.67	5.70	8.70
DS100	100A***	100A-600V	J	6.88	6.62	—	4.17	8.67	5.70	8.70
DS100	100A***	60A-600V	H, K, R	10.12	6.62	—	4.17	8.67	5.70	8.70
DS100	100A***	60A-600V	J	8.88	6.62	—	4.17	8.67	5.70	8.70
DS200	200A***	No fuse	—	4.75	7.88	—	—	8.12	—	8.12
DS200	200A***	200A-250V	H, K, R	10.88	7.88	—	—	8.12	—	8.12
DS200	200A***	200A-600V	H, K, R	13.38	7.88	—	—	8.12	—	8.12
DS200	200A***	200A-600V	J	9.50	7.88	—	—	8.12	—	8.12
DS200	200A***	100A-600V	H, K, R	12.00	7.88	—	—	8.12	—	8.12
DS200	200A***	100A-600V	J	8.75	7.88	—	—	8.12	—	8.12
DS400	400A**	No fuse	—	10.75	10.88	—	—	—	—	—
DS400	400A**	400A-250V	H, K, R	16.12	10.88	—	—	—	—	—
DS400	400A**	400A-600V	H, K, R	19.12	10.88	—	—	—	—	—
DS400	400A**	400A-600V	J	14.62	10.88	—	—	—	—	—
DS600	600A	No fuse	—	10.75	10.88	—	—	—	—	—
DS600	600A****	600A-250V	H, R	10.75	10.88	—	—	—	—	—
DS600	600A****	600A-600V	H, R	10.75	10.88	—	—	—	—	—
DS600	600A	600A-600V	J	17.59	10.88	—	—	—	—	—

ALLEN-BRADLEY BULLETIN 1494V CIRCUIT BREAKERS										
M40	15A-150A	EHD, FD, FDB FDC, HFD, HMCP,	—	5.00	4.50	4.25	6.62	11.12	8.12	11.12
M50	70A-250A	Circuit Breakers JD, JDB, JDC, HJD, HMCP	—	9.75	4.75	—	—	10.62	—	10.62
M60	100A-400A	Circuit Breakers KD, KDB, KDC, HKD, HMCP	—	9.69	6.12	—	—	10.50	—	10.50

* Does not include space for optional auxiliary switch.

** The 400 amp disconnect switch and the 600 amp disconnect switch will only fit catalog number SDN12603812A (see page F4). Wire bend space of 12.13" is provided above disconnect when installed.

*** Series B

**** "F" and "G" do not include separately mounted fuse blocks.

**ABN12, SDN12, SDN12PL, N412CD, N412CSTD, N412CSSSTD, SN4 & SSN4X SERIES ENCLOSURES
DISCONNECT SPACE OCCUPIED & AVAILABLE WIRING SPACE INFORMATION**

ABB CONTROLS DISCONNECT SWITCHES WITH FLANGE-MOUNTED OPERATORS										
						K2FHD-MWIRE BEND SPACE "WB" ABOVE DISCONNECT				
						ABN12, SDN12, SDN12PL, N412CD, N412CSTD & N412CSSSTD (PAGES F2-F9)			SN4 & SSN4X WALL-MOUNTS (PAGES F10-F13)	
TYPE NUMBER	AMP RATING	FUSE CLIP	FUSE CLASS	SPACE OCCUPIED		WHEN D=8.00 WB	WHEN D=10.00 WB	WHEN D=12 OR 16 WB	WHEN D=8.00 WB	WHEN D=12.00 WB
				F	G					
OETL-NF30-F	40A	No fuse	—	4.45	3.78	6.41	8.75	13.28	10.28	13.28
OETL-NF60-F	80A	No fuse	—	4.86	3.78	6.22	8.56	13.09	10.09	13.09
OETL-NF100-F	100A	No fuse	—	4.86	4.78	5.66	8.00	12.53	9.53	12.53
OETL-NF175-F	175A	No fuse	—	7.30	6.49	—	5.75	10.28	7.28	10.28
OETL-NF200-F	200A	No fuse	—	7.36	7.28	—	5.75	10.28	7.28	10.28
OESA-F30J6-F	30A	30A-600V	J	4.28	6.58	4.73	7.07	11.61	8.61	11.61
OESA-F60J6-F	60A	60A-600V	J	4.28	6.26	4.73	7.07	11.61	8.61	11.61
OESA-F100J6-F	100A	100A-600V	J	6.54	7.65	4.30	6.64	11.17	8.17	11.17

ABB CONTROLS CIRCUIT BREAKERS WITH FLANGE-MOUNTED OPERATORS										
						WIRE BEND SPACE "WB" ABOVE DISCONNECT				
						ABN12, SDN12, SDN12PL, N412CD, N412CSTD & N412CSSSTD (PAGES F2-F9)			SN4 & SSN4X WALL-MOUNTS (PAGES F10-F13)	
MECHANISM	AMP RATING	SPACE OCCUPIED		WHEN D=8.00 WB	WHEN D=10.00 WB	WHEN D=12 OR 16 WB	WHEN D=8.00 WB	WHEN D=12.00 WB		
		F	G							
K2FHD-M	100A	6.92	3.94	3.39	5.73	10.26	7.26	10.26		
K3FHD-M	150A-225A	5.98	4.23	—	—	5.56	5.56	5.56		
K4FHD-M	250A	7.44	4.23	—	—	3.95	—	3.95		
K5FHD-M	400A	9.71	5.62	—	—	—	—	—		
K5FHD-M	600A/800A	8.28	11.26	—	—	—	—	—		
K5FHD-M	800A	10.11	11.26	—	—	—	—	—		

EATON CUTLER-HAMMER C361 CIRCUIT DISCONNECT SWITCHES											
						K2FHD-MWIRE BEND SPACE "WB" ABOVE DISCONNECT					
						ABN12, SDN12, SDN12PL, N412CD, N412CSTD & N412CSSSTD (PAGES F2-F9)			SN4 & SSN4X WALL-MOUNTS (PAGES F10-F13)		
SWITCH NUMBER	TYPE NUMBER	AMP RATING	FUSE CLIP	FUSE CLASS	SPACE OCCUPIED		WHEN D=8.00 WB	WHEN D=10.00 WB	WHEN D=12 OR 16 WB	WHEN D=8.00 WB	WHEN D=12.00 WB
					F	G					
C361	NC	30A	No fuse	—	5.75	7.43	3.44	5.75	10.31	7.31	10.31
C361	SC21	30A	30A-250V	H, K, R	8.38	7.43	3.44	5.75	10.31	7.31	10.31
C361	SC61	30A	60A-250V	H, K, R	8.38	7.43	3.44	5.75	10.31	7.31	10.31
C361	SC61	30A	30A-600V	H, J, K, R	8.38	7.43	3.44	5.75	10.31	7.31	10.31
C361	ND	60A	No fuse	—	5.75	7.43	3.44	5.75	10.31	7.31	10.31
C361	SD22	60A	60A-250V	H, K, R	8.38	7.43	3.44	5.75	10.31	7.31	10.31
C361	SD22	60A	30A-600V	J	8.38	7.43	3.44	5.75	10.31	7.31	10.31
C361	SD62	60A	60A-600V	H, K, R	8.38	7.43	3.44	5.75	10.31	7.31	10.31
C361	SD62	60A	60A-600V	J	8.38	7.43	3.44	5.75	10.31	7.31	10.31
C361	NE	100A	No fuse	—	5.56	8.95	3.00	5.38	9.91	7.47	9.91
C361	SE263	100A	100A-250V	H, K, R	10.31	8.95	3.00	5.38	9.91	7.47	9.91
C361	SE263	100A	100A-600V	H, K, R	10.31	8.95	3.00	5.38	9.91	7.47	9.91
C361	SE263	100A	100A-600V	J	10.31	8.95	3.00	5.38	9.91	7.47	9.91
C361	NF*	200A	No fuse	—	13.06	10.00	—	—	7.94	4.94	7.94
C361	SF264*	200A	200A-250V	H, K, R	13.06	10.00	—	—	7.94	4.94	7.94
C361	SF264*	200A	200A-600V	H, J, K, R	13.06	10.00	—	—	7.94	4.94	7.94

*200 amp switch should be installed in an enclosure with an "H" dimension of 30.00" (762mm) or more.

ABN12, SDN12, SDN12PL, N412CD, N412CSTD, N412CSSSTD, SN4 & SSN4X SERIES ENCLOSURES DISCONNECT SPACE OCCUPIED & AVAILABLE WIRING SPACE INFORMATION

EATON CUTLER-HAMMER C371 CIRCUIT BREAKER OPERATORS FOR C-H CIRCUIT BREAKERS									
TYPE NUMBER	MAX AMP RATING	FRAME TYPE	SPACE OCCUPIED		WIRE BEND SPACE "WB" ABOVE DISCONNECT				
					ABN12, SDN12, SDN12PL, N412CD, N412CSTD & N412CSSSTD (PAGES F2-F9)			SN4 & SSN4X WALL-MOUNTS (PAGES F10-F13)	
			F	G	WHEN D=8.00 WB	WHEN D=10.00 WB	WHEN D=12 OR 16 WB	WHEN D=8.00 WB	WHEN D=12.00 WB
C371E	225A	F Frame: EHD, FDB, FD, HFD, FDC	6.00	5.50	4.44	6.81	11.44	8.44	11.44
C371E	150A	F Frame: HMCP	6.00	5.50	4.44	6.81	11.44	8.44	11.44
C371F	250A	J Frame: JDB, JD, HJD, JDC	8.94	8.00	—	6.75	11.25	—	11.25
C371F	250A	J Frame: HMCP	10.94	8.00	—	6.75	11.25	—	11.25
C371F	400A	K Frame: DK, KDB, KD, HKD	9.75	8.00	—	—	10.75	—	10.75
C371F	400A	K Frame: HMCP	9.75	8.00	—	—	10.75	—	10.75
C371G	600A	L Frame: LD, HLD, LDC	8.44	11.88	—	—	9.18	—	9.18
C371G	600A	L Frame: HMCP	8.44	11.88	—	—	9.18	—	9.18

EATON CUTLER-HAMMER FLEX SHAFT™ OPERATOR MECHANISMS FOR C-H CIRCUIT BREAKERS				
COMPLETE OPERATOR MECHANISM	AMP RATING	FRAME TYPE	BREAKER HEIGHT	BREAKER WIDTH
F1S03	225A	F Frame: EHD, FDB, FD, HFD, FDC	6.00	4.12
F1S03	150A	F Frame: HMCP	6.00	4.12
F2S03	250A	J Frame: JDB, JD, HJD, JDC	10.00	4.12
F2S03	250A	J Frame: HMCP	10.00	4.12
F3S03	400A	K Frame: DK, KDB, KD, HKD	10.12	5.50
F3S03	400A	K Frame: HMCP	12.45	5.50
F4S04	600A	L Frame: LD, HLD, LDC	10.75	8.25
F4S04	600A	L Frame: HMCP	12.50	8.25
F7S04	800A	M Frame: MD, MDS	16.00	8.25
F5S04	1200A	N Frame: ND, HND, NDC	16.00	8.25
F6S04	2500A	R Frame: RD, CRD, RDC	16.00	15.50

Catalog numbers for complete mechanisms include a flange-mounted handle, flexible shaft and circuit breaker mechanism. The last digit of the catalog number denotes the length of shaft (F1S03 = 3-foot shaft). The F, J, K frame Flex Shafts™ are available in 3-foot to 10-foot lengths. The L, N, R frame Flex Shafts are available in 4-foot to 6-foot lengths.

Space Occupied by Disconnect

- The Flex Shaft™ system allows the circuit breaker to be positioned independent from the flange-mounted handle mechanism.
- Refer to National Electrical Code® article 430-10(b) for wiring space "WB" required for line side conductors.
- Choose the length of shaft based on placement of the circuit breaker in the enclosure ensuring a 4-inch min. bending radius for the Flex Shaft™.
- Space occupied by circuit breaker is determined by overall height "X", width "Y", wire bend space "WB" and location "G" as selected from right to left.

ABN12, SDN12, SDN12PL, N412CD, N412CSTD, N412CSSSTD, SN4 & SSN4X SERIES ENCLOSURES DISCONNECT SPACE OCCUPIED & AVAILABLE WIRING SPACE INFORMATION

GENERAL ELECTRIC TYPE STDA OPERATORS FOR DISCONNECTS										
OPERATORS FOR DISCONNECTS					WIRE BEND SPACE "WB" ABOVE DISCONNECT					
					ABN12, SDN12, SDN12PL, N412CD, N412CSTD, N412CSSSTD & SN4 (PAGES F2-F9)			SN4 & SSN4X WALL-MOUNTS (PAGES F10-F13)		
MECHANISM	AMP RATING	FUSE CLIP	FUSE CLASS	SPACE OCCUPIED		WHEN D=8.00 WB	WHEN D=10.00 WB	WHEN D=12 OR 16 WB	WHEN D=8.00 WB	WHEN D=12.00 WB
				F	G					
TDOM1A	30A	No fuse	—	7.75**	5.25	6.18*	7.62	12.12	9.12	12.12
TDOM1A	30A	30A-250V	H, R	7.75**	5.25	6.18*	7.62	12.12	9.12	12.12
TDOM1B	30A	30A-600V	H, R	12.38**	5.25	6.18*	7.62	12.12	9.12	12.12
TDOM1B	30A	60A-250V	H, R	12.38**	5.25	6.18*	7.62	12.12	9.12	12.12
TDOM1B	30A	60A-600V	H, R	12.38**	5.25	6.18*	7.62	12.12	9.12	12.12
TDOM1A	60A	No fuse	—	7.75**	5.25	6.18*	7.62	12.12	9.12	12.12
TDOM1B	60A	60A-250V	H, R	12.38**	5.25	6.18*	7.62	12.12	9.12	12.12
TDOM1B	60A	60A-600V	H, R	12.38**	5.25	6.18*	7.62	12.12	9.12	12.12
TDOM1B	60A	100A-250V	H, R	12.38**	5.25	6.18*	7.62	12.12	9.12	12.12
TDOM1B	60A	100A-600V	H, R	12.38**	5.25	6.18*	7.62	12.12	9.12	12.12
TDOM1A	100A	No fuse	—	7.75**	5.25	6.18*	7.62	12.12	9.12	12.12
TDOM1B	100A	100A-250V	H, R	12.38**	5.25	6.18*	7.62	12.12	9.12	12.12
TDOM1B	100A	100A-600V	H, R	12.38**	5.25	6.18*	7.62	12.12	9.12	12.12
TDOM1B	100A	200A-250V	H, R	12.38**	5.25	6.18*	7.62	12.12	9.12	12.12
TDOM1B	100A	200A-600V	H, R	12.38**	5.25	6.18*	7.62	12.12	9.12	12.12
TDOM2	200A	No fuse	—	7.00	9.12	—	—	9.50	6.50	9.50
TDOM2	200A	200A-250V	H, R	15.38	9.12	—	—	9.50	6.50	9.50
TDOM2	200A	200A-600V	H, R	15.38	9.12	—	—	9.50	6.50	9.50

* Disconnect moved down .88" to fit on panel.

**Dimension applies to 8.00" (203mm) deep enclosures and is .88" less in deeper enclosures.

GENERAL ELECTRIC TYPE STDA OPERATORS FOR CIRCUIT BREAKERS										
OPERATORS FOR CIRCUIT BREAKERS					WIRE BEND SPACE "WB" ABOVE DISCONNECT					
					ABN12, SDN12, SDN12PL, N412CD, N412CSTD, N412CSSSTD & SN4 (PAGES F2-F9)			SN4 & SSN4X WALL-MOUNTS (PAGES F10-F13)		
MECHANISM	AMP RATING	FRAME TYPE	SPACE OCCUPIED		WHEN D=8.00 WB	WHEN D=10.00 WB	WHEN D=12 OR 16 WB	WHEN D=8.00 WB	WHEN D=12.00 WB	
			F	G						
SDOM1A	150A	TEB, TED, THED	7.75**	5.25	6.06*	7.50	12.06	9.06	12.06	
SDOM1A	150A	TEC	7.75**	5.25	6.06*	7.50	12.06	9.06	12.06	
TDOM1B	150A	TB1	12.38**	5.25	6.06*	7.50	12.06	9.06	12.06	
TDOM1B	150A	TEC, TECL	12.38**	5.25	6.06*	7.50	12.06	9.06	12.06	
TDOM1C	150A	TEL	7.75**	5.25	6.06*	7.50	12.06	9.06	12.06	
TDOM1D	150A	THLC1	7.75**	5.25	—	5.12	9.62	6.62	9.62	
TDOM3	225A	TFJ	10.38	5.75	—	6.06	10.62	7.62	10.62	
TDOM3	225A	TFK, THFK, TFL	10.38	5.75	—	6.06	10.62	7.62	10.62	
TDOM4	400A	TJJ, TJK4, THJK4, TJJ4V	8.25	9.38	—	5.12	9.69	6.69	9.69	
TDOM4	600A	TJK6, THJK6, TJ4V, TJJ4V	8.25	9.38	—	5.12	9.69	6.69	9.69	
TDOM5	400A	TB4, TJH6S	14.25	9.38	—	5.12	9.69	6.69	9.69	
TDOM6	225A	TLB2, THLC2	11.75	9.38	—	—	9.12	6.12	9.12	
TDOM6	400A	TLB4, THLC4	11.75	9.38	—	—	7.75	4.75	7.75	
SDOM1A	150A	SPECTRA SE150	7.75**	5.25	6.06*	7.50	12.06	9.06	12.06	
SDOM3	250A	SPECTR SF250	10.38	5.75	—	6.06	10.62	7.06	10.06	
SDOM4	600A	SPECTRA SG600	10.00	7.00	—	—	7.93	—	7.93	

* Disconnect moved down .88" to fit on panel.

**Dimension applies to 8.00" (203mm) deep enclosures and is .88" less in deeper enclosures.

ABN12, SDN12, SDN12PL, N412CD, N412CSTD, N412CSSSTD, SN4 & SSN4X SERIES ENCLOSURES DISCONNECT SPACE OCCUPIED & AVAILABLE WIRING SPACE INFORMATION

GENERAL ELECTRIC CIRCUIT BREAKERS WITH SPECTRA FLEX™ CABLE OPERATORS					
FRAME SIZE	MAXIMUM AMP RATING	CIRCUIT BREAKER HEIGHT X	CIRCUIT BREAKER WIDTH Y	ABN12, SDN12, SDN12PL, N412CD, N412CSTD, N412CSSSTD, SN4 & SSN4X	SN4 & SSN4X WALL-MOUNTS
E150	150A	6.31	4.12	For enclosures that accept these devices, see pages F2-F9.	For enclosures that accept these devices, see pages F10-F13.
SE150	150A	6.31	4.12		
SF250	250A	10.12	4.12		
SG600	600A	10.09	5.50		
SK1200	1200A	15.50	8.25		

FRAME SIZE	BREAKER MECHANISM	FLANGE-MOUNTING HANDLE**	OPERATING CABLE*
E150	SCOM1A	SCH1	SC3L
SE150/SF250	SCOM1EF	SCH1	SC3L
SG600	SCOM1G	SCH1	SC3L
SK1200	SCOM1K	SCH2K	SC3H

* Operating cables are available in 3-foot to 10-foot lengths. (The number 3 in the catalog number denotes 3-foot cable.)

**Add "X" for NEMA 4 or 4X flange-mounted handle.

Space Occupied by Circuit Breaker

- The General Electric Spectra-Flex™ system allows the circuit breaker to be positioned independent from the flange-mounted handle mechanism.
- Refer to *National Electrical Code* article 430-10(b) for wiring space "WB" required for line side conductors.
- Choose the operating cable length based on placement of the circuit breaker in the enclosure ensuring a 3" minimum bending radius for the cable.
- Space occupied by circuit breaker is determined by overall circuit breaker size ("X" height and "Y" width) plus "WB" wire bend space and location "G" as selected from right to left.

I-T-E DISCONNECT SWITCHES FOR MAX-FLEX™ OPERATORS							
SWITCH	AMP RATING	FUSE CLIP	FUSE CLASS	DISCONNECT HEIGHT X	DISCONNECT WIDTH Y	ABN12, SDN12, SDN12PL, N412CD, N412CSTD, N412CSSSTD, SN4 & SSN4X	SN4 & SSN4X WALL-MOUNTS
MCS603R	30A	No fuse	—	5.52	6.13	For enclosures that accept these devices, see pages F2-F9.	For enclosures that accept these devices, see pages F10-F13.
MCS603R	30A	30A-250V	H, K, R	8.11	6.13		
MCS603R	30A	30A-600V	H, K, R	10.11	6.13		
MCS603R	30A	30A-600V	J	8.48	6.13		
MCS606R	60A	No fuse	—	5.52	6.13		
MCS606R	60A	60A-250V	H, K, R	7.86	6.13		
MCS606R	60A	60A-600V	H, K, R	10.38	6.13		
MCS606R	60A	60A-600V	J	8.36	6.13		
MCS610R	100A	No fuse	—	7.59	7.38		
MCS610R	100A	100A-250V	H, K, R	11.85	7.38		
MCS610R	100A	100A-600V	H, K, R	13.85	7.38		
MCS610R	100A	100A-600V	J	10.60	7.38		
MCS620R	200A	No fuse	—	9.02	9.17		
MCS620R	200A	200A-250V	H, K, R	14.70	9.17		
MCS620R	200A	200A-600V	H, K, R	17.20	9.17		
MCS620R	200A	200A-600V	J	13.32	9.17		

ABN12, SDN12, SDN12PL, N412CD, N412CSTD, N412CSSSTD, SN4 & SSN4X SERIES ENCLOSURES DISCONNECT SPACE OCCUPIED & AVAILABLE WIRING SPACE INFORMATION

SIEMENS ITE CIRCUIT BREAKERS FOR MAX-FLEX™ OPERATORS					
COMPLETE OPERATOR MECHANISM	CIRCUIT BREAKER FRAME	MAXIMUM AMP RATING	CIRCUIT BREAKER HEIGHT X	CIRCUIT BREAKER WIDTH Y	CIRCUIT BREAKER TYPE
FHOE036	ED	125A	6.34	3.00	ED2, ED4, ED6, HED4, HED6
FHOE036	CED	125A	9.58	3.00	CED6
FHOF036	FD	250A	9.50	4.50	FXD6-A, FD6-A, HFD6, FXD6-ETJ, HHFD6, HHFXD6
FHOJ036	CFD	250A	14.25	4.50	CFD6, CFD6-ETI
FHOJ036	JD	400A	11.00	7.50	JXD2, JXD6, JD6, HJD6, HHJD6, HHJXD6, JXD6-ETI
FHOJ036	CJD	400A	17.86	7.50	CJD6, CJD6-ETI
FHOJ036	LD	600A	11.00	7.50	LXD6, LD6, HLD6, HHLD6, HHLXD6, LXD6-ETI
FHOJ036	CLD	600A	17.86	7.50	CLD6, CLD6-ETI
FHOLM036	LMD	800A	16.00	9.00	LMD6, LMXD6, HLMD6, HLMXD6, LMXD6-ETI
FHON048*	MD	800A	24.00	9.00	MD2, MXD6, HMD6, HMXD6, CMD6, MXD6-ETI, CMD6-ETI
FHON048*	ND	1200A	24.00	9.00	ND6, NXD6, HND6, HNXD6, CND6

Mechanisms and circuit breakers listed above will fit any disconnect wall-mounts on pages F10-F13, or SN4 wall-mounts on pages F2-F9 except as noted. The last 3 digits of operator mechanism number indicates cable length in inches. Also 48" cables are available for ED, FD, JD/LD operators, and 60" cables for MD/ND, PD/RD operators.

For Type 4 applications order handle, cable and circuit breaker separately. *This operator mechanism can only be installed in catalog number SDN12603812A (see page F3) which has the appropriate flange cutout.

Space Occupied by Disconnect

- The Siemens ITE Max-Flex™ cable system allows the disconnect to be positioned independent from the flange-mounted handle mechanism.
- Refer to National Electrical Code® article 430-10(b) for wiring space "WB" required for line side conductors.
- Refer to Siemens ITE Max-Flex™ installation instructions for limits on disconnect location when 36-inch or 48-inch Max-Flex™ cables.
- Space occupied by disconnect is determined by overall height "X", width "Y", wire bend space "WB" and location "G" as selected from right to left.

SCHNEIDER SQUARE D® CLASS 9422 DISCONNECT SWITCHES USED WITH CABLE MECHANISM 9422-CFT30 & 9422A-1 HANDLE MECHANISM							
SWITCH	AMP RATING	FUSE CLIP	FUSE CLASS	DISCONNECT HEIGHT X	DISCONNECT WIDTH Y	ABN12, SDN12, SDN12PL, N412CD, N412CSTD, N412CSSSTD, SN4 & SSN4X	SN4 & SSN4X WALL-MOUNTS
TCN-30C	30A	No fuse	—	5.90	6.20	For enclosures that accept these devices, see pages F2-F9.	For enclosures that accept these devices, see pages F10-F13.
TCF-30C	30A	30A-250V	H, K, R	7.50	6.20		
TCF-33C	30A	30A-600V	H, K, R	10.15	6.20		
TCF-33C	30A	60A-250V	H, K, R	8.15	6.20		
TCF-33C	30A	30A-600V	J	7.50	6.20		
TDN-60C	60A	No fuse	—	5.90	6.20		
TDF-60C	60A	30A-600V	H, K, R	10.15	6.20		
TDF-60C	60A	60A-250V	H, K, R	8.15	6.20		
TDF-63C	60A	60A-600V	H, K, R	10.65	6.20		
TDF-63C	60A	60A-600V	J	7.50	6.20		
TEN-10C	100A	No fuse	—	5.90	6.20		
TEF-10C	100A	100A-250V	H, K, R	10.35	6.20		
TEF-10C	100A	100A-600V	H, K, R	10.35	6.20		
TEF-10C	100A	100A-600V	J	10.35	6.20		

Use switches listed above with appropriate cable mechanism and 9422-A1 handle mechanism.

SCHNEIDER SQUARE D® CLASS 9422 CABLE MECHANISM FOR CIRCUIT BREAKERS						
CABLE TYPE SWITCH	AMP RATING	FRAME TYPE	CIRCUIT BREAKER HEIGHT X	CIRCUIT BREAKER WIDTH Y	ABN12, SDN12, SDN12PL, N412CD, N412CSTD, N412CSSSTD, SN4 & SSN4X	SN4 & SSN4X WALL-MOUNTS
9422 CGJ30	75A	GJL	4.75	3.50	For enclosures that accept these devices, see pages F2-F9.	For enclosures that accept these devices, see pages F10-F13.
9422 CGJ300	100A	GJL	4.75	3.50		
9422 CGJ30	100A	FAL, FHL	6.00	4.50		
9422 CGJ30	250A	KAL, KHL	8.00	4.50		
9422 CGJ30	400A	LAL, LHL, Q4L	11.00	6.00		

Use cable mechanism with appropriate circuit breaker and 9422-A1 handle mechanism. Cable operators are available in 3-foot, 5-foot, and 10-foot lengths. Numbers shown (30) are for 3-foot cables.

Space Occupied by Disconnect Switch or Circuit Breaker

- Schneider Square D® cable mechanisms allows disconnect devices to be positioned independent from the flange-mounted handle mechanism.
- Refer to National Electrical Code® article 430-10(b) for wiring space "WB" required for line side conductors.

- Choose cable mechanism length based on placement of disconnect in enclosure. See Schneider Square D® Instruction Bulletin for minimum bend radius for cable.
- Space occupied by disconnect is determined by overall height "X", width "Y", wire bend space "WB" and location "G" as selected from right to left.

ABN12, SDN12, SDN12PL, N412CD, N412CSTD, N412CSSSTD, SN4 & SSN4X SERIES ENCLOSURES DISCONNECT SPACE OCCUPIED & AVAILABLE WIRING SPACE INFORMATION

SCHNEIDER SQUARE D® CLASS 9422 VARIABLE DEPTH DISCONNECTS										
						WIRE BEND SPACE "WB" ABOVE DISCONNECT				
						ABN12, SDN12, SDN12PL, N412CD, N412CSTD, N412CSSSTD & SN4 (PAGES F2-F9)			SN4 & SSN4X WALL-MOUNTS (PAGES F10-F13)	
MECHANISM	AMP RATING	FUSE CLIP	FUSE CLASS	SPACE OCCUPIED		WHEN D=8.00 WB	WHEN D=10.00 WB	WHEN D=12 OR 16 WB	WHEN D=8.00 WB	WHEN D=12.00 WB
				F	G					
TCN-30	30A	No fuse	—	3.80	6.84	3.69	6.03	10.56	7.56	10.56
TCF-30	30A	30A-250V	H, K, R	5.53	6.84	3.69	6.03	10.56	7.56	10.56
TCF-33	30A	30A-600V	H, K, R	8.15	6.84	3.69	6.03	10.56	7.56	10.56
TCF-33	30A	60A-250V	H, K, R	6.15	6.84	3.69	6.03	10.56	7.56	10.56
TCF-33	30A	30A-600V	J	5.53	6.84	3.69	6.03	10.56	7.56	10.56
TDN-60	60A	No fuse	—	3.80	6.84	3.69	6.03	10.56	7.56	10.56
TDF-60	60A	30A-600V	H, K, R	8.15	6.84	3.69	6.03	10.56	7.56	10.56
TDF-60	60A	60A-250V	H, K, R	6.15	6.84	3.69	6.03	10.56	7.56	10.56
TDF-63	60A	60A-600V	H, K, R	8.65	6.84	3.69	6.03	10.56	7.56	10.56
TDF-63	60A	60A-600V	J	5.53	6.84	3.69	6.03	10.56	7.56	10.56
TEN-10	100A	No fuse	—	3.80	6.84	—	5.91	10.44	7.44	10.44
TEF-10	100A	100A-250V	H, K, R	8.25	6.84	—	5.91	10.44	7.44	10.44
TEF-10	100A	100A-600V	H, K, R	10.25	6.84	—	5.91	10.44	7.44	10.44
TEF-10	100A	100A-600V	J	7.05	6.84	—	5.91	10.44	7.44	10.44
TC-1	30A	No fuse	—	5.75	6.00	3.12	5.12	9.62	6.62	9.62
TC-2	30A	30A-250V	H, K, R	5.75	6.00	3.12	5.12	9.62	6.62	9.62
TC-3	30A	30A-600V	H, K, R	7.75	6.00	3.12	5.12	9.62	6.62	9.62
TC-3	30A	60A-250V	H, K, R	5.88	6.00	3.12	5.12	9.62	6.62	9.62
TC-3	30A	30A-600V	J	5.75	6.00	3.12	5.12	9.62	6.62	9.62
TD-1	60A	No fuse	—	6.38	6.62	3.62	6.00	10.50	7.50	10.50
TD-2	60A	30A-600V	H, K, R	8.50	6.62	3.62	6.00	10.50	7.50	10.50
TD-2	60A	60A-250V	H, K, R	6.50	6.62	3.62	6.00	10.50	7.50	10.50
TD-3	60A	60A-600V	H, K, R	9.00	6.62	3.62	6.00	10.50	7.50	10.50
TD-3	60A	60A-600V	J	6.38	6.62	3.62	6.00	10.50	7.50	10.50
TE-1	100A	No fuse	—	4.75	8.38	—	5.75	10.25	—	10.25
TE-2	100A	100A-250V	H, K, R	7.50	8.38	—	5.75	10.25	—	10.25
TE-2	100A	100A-600V	H, K, R	9.50	8.38	—	5.75	10.25	—	10.25
TE-2	100A	100A-600V	J	6.25	8.38	—	5.75	10.25	—	10.25
TE-3	100A	200A-600V	J	13.75	8.38	—	5.75	10.25	—	10.25
TF-1	200A	No fuse	—	5.50	11.62	—	—	8.88	—	8.88
TF-2	200A	200A-250V	H, K, R	11.50	11.62	—	—	8.88	—	8.88
TF-2	200A	200A-600V	H, K, R	14.00	11.62	—	—	8.88	—	8.88
TF-2	200A	200A-600V	J	10.12	11.62	—	—	8.88	—	8.88
TF-3	200A	400A-600V	J	14.50	11.62	—	—	8.88	—	8.88
SCHNEIDER SQUARE D® CLASS 9422 VARIABLE DEPTH										
RG-1	75A	GJL	Circuit breaker	3.53	3.74	3.59	5.93	10.47	7.47	10.47
RG-1	100A	GJL	Circuit breaker	3.53	3.74	3.59	5.93	10.47	7.47	10.47
RN-1	100A	FAL, FHL	Circuit breaker	5.12	5.25	3.75	6.12	10.62	7.62	10.62
RP-1	250A	KAL, KHL	Circuit breaker	7.12	5.62	4.25*	6.88	11.38	8.38	11.38
RR-1	400A	LAL,LHL,Q4L	Circuit breaker	7.62	8.75	—	—	7.00	—	7.00

*Not recommended except with #1 or smaller line conductors.



ABN12242108

Industry Standards
UL 508, Types 12 & 13
CSA Certified, Type 12
NEMA/EEMAC Types 12 & 13

 UL File E64791

 CSA File LL66078

FEATURES-SPECIFICATIONS

Applications

Designed to house Allen-Bradley 1494F flange-mounted disconnect switches and Bulletin 1494D flange-mounted operators for circuit breakers. Provides protection from dust, dirt, oil and water.

Construction

- Bodies and doors fabricated from 14 gauge steel
- Plasma welded seams
- Rolled lip around all sides of enclosure opening excludes liquids and contaminants
- Doors easily removed by pulling continuous hinge pin
- Polyurethane poured-in-place gasket
- External mounting feet
- Collar studs for mounting optional back panel
- Grounding provisions provided
- Holes are provided in body and door for mounting disconnect switch, operating mechanism and door hardware.

- Guide brackets and door catch are welded to inside of door
- Locking bars are also provided for door hardware
- Spacers and screws are provided to secure disconnect switch and fuse block adapter plate to the panel
- Print pocket is provided
- Enclosures under 40" high require 2-point door hardware
- Enclosures 40" high and larger require 3-point door hardware
- Instructions to locate and install disconnect switches, circuit breakers, and operating mechanisms is provided

Finish

- ANSI 61 gray polyester powder inside and out over phosphatized surfaces
- **Optional** back panels are white polyester powder over phosphatized surfaces
- **Optional** "G" panels have a conductive finish

Accessories

- Back panels (reference tables)
- Blank Adapter Plates are on page F61

IMPORTANT

- Disconnect switch or circuit breakers, operating handle, operating mechanism, and door hardware are not furnished with enclosure and must be ordered separately from the disconnect manufacturer
- Operator adapter plates are not required with this enclosure
- Disconnect and door hardware ordering information is located on page F25
- Review space occupied by disconnect drawing on page F25 and disconnect tables on page F26 to determine if the disconnect device you are using will fit the enclosure size you have selected

ABN12 FIXED DEPTH SERIES WALL-MOUNT DISCONNECTS					
CATALOG NUMBER	BODY/DOOR STEEL GAUGE	ENCLOSURE SIZE H X W X D	BACK PANEL CATALOG NUMBER*		BACK PANEL SIZE A X B
			WHITE	"G"	
ABN12242108	14/14	24.00x21.38x8.13 (610x543x206)	NP2420	NP2420	21.00x17.00 (533x432)
ABN12242508	14/14	24.00x25.38x8.13 (610x645x206)	NP2424	NP2424	21.00x21.00 (533x533)
ABN12302108	14/14	30.00x21.38x8.13 (762x543x206)	NP3020	NP3020	27.00x17.00 (686x432)
ABN12302508	14/14	30.00x25.38x8.13 (762x645x206)	NP3024	NP3024	27.00x21.00 (686x533)
ABN12362508	14/14	36.00x25.38x8.13 (914x645x206)	NP3624	NP3624	33.00x21.00 (838x533)
ABN12363108	14/14	36.00x31.38x8.13 (914x797x206)	NP3630	NP3630	33.00x27.00 (838x686)
ABN12423108	14/14	42.00x31.38x8.13 (1067x797x206)	NP4230	NP4230	39.00x27.00 (991x686)
ABN12242110	14/14	24.00x21.38x10.13 (610x543x257)	NP2420	NP2420	21.00x17.00 (533x432)
ABN12242510	14/14	24.00x25.38x10.13 (610x645x257)	NP2424	NP2424	33.00x21.00 (838x533)
ABN12302110	14/14	30.00x21.38x10.13 (762x543x257)	NP3020	NP3020	27.00x17.00 (686x432)
ABN12302510	14/14	30.00x25.38x10.13 (762x645x257)	NP3024	NP3024	27.00x21.00 (686x533)

*Back panels must be ordered separately.

ABN12 FIXED DEPTH SERIES ENCLOSURES NEMA 12 FLANGED SINGLE DOOR DISCONNECT

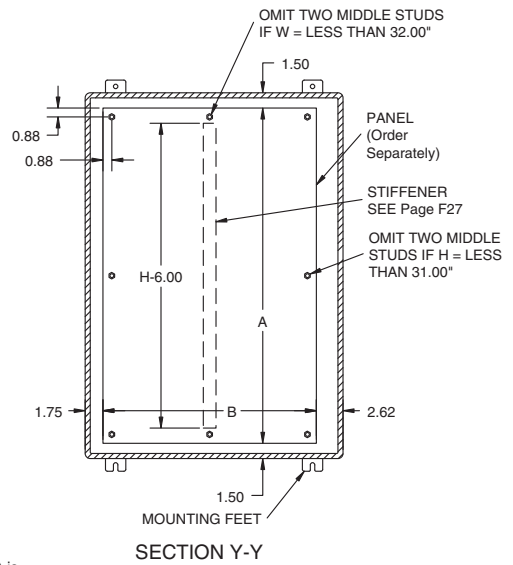
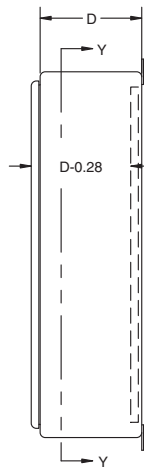
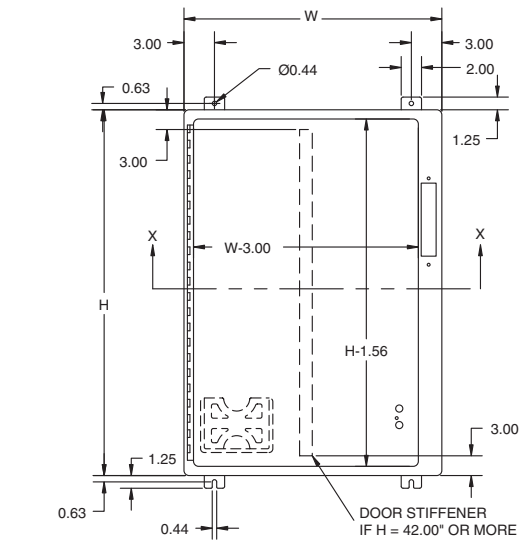
ABN12 FIXED DEPTH SERIES WALL-MOUNT DISCONNECTS (CONT.)

CATALOG NUMBER	BODY/DOOR STEEL GAUGE	ENCLOSURE SIZE H X W X D	BACK PANEL CATALOG NUMBER*		BACK PANEL SIZE A X B
			WHITE	"G"	
ABN12362510	14/14	36.00x25.38x10.13 (914x645x257)	NP3624	NP3624G	33.00x21.00 (838x533)
ABN12363110	14/14	36.00x31.38x10.13 (914x797x257)	NP3630	NP3630G	33.00x27.00 (838x686)
ABN12423110	14/14	42.00x31.38x10.13 (1067x797x257)	NP4230	NP4230G	39.00x27.00 (991x686)
ABN12483710**	14/14	48.00x37.38x10.13 (1219x949x257)	NP4836	NP4836G	45.00x33.00 (1143x838)
ABN12603710**	14/14	60.00x37.38x10.13 (1524x949x257)	NP6036	NP6036G	57.00x33.00 (1448x838)
ABN12363212	14/14	36.00x32.38x12.13 (914x822x308)	NP3630	NP3630G	33.00x30.00 (838x762)
ABN12423212	14/14	42.00x32.38x12.13 (1067x822x308)	NP4230	NP4230G	45.00x30.00 (1143x762)
ABN12483812**	14/14	48.00x38.38x12.13 (1219x975x308)	NP4836	NP4836G	45.00x34.00 (1143x864)
ABN12483812A***	14/14	48.00x38.38x12.13 (1219x975x308)	NP4836	NP4836G	45.00x34.00 (1143x864)
ABN12603812	14/14	60.00x38.38x12.13 (1524x975x308)	NP6036	NP6036G	57.00x34.00 (1448x864)
ABN12603812A***	14/14	60.00x38.38x12.13 (1524x975x308)	NP6036	NP6036G	57.00x34.00 (1448x864)
ABN12483816	14/14	48.00x38.38x16.13 (1219x975x410)	NP4836	NP4836G	45.00x33.00 (1143x838)
ABN12603816	14/14	60.00x38.38x16.13 (1524x975x410)	NP6036	NP6036G	57.00x33.00 (1448x838)

*Back panels must be ordered separately.

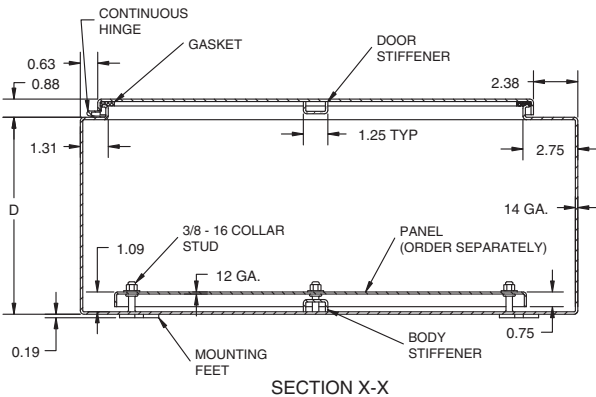
**Enclosures are supplied with closed cell neoprene gasket (not foam-in-place)

***Suitable for 200 AMP disconnect Switches and 1494FL4 door hardware only. Blank adapter plate WA22BAP will not fit on these enclosures.



Notes:

1. Large print pocket (8" x 10") is provided in each enclosure.
2. Panels are made from 12 Ga. steel.
3. Panels have flanges along all sides when either dimension exceeds 17".
4. Enclosures under 40" high require 2-point door hardware and enclosures 40" high and larger require 3-point door hardware.
5. See page F27 for Stiffener Locations.



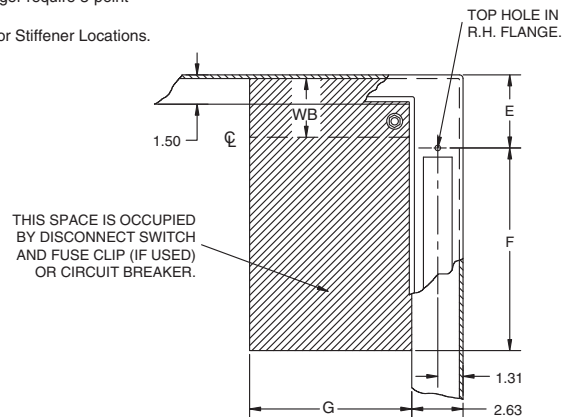
Note:

E = 3.84 when Depth = 8.00
E = 6.75 when Depth = 10.00
E = 9.50 when Depth = 12.00
(Except enclosures for 200 amp switches)

E = 9.50 when Depth = 16.00
E = 10.50 when Depth = 12.00
(Except enclosures for 200 amp switches)
WB = Wiring Space

Disconnects will occupy space on panel shown by Dimensions "E", "F", & "G". Wiring space "WB" is available when disconnect is installed in the enclosure.

Refer to National Electrical Code article 430-10(b) for wiring space required for line side conductors to be connected to disconnect. Verify your application to determine if wiring space is adequate.



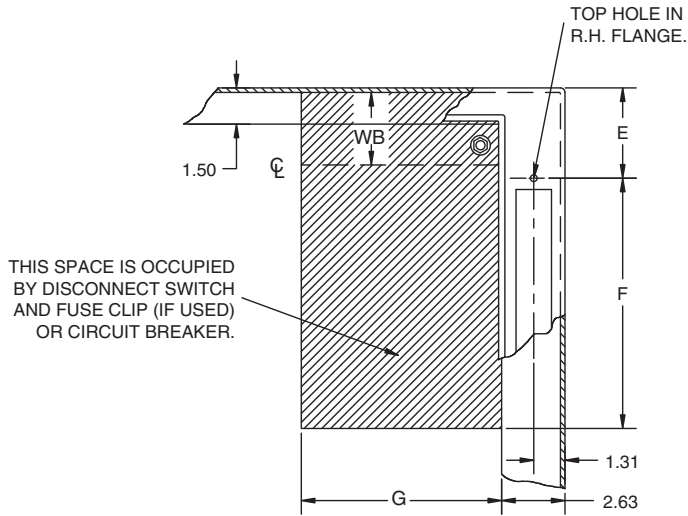
Space Occupied by Disconnect

- E = 3.84 when Depth = 8.00
- E = 6.75 when Depth = 10.00
- E = 9.50 when Depth = 12.00
(Except enclosures for 200 amp switches)
- E = 9.50 when Depth = 16.00
- E = 10.50 when Depth = 12.00
(Except enclosures for 200 amp switches)
- WB = Wiring Space

See page F26 for various brands of disconnects for "F", "G" & "WB" dimensions.

Disconnects will occupy space on panel shown by dimensions "E", "F" & "G". Wiring space "WB" is available when disconnect is installed in the enclosure.

Refer to *National Electrical Code* article 430-10(b) for wiring space required for line side conductors to be connected to disconnect. Verify your application to determine if wiring space is adequate.



DISCONNECT ORDERING INFORMATION

When ordering wall-mounted disconnects from the following manufacturer, be sure to order all of the necessary items. Order the following items from the disconnect manufacturer.

Allen-Bradley

When using a Bulletin 1494F disconnect switch, order:

- * 1. A disconnect switch (30A, 60A, or 100A)
- 2. A fuse block adapter, if required
- 2. Line and load connectors, if required
- **4. Door hardware (Bulletin 1494F-L1 for 2-point latching, or Bulletin 1494F-L2 and 1494F-L3 for 3-point latching)

When using a Bulletin 1494D circuit breaker operating mechanism, order:

- 1. A circuit breaker (C-H)
- 2. An operating mechanism
- 3. A slide mechanism
- **4. Door hardware Bulletin 1494F-L1 for 2-point latching, or Bulletin 1494F-L2 and 1494F-L3 for 3-point latching)

PLEASE NOTE:

1. Operator adapter plates are not required with enclosures on page F61.
2. Various other switch accessories and circuit breaker accessories are available from disconnect manufacturers. The above information is subject to change without notice. Please contact Hubbell/Wiegmann or the disconnect manufacturer if there are further questions.
3. The "Space Occupied" tables (page F26) are based upon information supplied by the disconnect manufacturer. Hubbell/Wiegmann does not assume responsibility for the accuracy of these dimensions.

* Items available from disconnect manufacturer as complete kits.

**Enclosure "H" dimension less than 40" (1016mm) requires a 2-point door hardware (one Allen-Bradley catalog number 1494F-L1). Enclosures with an "H" dimension of 40.00-inches or more require a 3-point door hardware (one Allen-Bradley catalog number 1494F-L2 and one catalog number 1494F-L3).

**ABN12/1494F & 1494D SERIES ENCLOSURES
DISCONNECT SPACE OCCUPIED & AVAILABLE WIRING SPACE INFORMATION**

ALLEN-BRADLEY 1494F DISCONNECT SWITCHES										WIRE BEND SPACE "WB" ABOVE DISCONNECT		
										ABN12/1494F (PAGES F20-22)		
FITS ENCLOSURE DEPTH				TYPE NUMBER	AMP RATING	FUSE CLIP	FUSE CLASS	SPACE OCCUPIED		WHEN E=3.84 WB	WHEN E=6.75 WB	WHEN E=9.50 WB
8.00 (203)	10.00 (254)	12.00 (305)	16.00 (406)					F	G**			
•	•	•	•	N30	30A	No fuse	—	4.62	6.25	3.25	6.25	8.88
•	•	•	•	NF30	30A	30A-250V	H, K, R	6.25	6.25	3.25	6.25	8.88
•	•	•	•	NF30	30A	60A-250V	H, K, R	7.25	6.25	3.25	6.25	8.88
•	•	•	•	NF30	30A	30A-600V	H, K, R	9.25	6.25	3.25	6.25	8.88
•	•	•	•	NF30	30A	60A-600V	H, K, R	9.75	6.25	3.25	6.25	8.88
•	•	•	•	NF30	30A	30A-600V	J	6.50	6.25	3.25	6.25	8.88
•	•	•	•	NF30	30A	60A-600V	J	6.62	6.25	3.25	6.25	8.88
•	•	•	•	N60	60A	No fuse	—	4.62	6.25	2.50	5.25	8.12
•	•	•	•	NF60	60A	30A-600V	H, K, R	10.38	6.25	2.50	5.25	8.12
•	•	•	•	NF60	60A	60A-250V	H, K, R	8.38	6.25	2.50	5.25	8.12
•	•	•	•	NF60	60A	100A-250V	H, K, R	10.88	6.25	2.50	5.25	8.12
•	•	•	•	NF60	60A	60A-600V	H, K, R	10.88	6.25	2.50	5.25	8.12
•	•	•	•	NF60	60A	100A-600V	H, K, R	12.88	6.38	2.50	5.25	8.12
•	•	•	•	NF60	60A	60A-600V	J	7.75	6.25	2.50	5.25	8.12
•	•	•	•	NF60	60A	100A-600V	J	9.75	6.25	2.50	5.25	8.12
—	•	•	•	N100	100A	No fuse	—	4.62	7.00	—	3.50	6.25
—	•	•	•	NF100	100A	100A-250V	H, K, R	11.38	7.00	—	3.50	6.25
—	•	•	•	NF100	100A	200A-250V	H, K, R	12.25	7.25	—	3.50	6.25
—	•	•	•	NF100	100A	100A-600V	H, K, R	13.38	7.12	—	3.50	6.25
—	•	•	•	NF100	100A	200A-600V	H, K, R	14.75	7.38	—	3.50	6.25
—	•	•	•	NF100	100A	100A-600V	J	10.12	7.00	—	3.50	6.25
—	•	•	•	NF100	100A	200A-600V	J	10.88	7.25	—	3.50	6.25
—	—	•	—	N200	200A*	No fuse	—	7.12	10.00	—	—	7.00
—	—	•	—	NF200	200A*	200A-250V	H, K, R	15.00	10.00	—	—	7.00
—	—	•	—	NF200	200A*	400A-250V	H, K, R	16.56	10.38	—	—	7.00
—	—	•	—	NF200	200A*	200A-600V	H, K, R	17.56	10.00	—	—	7.00
—	—	•	—	NF200	200A*	400A-600V	H, K, R	19.56	10.62	—	—	7.00
—	—	•	—	NF200	200A*	200A-600V	J	13.69	10.00	—	—	7.00
—	—	•	—	NF200	200A*	400A-600V	J	15.00	10.25	—	—	7.00

ALLEN-BRADLEY 1494D CIRCUIT BREAKER OPERATORS										WIRE BEND SPACE "WB" ABOVE DISCONNECT		
										ABN12/1494D (PAGES F20-22)		
FITS ENCLOSURE DEPTH				TYPE NUMBER	FRAME RATING	BREAKER TYPE FRAME SIZE (3POLE)	SPACE OCCUPIED		WHEN E=3.84 WB	WHEN E=6.75 WB	WHEN E=9.50 WB	
8.00 (203)	10.00 (254)	12.00 (305)	16.00 (406)				F	G				
•	•	•	•	N4/N40	150A	EHD, FD, FDB, FDC, HFD, HMCP	5.81	4.31	3.25	6.12	8.88	
	•	•	•	N5/N55	225A	General Electric TFK, THFK, TFC	8.81	4.50	—	5.34	8.09	
	•	•	•	N5/N50	250A	C-H JD, JDB, JDC, HJD, HMCP	8.81	4.50	—	5.31	8.06	
	•	•	•	N5/N60	400A	C-H KD, KDB, KDC, HKD, HMCP	8.81	5.62	—	5.44	8.19	

* 200 amp switches can be installed only in 12.00-inch (305mm) deep enclosures that have provisions for 200 amp switches.
 ** The "G" dimension does not include space for auxiliary switches. See Allen-Bradley instructions for additional space required.

SDN12 & SDN12-PL SERIES WALL-MOUNT DISCONNECTS			
CATALOG NUMBER		STIFFENER	
WITH HANDLE	WITHOUT HANDLE	DOOR	BODY
SDN12202108PL	SDN12202108	NO	NO
SDN12242108PL	SDN12242108	NO	NO
SDN12242508PL	SDN12242508	NO	NO
SDN12302108PL	SDN12302108	NO	NO
SDN12302508PL	SDN12302508	NO	NO
SDN12362508PL	SDN12362508	NO	NO
SDN12363108PL	SDN12363108	NO	YES
SDN12423208PL	SDN12423208	YES	YES
SDN12423708PL	SDN12423708	YES	YES
SDN12483708PL	SDN12483708	YES	YES
SDN12603808PL	SDN12603808	YES	YES
SDN12202110PL	SDN12202110	NO	NO
SDN12242110PL	SDN12242110	NO	NO
SDN12242510PL	SDN12242510	NO	NO
SDN12302110PL	SDN12302110	NO	NO
SDN12302510PL	SDN12302510	NO	NO
SDN12362510PL	SDN12362510	NO	NO
SDN12363110PL	SDN12363110	NO	YES
SDN12423110PL	SDN12423110	YES	YES
SDN12423710PL	SDN12423710	YES	YES
SDN12483710PL	SDN12483710	YES	YES
SDN12603710PL	SDN12603710	YES	YES
SDN12302612PL	SDN12302612	NO	NO
SDN12363212PL	SDN12363212	NO	YES
SDN12423212PL	SDN12423212	YES	YES
SDN12423812PL	SDN12423812	YES	YES
SDN12483812PL	SDN12483812	YES	YES
SDN12603812PL	—	YES	YES
SDN12603812APL	SDN12603812A	YES	YES
SDN12363116PL	SDN12363116	NO	YES
SDN12483816PL	SDN12483816	YES	YES
SDN12603816PL	SDN12603816	YES	YES

ABN12 SERIES WALL-MOUNT DISCONNECTS		
CATALOG NUMBER	STIFFENER	
	DOOR	BODY
ABN12242108	NO	NO
ABN12242508	NO	NO
ABN12302108	NO	NO
ABN12302508	NO	NO
ABN12363108	NO	YES
ABN12423108	YES	YES
ABN12362510	NO	NO
ABN12363110	NO	YES
ABN12483710	YES	YES
ABN12603710	YES	YES
ABN12483812	YES	YES
ABN12483816	YES	YES

N412-CD ULTIMATE SERIES WALL-MOUNT DISCONNECTS		
CATALOG NUMBER	STIFFENER	
	DOOR	BODY
N412202208CD	NO	NO
N412242208CD	NO	NO
N412242608CD	NO	NO
N412302608CD	NO	NO
N412362608CD	NO	YES
N412363208CD	YES	YES
N412423212CD	YES	YES
N412423812CD	YES	YES
N412603812CD	YES	YES

N412-CDSS ULTIMATE SERIES STAINLESS WALL-MOUNT DISCONNECTS		
CATALOG NUMBER	STIFFENER	
	DOOR	BODY
N412242208CDSS	NO	NO
N412242608CDSS	NO	NO
N412302608CDSS	NO	NO
N412362608CDSS	NO	NO
N412363208CDSS	NO	NO
N412423212CDSS	NO	YES
N412423812CDSS	YES	YES
N412483812CDSS	YES	YES
N412423812CDSS	YES	YES

SN4 SERIES WALL-MOUNT DISCONNECTS		
CATALOG NUMBER	STIFFENER	
	DOOR	BODY
SN4242108	NO	NO
SN4242508	NO	NO
SN4302508	NO	NO
SN4363108	NO	YES
SN4423112	YES	YES
SN4423712	YES	YES
SN4483712	YES	YES
SN4603712	YES	YES

SSN4X SERIES WALL-MOUNT DISCONNECTS		
CATALOG NUMBER	STIFFENER	
	DOOR	BODY
SSN4X242108	NO	NO
SSN4X242508	NO	NO
SSN4X302508	NO	NO
SSN4X362508	NO	NO
SSN4X363108	NO	YES
SSN4X423112	YES	YES
SSN4X423712	YES	YES
SSN4X483712	YES	YES
SSN4X603712	YES	YES



WA60X4912U



WA60CPX4912U

Industry Standards

UL 508, Type 12

CSA Certified, Type 12

NEMA/EEMAC Type 12

 UL File E64791

 CSA File LL66078

FEATURES-SPECIFICATIONS
Applications

The Wiegmann universal cutout is used in large freestand and floorstand enclosures. Operator Adapter Kits are required in order to install the various manufacturers' hardware. Note that 400 A (or greater) disconnect switches and 600 A (or greater) circuit breakers need to use the "Large" or "High Amp" cutout, which is provided in the WA21ABVA kit for Allen-Bradley variable-depth disconnect switches or the WA21ITE kit for Siemens (and select other manufacturers) flex-cable devices. The "Large" or "High Amp" cutout accepts the larger operating handle whose mounting hole centers are 6.500-in. apart.

Allen-Bradley

- 1494V disconnect switches with flange-mount variable depth operating mechanisms and 1494V flange-mounted variable depth operating mechanisms for circuit breakers
- 140U flexible cable operating mechanisms and 140U molded case circuit breakers
- 1494C cable-operated disconnect switches with flange-mount handles
- 194RC cable-operated flange-mount handles for use with the NFPA 79 compliant 194R IEC rotary disconnect switches

Allen-Bradley 1494V-R1, -R2 and -W2 operating handles and Allen-Bradley 1494F disconnect devices or 1494D circuit breaker operators will NOT fit these enclosures.

- **ABB Controls** flange-mounted variable depth operating mechanisms for disconnect switches and circuit breakers
- **Eaton Cutler-Hammer** Type C361 disconnect switches and operating mechanisms, and Type C371 circuit breakers and circuit breakers operating mechanisms. Also Type SM safety handle mechanisms and Flex Shaft™ handle operators for circuit breakers

- **General Electric** Type STDA flange handles and variable depth operating mechanisms for disconnect switches and circuit breakers. Also Spectra Flex™ cable operators for circuit breakers
- **Siemens ITE Max-Flex™** flange-mounted variable depth operating handles for disconnect switches and circuit breakers
- **Schneider Square D®** disconnect switches and circuit breakers used with Class 9422 flange-mounted variable depth operating mechanisms or cable mechanisms

These enclosures will not receive Class 9422 bracket-mounted disconnect devices, 9422TG1, or TG2 devices

Construction

- Bodies and doors fabricated from 10 gauge steel
- Continuously welded seams ground smooth
- Body stiffeners provided for extra rigidity
- Heavy gauge continuous hinges to secure doors
- Heavy duty 3-point padlocking handles on all doors
- Print pocket is provided
- 15-inch floor stands are welded to enclosure
- Doors are sealed with polyurethane poured-in-place gasket
- Heavy duty lifting eyes and provisions for fluorescent lighting are provided
- Panel supports
- Collar studs are provided for mounting optional sub panels
- Grounding provisions provided
- Unless specified, the right door is considered to be the "master" door on the "Right Flange" mount enclosures and the left door is the "master" door on the "Center Post" mount enclosures

- A mechanical interlock is provided and prevents the slave door from opening before opening the master door
- Disconnects come with a universal cutout which provides mounting for most disconnects operators by using operator adapters
- Removable center post permits easy panel installation
- FTC rolled lip around all sides of enclosure opening excludes liquids and contaminants

Finish

- ANSI 61 gray polyester powder inside and out over phosphatized surfaces
- **Optional** back panels are white polyester powder over phosphatized surfaces
- **Optional** "G" panels have a conductive finish

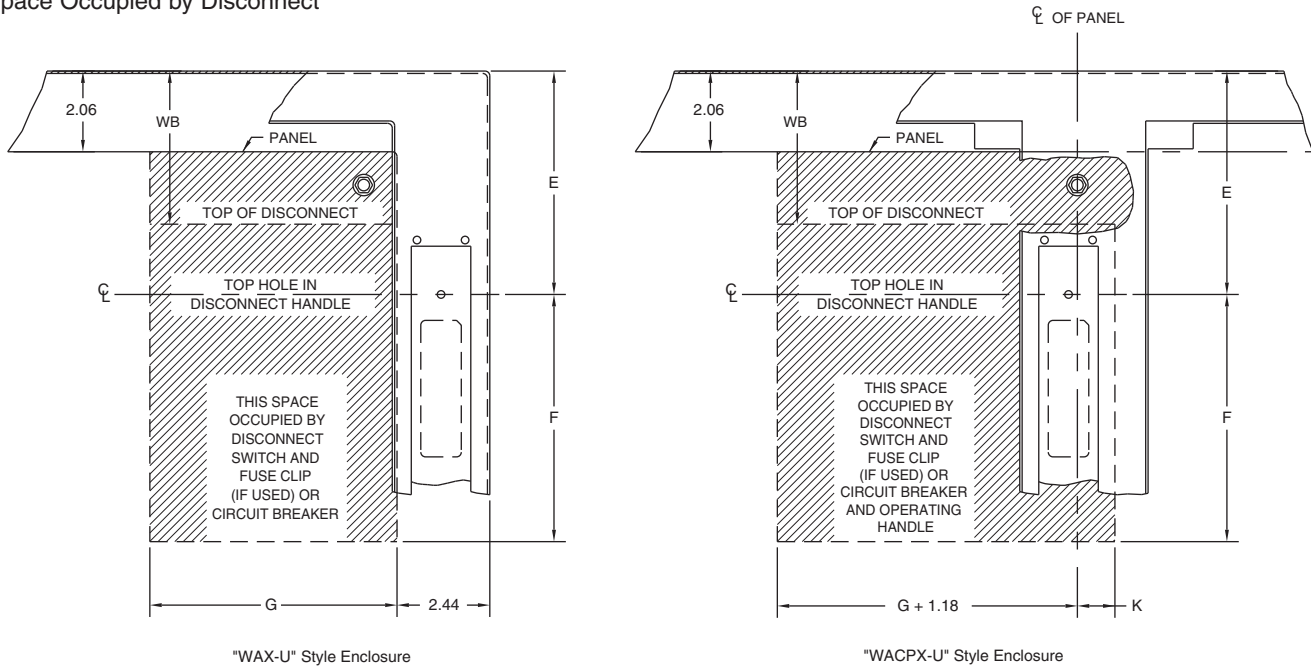
Accessories

- Back panels (reference tables)
- See pages J1-J22
- Blank adapter plates on pages F61

IMPORTANT

- Disconnect switch or circuit breakers, operating handle and operating mechanism are **not** furnished with the enclosure and must be ordered separately from the disconnect manufacturer.
- **Operator adapter plates are required** with this enclosure and must be purchased separately. See page F61 to select the proper operator adapter for the brand and type of disconnect being used
- Disconnect ordering information is located on page F31
- Review space occupied by disconnect drawings on page F30 and disconnect tables on pages F51-F60 to determine if the disconnect device you are using will fit the enclosure size you have selected

Space Occupied by Disconnect



Note:

1. See pages F51-F60 for various brands of disconnects for "E", "F", "G", "K" and "WB" dimensions.
2. Disconnects will occupy space on panel shown by dimensions "E", "F", "G" and "K". Wiring space "WB" is available when disconnect is installed in the enclosure.
3. When ordering 24.13 (613mm) deep enclosures, long connecting rods must be ordered. Long connecting rods are available from disconnect manufacturers.
 - ABB Controls flange-operated devices
 - Eaton Cutler-Hammer C361 devices
 - Eaton Cutler-Hammer C371 operating mechanisms C371E and C371F, order catalog number C371CS1 connecting rod. For C371G and C371K, order catalog number C371CS2 connecting rod.
 - General Electric TDA devices, order catalog number TDSR extended length drive rod
 - For Schneider Square D® 9422 devices, order catalog number 9422-R2 extra long operating rod(s). Some devices require two rods.

Refer to *National Electrical Code*® article 430-10(b) for wiring space required for line side conductors to be connected to disconnect. Verify your application to determine if wiring space is adequate.

DISCONNECT ORDERING INFORMATION

When ordering wall-mounted disconnects from the various manufacturers, be sure to order all of the necessary items. Each company has a different system, so care is required. Order the following items from the disconnect manufacturer.

Allen-Bradley

When using a Bulletin 1494F flange-mounted disconnect switch, order:

1. A disconnect switch
2. A fuse block adapter, if required
3. Line and load connectors, if required

When using a Bulletin 1494D flange-mounted operator for a circuit breaker, order:

1. A circuit breaker
2. A flange-mounted operating mechanism
3. A slide mechanism

When using a Bulletin 1494V disconnect switch, order:

- * 1. A disconnect switch
- * 2. An operating handle
- * 3. A connecting rod (long)
- * 4. A trailer fuse block kit, if required
- * 5. A fuse clip kit, if required
- 6. Line and load connectors, if required

When using a Bulletin 1494V circuit breaker operating mechanism, order:

1. A circuit breaker
2. A circuit breaker operating mechanism
3. An operating handle
4. A connecting rod (long)

An optional Allen-Bradley channel support kit is recommended when Allen-Bradley Bulletin 1494V devices are installed in 72.12" (1832mm) high enclosures with operating handle mounted on centerpost.

ABB Controls

When using a disconnect switch, order:

1. A flange operated switch (fusible or non-fusible)
2. A shaft [DSFHS-12 for 12.12" (308mm) deep or DSFHS-17 for 18.12" (460mm) deep enclosures; in 24.12" (613mm) deep enclosures a platform must be used with shaft]
3. A handle (DSFHN-HS12)

When using a circuit breaker, order:

- 1. A circuit breaker (ABB)
- * 2. An operating mechanism
- * 3. A shaft [FHS-12 for 12.12" (308mm) deep or FHS-17 for 18.12" (460mm) deep enclosures; in 24.12" (613mm) deep enclosures a platform must be used with shaft]
- * 4. Handle mechanism (FHN-HS12)

** Items available from disconnect manufacturer as complete kits.*

PLEASE NOTE:

1. Various other switch accessories and circuit breaker accessories are available from disconnect manufacturers. The above information is subject to change without notice. Please contact Hubbell-Wiegmann or the disconnect manufacturer if there are further questions.
2. The "Space Occupied" tables (pages F51-F60) are based upon information supplied by disconnect manufacturers. Hubbell-Wiegmann does not assume responsibility for the accuracy of these dimensions.

Eaton Cutler-Hammer

When using a Type C361 disconnect switch, order:

- * 1. A disconnect switch with an operating mechanism
- * 2. An operating handle (C361H1 or C361H3)

When using a Type C371 circuit breaker operating mechanism with a circuit breaker, order:

1. A circuit breaker
- * 2. An operating mechanism
- * 3. An operating handle

When using a Type SM handle mechanism, order:

1. A circuit breaker
2. A type SM handle mechanism

When using a Flex Shaft™ handle mechanism, order:

1. A circuit breaker
2. A complete Flex Shaft™ handle mechanism

General Electric

When using a disconnect switch, order:

1. A disconnect switch (Type QMR or QMW)
2. A fuse clip kit or no-fuse kit
3. A flange handle (STDA1 or STDA2)
4. A variable depth operating mechanism
5. An extended length drive rod (if required)

When using a circuit breaker, order:

1. A circuit breaker
2. A flange handle (STDA1 or STDA2)
3. A variable depth operating mechanism
4. An extended length drive rod (if required)

When optional General Electric Flange Stiffener Kit (catalog number TDSR) is recommended when General Electric Type TDA devices are installed in 72.12" (1832) high enclosures with operating handle mounted on centerpost. Use with TDOM1, TDOM2, TDOM3, S100M1A, and S100M3 operating mechanisms.

When using a circuit breaker with a Spectra Flex™ cable operator, order:

1. A circuit breaker
2. A flange-mounted handle mechanism
3. A breaker-mounted mechanism
4. An operating cable

Siemens ITE Max-Flex™

When using a disconnect switch, order:

1. A basic switch (right-hand)
2. A fuse or no-fuse kit
- * 3. FHOHS flange-mounted handle
- * 4. Switch operator
- * 5. FHOECO36 cable for 12.12" (308mm) deep enclosures or FHOECO48 for 18.12 (460mm) and 24.12" (613mm) deep enclosures

When using a circuit breaker, order:

1. A circuit breaker
2. Pressure wire connectors
- * 3. A flange-mounted handle
- * 4. A circuit breaker operator mechanism
- * 5. An operating cable [12.12" (308mm) deep or 18.12 (460mm) deep enclosures accept 36.00" (914mm) or 48.00 (1219mm) cables; 24.12" (613mm) deep enclosures require a 48.00" (1219mm) cable]

** These items are available from Siemens ITE Max-Flex™ ITE as a complete mechanism with a 36.00" (914mm) operating cable only. Order items separately when using a 48.00" (1219mm) operating cable.*

Schneider Square D®

When using a disconnect switch, order:

1. A disconnect switch with operating mechanism
2. A universal handle mechanism
3. A long operating rod, if required

When using a circuit breaker, order:

1. A circuit breaker
2. An operating mechanism
3. A universal handle mechanism
4. A long operating rod, if required

When using a Class 9422 Type "T" disconnect switch with a cable mechanism, order:

1. A disconnect switch with operating mechanism (Class 9422 Type T)
2. A handle mechanism (Class 9422 Type A-1)
3. A cable mechanism (Class 9422 CFT_O) 3-, 5-, or 10-foot

When using a circuit breaker with a cable mechanism, order:

1. A circuit breaker (Schneider Square D®)
2. A handle mechanism (Class 9422 Type A-1)
3. A cable mechanism (Class 9422 CFT_O) 3-, 5-, or 10-foot

An optional Schneider Square D® Channel Flange Support Kit (catalog number 9422-C1) is recommended when some Schneider Square D® devices are installed in 72.12" (1832mm) high enclosures with operating handle mounted on centerpost.



WA72XM2718U

Industry Standards

UL 508, Type 12

CSA Certified, Type 12

NEMA/EEMAC Type 12

 UL File E64791

 CSA File LL66078

FEATURES-SPECIFICATIONS
Applications

The Wiegmann universal cutout is used in large freestand and floorstand enclosures. Operator Adapter Kits are required in order to install the various manufacturers' hardware. Note that 400 A (or greater) disconnect switches and 600 A (or greater) circuit breakers need to use the "Large" or "High Amp" cutout, which is provided in the WA21ABVA kit for Allen-Bradley variable-depth disconnect switches or the WA21ITE kit for Siemens (and select other manufacturers) flex-cable devices. The "Large" or "High Amp" cutout accepts the larger operating handle whose mounting hole centers are 6.500-in. apart.

Allen-Bradley

- 1494V disconnect switches with flange-mount variable depth operating mechanisms and 1494V flange-mounted variable depth operating mechanisms for circuit breakers
- 140U flexible cable operating mechanisms and 140U molded case circuit breakers
- 1494C cable-operated disconnect switches with flange-mount handles
- 194RC cable-operated flange-mount handles for use with the NFPA 79 compliant 194R IEC rotary disconnect switches

Allen-Bradley 1494V-R1, -R2 and -W2 operating handles and Allen-Bradley 1494F disconnect devices or 1494D circuit breaker operators will NOT fit these enclosures.

- **ABB Controls** flange-mounted variable depth operating mechanisms for disconnect switches and circuit breakers
- **Eaton Cutler-Hammer** Type C361 disconnect switches and operator mechanisms. Eaton Cutler-Hammer Type C371 circuit breaker operating mechanisms. Also Type SM safety handle mechanisms and Flex Shaft™ handle operators for circuit breakers

- **General Electric** Type STDA flange handles and variable depth operating mechanisms for disconnect switches and circuit breakers. Also Spectra Flex™ cable operators for circuit breakers
- **Siemens ITE Max-Flex™** flange-mounted variable depth operating handles for disconnect switches and circuit breakers
- **Schneider Square D®** disconnect switches and circuit breakers used with Class 9422 flange-mounted variable depth operating mechanisms or cable mechanism

These enclosures will not receive Class 9422 bracket-mounted disconnect devices or Class 9422TG1 or TG2 devices

Construction

- Bodies and doors fabricated from 10 gauge steel.
- Removable 10 gauge steel **back panels are included** and mounted on collar studs
- Continuously welded seams ground smooth
- Body stiffeners provided for extra rigidity
- Heavy duty lifting eyes and provisions for fluorescent lighting are provided
- Heavy gauge continuous hinges support each door
- 3-point padlocking handles on all doors
- Panel supports
- Center posts are removable to permit easy panel installation.
- Print pocket is provided
- Grounding provisions provided
- Doors are sealed with polyurethane poured-in-place gasket
- Unless specified, the far right door is considered to be the "Master" door. All other doors are considered slave doors

- The mechanical interlock is activated by the master door which prevents the slave doors from being opened first. Doors can be closed in any order
- Disconnects come with a universal cutout which provides mounting for most disconnect operators by using operator adapters
- FTC rolled lip around all sides of enclosure opening excludes liquids and contaminants

Finish

- ANSI 61 gray polyester powder inside and out over phosphatized surfaces
- Included back panels are white polyester powder over phosphatized surfaces

Accessories

- See pages J1-J22
- Blank adapter plates on pages F61

IMPORTANT

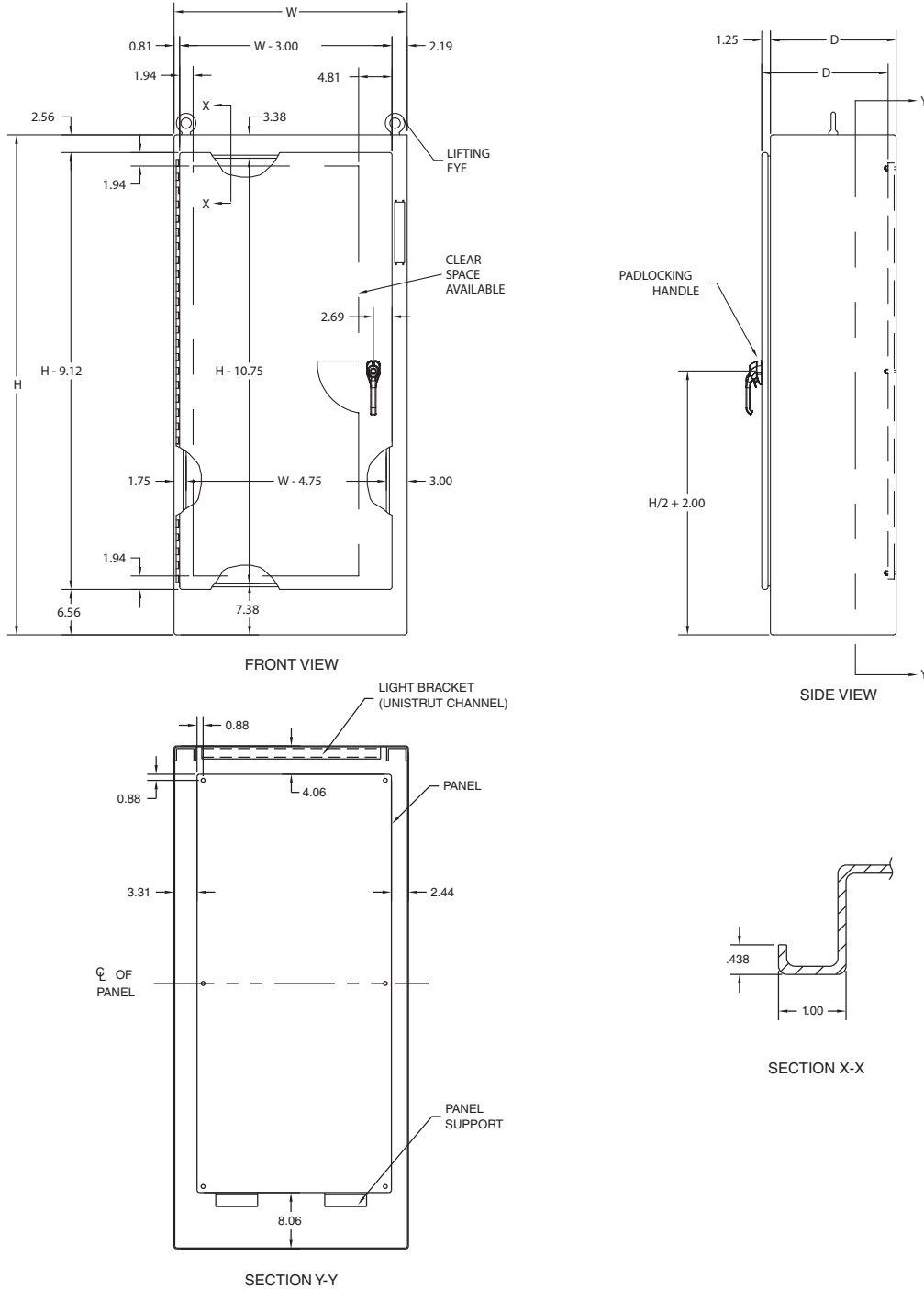
- Disconnect switch or circuit breakers, operating handle and operating mechanism are not furnished with enclosure and must be ordered separately from the disconnect manufacturer
- **Operator adapter plates are required** with this enclosure and must be purchased separately. See pages F61 to select the proper operator adapter for the brand and type of disconnect being used
- Disconnect ordering information is located on page F39
- Review space occupied by disconnect drawings on page F38 and disconnect tables on pages F51-F60 to determine if the disconnect device you are using will fit the enclosure size you have selected

**WAXM-U SERIES ENCLOSURES
NEMA 12 HEAVY DUTY FREESTANDING DISCONNECT**

F33

WAXM-U SERIES HEAVY DUTY SINGLE DOOR DISCONNECTS			
CATALOG NUMBER	BODY/DOOR STEEL GAUGE	ENCLOSURE SIZE H X W X D	BACK PANEL SIZE A X B*
WA72XM2718U	10/10	72.13x27.50x18.13 (1832x699x460)	60.00x21.75 (1524x552)
WA72XM3318U	10/10	72.13x33.50x18.13 (1832x851x460)	60.00x27.75 (1524x705)
WA72XM3918U	10/10	72.13x39.50x18.13 (1832x1003x460)	60.00x33.75 (1524x857)
WA84XM3918U	10/10	84.13x39.50x18.13 (2137x1003x460)	72.00x33.75 (1829x857)
WA90XM3920U	10/10	90.13x39.50x20.13 (2289x1003x511)	78.00x33.75 (1981x857)
WA90XM3924U	10/10	90.13x39.50x24.13 (2289x1003x613)	78.00x33.75 (1981x857)

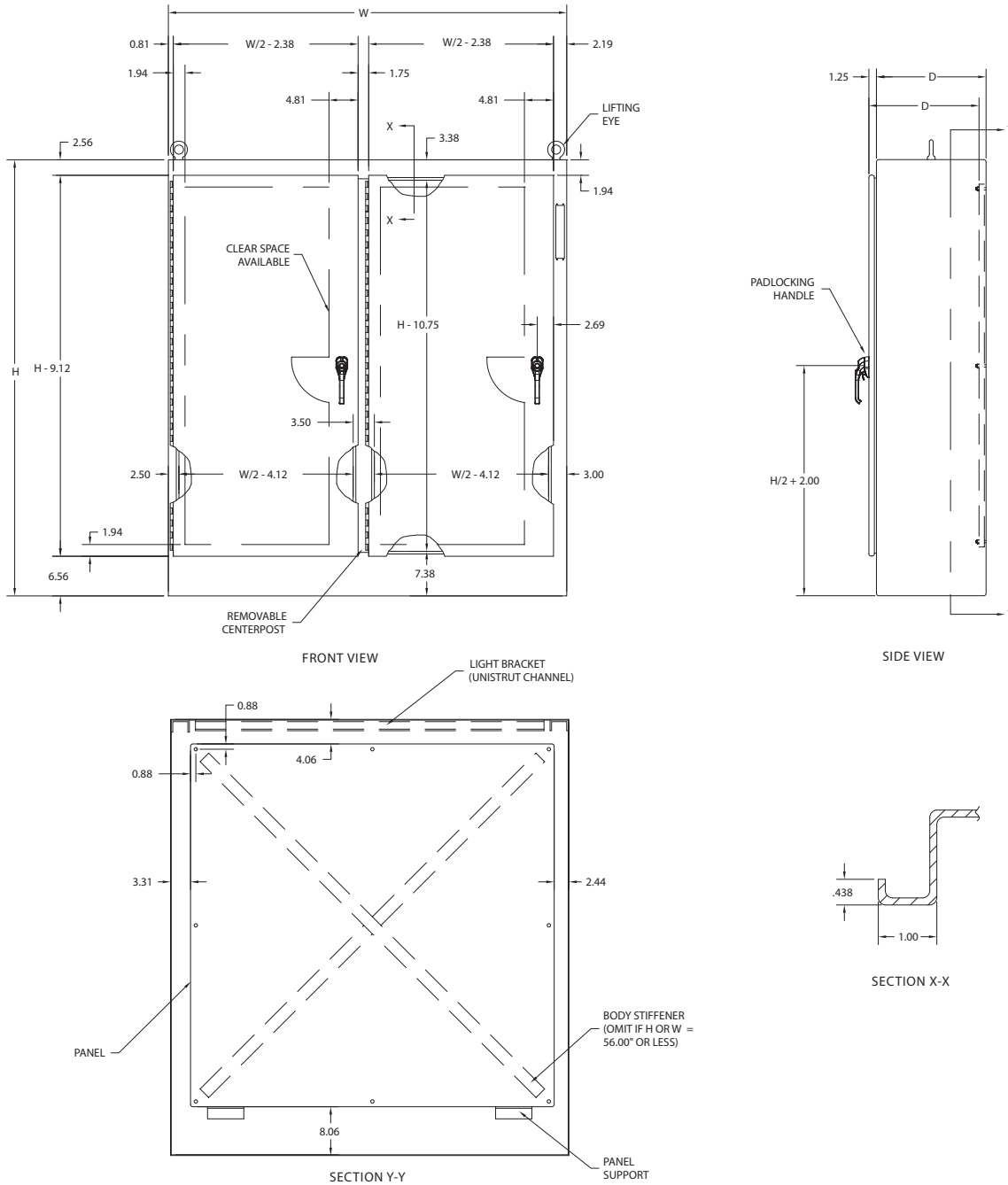
*Back panels are furnished with enclosures.



**WAXM-U SERIES ENCLOSURES
NEMA 12 HEAVY DUTY FREESTANDING DISCONNECT**

WAXM-U SERIES HEAVY DUTY TWO DOOR DISCONNECTS			
CATALOG NUMBER	BODY/DOOR STEEL GAUGE	ENCLOSURE SIZE H X W X D	BACK PANEL SIZE A X B*
WA72XM5318U	10/10	72.13x53.75x18.13 (1832x1365x460)	60.00x48.00 (1524x1219)
WA72XM6518U	10/10	72.13x65.75x18.13 (1832x1670x460)	60.00x60.00 (1524x1524)
WA72XM7718U	10/10	72.13x77.75x18.13 (1832x1975x460)	60.00x72.00 (1524x1829)
WA72XM7724U	10/10	72.13x77.75x24.13 (1832x1975x613)	60.00x72.00 (1524x1829)
WA84XM7718U	10/10	84.13x77.75x18.13 (2137x1975x461)	72.00x72.00 (1829x1829)
WA90XM7720U	10/10	90.13x77.75x20.13 (2289x1975x511)	78.00x72.00 (1981x1829)
WA90XM7724U	10/10	90.13x77.75x24.13 (2289x1975x613)	78.00x72.00 (1981x1829)

*Back panels are furnished with enclosures.

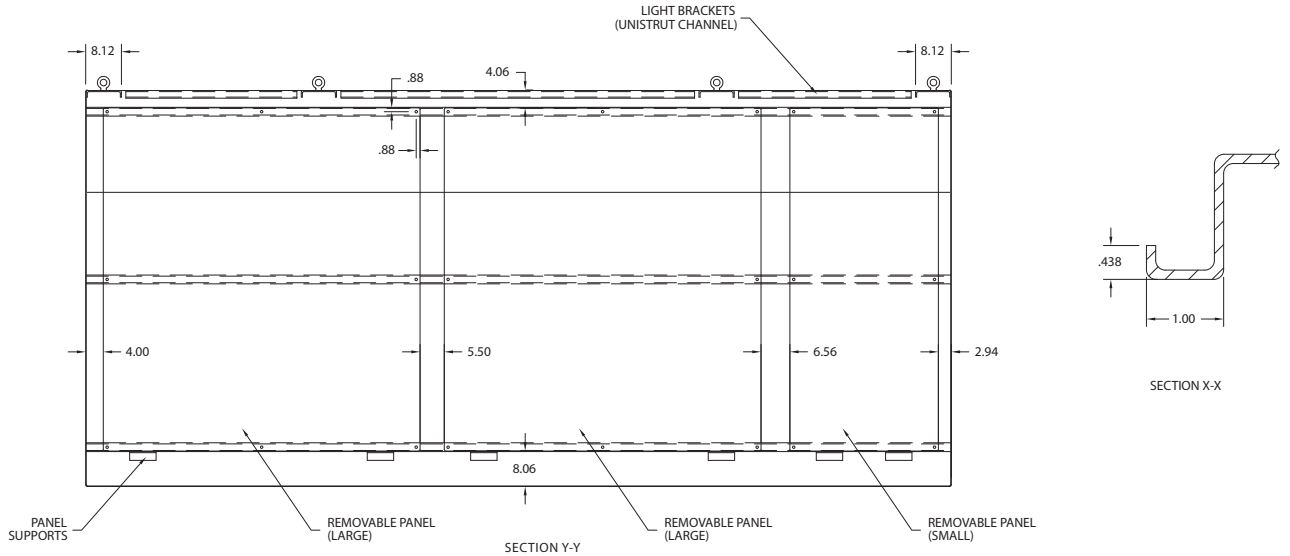
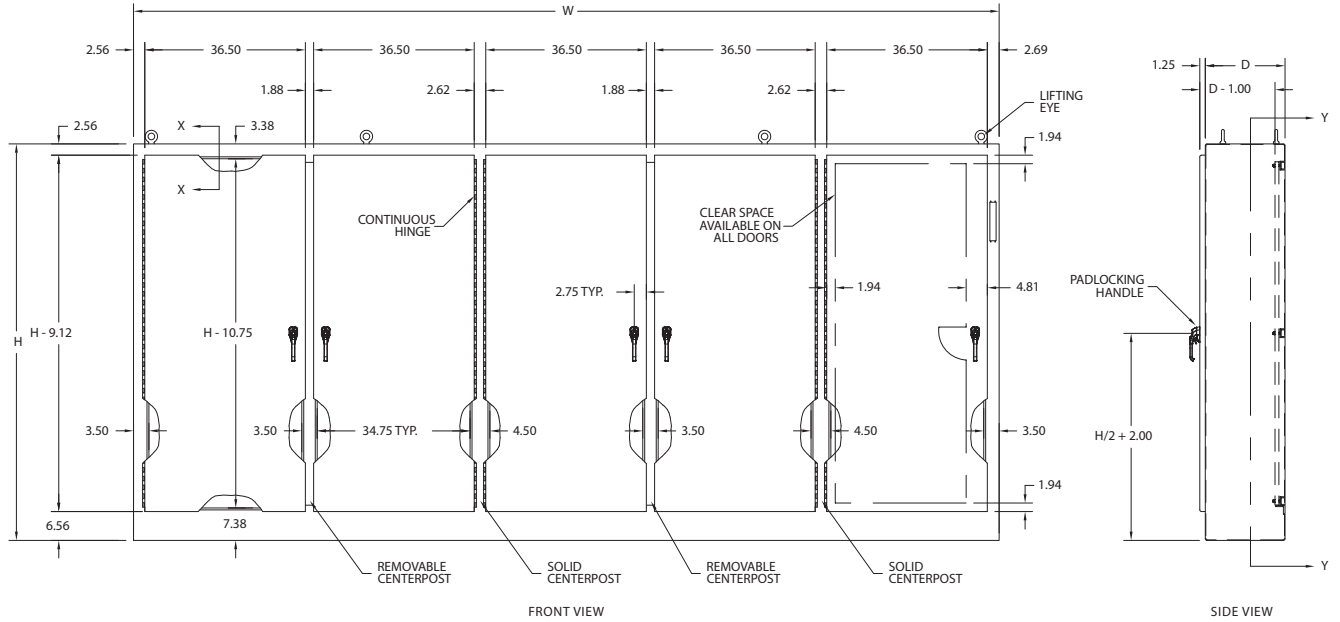


WAXM-U SERIES ENCLOSURES NEMA 12 HEAVY DUTY FREESTANDING FIVE DOOR DISCONNECT

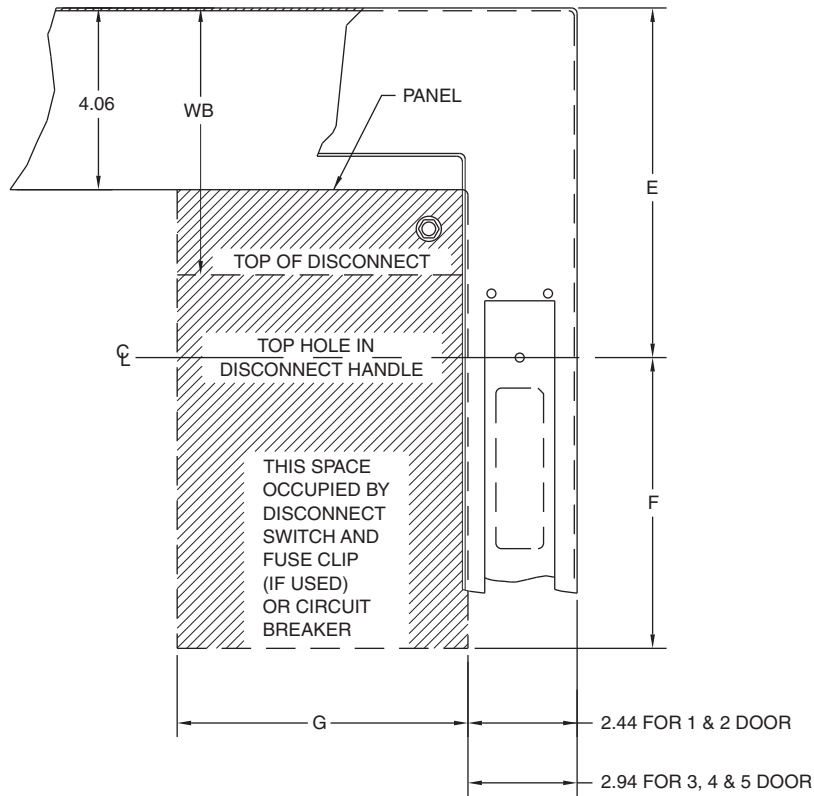
F37

WAXM-U SERIES HEAVY DUTY FIVE DOOR DISCONNECTS				
CATALOG NUMBER	BODY/DOOR STEEL GAUGE	ENCLOSURE SIZE H X W X D	NO. OF PANELS	BACK PANEL SIZE A X B*
WA84XM5EW18U	10/10	84.13x196.75x18.13 (2137x4997x460)	2 1	72.00x72.00 (1829x1829) 72.00x33.75 (1829x857)

*Back panels are furnished with enclosures.



Space Occupied by Disconnect



Note:

1. See pages F51-F60 for various brands of disconnects for "E", "F", "G" and "WB" dimensions.
2. Disconnects will occupy space on panel shown by dimensions "E", "F" and "G." Wiring space "WB" is available when disconnect is installed in the enclosure.
3. When ordering 24.13 (613mm) deep enclosures, long connecting rods must be ordered. Long connecting rods are available from disconnect manufacturers.
 - ABB Controls flange-operated devices
 - Eaton Cutler-Hammer C361 devices
 - Eaton Cutler-Hammer C371 operating mechanisms C371E and C371F, order catalog number C371CS1 connecting rod. For C371G and C371K, order catalog number C371CS2 connecting rod.
 - General Electric TDA devices, order catalog number TDSR extended length drive rod
 - For Schneider Square D® 9422 devices, order catalog number 9422-R2 extra long operating rod(s). Some devices require two rods.

Refer to *National Electrical Code*® article 430-10(b) for wiring space required for line side conductors to be connected to disconnect. Verify your application to determine if wiring space is adequate.

DISCONNECT ORDERING INFORMATION

When ordering wall-mounted disconnects from the various manufacturers, be sure to order all of the necessary items. Each company has a different system, so care is required. Order the following items from the disconnect manufacturer.

Allen-Bradley

When using a Bulletin 1494F flange-mounted disconnect switch, order:

1. A disconnect switch
2. A fuse block adapter, if required
3. Line and load connectors, if required

When using a Bulletin 1494D flange-mounted operator for a circuit breaker, order:

1. A circuit breaker
2. A flange-mounted operating mechanism
3. A slide mechanism

When using a Bulletin 1494V disconnect switch, order:

- *1. A disconnect switch
- *2. An operating handle
- *3. A connecting rod (long)
- *4. A trailer fuse block kit, if required
- *5. A fuse clip kit, if required
6. Line and load connectors, if required

When using a Bulletin 1494V circuit breaker operating mechanism, order:

1. A circuit breaker
2. A circuit breaker operating mechanism
3. An operating handle
4. A connecting rod (long)

ABB Controls

When using a disconnect switch, order:

1. A flange operated switch (fusible or non-fusible)
2. A shaft [DSFHS-17 for 18.12" (460mm) deep or DSFHS-22 for 20.12" (511mm) deep enclosures; in 24.12" (613mm) deep enclosures a platform must be used with shaft]
3. A handle (DSFHN-HS12)

When using a circuit breaker, order:

1. A circuit breaker (ABB)
- *2. An operating mechanism
- *3. A shaft [FHS-17 for 18.12" (460mm) deep or FHS-22 for 20.12" (511mm) deep enclosures; in 24.12" (613mm) deep enclosures a platform must be used with shaft]
- *4. Handle mechanism (FHN-HS12)

PLEASE NOTE:

1. Various other switch accessories and circuit breaker accessories are available from disconnect manufacturers. The above information is subject to change without notice. Please contact Hubbell-Wiegmann or the disconnect manufacturer if there are further questions.
2. The "Space Occupied" tables (pages F51-F60) are based upon information supplied by disconnect manufacturers. Hubbell-Wiegmann does not assume responsibility for the accuracy of these dimensions.

* Items available from disconnect manufacturer as complete kits.

Eaton Cutler-Hammer

When using a Type C361 disconnect switch, order:

- *1. A disconnect switch with an operating mechanism
- *2. An operating handle (C361H1 or C361H3)

When using a Type C371 circuit breaker operating mechanism with a C-H order:

1. A circuit breaker
- *2. An operating mechanism
- *3. An operating handle

When using a Type SM handle mechanism, order:

1. A circuit breaker
2. A type SM handle mechanism

When using a Flex Shaft™ handle mechanism, order:

1. A circuit breaker
2. A complete Flex Shaft™ handle mechanism

General Electric

When using a disconnect switch, order:

1. A disconnect switch (Type QMR or QMW)
2. A fuse clip kit or no-fuse kit
3. A flange handle (STDA1 or STDA2)
4. A variable depth operating mechanism
5. An extended length drive rod (if required)

When using a circuit breaker, order:

1. A circuit breaker
2. A flange handle (STDA1 or STDA2)
3. A variable depth operating mechanism
4. An extended length drive rod (if required)

When using a circuit breaker with a Spectra Flex™ cable operator, order:

1. A circuit breaker
2. A flange-mounted handle mechanism
3. A breaker-mounted mechanism
4. An operating cable

Siemens ITE Max-Flex™

When using a disconnect switch, order:

1. A basic switch (right-hand)
2. A fuse or no-fuse kit
- *3. FHOHS flange-mounted handle
- *4. Switch operator
- *5. FHOECO48 cable

When using a circuit breaker, order:

1. A circuit breaker
2. Pressure wire connectors
- *3. A flange-mounted handle
- *4. A circuit breaker operator mechanism
- *5. An operating cable [18.12" (460mm) deep or 20.12" (511mm) deep enclosures accept 36.00" (914mm) or 48.00" (1219mm) cables; 24.12" (613mm) deep enclosures require a 48.00" (1219mm) cable]

* These items are available from Siemens ITE Max-Flex™ as a complete mechanism with a 36.00" (914mm) operating cable only. Order items separately when using a 48.00" (1219mm) operating cable.

Schneider Square D®

When using a disconnect switch, order:

1. A disconnect switch with operating mechanism
2. A universal handle mechanism
3. A long operating rod, if required

When using a circuit breaker, order:

1. A circuit breaker
2. An operating mechanism
3. A universal handle mechanism
4. A long operating rod, if required

When using a Class 9422 Type "T" disconnect switch with a cable mechanism, order:

1. A disconnect switch with operating mechanism (Class 9422 Type T)
2. A handle mechanism (Class 9422 Type A-1)
3. A cable mechanism (Class 9422 CFT_O) 3-, 5-, or 10-foot

When using a circuit breaker with a cable mechanism, order:

1. A circuit breaker (Schneider Square D®)
2. A handle mechanism (Class 9422 Type A-1)
3. A cable mechanism (Class 9422 CFT_O) 3-, 5-, or 10-foot



WMOD72X4018U

Industry Standards

UL 508, Type 12

CSA Certified, Type 12

NEMA/EEMAC Type 12



UL File E64791



CSA File LL66078

FEATURES-SPECIFICATIONS
Applications

Modular single-door and double-door Modular free-standing enclosures are designed to be bolted together in a variety of lengths and combinations to meet the customer's specific application. Modular disconnects enclosures are designed to house the following flange-mounted disconnect switches and circuit breakers:

The Wiegmann universal cutout is used in large freestanding and floorstand enclosures. Operator Adapter Kits are required in order to install the various manufacturers' hardware. Note that 400 A (or greater) disconnect switches and 600 A (or greater) circuit breakers need to use the "Large" or "High Amp" cutout, which is provided in the WA21ABVA kit for Allen-Bradley variable-depth disconnect switches or the WA21ITE kit for Siemens ITE Max-Flex™ (and select other manufacturers) flex-cable devices. The "Large" or "High Amp" cutout accepts the larger operating handle whose mounting hole centers are 6.500-in. apart.

Allen-Bradley

- 1494V disconnect switches with flange-mount variable depth operating mechanisms and 1494V flange-mounted variable depth operating mechanisms for circuit breakers
- 140U flexible cable operating mechanisms and 140U molded case circuit breakers
- 1494C cable-operated disconnect switches with flange-mount handles
- 194RC cable-operated flange-mount handles for use with the NFPA 79 compliant 194R IEC rotary disconnect switches

Allen-Bradley 1494V-R1, -R2 and -W2 operating handles and Allen-Bradley 1494F disconnect devices or 1494D circuit breaker operators will NOT fit these enclosures.

- **ABB Controls** flange-mounted variable depth operating mechanisms for disconnect switches and circuit breakers
- **Eaton Cutler-Hammer** Type C361 disconnect switches and operating mechanisms, and Type C371 circuit breaker operating mechanisms. Also Type SM safety handle

mechanisms and Flex Shaft™ handle operators for circuit breakers

- **General Electric** Type STDA flange handles and variable depth operating mechanisms for disconnect switches and circuit breakers. Also Spectra Flex™ cable operators for circuit breakers
- **Siemens ITE Max-Flex™** flange-mounted variable depth operating handles for disconnect switches and circuit breakers
- **Schneider Square D®** disconnect switches and circuit breakers used with Class 9422 flange-mounted variable depth operating mechanisms or cable mechanisms
These enclosures will not receive Schneider Square D® Class 9422 bracket-mounted disconnect devices or Class 9422TG1 or TG2 devices.

Construction

- Bodies and doors fabricated from 10 ga. steel
- Removable 10-gauge **back panels are included** and mounted on collar studs
- Continuously welded seams ground smooth
- Body stiffeners are provided for extra rigidity
- Door and side openings are flanged to provide extra strength and smooth edges
- Heavy duty lifting eyes and provisions for fluorescent lighting are provided
- Heavy gauge continuous hinges
- Grounding provisions provided
- 3-point padlocking handle on all doors
- Doors are supplied with a poured-in-place polyurethane gasket
- Print pocket is provided
- Panel supports
- Mechanical interlocks come standard on each enclosure. Parts required to connect interlock system between adjacent enclosures are provided

Finish

- ANSI 61 gray polyester powder inside and out over phosphatized surfaces
- Back panels are white polyester powder over phosphatized surfaces

Accessories

- See pages J1-J22
- Blank adapter plates on pages F61

IMPORTANT

- Disconnect switch or circuit breakers, operating handle and operating mechanism are not furnished with enclosure and must be ordered separately from the disconnect manufacturer
- **Operator adapter plates are required** with the modular flange disconnect enclosure only and must be purchased separately. Modular non-disconnect enclosures do not require a operator adapter plate. See page F61 to select the proper operator adapter for the brand and type of disconnect being used
- Disconnect ordering information is located on page F44
- Review space occupied by disconnect drawings on page F43 and disconnect tables on pages F51-F60 to determine if the disconnect device you are using will fit the enclosure size you have selected

A modular enclosure system consists of:

- A disconnect (master) enclosure
- Any quantity of slave enclosures
- Gasket kits to be used between enclosures
- End plate
- An operator adapter plate or blank adapter plate
- Disconnect device (order from disconnect manufacturer)

Single and Two Door Enclosures

- Left side is open (see drawings on pages F41 and F42)
- Master door hinged on left
- Master door activates mechanical interlock which prevents slave enclosures from being opened first
- Doors may be closed in any order

Single and Two Door Slave Enclosures

- Both sides are open (see drawings on pages F41 and F42)
- Door cannot be opened until master enclosure is opened or the interlock is defeated

WMOD SERIES ENCLOSURES NEMA 12 MODULAR FREESTANDING DISCONNECT

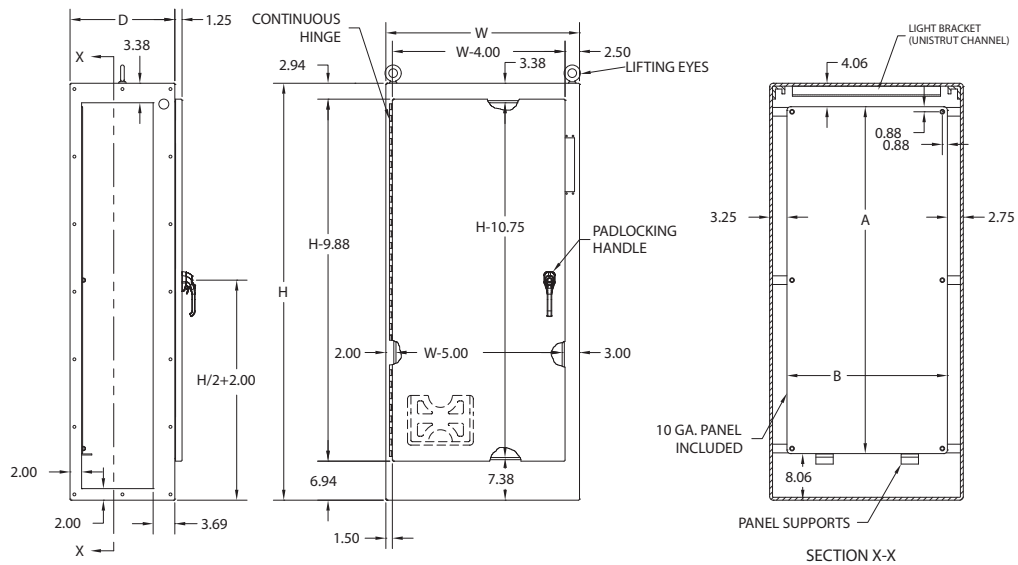
F41

WMOD SERIES SINGLE DOOR MODULAR FLANGE DISCONNECT (LEFT SIDE OPEN)			
CATALOG NUMBER	BODY/DOOR STEEL GAUGE	ENCLOSURE SIZE H X W X D	BACK PANEL SIZE A X B*
WMOD72X4018U	10/10	72.13x39.75x18.13 (1832x1010x460)	60.00x33.75 (1524x857)
WMOD84X4018U	10/10	84.13x39.75x18.13 (2137x1010x460)	72.00x33.75 (1829x857)
WMOD84X4024U	10/10	84.13x39.75x24.13 (2137x1010x613)	72.00x33.75 (1829x857)

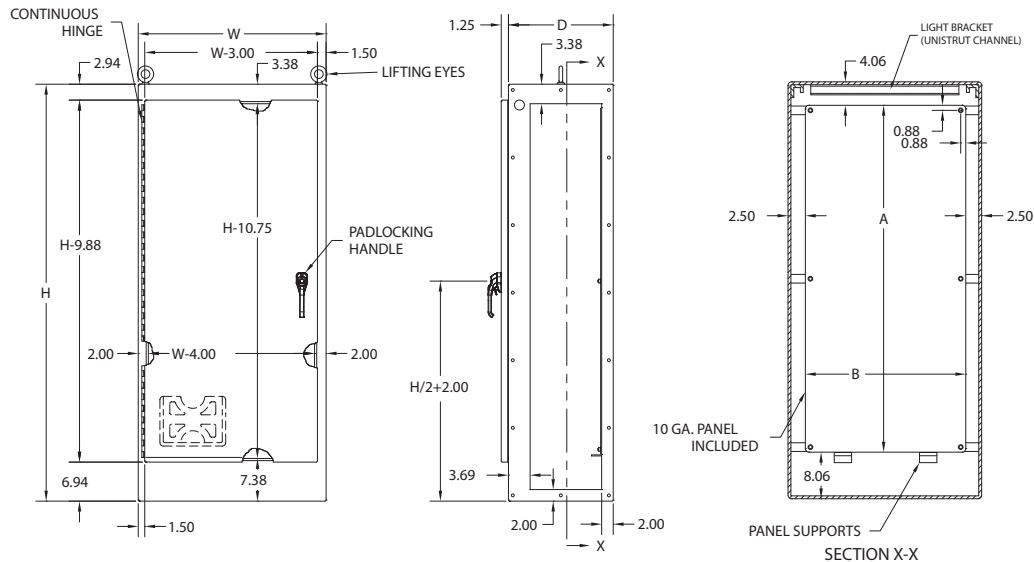
WMOD SERIES SINGLE DOOR MODULAR NON-DISCONNECT (BOTH SIDES OPEN)			
CATALOG NUMBER	BODY/DOOR STEEL GAUGE	ENCLOSURE SIZE H X W X D	BACK PANEL SIZE A X B*
WMOD723818	10/10	72.13x38.75x18.13 (1832x984x460)	60.00x33.75 (1524x857)
WMOD843818	10/10	84.13x38.75x18.13 (2137x984x460)	72.00x33.75 (1829x857)
WMOD843824	10/10	84.13x38.75x24.13 (2137x984x613)	72.00x33.75 (1829x857)

*Back panels are furnished with enclosures.

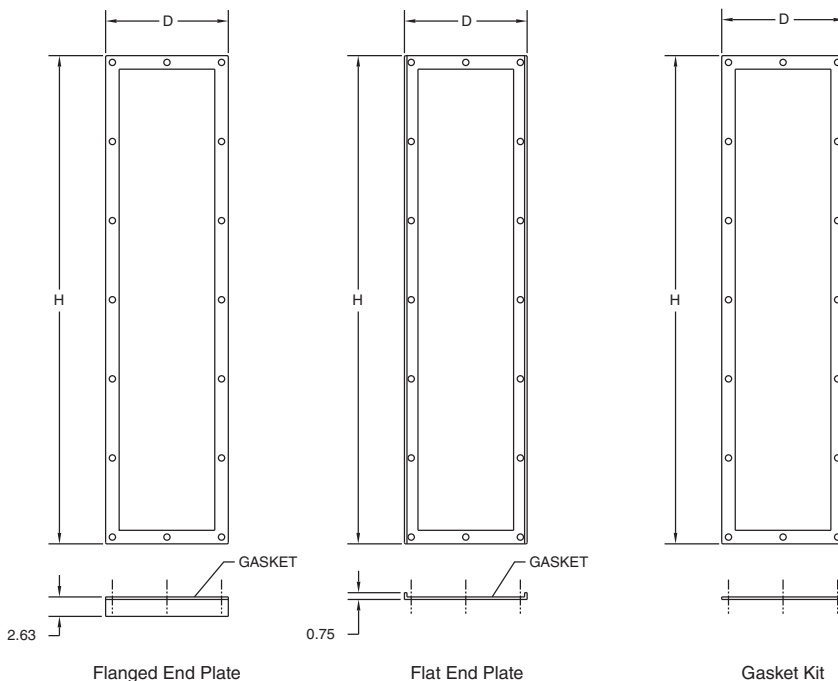
Single-Door Enclosure with left side open



Single-Door Enclosure with both sides open



ACCESSORIES FOR MODULAR WMOD SERIES NEMA 12 FLANGE-MOUNTED DISCONNECTS		
CATALOG NUMBER	BODY/DOOR STEEL GAUGE	SIZE H X D (SEE DRAWING BELOW)
WMOD7218EPT	Formed end plate with gasket and bolts	72.13x18.13 (1832x460)
WMOD7218FTPT	Flat end plate with gasket and bolts	72.00x18.50 (1829x470)
WMOD7218GK	Gasket kit with gasket and bolts	72.00x18.00 (1829x457)
WMOD8418EPT	Formed end plate with gasket and bolts	84.13x18.13 (2137x460)
WMOD8424EPT	Formed end plate with gasket and bolts	84.13x24.13 (2137x613)
WMOD8418FTPT	Flat end plate with gasket and bolts	84.00x18.50 (2134x470)
WMOD8424FTPT	Flat end plate with gasket and bolts	84.00x24.50 (2134x622)
WMOD8418GK	Gasket kit with gasket and bolts	84.00x18.00 (2134x457)
WMOD8424GK	Gasket kit with gasket and bolts	84.00x24.00 (2134x610)



End Plates

Used to seal open end(s) of an assembly of modular enclosures. End plates are available in two types:

- The 2.63" thick End Plates allow extra wiring space. The end plate includes a gasket and mounting bolts.
- The Flat End Plate provides a low profile cover for the open end of a modular enclosure. The flat end plate includes gasket and mounting bolts.

Gasket Kit

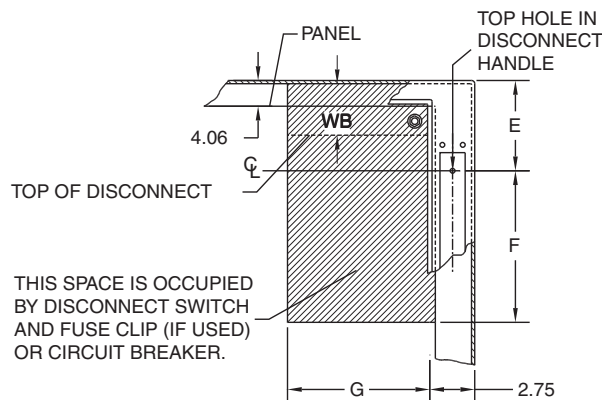
Used to join modular enclosures together, includes gasket and mounting hardware.

Space Occupied by Disconnect

Note:

1. See pages F51-F60 for various brands of disconnects for "E", "F", "G" and "WB" dimensions.
2. Disconnects will occupy space on panel shown by dimensions "E", "F" and "G". Wiring space "WB" is available when disconnect is installed in the enclosure.
3. When ordering 24.13 (613mm) deep enclosures, long connecting rods must be ordered. Long connecting rods are available from disconnect manufacturers.
 - ABB Controls flange-operated devices
 - Eaton Cutler-Hammer C361 devices
 - Eaton Cutler-Hammer C371 operating mechanisms C371E and C371F, order catalog number C371CS1 connecting rod. For C371G and C371K, order catalog number C371CS2 connecting rod.
 - General Electric TDA devices, order catalog number TDSR extended length drive rod
 - For Schneider Square D® 9422 devices, order catalog number 9422-R2 extra long operating rod(s). Some devices require two rods.

Refer to *National Electrical Code* article 430-10(b) for wiring space required for line side conductors to be connected to disconnect. Verify your application to determine if wiring space is adequate.



DISCONNECT ORDERING INFORMATION

When ordering wall-mounted disconnects from the various manufacturers, be sure to order all of the necessary items. Each company has a different system, so care is required. Order the following items from the disconnect manufacturer.

Allen-Bradley

When using a Bulletin 1494F flange-mounted disconnect switch, order:

1. A disconnect switch
2. A fuse block adapter, if required
3. Line and load connectors, if required

When using a Bulletin 1494D flange-mounted operator for a circuit breaker, order:

1. A circuit breaker
2. A flange-mounted operating mechanism
3. A slide mechanism

When using a Bulletin 1494V disconnect switch, order:

- *1. A disconnect switch
- *2. An operating handle
- *3. A connecting rod (long)
- *4. A trailer fuse block kit, if required
- *5. A fuse clip kit, if required
6. Line and load connectors, if required

When using a Bulletin 1494V circuit breaker operating mechanism, order:

1. A circuit breaker
2. A circuit breaker operating mechanism
3. An operating handle
4. A connecting rod (long)

ABB Controls

When using a disconnect switch, order:

1. A flange operated switch (fusible or non-fusible)
2. A shaft [DSFHS-17 for 18.12" (460mm) deep or DSFHS-22 for 20.12" (511mm) deep enclosures; in 24.12" (613mm) deep enclosures a platform must be used with shaft]
3. A handle (DSFHN-HS12)

When using a circuit breaker, order:

1. A circuit breaker (ABB)
- *2. An operating mechanism
- *3. A shaft [FHS-17 for 18.12" (460mm) deep or FHS-22 for 20.12" (511mm) deep enclosures; in 24.12" (613mm) deep enclosures a platform must be used with shaft]
- *4. Handle mechanism (FHN-HS12)

PLEASE NOTE:

1. Various other switch accessories and circuit breaker accessories are available from disconnect manufacturers. The above information is subject to change without notice. Please contact Hubbell-Wiegmann or the disconnect manufacturer if there are further questions.
2. The "Space Occupied" tables (pages F51-F60) are based upon information supplied by disconnect manufacturers. Hubbell-Wiegmann does not assume responsibility for the accuracy of these dimensions.

* Items available from disconnect manufacturer as complete kits.

Eaton Cutler-Hammer

When using a Type C361 disconnect switch, order:

- *1. A disconnect switch with an operating mechanism
- *2. An operating handle (C361H1 or C361H3)

When using a Type C371 circuit breaker operating mechanism with a C-H circuit breaker, order:

- *1. A circuit breaker
- *2. An operating mechanism
- *3. An operating handle

When using a Type SM handle mechanism, order:

1. A or circuit breaker
2. A type SM handle mechanism

When using a Flex Shaft™ handle mechanism, order:

1. A circuit breaker
2. A complete Flex Shaft™ handle mechanism

General Electric

When using a disconnect switch, order:

1. A disconnect switch (Type QMR or QMW)
2. A fuse clip kit or no-fuse kit
3. A flange handle (STDA1 or STDA2)
4. A variable depth operating mechanism
5. An extended length drive rod

When using a circuit breaker, order:

1. A circuit breaker
2. A flange handle (STDA1 or STDA2)
3. A variable depth operating mechanism
4. An extended length drive rod

When using a circuit breaker with a Spectra Flex™ cable operator, order:

1. A circuit breaker
2. A flange-mounted handle mechanism
3. A breaker-mounted mechanism
4. An operating cable

Siemens ITE Max-Flex™

When using a disconnect switch, order:

1. A basic switch (right-hand)
2. A fuse or no-fuse kit
- *3. FHOHS flange-mounted handle
- *4. Switch operator
- *5. FHOECO48 cable

When using a circuit breaker, order:

1. A circuit breaker
2. Pressure wire connectors
- *3. A flange-mounted handle
- *4. A circuit breaker operator mechanism
- *5. An operating cable [18.12" (460mm) deep or 20.12" (511mm) deep enclosures accept 36.00" (914mm) or 48.00" (1219mm) cables; 24.12" (613mm) deep enclosures require a 48.00" (1219mm) cable]

* These items are available from Siemens ITE Max-Flex™ as a complete mechanism with a 36.00" (914mm) operating cable only. Order items separately when using a 48.00" (1219mm) operating cable.

Schneider Square D®

When using a disconnect switch, order:

1. A disconnect switch with operating mechanism
2. A universal handle mechanism
3. A long operating rod, if required

When using a circuit breaker, order:

1. A circuit breaker
2. An operating mechanism
3. A universal handle mechanism
4. A long operating rod, if required

When using a Class 9422 Type "T" disconnect switch with a cable mechanism, order:

1. A disconnect switch with operating mechanism (Class 9422 Type T)
2. A handle mechanism (Class 9422 Type A-1)
3. A cable mechanism (Class 9422 CFT_O) 3-, 5-, or 10-foot

When using a circuit breaker with a cable mechanism, order:

1. A circuit breaker (Schneider Square D®)
2. A handle mechanism (Class 9422 Type A-1)
3. A cable mechanism (Class 9422 CFT_O) 3-, 5-, or 10-foot

WAX-SSN4 & WACPX-SSN4 ENCLOSURES NEMA 4X TWO DOOR FLOOR MOUNT DISCONNECT



WA72X7312SSN4

Industry Standards

UL 508, Types 4, 4X & 12
CSA Certified, Type 12
NEMA/EEMAC Types 4, 4X & 12
(UL 4 & 4X pending on CPX version)

 UL File E64791

 CSA File LL66078

FEATURES-SPECIFICATIONS

Applications

Enclosure having the "WM" preferred cutout are sized for use with up to 200A disconnect switches and up to 400A circuit breakers unless otherwise specified. The "WM" preferred cutout accepts the smaller operating handle whose mounting hole centers are 4.677 in. apart. "WM" preferred cutouts are standard in mild steel wall-mount enclosures, modular enclosures and some select large mild steel and standard stainless steel offerings.



"WM" PREFERRED
CUTOUT
for WAXSSN4 &
WACPXSSN4

"WM" preferred cutout are designed to house the following:

Allen-Bradley

- 1494V disconnect switches with flange-mount variable depth operating mechanisms and 1494V flange-mounted variable depth operating mechanisms for circuit breakers
 - 140U flexible cable operating mechanisms and 140U molded case circuit breakers
 - 1494C cable-operated disconnect switches with flange-mount handles
 - 194RC cable-operated flange-mount handles for use with the NFPA 79 compliant 194R IEC rotary disconnect switches
- Allen-Bradley 1494V-R1, -R2 and -W2 operating handles and Allen-Bradley 1494F disconnect devices or 1494D circuit breaker operators will NOT fit these enclosures.*
- ABB Controls flange-mounted variable depth operating mechanisms for disconnect switches and circuit breakers. Also the cable version for circuit breakers.
 - Eaton Cutler-Hammer Type C361 flange-mount variable depth operating mecha-

nisms with disconnect switches and Type C371 flange-mount variable-depth operating mechanisms for circuit breakers.

- General Electric Type STDA flange handles and variable depth operating mechanisms for disconnect switches and circuit breakers. Also Spectra Flex™ cable operators for circuit breakers
- Siemens ITE Max-Flex™ flange-mounted variable depth operating handles for circuit breakers
- Schneider Square D® Class 9422 disconnect switches with flange-mounted variable depth operating mechanisms or cable mechanisms and Class 9422 flange-mount variable-depth operating mechanism or cable mechanisms for circuit breakers.

These enclosures will not accept Schneider Square D® Class 9422 bracket-mounted disconnect devices, Class 9422TG1 or TG2 devices.

All 24.12 in. and deeper enclosures using short connecting rods by the following manufacturers

- ABB Controls flange-operated devices
- Eaton Cutler-Hammer C361 devices
- Eaton Cutler-Hammer C371 mechanisms which use C371E, F, G, K operating mechanism (see Disconnect Enclosure Accessories)
- General Electric Type TDA devices (see Disconnect enclosure Accessories)
- Schneider Square D Class 9422 devices (see Disconnect enclosure Accessories)

Require long connecting rods ordered in place of short connecting rods.

- For Eaton Cutler-Hammer operating mechanisms C371E and C371F order catalog number C371CS1 connecting rod. For C371G and C371K order catalog number C371CS2 connecting rod.

- For General Electric devices, order catalog number TDSR extended length drive rod
- For Schneider Square D devices, order catalog number 9422-R2 extra long operating rod(s). Some devices require two rods.

IMPORTANT Ordering Information

- Disconnect switch or circuit breakers, operating handle and operating mechanism are **not** furnished with the enclosure and must be ordered separately from the disconnect manufacturer
- Disconnect ordering information is located on page F50
- Review space occupied by disconnect drawings on page F46 and disconnect tables on pages F51-F60 to determine if the disconnect device you are using will fit the enclosure size you have selected

Construction

- Bodies and doors fabricated from 12 & 10 gauge 304 stainless steel.
- Continuously welded seams ground smooth
- Body stiffeners provided for extra rigidity
- Heavy gauge continuous hinges to secure doors
- Heavy duty 3-PT 316L SS padlocking handles on all doors
- Print pocket is provided
- 15-inch floor stands are welded to enclosure
- Doors are sealed with polyurethane poured-in-place gasket
- Heavy duty lifting eyes and provisions for fluorescent lighting are provided
- Panel supports
- Collar studs are provided for mounting optional sub panels
- Grounding provisions provided

**WAX-SSN4 & WACPX-SSN4 ENCLOSURES
NEMA 4X TWO DOOR FLOOR MOUNT DISCONNECT**

- Unless specified, the right door in considered to be the “master” door on the “Right Flange” mount enclosures and the left door is the “master” door on the “Center Post” mount enclosures.
- A mechanical interlock is provided and prevents the slave door from opening before opening the master door
- Disconnects come with a universal cutout which provides mounting for most

disconnects operators by using operator adapters

- Removable center post permits easy panel installation

Finish

- Except for back, exterior has standard grained finish, interior has standard commercial finish

- Optional back panels are white polyester powder over phosphatized surfaces
- Optional “G” panels have a conductive finish

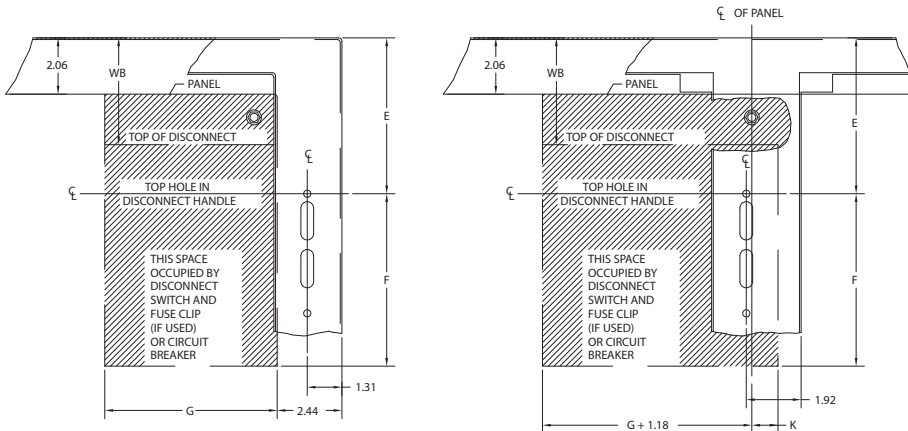
Accessories

- See pages J1-J22
- Blank adapter plates on pages F61

WAX-SSN4 ENCLOSURES NEMA 4X TWO DOOR RIGHT FLANGE DISCONNECT				
CATALOG NUMBER	ENCLOSURE SIZE H X W X D	BACKPANEL CATALOG NUMBER*		BACKPANEL SIZE A X B
		WHITE	“G”	
WA60X4912SSN4	60.12x49.75x12.12 (1527x1264x308)	NPDD6048	NPDD6048G	56.00x44.00 (1422x1118)
WA60X4918SSN4	60.12x49.75x18.12 (1527x1264x460)	NPDD6048	NPDD6048G	56.00x44.00 (1422x1118)
WA60X6112SSN4	60.12x61.75x12.12 (1527x1568x308)	NPDD6060	NPDD6060G	56.00x56.00 (1422x1422)
WA60X6118SSN4	60.12x61.75x18.12 (1527x1568x460)	NPDD6060	NPDD6060G	56.00x56.00 (1422x1422)
WA72X6112SSN4	72.12x61.75x12.12 (1832x1568x308)	NPDD7260	NPDD7260G	68.00x56.00 (1727x1422)
WA72X6118SSN4	72.12x61.75x18.12 (1832x1568x460)	NPDD7260	NPDD7260G	68.00x56.00 (1727x1422)
WA72X7312SSN4	72.12x73.75x12.12 (1832x1873x308)	NPDD7272	NPDD7272G	68.00x68.00 (1727x1727)
WA72X7318SSN4	72.12x73.75x18.12 (1832x1873x460)	NPDD7272	NPDD7272G	68.00x68.00 (1727x1727)
WA72X7324SSN4	72.12x73.75x24.12 (1832x1873x613)	NPDD7272	NPDD7272G	68.00x68.00 (1727x1727)

WACPX-SSN4 ENCLOSURES NEMA 4X TWO DOOR CENTERPOST FLOOR MOUNT DISCONNECT				
CATALOG NUMBER	ENCLOSURE SIZE H X W X D	BACKPANEL CATALOG NUMBER*		BACKPANEL SIZE A X B
		WHITE	“G”	
WA60CPX4812SSN4	60.12x48.50x12.12 (1527x1273x308)	NPDD6048	NPDD6048G	56.00x44.00 (1422x1118)
WA60CPX6012SSN4	60.12x60.50x12.12 (1527x1273x308)	NPDD6060	NPDD6060G	56.00x56.00 (1422x1422)
WA72CPX7212SSN4	72.12x72.50x12.12 (1832x1273x308)	NPDD7272	NPDD7272G	68.00x68.00 (1728x1728)
WA72CPX7218SSN4	72.12x72.50x18.12 (1832x1273x460)	NPDD7272	NPDD7272G	68.00x68.00 (1728x1728)

*Back panels must be ordered separately. Panels are made from 10 gauge steel.



“WAX-SSN4” Style Enclosures

“WACPX-SSN4” Style Enclosures

Note:

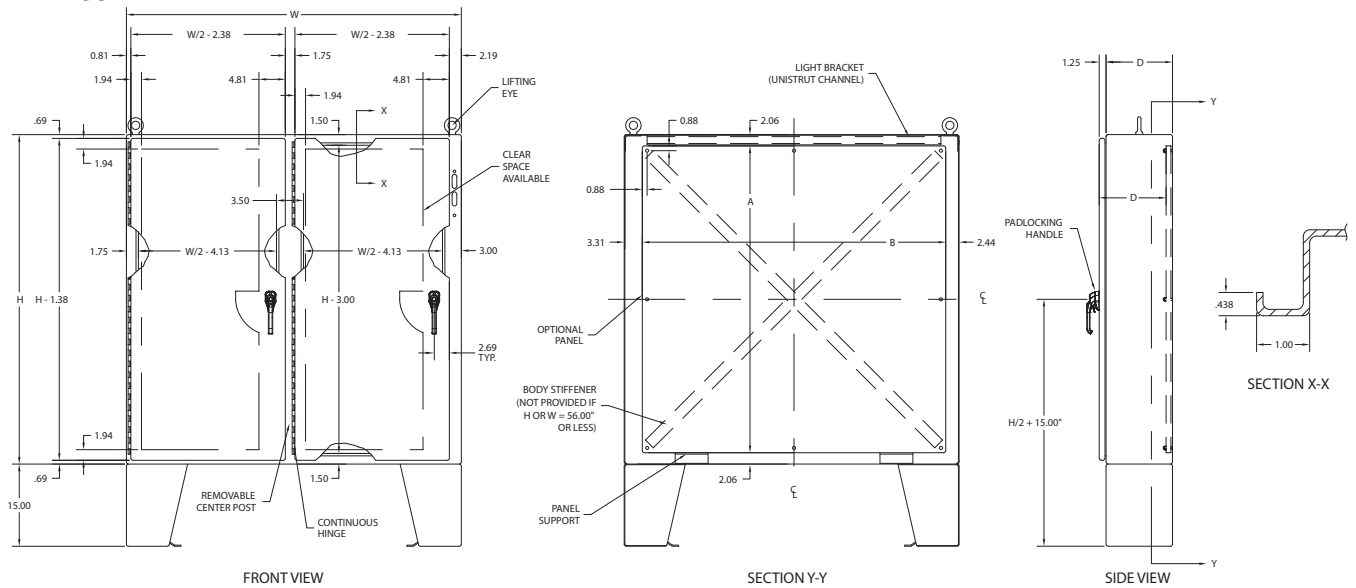
1. See pages F51-F60 for various brands of disconnects for “E”; “F”; “G”; “K” and “WB” dimensions.
2. Disconnects will occupy space on panel shown by dimensions “E”, “F”, “G” and “K”. Wiring space “WB” is available when disconnect is installed in the enclosure.
3. When ordering 24.13 (613mm) deep enclosures, long connecting rods must be ordered. Long connecting rods are available from disconnect manufacturers.
 - ABB Controls flange-operated devices
 - Eaton Cutler-Hammer C361 devices
 - Eaton Cutler-Hammer C371 operating mechanisms C371E and C371F, order catalog number C371CS1 connecting rod. For C371G and C371K, order catalog number C371CS2 connecting rod.
 - General Electric TDA devices, order catalog number TDSR extended length drive rod
 - For Schneider Square D® 9422 devices, order catalog number 9422-R2 extra long operating rod(s). Some devices require two rods.

Refer to *National Electrical Code*® article 430-10(b) for wiring space required for line side conductors to be connected to disconnect. Verify your application to determine if wiring space is adequate.

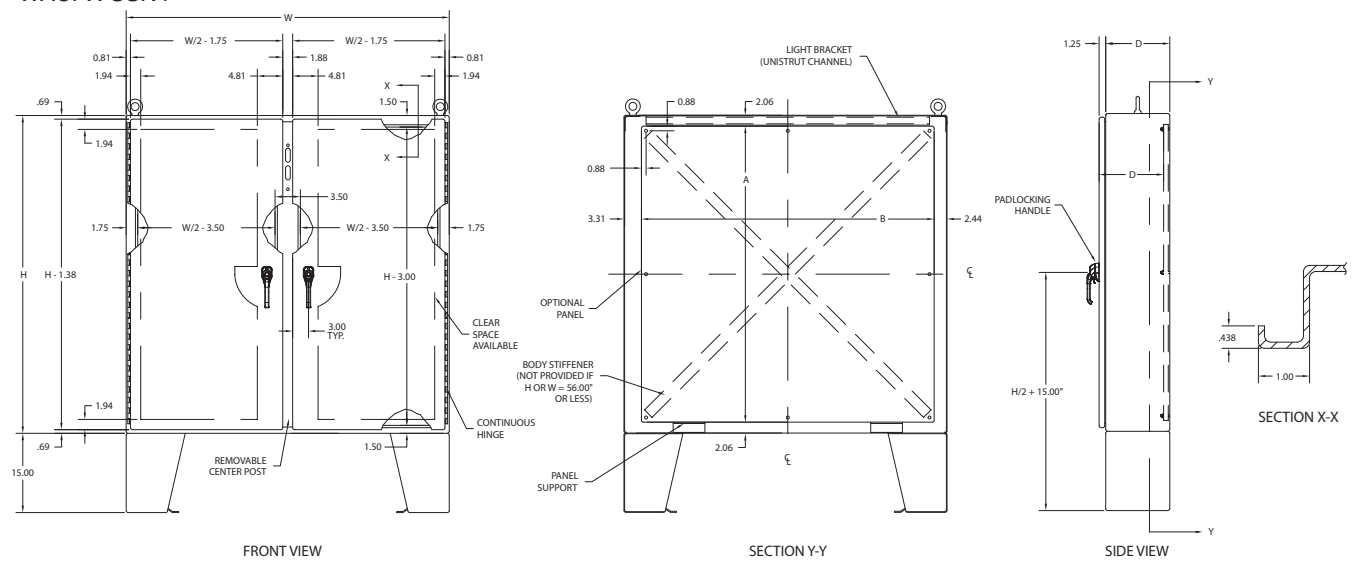
**WAX-SSN4 & WACPX-SSN4 ENCLOSURES
NEMA 4X TWO DOOR FLOOR MOUNT DISCONNECT**

F47

WAX-SSN4



WACPX-SSN4



**WAXM-SSN4 ENCLOSURES
NEMA 4X TWO DOOR FLOOR MOUNT DISCONNECT**



WA72XM2818SSN4

Industry Standards

UL 508, Type 3R, 4, 4X & 12
CSA Certified, Type 12
NEMA/EEMAC Type 3R, 4, 4X & 12
Single Door Rating Pending UL (Ref: 4 & 4X)

 UL File E64791

 CSA File LL66078

FEATURES-SPECIFICATIONS

Applications

Enclosure having the "WM" preferred cutout are sized for use with up to 200A disconnect switches and up to 400A circuit breakers unless otherwise specified. The "WM" preferred cutout accepts the smaller operating handle whose mounting hole centers are 4.677 in. apart. "WM" preferred cutouts are standard in mild steel wall-mount enclosures, modular enclosures and some select large mild steel and standard stainless steel offerings.



**"WM" PREFERRED CUTOUT
WAXM-SSNR**

See Page F45 for Allen-Bradley, ABB, Eaton Cutler Hammer, General Electric, Siemens ITE & Schneider Square D options.

IMPORTANT Ordering Information

- Disconnect switch or circuit breakers, operating handle and operating mechanism are **not** furnished with the enclosure and must be ordered separately from the disconnect manufacturer
- Disconnect ordering information is located on page F50
- Review space occupied by disconnect drawings on page F30 and disconnect tables on pages F51-F60 to determine if the disconnect device you are using will fit the enclosure size you have selected

Construction

- Bodies and doors fabricated from 12 & 10 gauge 304 stainless steel.

- Removable 10 gauge steel back panels are included and mounted on collar studs
- Continuously welded seams ground smooth
- Body stiffeners provided for extra rigidity
- Heavy gauge continuous hinges to support each door
- Heavy duty lifting eyes and provisions for fluorescent lighting are provided
- 3-PT 316L SS padlocking handles on all doors
- Panel supports
- Center posts are removable to permit easy panel installation
- Print pocket is provided
- Grounding provisions provided
- Doors are sealed with polyurethane poured-in-place gasket
- Unless specified, the far right door in considered to be the "master" door. All other doors are considered slave doors.
- The mechanical interlock is activated by the master door which prevents the slave doors from being opened first. Doors can be closed in any order
- Disconnects come with a universal cutout which provides mounting for most disconnect operators by using operator adapters

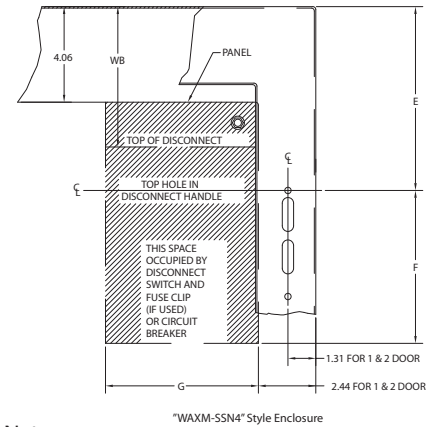
Finish

- Except for back, exterior has a standard grained finish
- Included back panels are white polyester powder over phosphatized surfaces

Accessories

- See pages J1-J22
- Back panels (see reference tables)

Space Occupied by Disconnect



Note:

1. See pages F51-F60 for various brands of disconnects for "E", "F", "G" and "WB" dim.
2. Disconnects will occupy space on panel shown by dimensions "E", "F" and "G". Wiring space "WB" is available when disconnect is installed in the enclosure.
3. When ordering 24.13 (613mm) deep enclosures, long connecting rods must be ordered. Long connecting rods are available from disconnect manufacturers.
 - ABB Controls flange-operated devices
 - Eaton Cutler-Hammer C361 devices
 - Eaton Cutler-Hammer C371 operating mechanisms C371E and C371F, order catalog number C371CS1 connecting rod. For C371G and C371K, order catalog number C371CS2 connecting rod.
 - General Electric TDA devices, order catalog number TDSR extended length drive rod
 - For Schneider Square D® 9422 devices, order catalog number 9422-R2 extra long operating rod(s). Some devices require two rods.

Refer to National Electrical Code® article 430-10(b) for wiring space required for line side conductors to be connected to disconnect. Verify your application to determine if wiring space is adequate.

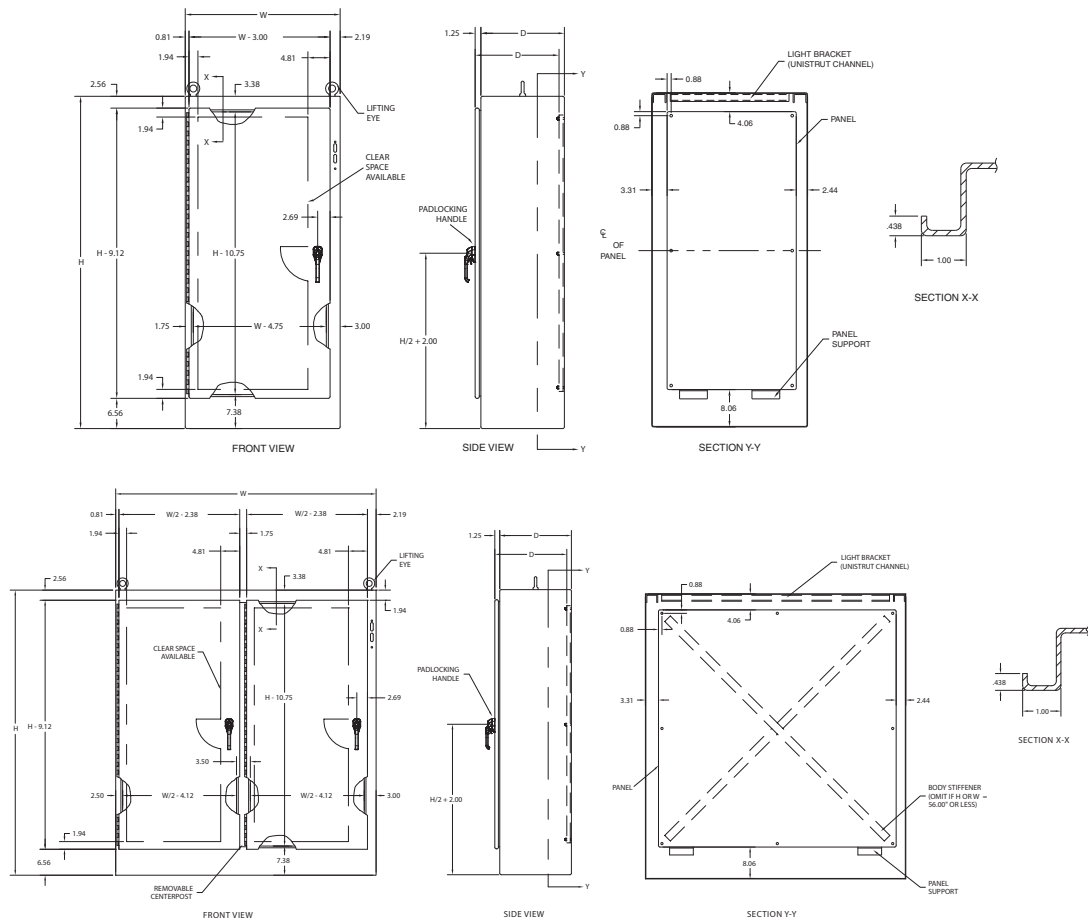
WAXM-SSN4 SERIES ENCLOSURES NEMA 4X RIGHT FLANGE SINGLE & DOUBLE DOOR FREESTANDING DISCONNECT

F49

WAXM-SSN4 ENCLOSURES NEMA 4X ONE DOOR RIGHT FLANGE FREESTANDING HANDLE DISCONNECT		
CATALOG NUMBER	SIZE H X W X D	BACK PANEL SIZE A X B
WA72XM2718SSN4	72.12x27.50x18.12 (1832x718x460)	60.00x21.75 (1524x552)
WA72XM3318SSN4	72.12x33.50x18.12 (1832x870x460)	60.00x27.75 (1524x705)
WA72XM3918SSN4	72.12x39.50x18.12 (1832x1022x460)	60.00x33.75 (1524x857)
WA84XM3918SSN4	84.12x39.50x18.12 (2137x1022x460)	72.00x33.75 (1829x857)
WA84XM3924SSN4	84.12x39.50x24.12 (2137x1022x613)	78.00x33.75 (1981x857)
WA90XM3918SSN4	90.12x40.25x18.12 (2289x1022x460)	79.00x33.75 (2007x857)
WA90XM3920SSN4	90.12x40.25x20.12 (2289x1022x511)	80.00x33.75 (2032x857)
WA90XM3924SSN4	90.12x40.25x24.12 (2289x1022x613)	81.00x33.75 (2057x857)

WA-XM-SSN4 ENCLOSURES NEMA 4X TWO DOOR RIGHT FLANGE FREESTANDING DISCONNECT		
CATALOG NUMBER	BODY/DOOR 304 SS	BACK PANEL SIZE A X B
WA72XM5318SSN4	72.12x53.75x18.12 (1832x1384x460)	60.00x48.00 (1524x1219)
WA72XM6518SSN4	72.12x65.75x18.12 (1832x1689x460)	60.00x60.00 (1524x1524)
WA72XM7718SSN4	72.12x77.75x18.12 (1832x1994x460)	60.00x72.00 (1524x1829)
WA72XM7724SSN4	72.12x77.75x24.12 (1832x1994x613)	60.00x72.00 (1524x1829)
WA84XM7718SSN4	84.12x77.75x18.12 (2137x1022x460)	72.00x72.00 (1829x1829)
WA84XM7724SSN4	84.12x77.75x24.12 (2137x1022x613)	72.00x72.00 (1829x1829)
WA90XM7718SSN4	90.12x77.75x18.12 (2289x1994x460)	78.00x72.00 (1981x1829)
WA90XM7720SSN4	90.12x77.75x20.12 (2289x1994x511)	78.00x72.00 (1981x1829)
WA90XM7724SSN4	90.12x77.75x24.12 (2289x1994x613)	78.00x72.00 (1981x1829)

*Back panels must be ordered separately. Panels are made from 10 gauge steel.



DISCONNECT ORDERING INFORMATION

When ordering wall-mounted disconnects from the various manufacturers, be sure to order all of the necessary items. Each company has a different system, so care is required. Order the following items from the disconnect manufacturer.

Allen-Bradley

When using a Bulletin 1494F flange-mounted disconnect switch, order:

1. A disconnect switch
2. A fuse block adapter, if required
3. Line and load connectors, if required

When using a Bulletin 1494D flange-mounted operator for a circuit breaker, order:

1. A circuit breaker
2. A flange-mounted operating mechanism
3. A slide mechanism

When using a Bulletin 1494V disconnect switch, order:

- *1. A disconnect switch
- *2. An operating handle
- *3. A connecting rod (long)
- *4. A trailer fuse block kit, if required
- *5. A fuse clip kit, if required
6. Line and load connectors, if required

When using a Bulletin 1494V circuit breaker operating mechanism, order:

1. A circuit breaker
2. A circuit breaker operating mechanism
3. An operating handle
4. A connecting rod (long)

ABB Controls

When using a disconnect switch, order:

1. A flange operated switch (fusible or non-fusible)
2. A shaft [DSFHS-17 for 18.12" (460mm) deep or DSFHS-22 for 20.12" (511mm) deep enclosures; in 24.12" (613mm) deep enclosures a platform must be used with shaft]
3. A handle (DSFHN-HS12)

When using a circuit breaker, order:

1. A circuit breaker (ABB)
- *2. An operating mechanism
- *3. A shaft [FHS-17 for 18.12" (460mm) deep or FHS-22 for 20.12" (511mm) deep enclosures; in 24.12" (613mm) deep enclosures a platform must be used with shaft]
- *4. Handle mechanism (FHN-HS12)

PLEASE NOTE:

1. Various other switch accessories and circuit breaker accessories are available from disconnect manufacturers. The above information is subject to change without notice. Please contact Hubbell-Wiegmann or the disconnect manufacturer if there are further questions.
2. The "Space Occupied" tables (pages F51-F60) are based upon information supplied by disconnect manufacturers. Hubbell-Wiegmann does not assume responsibility for the accuracy of these dimensions.

* Items available from disconnect manufacturer as complete kits.

Eaton Cutler-Hammer

When using a Type C361 disconnect switch, order:

- *1. A disconnect switch with an operating mechanism
- *2. An operating handle (C361H1 or C361H3)

When using a Type C371 circuit breaker operating mechanism with a C-H circuit breaker, order:

- *1. A circuit breaker
- *2. An operating mechanism
- *3. An operating handle

When using a Type SM handle mechanism, order:

1. A circuit breaker
2. A type SM handle mechanism

When using a Flex Shaft™ handle mechanism, order:

1. A circuit breaker
2. A complete Flex Shaft™ handle mechanism

General Electric

When using a disconnect switch, order:

1. A disconnect switch (Type QMR or QMW)
2. A fuse clip kit or no-fuse kit
3. A flange handle (STDA1 or STDA2)
4. A variable depth operating mechanism
5. An extended length drive rod

When using a circuit breaker, order:

1. A circuit breaker
2. A flange handle (STDA1 or STDA2)
3. A variable depth operating mechanism
4. An extended length drive rod

When using a circuit breaker with a Spectra Flex™ cable operator, order:

1. A circuit breaker
2. A flange-mounted handle mechanism
3. A breaker-mounted mechanism
4. An operating cable

Siemens ITE Max-Flex™

When using a disconnect switch, order:

1. A basic switch (right-hand)
2. A fuse or no-fuse kit
- **3. FHOHS flange-mounted handle
- **4. Switch operator
- **5. FHOECO48 cable

When using a circuit breaker, order:

1. A circuit breaker
2. Pressure wire connectors
- **3. A flange-mounted handle
- **4. A circuit breaker operator mechanism
- **5. An operating cable [18.12" (460mm) deep or 20.12" (511mm) deep enclosures accept 36.00" (914mm) or 48.00" (1219mm) cables; 24.12" (613mm) deep enclosures require a 48.00" (1219mm) cable]

** These items are available from Siemens ITE Max-Flex™ as a complete mechanism with a 36.00" (914mm) operating cable only. Order items separately when using a 48.00" (1219mm) operating cable.

Schneider Square D®

When using a disconnect switch, order:

1. A disconnect switch with operating mechanism
2. A universal handle mechanism
3. A long operating rod, if required

When using a circuit breaker, order:

1. A circuit breaker
2. An operating mechanism
3. A universal handle mechanism
4. A long operating rod, if required

When using a Class 9422 Type "T" disconnect switch with a cable mechanism, order:

1. A disconnect switch with operating mechanism (Class 9422 Type T)
2. A handle mechanism (Class 9422 Type A-1)
3. A cable mechanism (Class 9422 CFT_O) 3-, 5-, or 10-foot

When using a circuit breaker with a cable mechanism, order:

1. A circuit breaker (Schneider Square D®)
2. A handle mechanism (Class 9422 Type A-1)
3. A cable mechanism (Class 9422 CFT_O) 3-, 5-, or 10-foot

**FLOOR-MOUNT • FREESTANDING • MODULAR SERIES ENCLOSURES
DISCONNECT SPACE OCCUPIED & AVAILABLE WIRING SPACE INFORMATION**

ALLEN-BRADLEY TYPE 1494F DISCONNECT SWITCHES†											
							WIRE BEND SPACE "WB" ABOVE DISCONNECT				
							TWO DOOR FLOOR-MOUNT (PAGES F28-F29 & F45-F46)		FREESTANDING & MODULAR (PAGES F32-F49)		
TYPE NUMBER	AMP RATING	FUSE CLIP	FUSE CLASS	SPACE OCCUPIED			WHEN H=60.12 WB	WHEN H=72.12 WB	WHEN H=72.12 WB	WHEN H=84.12 WB	WHEN H=90.12 WB
				F	G*	K					
N30	30A	No fuse	—	4.62	6.50	0.99	5.31	11.31	9.31	15.31	18.31
NF30	30A	30A-250V	H, K, R	6.50	6.50	0.99	5.31	11.31	9.31	15.31	18.31
NF30	30A	60A-250V	H, K, R	7.25	6.50	0.99	5.31	11.31	9.31	15.31	18.31
NF30	30A	30A-600V	H, K, R	9.25	6.50	0.99	5.31	11.31	9.31	15.31	18.31
NF30	30A	60A-600V	H, K, R	9.75	6.50	0.99	5.31	11.31	9.31	15.31	18.31
NF30	30A	30A-600V	J	6.50	6.50	0.99	5.31	11.31	9.31	15.31	18.31
NF30	30A	60A-600V	J	6.62	6.50	0.99	5.31	11.31	9.31	15.31	18.31
N60	60A	No fuse	—	4.62	6.50	0.99	4.62	10.62	8.62	14.62	17.62
NF60	60A	30A-600V	H, K, R	10.38	6.50	0.99	4.62	10.62	8.62	14.62	17.62
NF60	60A	60A-250V	H, K, R	8.38	6.50	0.99	4.62	10.62	8.62	14.62	17.62
NF60	60A	100A-250V	H, K, R	10.88	6.50	0.99	4.62	10.62	8.62	14.62	17.62
NF60	60A	60A-600V	H, K, R	10.88	6.50	0.99	4.62	10.62	8.62	14.62	17.62
NF60	60A	100A-600V	H, K, R	12.88	6.62	0.99	4.62	10.62	8.62	14.62	17.62
NF60	60A	60A-600V	J	7.75	6.50	0.99	4.62	10.62	8.62	14.62	17.62
NF60	60A	100A-600V	J	9.75	6.50	0.99	4.62	10.62	8.62	14.62	17.62
N100	100A	No fuse	—	4.62	7.25	0.99	—	8.75	6.75	12.75	15.75
NF100	100A	100A-250V	H, K, R	11.38	7.38	0.99	—	8.75	6.75	12.75	15.75
NF100	100A	200A-250V	H, K, R	12.25	7.62	0.99	—	8.75	6.75	12.75	15.75
NF100	100A	100A-600V	H, K, R	13.38	7.50	0.99	—	8.75	6.75	12.75	15.75
NF100	100A	200A-600V	H, K, R	14.75	7.75	0.99	—	8.75	6.75	12.75	15.75
NF100	100A	100A-600V	J	10.12	7.38	0.99	—	8.75	6.75	12.75	15.75
NF100	100A	200A-600V	J	10.88	7.50	0.99	—	8.75	6.75	12.75	15.75
N200	200A	No fuse	—	7.12	10.38	1.06	—	7.12	5.12	11.12	14.12
NF200	200A	200A-250V	H, K, R	15.00	10.38	1.06	—	7.12	5.12	11.12	14.12
NF200	200A	400A-250V	H, K, R	16.56	10.75	1.06	—	7.12	5.12	11.12	14.12
NF200	200A	200A-600V	H, K, R	17.56	10.38	1.06	—	7.12	5.12	11.12	14.12
NF200	200A	400A-600V	H, K, R	19.56	11.00	1.06	—	7.12	5.12	11.12	14.12
NF200	200A	200A-600V	J	13.69	10.38	1.06	—	7.12	5.12	11.12	14.12
NF200	200A	400A-600V	J	15.00	10.62	1.06	—	7.12	5.12	11.12	14.12

ALLEN-BRADLEY TYPE 1494D OPERATORS FOR CIRCUIT BREAKERS†											
							WIRE BEND SPACE "WB" ABOVE DISCONNECT				
							TWO DOOR FLOOR-MOUNT (PAGES F28-F29 & F45-F46)		FREESTANDING & MODULAR (PAGES F32-F49)		
TYPE NUMBER	AMP RATING	CIRCUIT BREAKER TYPE FRAME SIZE	SPACE OCCUPIED			WHEN H=60.12 WB	WHEN H=72.12 WB	WHEN H=72.12 WB	WHEN H=84.12 WB	WHEN H=90.12 WB	
			F	G*	K						
N4/N40	150A	EHD, FD, FDB, FDC, HFD, HMCP	5.81	4.56	0.99	5.25	11.25	9.25	15.25	18.15	
N5/N55	225A	General Electric TFK, THFK, TFC	8.81	4.75	0.99	4.44	10.44	8.44	14.44	17.44	
N5/N50	250A	JD, JDB, JDC, HJD, HMCP	8.81	4.75	0.99	4.44	10.44	8.44	14.44	17.44	
N5/N60	400A	KD, KDB, KDC, HKD, HMCP	8.81	5.88	0.99	—	10.50	8.50	14.50	17.50	

*The "G" dimension does not include space for auxiliary switches. See Allen-Bradley instructions for additional space required.

†For Two Door Floor-Mount NEMA 12 (Pages F28-F29 & F45-F46) "E" = 5.88 when "H" = 60.12
"E" = 11.38 when "H" = 72.12, except 200A switches
"E" = 10.06 when "H" = 72.12, 200A switches only

For Heavy Duty Freestanding and Modular Enclosures (Pages F32 - F49) "E" = 9.88 when "H" = 72.12, except 200A switch "E" = 8.56 when "H" = 72.12, 200A switch
"E" = 15.38 when "H" = 84.12, except 200A switch "E" = 14.06 when "H" = 84.12, 200A switch
"E" = 18.38 when "H" = 90.12, except 200A switch "E" = 17.06 when "H" = 90.12, 200A switch

**FLOOR-MOUNT • FREESTANDING • MODULAR SERIES ENCLOSURES
DISCONNECT SPACE OCCUPIED & AVAILABLE WIRING SPACE INFORMATION**

ALLEN-BRADLEY TYPE 1494V DISCONNECT SWITCHES†							WIRE BEND SPACE "WB" ABOVE DISCONNECT				
TYPE NUMBER	AMP RATING	FUSE CLIP	FUSE CLASS	SPACE OCCUPIED			TWO DOOR FLOOR-MOUNT (PAGES F28-F29 & F45-F46)		FREESTANDING & MODULAR (PAGES F32-F49)		
				F	G*	K	WHEN H=60.12 WB	WHEN H=72.12 WB	WHEN H=72.12 WB	WHEN H=84.12 WB	WHEN H=90.12 WB
DS30	30A	No fuse	—	3.88	6.75	0.56	5.85	11.85	9.85	15.85	18.85
DS30	30A	30A-250V	H, K, R	5.25	6.75	0.56	5.85	11.85	9.85	15.85	18.85
DS30	30A	30A-600V	H, K, R	8.00	6.75	0.56	5.85	11.85	9.85	15.85	18.85
DS30	30A	30A-600V	J	5.25	6.75	0.56	5.85	11.85	9.85	15.85	18.85
DS30	30A	60A-250V	H, K	6.00	6.75	0.56	5.85	11.85	9.85	15.85	18.85
DS30	30A	60A-600V	H, K	8.50	6.75	0.56	5.85	11.85	9.85	15.85	18.85
DS30	30A	60A-600V	J	5.38	6.75	0.56	5.85	11.85	9.85	15.85	18.85
DS60	60A	No fuse	—	3.88	6.75	0.56	5.08	11.08	9.08	15.08	18.08
DS60	60A	60A-250V	H, K, R	6.00	6.75	0.56	5.08	11.08	9.08	15.08	18.08
DS60	60A	60A-600V	H, K, R	8.50	6.75	0.56	5.08	11.08	9.08	15.08	18.08
DS60	60A	60A-600V	J	5.38	6.75	0.56	5.08	11.08	9.08	15.08	18.08
DS60	60A	30A-600V	H, K, R	8.00	6.75	0.56	5.08	11.08	9.08	15.08	18.08
DS60	60A	100A-250V	H, K	8.50	6.75	0.56	5.08	11.08	9.08	15.08	18.08
DS60	60A	100A-600V	H, K	10.50	6.75	0.56	5.08	11.08	9.08	15.08	18.08
DS60	60A	100A-600V	J	7.25	6.75	0.56	5.08	11.08	9.08	15.08	18.08
DS100**	100A	No fuse	—	3.88	6.75	0.56	4.89	10.89	8.89	14.89	17.89
DS100**	100A	100A-250V	H, K, R	8.12	6.75	0.56	4.89	10.89	8.89	14.89	17.89
DS100**	100A	100A-600V	H, K, R	10.12	6.75	0.56	4.89	10.89	8.89	14.89	17.89
DS100**	100A	100A-600V	J	6.80	6.75	0.56	4.89	10.89	8.89	14.89	17.89
DS100**	100A	60A-600V	H, K, R	10.12	6.75	0.56	4.89	10.89	8.89	14.89	17.89
DS100**	100A	60A-600V	J	8.88	6.75	0.56	4.89	10.89	8.89	14.89	17.89
DS200**	200A	No fuse	—	4.75	8.00	0.56	4.34	10.34	8.34	14.34	17.34
DS200**	200A	200A-250V	H, K, R	10.88	8.00	0.56	4.34	10.34	8.34	14.34	17.34
DS200**	200A	200A-600V	H, K, R	13.88	8.00	0.56	4.34	10.34	8.34	14.34	17.34
DS200**	200A	200A-600V	J	9.50	8.00	0.56	4.34	10.34	8.34	14.34	17.34
DS200**	200A	100A-600V	H, K, R	12.00	8.00	0.56	4.34	10.34	8.34	14.34	17.34
DS200**	200A	100A-600V	J	8.75	8.00	0.56	4.34	10.34	8.34	14.34	17.34
DS400	400A	No fuse	—	10.75	11.00	—	—	—	—	10.14	13.14
DS400	400A	400A-250V	H, K, R	16.12	11.00	—	—	—	—	10.14	13.14
DS400	400A	400A-600V	H, K, R	19.12	11.00	—	—	—	—	10.14	13.14
DS400	400A	400A-600V	J	14.62	11.00	—	—	—	—	10.14	13.14
DS600	600A	No fuse	—	10.75	11.00	—	—	—	—	10.14	13.14
DS600***	600A	600A-250V	H, R	10.75	11.00	—	—	—	—	10.14	13.14
DS600***	600A	600A-600V	H, R	10.75	11.00	—	—	—	—	10.14	13.14
DS600	600A	600A-600V	J	17.59	11.00	—	—	—	—	10.14	13.14

* The "G" dimension does not include space for auxiliary switches. See Allen-Bradley instructions for additional space required.

** Series B

*** "F" and "G" do not include separately mounted fuse block.

†For Two Door Floor-Mount NEMA 12 (Pages F28-F29 & F45-F46) "E" = 7.88 when "H" = 60.12
"E" = 13.38 when "H" = 72.12

For Heavy Duty Freestanding and Modular Enclosures (Pages F32 - F49) "E" = 11.88 when "H" = 72.12
"E" = 17.38 when "H" = 84.12, except 400A or 600A switches
"E" = 20.38 when "H" = 90.12, except 400A or 600A switches
"E" = 15.93 when "H" = 84.12, 400A and 600A switches only
"E" = 18.93 when "H" = 90.12, 400A and 600A switches only

**FLOOR-MOUNT • FREESTANDING • MODULAR SERIES ENCLOSURES
DISCONNECT SPACE OCCUPIED & AVAILABLE WIRING SPACE INFORMATION**

ALLEN-BRADLEY TYPE 1494V OPERATORS FOR CIRCUIT BREAKERS†										
						WIRE BEND SPACE "WB" ABOVE DISCONNECT				
						TWO DOOR FLOOR-MOUNT (PAGES F28-F29 & F45-F46)		FREESTANDING & MODULAR (PAGES F32-F49)		
TYPE NUMBER	AMP RATING	CIRCUIT BREAKER TYPE FRAME SIZE	SPACE OCCUPIED			WHEN H=60.12 WB	WHEN H=72.12 WB	WHEN H=72.12 WB	WHEN H=84.12 WB	WHEN H=90.12 WB
			F	G*	K					
M40	15A-150A	EHD, FD, FDB, FDC, HFD, HMCP	5.00	4.62	0.56	7.25	13.25	11.25	17.25	20.25
M50	70A-250A	JD, JDB, JDC, HJD, HMCP	9.75	4.88	0.56	6.81	12.81	10.81	16.81	19.81
M60	100A-400A	KD, KDB, KDC, HKD, HMCP	9.69	6.25	0.56	—	12.62	10.62	16.62	19.62

*The "G" dimension does not include space for auxiliary switches. See Allen-Bradley instructions for additional space required.

†For Two Door Floor-Mount NEMA 12 (Pages F28-F29 & F45-F46) "E" = 7.88 when "H" = 60.12
"E" = 13.38 when "H" = 72.12

For Heavy Duty Freestanding and Modular Enclosures (Pages F32 - F49) "E" = 11.88 when "H" = 72.12
"E" = 17.38 when "H" = 84.12, except 400A or 600A switches
"E" = 20.38 when "H" = 90.12, except 400A or 600A switches
"E" = 15.93 when "H" = 84.12, 400A and 600A switches only
"E" = 18.93 when "H" = 90.12, 400A and 600A switches only

ABB CONTROLS DISCONNECT SWITCHES WITH FLANGE-MOUNTED OPERATORS†											
						WIRE BEND SPACE "WB" ABOVE DISCONNECT					
						TWO DOOR FLOOR-MOUNT (PAGES F28-F29 & F45-F46)		FREESTANDING & MODULAR (PAGES F32-F49)			
SWITCH NUMBER	AMP RATING	FUSE CLIP	FUSE CLASS	SPACE OCCUPIED			WHEN H=60.12 WB	WHEN H=72.12 WB	WHEN H=72.12 WB	WHEN H=84.12 WB	WHEN H=90.12 WB
				F	G	K					
OETL-NF30-F	40A	No fuse	—	4.45	3.91	0.56	9.53	15.53	13.53	19.53	22.53
OETL-NF60-F	80A	No fuse	—	4.86	3.91	0.56	9.34	15.34	13.34	19.34	22.34
OETL-NF100-F	100A	No fuse	—	4.86	4.91	0.56	8.78	14.78	12.78	18.78	21.78
OETL-NF175-F	175A	No fuse	—	7.30	6.62	0.56	6.53	12.53	10.53	16.53	19.53
OETL-NF200-F	200A	No fuse	—	7.36	7.41	0.56	6.53	12.53	10.53	16.53	19.53
OESA-F30J6-F	30A	30A-600V	J	4.28	6.70	0.56	7.85	13.85	11.86	17.86	20.86
OESA-F60J6-F	60A	60A-600V	J	4.28	6.39	0.56	7.85	13.85	11.86	17.86	20.86
OESA-F100J6-F	100A	100A-600V	J	6.54	7.78	0.56	7.42	13.42	11.42	17.42	20.42

ABB CONTROLS CIRCUIT BREAKERS WITH FLANGE-MOUNTED OPERATORS†										
						WIRE BEND SPACE "WB" ABOVE DISCONNECT				
						TWO DOOR FLOOR-MOUNT (PAGES F28-F29 & F45-F46)		FREESTANDING & MODULAR (PAGES F32-F49)		
MECHANISM	AMP RATING	FRAME TYPE	SPACE OCCUPIED			WHEN H=60.12 WB	WHEN H=72.12 WB	WHEN H=72.12 WB	WHEN H=84.12 WB	WHEN H=90.12 WB
			F	G	K					
FHD-M	150A	D	6.92	4.06	0.56	8.42	13.92	12.42	17.92	20.92
FHF-M	150A, 225A	E/Q	5.98	4.55	0.56	6.97	12.47	10.97	16.47	19.47
FHF-M	225A	F	7.44	4.55	0.56	6.97	12.47	10.97	16.47	19.47
FHJ-M	400A	J	9.71	5.75	0.56	5.02	10.52	9.02	14.52	17.52
FHM-M	600A	L	8.28	11.39	0.56	—	10.03	8.53	14.03	17.03
FHM-M	800A	M	10.11	11.39	0.56	—	9.62	8.12	13.62	16.62
FHN-M	1200A	N	12.18	11.39	0.56	—	—	—	9.81	12.81

†For Two Door Floor-Mount NEMA 12 (Pages F28-F29 & F45-F46) "E" = 7.88 when "H" = 60.12
"E" = 13.38 when "H" = 72.12

For Heavy Duty Freestanding and Modular Enclosures (Pages F32- F49) "E" = 11.88 when "H" = 72.12
"E" = 17.38 when "H" = 84.12
"E" = 20.38 when "H" = 90.12

EATON CUTLER-HAMMER C361 DISCONNECT SWITCHES†											
							WIRE BEND SPACE "WB" ABOVE DISCONNECT				
							TWO DOOR FLOOR-MOUNT (PAGES F28-F29 & F45-F46)		FREESTANDING & MODULAR (PAGES F32-F49)		
TYPE NUMBER	AMP RATING	FUSE CLIP	FUSE CLASS	SPACE OCCUPIED			WHEN H=60.12 WB	WHEN H=72.12 WB	WHEN H=72.12 WB	WHEN H=84.12 WB	WHEN H=90.12 WB
				F	G	K					
C361NC	30A	No fuse	—	5.75	7.55	0.56	6.50	12.50	10.50	16.50	19.50
C361SC21	30A	30A-250V	H, K, R	8.38	7.55	0.56	6.50	12.50	10.50	16.50	19.50
C361SC61	30A	60A-250V	H, K, R	8.38	7.55	0.56	6.50	12.50	10.50	16.50	19.50
C361SC61	30A	30A-600V	H, J, K, R	8.38	7.55	0.56	6.50	12.50	10.50	16.50	19.50
C361ND	60A	No fuse	—	5.75	7.55	0.56	6.50	12.50	10.50	16.50	19.50
C361SD22	60A	60A-250V	H, K, R	8.38	7.55	0.56	6.50	12.50	10.50	16.50	19.50
C361SD22	60A	30A-600V	J	8.38	7.55	0.56	6.50	12.50	10.50	16.50	19.50
C361SD62	60A	60A-600V	H, K, R	8.38	7.55	0.56	6.50	12.50	10.50	16.50	19.50
C361SD62	60A	60A-600V	J	8.38	7.55	0.56	6.50	12.50	10.50	16.50	19.50
C361NE	100A	No fuse	—	5.56	9.07	0.56	6.06	12.06	10.06	16.06	19.06
C361SE263	100A	100A-250V	H, K, R	10.31	9.07	0.56	6.06	12.06	10.06	16.06	19.06
C361SE263	100A	100A-250V	H, K, R	10.31	9.07	0.56	6.06	12.06	10.06	16.06	19.06
C361SE263	100A	100A-600V	J	10.31	9.07	0.56	6.06	12.06	10.06	16.06	19.06
C361NF	200A	No fuse	—	13.06	10.12	0.56	4.06	10.06	8.06	14.06	17.06
C361SF264	200A	200A-250V	H, K, R	13.06	10.12	0.56	4.06	10.06	8.06	14.06	17.06
C361SF264	200A	200A-600V	H, K, R	13.06	10.12	0.56	4.06	10.06	8.06	14.06	17.06

EATON CUTLER-HAMMER C371 CIRCUIT BREAKER OPERATORS†											
							WIRE BEND SPACE "WB" ABOVE DISCONNECT				
							TWO DOOR FLOOR-MOUNT (PAGES F28-F29 & F45-F46)		FREESTANDING & MODULAR (PAGES F32-F49)		
MECHANISM	AMP RATING	FRAME TYPE	SPACE OCCUPIED			WHEN H=60.12 WB	WHEN H=72.12 WB	WHEN H=72.12 WB	WHEN H=84.12 WB	WHEN H=90.12 WB	
			F	G	K						
C371E	225A	F Frame: EHD, FDB, FD, HFD, FDC	6.00	5.62	0.56	7.62	13.62	11.62	17.12	20.12	
C371E	150A	F Frame: HMCP	6.00	5.62	0.56	7.62	13.62	11.62	17.12	20.12	
C371F	225A	J Frame: JDB, JD, HJD, JDC	8.94	8.12	0.56	7.50*	13.00	11.44	16.94	20.00	
C371F	225A	J Frame: HMCP	10.94	8.12	0.56	7.50*	13.00	11.44	16.94	20.00	
C371F	400A	K Frame: DK, KDB, KD, HKD	9.75	8.12	0.56	7.00*	13.00	11.00	17.00	20.00	
C371F	400A	K Frame: HMCP	9.75	8.12	0.56	7.00*	13.00	11.00	17.00	20.00	
C371G	600A	L Frame: LD, HLD, LDC	8.44	12.00	0.56	—	10.88**	9.38	15.38	18.38	
C371G	600A	L Frame: HMCP	8.44	12.00	0.56	—	10.88**	9.38	15.38	18.38	
C371K	800A	M Frame: MD, MDS	10.25	12.00	0.56	—	—	—	11.81	14.81	
C371K	1200A	N Frame: ND, HND, NDC	10.25	12.00	0.56	—	—	—	11.81***	14.81	

* Available wire bend space "WB" does not allow cable sizes larger than 4/0 AWG in a 60.12-inch tall enclosure.

** Available wire bend space "WB" does not allow cable sizes larger than 300 MCM.

*** Available wire bend space "WB" does not allow cable sizes larger than 350 MCM in a 90.12-inch tall enclosure when using 4 cable per terminal.

See *National Electrical Code*, table 373-6(b) for more information. Available wire bend space "WB" is insufficient for use with breakers equipped with TA1201NB1 terminals.

†For Two Door Floor-Mount NEMA 12 (Pages F28-F29 & F45-F46) "E" = 7.88 when "H" = 60.12
"E" = 13.38 when "H" = 72.12

For Heavy Duty Freestanding and Modular Enclosures (Pages F32 - F49) "E" = 11.88 when "H" = 72.12
"E" = 17.38 when "H" = 84.12
"E" = 20.38 when "H" = 90.12

**FLOOR-MOUNT • FREESTANDING • MODULAR SERIES ENCLOSURES
DISCONNECT SPACE OCCUPIED & AVAILABLE WIRING SPACE INFORMATION**

EATON CUTLER-HAMMER FLEX SHAFT™ OPERATOR MECHANISMS				
COMPLETE OPERATOR MECHANISM	AMP RATING	FRAME TYPE	BREAKER HEIGHT	BREAKER WIDTH
F1S03	225A	F Frame: EHD, FDB, FD, HFD	6.00	4.12
F1S03	150A	F Frame: HMCP	6.00	4.12
F2S03	250A	J Frame: JDB, JD, HJD, JDC	10.00	4.12
F2S03	250A	J Frame: HMCP	10.00	4.12
F3S03	400A	K Frame: DK, KDB, KD, HKD	10.12	5.50
F3S03	400A	K Frame: HMCP	12.45	5.50
F4S04	600A	L Frame: LD, HLD, LDC	10.75	8.25
F4S04	600A	L Frame: HMCP	12.50	8.25
F7S04	800A	M Frame: MD, MDS	16.00	8.25
F5S04	1200A	N Frame: ND, HND, NDC	16.00	8.25
F6S04	2500A	R Frame: RD, CRD, RDC	16.00	15.50

- Catalog numbers for complete mechanisms include a flange-mounted handle, flexible shaft and circuit breaker mechanism.
- The last digit of the catalog number denotes the length of shaft (F1S03 = 3-foot shaft). The F, J, K frame Flex Shafts™ are available in 3-foot to 10-foot lengths. The L, N, R frame Flex Shafts are available in 4-foot to 6-foot lengths.

Space Occupied by Disconnect

- The Flex Shaft™ system allows the circuit breaker to be positioned independent from the flange-mounted handle mechanism.
- Refer to National Electrical Code® article 430-10(b) for wiring space "WB" required for line side conductors.
- Choose the length of shaft based on placement of the circuit breaker in the enclosure ensuring a 4-inch min. bending radius for the Flex Shaft.™
- Space occupied by circuit breaker is determined by overall height "X", width "Y", wire bend space "WB" and location "G" as selected from right to left.

EATON CUTLER-HAMMER TYPE SM SAFETY HANDLE MECHANISMS†									
HANDLE MECHANISM	USE WITH CIRCUIT BREAKER	SPACE OCCUPIED			WIRE BEND SPACE "WB" ABOVE DISCONNECT				
					TWO DOOR FLOOR-MOUNT (PAGES F28-F29 & F45-F46)		FREESTANDING & MODULAR (PAGES F32-F49)		
		F	G	K	WHEN H=60.12 WB	WHEN H=72.12 WB	WHEN H=72.12 WB	WHEN H=84.12 WB	WHEN H=90.12 WB
SM101PR	FB Tri-Pac	8.00	5.38	0.81	6.50	12.50	10.50	16.50	19.50
SM150R	F Frame: EHD, FDB, FD, HFD, FDC	8.00	5.38	0.81	6.50	12.50	10.50	16.50	19.50
SM250JR	J Frame: JDB, JD, HJD, JDC	8.50	7.50	0.81	—	10.00	8.00	14.00	17.00
SM400KR	K Frame: DK, KDB, KD, HKD	9.06	7.50	0.81	—	9.62	7.62	13.62	16.62
SM400PR	LA Tri-Pac	14.44	9.75	0.81	—	9.75	7.75	13.75	16.75
SM600R	L Frame: LD, HLD, LDC	8.81	7.62	0.81	—	—	—	12.88	15.88
SM800R	M Frame: MD, MDS, HMD	10.68	9.75	0.81	—	—	—	10.16	13.16
SM800PR	NB Tri-Pac	16.81	9.75	0.81	—	—	—	10.16	13.16

† For Two Door Floor-Mount NEMA 12 (Pages F28-F29 & F45-F46) "E" = 7.31 when "H" = 60.12 for up to type SM200
 "E" = 12.81 when "H" = 72.12 for up to type SM200
 "E" = 6.88 when "H" = 60.12 for type SM200 and larger
 "E" = 12.38 when "H" = 72.12 for type SM200 and larger

For Heavy Duty Freestanding and Modular Enclosures (Pages F32 - F49) "E" = 11.31 when "H" = 72.12 for up to type SM200
 "E" = 16.81 when "H" = 84.12 for up to type SM200
 "E" = 19.81 when "H" = 90.12 for up to type SM200
 "E" = 10.88 when "H" = 72.12 for type SM200 and larger
 "E" = 16.38 when "H" = 84.12 for type SM200 and larger
 "E" = 19.38 when "H" = 90.12 for type SM200 and larger

GENERAL ELECTRIC TYPE STDA DISCONNECT SWITCH OPERATORS†											
							WIRE BEND SPACE "WB" ABOVE DISCONNECT				
							TWO DOOR FLOOR-MOUNT (PAGES F28-F29 & F45-F46)		FREESTANDING & MODULAR (PAGES F32-F49)		
SWITCH MECHANISM	AMP RATING	FUSE CLIP	FUSE CLASS	SPACE OCCUPIED			WHEN H=60.12 WB	WHEN H=72.12 WB	WHEN H=72.12 WB	WHEN H=84.12 WB	WHEN H=90.12 WB
				F	G	K					
TDOM1A	30A	No fuse	—	6.88	5.38	0.56	8.38	14.38	12.38	18.38	21.38
TDOM1A	30A	30A-250V	H, R	6.88	5.38	0.56	8.38	14.38	12.38	18.38	21.38
TDOM1B	30A	30A-600V	H, R	11.50	5.38	0.56	8.38	14.38	12.38	18.38	21.38
TDOM1B	30A	60A-250V	H, R	11.50	5.38	0.56	8.38	14.38	12.38	18.38	21.38
TDOM1B	30A	60A-600V	H, R	11.50	5.38	0.56	8.38	14.38	12.38	18.38	21.38
TDOM1A	60A	No fuse	—	6.88	5.38	0.56	8.38	14.38	12.38	18.38	21.38
TDOM1B	60A	60A-250V	H, R	11.50	5.38	0.56	8.38	14.38	12.38	18.38	21.38
TDOM1B	60A	60A-600V	H, R	11.50	5.38	0.56	8.38	14.38	12.38	18.38	21.38
TDOM1B	60A	100A-250V	H, R	11.50	5.38	0.56	8.38	14.38	12.38	18.38	21.38
TDOM1B	60A	100A-600V	H, R	11.50	5.38	0.56	8.38	14.38	12.38	18.38	21.38
TDOM1A	100A	No fuse	—	6.88	5.38	0.56	8.38	14.38	12.38	18.38	21.38
TDOM1B	100A	100A-250V	H, R	11.50	5.38	0.56	8.38	14.38	12.38	18.38	21.38
TDOM1B	100A	100A-600V	H, R	11.50	5.38	0.56	8.38	14.38	12.38	18.38	21.38
TDOM1B	100A	200A-250V	H, R	11.50	5.38	0.56	8.38	14.38	12.38	18.38	21.38
TDOM1B	100A	200A-600V	H, R	11.50	5.38	0.56	8.38	14.38	9.69	18.38	21.38
TDOM2	200A	No fuse	—	7.00	9.25	0.56	5.69	11.69	9.69	15.69	18.69
TDOM2	200A	200A-250V	H, R	15.38	9.25	0.56	5.69	11.69	9.69	15.69	18.69
TDOM2	200A	200A-600V	H, R	15.38	9.25	0.56	5.69	11.69	9.69	15.69	18.69

GENERAL ELECTRIC TYPE STDA CIRCUIT BREAKERS OPERATORS†											
							WIRE BEND SPACE "WB" ABOVE DISCONNECT				
							TWO DOOR FLOOR-MOUNT (PAGES F28-F29 & F45-F46)		FREESTANDING & MODULAR (PAGES F32-F49)		
CIRCUIT BREAKER MECHANISM	AMP RATING	FRAME TYPE	SPACE OCCUPIED			WHEN H=60.12 WB	WHEN H=72.12 WB	WHEN H=72.12 WB	WHEN H=84.12 WB	WHEN H=90.12 WB	
			F	G	K						
SDOM1A	150A	TEB, TED, THED	6.88	5.38	0.56	7.24	13.24	11.24	17.24	20.24	
SDOM1A	150A	TEC	6.88	5.38	0.56	7.24	13.24	11.24	17.24	20.24	
TDOM1B	150A	TBI	11.50	5.38	0.56	7.24	13.24	11.24	17.24	20.24	
TDOM1B	150A	TEC, TECL	11.50	5.38	0.56	7.24	13.24	11.24	17.24	20.24	
TDOM1C	150A	TEL	6.88	5.38	0.56	7.24	13.24	11.24	17.24	20.24	
TDOM1D	150A	THLCI	6.88	5.38	0.56	5.87	11.87	9.87	15.87	18.87	
TDOM3	225A	TFJ	10.38	5.88	0.56	6.81	12.81	10.81	16.31	19.81	
TDOM3	225A	TFK, THFK, TFL	10.38	5.88	0.56	6.81	12.81	10.81	16.31	19.81	
TDOM4	400A	TJJ, TJK4, THJK4, TJL4V	8.25	9.50	0.56	—	11.91	9.91	15.91	18.91	
TDOM4	600A	TJK6, THJK6, TJ4V, TJL4V	8.25	9.50	0.56	—	11.91	9.91	15.91	18.91	
TDOM5	400A	TB4, TJH6S	14.25	9.50	0.56	—	11.91	9.91	15.91	18.91	
TDOM6	225A	TLB2, THLC2	11.75	9.50	0.56	—	11.35	—	15.35	18.35	
TDOM6	400A	TLB4, THLC4	11.75	9.50	0.56	—	9.97	—	13.97	16.97	
TDOM6	800A-1200A	TKMA, THKMA, TK4V	11.75	9.50	0.56	—	—	—	—	18.38	
TDOM6	1200A	TK4V, THK4V	11.75	9.50	0.56	—	—	—	—	18.38	
TDOM7	600A	TB6	18.12	9.50	0.56	—	—	—	12.25	15.25	
TDOM7	800A	TB8	18.12	9.50	0.56	—	—	—	12.25	15.25	
TDOM7	1200A	TKLI2S	18.12	9.50	0.56	—	—	—	—	15.25	
SDOM1A	150A	SPECTRA SE150	6.88	5.38	0.56	7.24	12.74	11.24	16.74	19.74	
SDOM3	250A	SPECTRA SF250	10.38	5.88	0.56	6.81	11.38	10.81	16.31	19.31	
SDOM4	600A	SPECTRA SG600	10.00	7.12	0.56	—	8.68	—	12.68	15.68	

†For Two Door Floor-Mount NEMA 12 (Pages F28-F29 & F45-F46) "E" = 7.88 when "H" = 60.12
"E" = 13.38 when "H" = 72.12

For Heavy Duty Freestanding and Modular Enclosures (Pages F32 - F49) "E" = 11.88 when "H" = 72.12
"E" = 17.38 when "H" = 84.12
"E" = 20.38 when "H" = 90.12

**FLOOR-MOUNT • FREESTANDING • MODULAR SERIES ENCLOSURES
DISCONNECT SPACE OCCUPIED & AVAILABLE WIRING SPACE INFORMATION**

F57

GENERAL ELECTRIC CIRCUIT BREAKERS WITH SPECTRA-FLEX™ CABLE OPERATORS†					
FRAME SIZE	MAXIMUM AMP RATING	CIRCUIT BREAKER HEIGHT X	CIRCUIT BREAKER WIDTH Y	TWO DOOR FLOOR-MOUNT	FREESTANDING & MODULAR
E150	150A	6.31	4.12	For enclosures that accept these devices.(See pages F28-F29 & F45-F46)	For enclosures that accept these devices, (See pages F32-F49)
SE150	150A	6.31	4.12		
SF250	250A	10.12	4.12		
SG600	600A	10.09	5.50		
SK1200	1200A	15.50	8.25		

FRAME SIZE	BREAKER MECHANISM	FLANGE MOUNTING HANDLE	OPERATING CABLE*
E150	SCOM1A	SCH1	SC3L
SE150/SF250	SCOM1EF	SCH1	SC3L
SG600	SCOM1G	SCH1	SC3L
SK1200	SCOM1K	SCH2K	SC3H

*Operating cables are available in 3-foot to 10-foot lengths. (The number 3 in the catalog number denotes 3-foot cable.)

Space Occupied by Circuit Breaker

- The General Electric Spectra-Flex™ system allows the circuit breaker to be positioned independent from the flange-mounted handle mechanism.
- Refer to National Electrical Code® article 430-10(b) for wiring space "WB" required for line side conductors.
- Choose the length based on placement of the circuit breaker in the enclosure ensuring a 3-inch minimum bending radius for the cable.
- Space occupied by circuit breaker is determined by overall height "X", width "Y", wire bend space "WB" and location "G" as selected from right to left.

†For Two Door Floor-Mount NEMA 12 "E" = 7.88 when "H" = 60.12
(Pages F28-F29 & F45-F46) "E" = 13.38 when "H" = 72.12

For Heavy Duty Freestanding and Modular Enclosures (Pages F32 & F49) "E" = 11.88 when "H" = 72.12
"E" = 17.38 when "H" = 84.12
"E" = 20.38 when "H" = 90.12

**FLOOR-MOUNT • FREESTANDING • MODULAR SERIES ENCLOSURES
DISCONNECT SPACE OCCUPIED & AVAILABLE WIRING SPACE INFORMATION**

SIEMENS ITE MAX-FLEX™ DISCONNECT SWITCHES FOR MAX-FLEX™ OPERATORS†							
SWITCH	AMP RATING	FUSE CLIP	FUSE CLASS	DISCONNECT HEIGHT X	DISCONNECT WIDTH Y	TWO DOOR FLOOR-MOUNT	FREESTANDING & MODULAR
MCS603R	30A	No fuse	—	5.52	6.13	For enclosures that accept these devices, see pages F28-F29 & F45-F46	For enclosures that accept these devices, (See pages F32-F49)
MCS603R	30A	30A-250V	H, K, R	8.11	6.13		
MCS603R	30A	30A-600V	H, K, R	10.11	6.13		
MCS603R	30A	30A-600V	J	8.48	6.13		
MCS606R	60A	No fuse	—	5.52	6.13		
MCS606R	60A	60A-250V	H, K, R	7.86	6.13		
MCS606R	60A	60A-600V	H, K, R	10.38	6.13		
MCS606R	60A	60A-600V	J	8.36	6.13		
MCS610R	100A	No fuse	—	7.59	7.38		
MCS610R	100A	100A-250V	H, K, R	11.85	7.38		
MCS610R	100A	100A-600V	H, K, R	13.85	7.38		
MCS610R	100A	100A-600V	J	10.60	7.38		
MCS620R	200A	No fuse	—	9.00	9.17		
MCS620R	200A	200A-250V	H, K, R	14.70	9.17		
MCS620R	200A	200A-600V	H, K, R	17.20	9.17		
MCS620R	200A	200A-600V	J	13.32	9.17		

2 Door Floor-Mount NEMA 12, Heavy Duty Freestanding and Modular Enclosures, that are 24.00-inches deep, require a 48-inch Max-Flex™ cable (minimum cable length).

SIEMENS ITE MAX-FLEX™ CIRCUIT BREAKERS FOR MAX-FLEX™ OPERATORS†						
COMPLETE OPERATOR MECHANISM	CIRCUIT FRAME SIZE	MAXIMUM AMP RATING	CIRCUIT BREAKER HEIGHT X	CIRCUIT BREAKER WIDTH Y	CIRCUIT BREAKER TYPE	
FHOE036	ED	125A	6.34	3.00	ED2, ED4, ED6, HED4, HED6	
FHOE036	CED	125A	9.58	3.00	CED6	
FHOF036	FD	250A	9.50	4.50	FXD6-A, FD6-A, HFD6, FXD6-ETJ, HHFD6, HHFXD6	
FHOF036	CFD	250A	14.25	4.50	CFD6, CFD6-ETI	
FHOJ036	JD	400A	11.00	7.50	JXD2, LXD6, JD6, HJD6, HHJD6, HHJXD6, JXD6-ETI	
FHOJ036	CJD	400A	17.86	7.50	CJD6, CJD6-ETI	
FHOJ036	LD	600A	11.00	7.50	LXD6, LD6, HLD6, HHL6, HHLXD6, LXD6-ETI	
FHOJ036	CLD	600A	17.86	7.50	CLD6, CLD6-ETI	
FHOLM036	LMD	800A	16.00	9.00	LMD6, LMXD6, HLM6, HLMXD6, LMXD6-ETI	
FHON048	MD	800A	24.00	9.00	MD6, MXD6, HMD6, HMXD6, CMD6, MXD6-ETI, CMD6-ETI	
FHON048	ND	1200A	24.00	9.00	ND6, NXD6, HND6, HNXD6, CND6	
FHON048*	PD	1600A	24.50	13.63	PD6, PXD6, HPD6, HFXD6, CPD6	
FHON048*	RD	2000A	24.50	13.63	RD6, RXD6, HRD6, HRXD6	

Mechanisms and circuit breakers listed above will fit any 2 Door Floor-Mount NEMA 12, Heavy Duty Freestanding and Modular Enclosure.

Catalog numbers are for complete mechanisms which include flange-mounted handle, flexible operating cable, and circuit breaker operator. The last 3 digits indicate cable length in inches.

24" deep enclosures require longer operating cables. Order components separately.

*Circuit breakers size includes required base mounting block.

Space Occupied by Circuit Breaker

- The Siemens ITE Max-Flex™ cable system allows the disconnect to be positioned independent from the flange-mounted handle mechanism.
- Refer to National Electrical Code® article 430-10(b) for wiring space "WB" required for line side conductors.
- Refer to Siemens ITE Max-Flex™ installation instructions for limits on disconnect location when using 36" or 48" Max-Flex™ cables.
- Space occupied by disconnect is determined by overall height "X", width "Y", wire bend space "WB" and location "G" as selected from right to left.

†For Two Door Floor-Mount NEMA 12 (Pages F28-F29 & F45-F46)

"E" = 7.88 when "H" = 60.12
 "E" = 13.38 when "H" = 72.12
 (Deduct 1.45 inches from "E" for FHON048 operator mechanism for MD, ND, PD, RD circuit breakers.)

For Heavy Duty Freestanding and Modular Enclosures (Pages F32 - F49)

"E" = 11.88 when "H" = 72.12
 "E" = 17.38 when "H" = 84.12
 "E" = 20.38 when "H" = 90.12
 (Deduct 1.45 inches from "E" for FHON048 operator mechanism for MD, ND, PD, RD circuit breakers.)

**FLOOR-MOUNT • FREESTANDING • MODULAR SERIES ENCLOSURES
DISCONNECT SPACE OCCUPIED & AVAILABLE WIRING SPACE INFORMATION**

SCHNEIDER SQUARE D® CLASS 9422 VARIABLE DEPTH DISCONNECT SWITCHES†											
							WIRE BEND SPACE "WB" ABOVE DISCONNECT				
							TWO DOOR FLOOR-MOUNT (PAGES F28-F29 & F45-F46)		FREESTANDING & MODULAR (PAGES F32-F49)		
TYPE NUMBER	AMP RATING	FUSE CLIP	FUSE CLASS	SPACE OCCUPIED			WHEN H=60.12 WB	WHEN H=72.12 WB	WHEN H=72.12 WB	WHEN H=84.12 WB	WHEN H=90.12 WB
				F	G	K					
TCN-30	30A	No fuse	—	3.80	6.97	0.56	6.75	12.75	10.75	16.75	19.75
TCF-30	30A	30A-250V	H, K, R	5.53	6.97	0.56	6.75	12.75	10.75	16.75	19.75
TCF-33	30A	30A-600V	H, K, R	8.15	6.97	0.56	6.75	12.75	10.75	16.75	19.75
TCF-33	30A	60A-250V	H, K, R	6.15	6.97	0.56	6.75	12.75	10.75	16.75	19.75
TCF-33	30A	30A-600V	J	5.53	6.97	0.56	6.75	12.75	10.75	16.75	19.75
TDN-60	60A	No fuse	—	3.80	6.97	0.56	6.75	12.75	10.75	16.75	19.75
TDF-60	60A	30A-600V	H, K, R	8.15	6.97	0.56	6.75	12.75	10.75	16.75	19.75
TDF-60	60A	60A-250V	H, K, R	6.15	6.97	0.56	6.75	12.75	10.75	16.75	19.75
TDF-63	60A	60A-600V	H, K, R	8.65	6.97	0.56	6.75	12.75	10.75	16.75	19.75
TDF-63	60A	60A-600V	J	5.53	6.97	0.56	6.75	12.75	10.75	16.75	19.75
TEN-10	100A	No fuse	—	3.80	6.97	0.56	6.62	12.62	10.62	16.62	19.62
TEF-10	100A	100A-250V	H, K, R	8.25	6.97	0.56	6.62	12.62	10.62	16.62	19.62
TEF-10	100A	100A-600V	H, K, R	10.25	6.97	0.56	6.62	12.62	10.62	16.62	19.62
TEF-10	100A	100A-600V	J	7.05	6.97	0.56	6.62	12.62	10.62	16.62	19.62
TEF-13	100A	200A-600V	J	—	—	0.56	6.62	12.62	10.62	16.62	19.62
TC-1	30A	No fuse	—	5.75	6.12	0.56	5.88	11.88	9.88	15.88	18.88
TC-2	30A	30A-250V	H, K, R	5.75	6.12	0.56	5.88	11.88	9.88	15.88	18.88
TC-3	30A	30A-600V	H, K, R	7.75	6.12	0.56	5.88	11.88	9.88	15.88	18.88
TC-3	30A	60A-250V	H, K, R	5.88	6.12	0.56	5.88	11.88	9.88	15.88	18.88
TC-3	30A	30A-600V	J	5.75	6.12	0.56	5.88	11.88	9.88	15.88	18.88
TD-1	60A	No fuse	—	6.38	6.75	0.56	6.75	12.75	10.75	16.75	19.75
TD-2	60A	30A-600V	H, K, R	8.50	6.75	0.56	6.75	12.75	10.75	16.75	19.75
TD-2	60A	60A-250V	H, K, R	6.50	6.75	0.56	6.75	12.75	10.75	16.75	19.75
TD-3	60A	60A-600V	H, K, R	9.00	6.75	0.56	6.75	12.75	10.75	16.75	19.75
TD-3	60A	60A-600V	J	6.38	6.75	0.56	6.75	12.75	10.75	16.75	19.75
TE-1	100A	No fuse	—	4.75	8.50	0.56	6.50	12.50	10.50	16.50	19.50
TE-2	100A	100A-250V	H, K, R	7.50	8.50	0.56	6.50	12.50	10.50	16.50	19.50
TE-2	100A	100A-600V	H, K, R	9.50	8.50	0.56	6.50	12.50	10.50	16.50	19.50
TE-2	100A	100A-600V	J	6.25	8.50	0.56	6.50	12.50	10.50	16.50	19.50
TE-3	100A	200A-600V	J	13.75	8.50	0.56	6.50	12.50	10.50	16.50	19.50
TF-1	200A	No fuse	—	5.50	11.75	0.56	5.12	11.12	9.12	15.12	18.12
TF-2	200A	200A-250V	H, K, R	11.50	11.75	0.56	5.12	11.12	9.12	15.12	18.12
TF-2	200A	200A-600V	H, K, R	14.00	11.75	0.56	5.12	11.12	9.12	15.12	18.12
TF-2	200A	200A-600V	J	10.12	11.75	0.56	5.12	11.12	9.12	15.12	18.12
TF-3	200A	400A-600V	J	14.50	11.75	0.56	5.12	11.12	9.12	15.12	18.12

SCHNEIDER SQUARE D® CLASS 9422 VARIABLE DEPTH OPERATOR CIRCUIT BREAKERS†											
							WIRE BEND SPACE "WB" ABOVE DISCONNECT				
							TWO DOOR FLOOR-MOUNT (PAGES F28-F29 & F45-F46)		FREESTANDING & MODULAR (PAGES F32-F49)		
TYPE NUMBER	AMP RATING	FRAME TYPE	SPACE OCCUPIED			WHEN H=60.12 WB	WHEN H=72.12 WB	WHEN H=72.12 WB	WHEN H=84.12 WB	WHEN H=90.12 WB	
			F	G	K						
RG-1	75A	GJL	3.53	3.87	0.56	6.69	12.69	10.69	16.69	19.69	
RG-1	100A	GJL	3.53	3.87	0.56	6.69	12.69	10.69	16.69	19.69	
RN-1	100A	FAL, FHL	5.12	5.38	0.56	6.88	12.88	10.88	16.88	19.88	
RP-1	250A	KAL, KHL	7.12	5.75	0.56	7.56	13.06	11.56	17.56	20.56	
RR-1	400A	LAL,LHL,Q4L	7.62	8.88	0.56	—	9.25	—	13.25	16.25	
RT-1	800A	MEL, MXL	9.12	12.00	0.56	—	—	—	13.25	16.25	
RT-1	1000A	MAL, MHL	9.12	12.00	0.56	—	—	—	13.25	16.25	

†For Two Door Floor-Mount NEMA 12
(Pages F28-F29 & F45-F46)

"E" = 7.88 when "H" = 60.12
"E" = 13.38 when "H" = 72.12

For Heavy Duty Freestanding
and Modular Enclosures
(Pages F32 - F49)

"E" = 11.88 when "H" = 72.12
"E" = 17.38 when "H" = 84.12
"E" = 20.38 when "H" = 90.12

FLOOR-MOUNT • FREESTANDING • MODULAR SERIES ENCLOSURES DISCONNECT SPACE OCCUPIED & AVAILABLE WIRING SPACE INFORMATION

SCHNEIDER SQUARE D® CLASS 9422 DISCONNECT SWITCHES USED WITH <i>CABLE</i> MECHANISM 9422-CFT30 AND 9422-A1 HANDLE MECHANISM							
TYPE NUMBER	AMP RATING	FUSE CLIP	FUSE CLASS	DISCONNECT HEIGHT X	DISCONNECT WIDTH Y	TWO DOOR FLOOR-MOUNT	FREESTANDING MODULAR
TCN-30C	30A	No fuse	—	5.90	6.20	For enclosures that accept these devices, see pages F28-F29 & F45-F46	For enclosures that accept these devices, see pages F32-F49
TCF-30C	30A	30A-250V	H, K, R	7.50	6.20		
TCF-33C	30A	30A-600V	H, K, R	10.15	6.20		
TCF-33C	30A	60A-250V	H, K, R	8.15	6.20		
TCF-33C	30A	30A-600V	J	7.50	6.20		
TDN-60C	60A	No fuse	—	5.90	6.20		
TDF-60C	60A	30A-600V	H, K, R	10.15	6.20		
TDF-60C	60A	60A-250V	H, K, R	8.15	6.20		
TDF-63C	60A	60A-600V	H, K, R	10.65	6.20		
TDF-63C	60A	60A-600V	J	7.50	6.20		
TEN-10C	100A	No fuse	—	5.90	6.20		
TEF-10C	100A	100A-250V	H, K, R	10.35	6.20		
TEF-10C	100A	100A-600V	H, K, R	10.35	6.20		
TEF-10C	100A	100A-600V	J	10.35	6.20		

Use switches listed above with appropriate cable mechanism and 9422-A1 handle mechanism. Cable operators are available in 3-foot, 5-foot, and 10-foot lengths. Numbers shown (30) are for 3-foot cables.

SCHNEIDER SQUARE D® CLASS 9422 CABLE MECHANISM FOR CIRCUIT BREAKERS						
CABLE TYPE SWITCH	CIRCUIT B AMP RATING	CIRCUIT B FRAME TYPE	CIRCUIT BREAKER HEIGHT X	CIRCUIT BREAKER WIDTH Y	TWO DOOR FLOOR-MOUNT	FREESTANDING MODULAR
9422 CGJ30	75A	GJL	4.75	3.50	For enclosures that accept these devices, see page F28-F29 & F45-F46	For enclosures that accept these devices, see pages F32-F49
9422 CGJ30	100A	GJL	4.75	3.50		
9422 CFA30	100A	FAJ, FHL	6.00	4.50		
9422 CKA30	250A	KAL, KHL	8.00	4.50		
9422 CLA30	400A	LAL, LHL, Q4L	11.00	6.00		

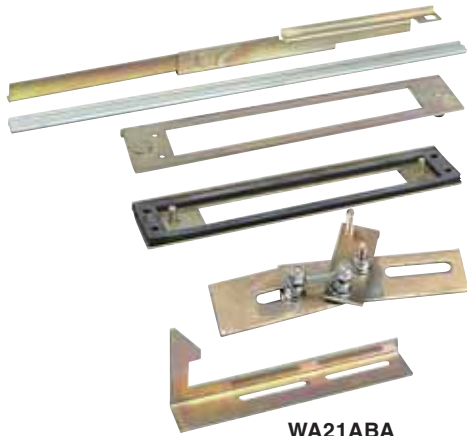
Use cable mechanism with appropriate circuit breaker and 9422-A1 handle mechanism. Cable operators are available in 3-foot, 5-foot, and 10-foot lengths. Numbers shown (30) are for 3-foot cables.

Space Occupied by Disconnect Switch or Circuit Breaker

- Schneider Square D® cable mechanisms allows disconnect devices to be positioned independent from the flange-mounted handle mechanism.
- Refer to *National Electrical Code*® article 430-10(b) for wiring space "WB" required for line side conductors.
- Choose cable mechanism length based on placement of disconnect in enclosure. See Schneider Square D® instruction Bulletin for minimum bend radius for cable.
- Space occupied by disconnect is determined by overall height "X", width "Y", wire bend space "WB" and location "G" as selected from right to left.

†For Two Door Floor-Mount NEMA 12 (Pages F28-F29 & F45-F46) "E" = 7.88 when "H" = 60.12
"E" = 13.38 when "H" = 72.12

For Heavy Duty Freestanding and Modular Enclosures (Pages F32 - F49) "E" = 11.88 when "H" = 72.12
"E" = 17.38 when "H" = 84.12
"E" = 20.38 when "H" = 90.12



WA21ABA



WA22BAP

FEATURES-SPECIFICATIONS

OPERATOR ADAPTER PLATES

- Used on all Wiegmann disconnect enclosures with universal flange cutouts
- An operator adapter plate is required to install a disconnect in all Wiegmann enclosures with a universal cutout on pages F28-F49.
- Operator adapters include an adapter plate and additional parts used to interlock the master door with the disconnect operating mechanism. Panel drilling and installation instructions are furnished with each adapter
- Each brand and type of disconnect requires a different operator adapter. It is important to select the proper operator adapter and enclosure for the disconnect that you have selected

BLANK ADAPTER PLATES

- Used to cover flange cutouts in disconnect enclosures when disconnects are not installed. This greatly increases the versatility of the disconnect enclosures enabling them to also be used as regular Type 12 enclosures
- Wiegmann blank adapter plates are made from heavy gauge steel, with oil-resistant gasket to maintain the dust-tight and oil-tight qualities of the enclosure
- All blank adapter plates are painted ANSI 61 gray polyester powder
- All necessary mounting hardware and instructions are included

OPERATOR ADAPTER PLATES	
CATALOG NUMBER	TYPE OF OPERATOR ADAPTER
WA21ABA	Allen-Bradley 1494F and 1494D
WA21ABVA	Allen-Bradley 1494V, 140U, 1494C, 194RC
WA21CHVA	Eaton Cutler-Hammer C361, C371 and C371 Flex Shaft™
WA21CHVA	ABB Controls Variable Depth, S1, S2, T5 cable size
WA21FUFA	Fuji
WA21GETDA	General Electric STDA
WA21ITE	Siemens ITE Max-Flex™, ABB Controls Cable S3-S5, S6, S7
WA21SDA	Schneider Square D® Class 9422, (variable depth and cable mechanism)
WA21WHA	Eaton Cutler-Hammer/Westinghouse SM

BLANK ADAPTER PLATES	
CATALOG NUMBER	TYPE OF OPERATOR ADAPTER
WA21BAP	Blank adapter for universal cutouts on pages F28- F49
WA22BAP	Blank adapter for enclosures on page F24
WA3456BAP	Blank adapter for single door wall-mount enclosures on pages F2- F13.

NOTES

Section G Index

HS/S Series

NEMA 1 Screw Cover/Hinge cover
Wireway.....G2

LJW Series

NEMA 12 Lay-In WirewayG8

JW Series

NEMA 12 Feed-Through WirewayG12

SSJW Series

NEMA 12 Stainless Feed-Through
Wireway.....G16

RSCG Series

NEMA 3R Wiring Through.....G18

T-CH Series

NEMA 12 Hinge Cover Wiring Through...G20

WIREWAYS & FITTINGS





HS442

S4424

Industry Standards

 UL 870
 NEMA/EEMAC Type 1

UL Files E32576

CSA File LL66078

FEATURES-SPECIFICATIONS
Applications

Designed to protect electrical wiring in applications where dirt, dust, oil and water are not serious problems. All sections are open on one side so wires and cable can be laid in along an entire wireway run.

A complete selection of sections and fittings is offered in five sizes:

2.50" x 2.50" (64 x 64)
 4.00" x 4.00" (102 x 102)
 6.00" x 6.00" (152 x 152)
 8.00" x 8.00" (203 x 203)
 10.00" x 10.00" (255 x 255)*
 12.00" x 12.00" (305 x 305)**

Construction

- 2.50" x 2.50" (64 x 64), 4.00" x 4.00" (102 x 102) 6.00" x 6.00" (152 x 152) bodies and covers are fabricated from 16 gauge steel
- 8.00" x 8.00" (203 x 203), 10.00" x 10.00" (255 x 255), 12.00" x 12.00" (305 x 305) bodies and covers are fabricated from 14 gauge steel
- Available with or without knockouts in all sizes except the 10.00" x 10.00" (255 x 255) and 12.00" x 12.00" (305 x 305) which are available without knockouts only (See knockout pattern chart)

- HS Series combination hinge/screw cover design offers easy access to open top for "lay-in" of wireway. Screws do not need to be removed to open top
- S Series screw cover design covers held firmly in place with captivated screw fasteners
- Straight sections with knockouts are provided on side walls on wireways

Finish

- ANSI 61 gray polyester powder inside and out over phosphatized surfaces
- Pre-galvanized steel is unpainted

HS & S SERIES WIREWAYS (STRAIGHT SECTIONS)										
CATALOG NUMBER										LENGTH
2.50 x 2.50 (64 x 64)		4.00 x 4.00 (102 x 102)		6.00 x 6.00 (152 x 152)		8.00 x 8.00 (203 x 203)		10.00 x 10.00* (254 x 254)	12.00 x 12.00** (305 x 305)	
WITH KNOCKOUTS	WITHOUT KNOCKOUTS	WITH KNOCKOUTS	WITHOUT KNOCKOUTS	WITH KNOCKOUTS	WITHOUT KNOCKOUTS	WITH KNOCKOUTS	WITHOUT KNOCKOUTS	WITHOUT KNOCKOUTS	WITHOUT KNOCKOUTS	
HINGE COVER										
HS221	HS221NK	HS441	HS441NK	HS661	HS661NK	HS881	HS881NK	—	HS12121NK	12.00" (305)
HS222	HS222NK	HS442	HS442NK	HS662	HS662NK	HS882	HS882NK	—	HS12122NK	24.00" (610)
HS223	HS223NK	HS443	HS443NK	HS663	HS663NK	HS883	HS883NK	—	HS12123NK	36.00" (914)
HS224	HS224NK	HS444	HS444NK	HS664	HS664NK	HS884	HS884NK	—	HS12124NK	48.00" (1219)
HS225	HS225NK	HS445	HS445NK	HS665	HS665NK	HS885	HS885NK	—	HS12125NK	60.00" (1524)
HS226	HS226NK	HS446	HS446NK	HS666	HS666NK	HS886	HS886NK	—	HS12126NK	72.00" (1829)
HS2210	HS2210NK	HS4410	HS4410NK	HS6610	HS6610NK	HS8810	HS8810NK	—	HS121210NK	120.00" (3048)
SCREW COVER										
S2212	S2212NK	S4412	S4412NK	S6612	S6612NK	S8812	S8812NK	S101012NK	S121212NK	12.00" (305)
S2224	S2224NK	S4424	S4424NK	S6624	S6624NK	S8824	S8824NK	S101024NK	S121224NK	24.00" (610)
S2236	S2236NK	S4436	S4436NK	S6636	S6636NK	S8836	S8836NK	S101036NK	S121236NK	36.00" (914)
S2248	S2248NK	S4448	S4448NK	S6648	S6648NK	S8848	S8848NK	S101048NK	S121248NK	48.00" (1219)
S2260	S2260NK	S4460	S4460NK	S6660	S6660NK	S8860	S8860NK	S101060NK	S121260NK	60.00" (1524)
S2272	S2272NK	S4472	S4472NK	S6672	S6672NK	S8872	S8872NK	S101072NK	S121272NK	72.00" (1829)
S22120	S22120NK	S44120	S44120NK	S66120	S66120NK	S88120	S88120NK	S1010120NK	S1212120NK	120.00" (3048)
S SERIES WIREWAYS (STRAIGHT SECTION) GALVANIZED										
S2212G	S2212GNK	S4412G	S4412GNK	S6612G	S6612GNK	S8812G	S8812GNK	S101012GNK	S121212GNK	12.00" (305)
S2224G	S2224GNK	S4424G	S4424GNK	S6624G	S6624GNK	S8824G	S8824GNK	S101024GNK	S121224GNK	24.00" (610)
S2236G	S2236GNK	S4436G	S4436GNK	S6636G	S6636GNK	S8836G	S8836GNK	S101036GNK	S121236GNK	36.00" (914)
S2248G	S2248GNK	S4448G	S4448GNK	S6648G	S6648GNK	S8848G	S8848GNK	S101048GNK	S121248GNK	48.00" (1219)
S2260G	S2260GNK	S4460G	S4460GNK	S6660G	S6660GNK	S8860G	S8860GNK	S101060GNK	S121260GNK	60.00" (1524)
S2272G	S2272GNK	S4472G	S4472GNK	S6672G	S6672GNK	S8872G	S8872GNK	S101072GNK	S121272GNK	72.00" (1829)
S22120G	S22120GNK	S44120G	S44120GNK	S66120G	S66120GNK	S88120G	S88120GNK	S1010120GNK	S1212120GNK	120.00" (3048)

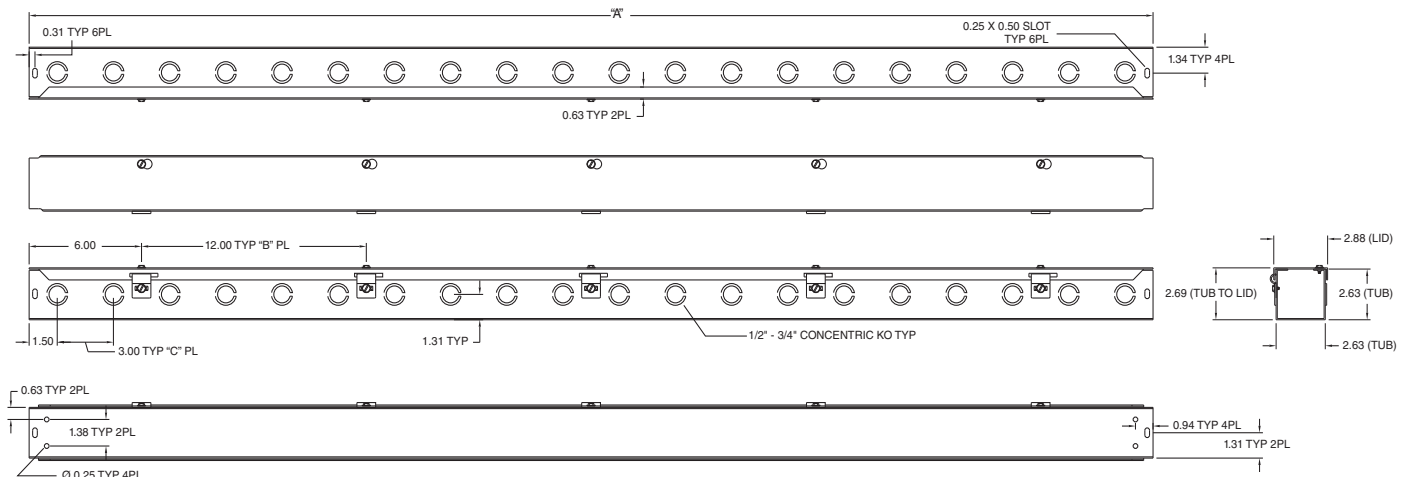
* 10" x 10" S SERIES only. Not UL listed. (Consult factory for dimensions and drawings for 10" x 10" wireway straight sections.)

** 12" x 12" not UL Listed. (Consult factory for dimensions and drawings for 12" x 12" wireway straight sections.)

HS & S SERIES WIREWAY ACCESSORIES						
CATALOG NUMBER						DESCRIPTION
2.50 x 2.50 (64 x 64)	4.00 x 4.00 (102 x 102)	6.00 x 6.00 (152 x 152)	8.00 x 8.00 (203 x 203)	10.00 x 10.00* (254 x 254)	12.00 x 12.00* (305 x 305)	
E0202	E0404	E0606	E0808	—	—	End caps (with knockouts)
E0202NK	E0404NK	E0606NK	E0808NK	E1010NK	E1212NK	End caps (without knockouts)
T0202	T0404	T0606	T0808	T1010	T1212	Tee
X0202	X0404	X0606	X0808	X1010	X1212	Cross
AF0202	AF0404	AF0606	AF0808	AF1010	AF1212	Telescope
C0202	C0404	C0606	C0808	C1010	C1212	Connectors
PA0202	PA0404	PA0606	PA0808	PA1010	PA1212	Panel-Adapter
BH0202	BH0404	BH0606	BH0808	BH1010	BH1212	Bracket Hanger
—	R0402	R0604	R0806	R1008	R1208	Reducer
SL020290	SL040490	SL060690	SL080890	SL101090	SL121290	Sweep Elbow – 90°
L020290	L040490	L060690	L080890	L101090	L121290	Elbow – 90°
L020245	L040445	L060645	L080845	L101045	L121245	Elbow – 45°
S SERIES ACCESSORIES (GALVANIZED)						
—	E0404G	E0606G	E0808G	—	—	End caps (without knockouts)
E0202GNK	—	—	—	E1010GNK	E1212GNK	End caps (with knockouts)
T0202G	T0404G	T0606G	T0808G	T1010G	T1212G	Galvanized Tee
X0202G	X0404G	X0606G	X0808G	X1010G	X1212G	Galvanized Cross
AF0202G	AF0404G	AF0606G	AF0808G	AF1010G	AF1212G	Galvanized Telescope
C0202G	C0404G	C0606G	C0808G	C1010G	C1212G	Galvanized Connectors
PA0202G	PA0404G	PA0606G	PA0808G	PA1010G	PA1212G	Galvanized Panel-Adapter
BH0202G	BH0404G	BH0606G	BH0808G	BH1010G	BH1212G	Galvanized Bracket Hanger
—	R0402G	R0604G	R0806G	R1008G	R1208G	Galvanized Reducer
SL020290G	SL040490G	SL060690G	SL080890G	SL101090G	SL121290G	Galvanized Sweep Elbow – 90°
L020290G	L040490G	L060690G	L080890G	L101090G	L121290G	Galvanized Elbow – 90°
L020245G	L040445G	L060645G	L080845G	L101045G	L121245G	Galvanized Elbow – 45°

HS SERIES 2" STRAIGHT SECTION DIMENSIONS			
CATALOG NUMBER	A	B	C
HS221 & HS221NK	12.00 (300)	—	3.00 (75)
HS222 & HS222NK	24.00 (600)	1.00 (25)	7.00 (175)
HS223 & HS223NK	36.00 (900)	2.00 (50)	11.00 (275)
HS224 & HS224NK	48.00 (1200)	3.00 (75)	15.00 (375)
HS225 & HS225NK	60.00 (1500)	4.00 (100)	19.00 (475)
HS226 & HS226NK	72.00 (1800)	5.00 (125)	23.00 (575)
HS2210 & HS2210NK	120.00 (3000)	9.00 (225)	39.00 (975)

NK = No Knockouts

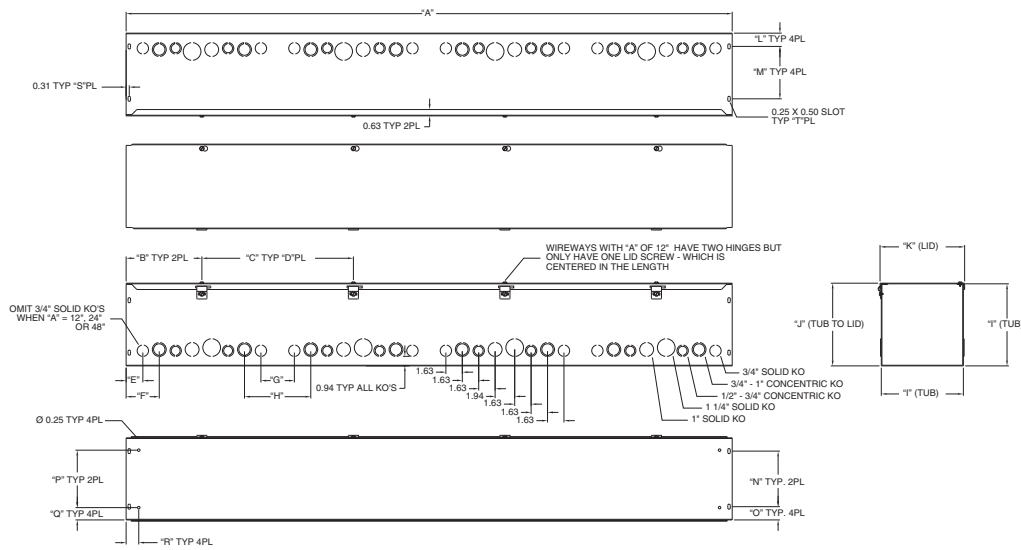


HS SERIES 2" STRAIGHT SECTION DIMENSIONS

**HS & S SERIES WIREWAY
NEMA 1 WIREWAY & FITTINGS**

HS SERIES 4", 6", AND 8" STRAIGHT SECTION DIMENSIONS																				
CATALOG NUMBER	A	B	C	D	E	F	G	H	I	J	K	L	M	N	O	P	Q	R	S	T
HS441 & HS441NK	12.00 (300)	3.00 (75)	6.00 (150)	—	—	1.78 (45)	—	—	4.12 (103)	4.19 (105)	4.38 (110)	2.44 (61)	—	—	2.06 (52)	2.69 (67)	.72 (18)	.94 (24)	6.00 (150)	6.00 (150)
HS442 & HS442NK	24.00 (600)	6.00 (150)	12.00 (300)	—	—	1.78 (45)	—	6.56 (164)	4.12 (103)	4.19 (105)	4.38 (110)	2.44 (61)	—	—	2.06 (52)	2.69 (67)	.72 (18)	.94 (24)	6.00 (150)	6.00 (150)
HS443 & HS443NK	36.00 (900)	9.00 (225)	18.00 (450)	—	3.16 (79)	—	6.31 (158)	—	4.12 (103)	4.19 (105)	4.38 (110)	2.44 (61)	—	—	2.06 (52)	2.69 (67)	.72 (18)	.94 (24)	6.00 (150)	6.00 (150)
HS444 & HS444NK	48.00 (1200)	6.00 (150)	12.00 (300)	3.00 (75)	—	1.78 (45)	—	6.56 (164)	4.12 (103)	4.19 (105)	4.38 (110)	2.44 (61)	—	—	2.06 (52)	2.69 (67)	.72 (18)	.94 (24)	6.00 (150)	6.00 (150)
HS445 & HS445NK	60.00 (1500)	7.50 (188)	15.00 (375)	3.00 (75)	1.66 (42)	—	3.31 (83)	—	4.12 (103)	4.19 (105)	4.38 (110)	2.44 (61)	—	—	2.06 (52)	2.69 (67)	.72 (18)	.94 (24)	6.00 (150)	6.00 (150)
HS446 & HS446NK	72.00 (1800)	9.00 (225)	18.00 (450)	3.00 (75)	3.16 (79)	—	6.31 (158)	—	4.12 (103)	4.19 (105)	4.38 (110)	2.44 (61)	—	—	2.06 (52)	2.69 (67)	.72 (18)	.94 (24)	6.00 (150)	6.00 (150)
HS4410 & HS4410NK	120.00 (3000)	7.50 (188)	15.00 (375)	7.00 (175)	1.66 (42)	—	3.31 (83)	—	4.12 (103)	4.19 (105)	4.38 (110)	2.44 (61)	—	—	2.06 (52)	2.69 (67)	.72 (18)	.94 (24)	6.00 (150)	6.00 (150)
HS661 & HS661NK	12.00 (300)	3.00 (75)	6.00 (150)	—	—	1.78 (45)	—	—	6.12 (153)	6.19 (155)	6.38 (160)	1.34 (34)	3.53 (88)	3.56 (89)	1.28 (52)	3.75 (67)	1.19 (18)	1.12 (24)	12.00 (150)	12.00 (150)
HS662 & HS662NK	24.00 (600)	6.00 (150)	12.00 (300)	—	—	1.78 (45)	—	6.56 (164)	6.12 (153)	6.19 (155)	6.38 (160)	1.34 (34)	3.53 (88)	3.56 (89)	1.28 (52)	3.75 (67)	1.19 (18)	1.12 (24)	12.00 (150)	12.00 (150)
HS663 & HS663NK	36.00 (900)	9.00 (225)	18.00 (450)	—	3.16 (79)	—	6.31 (158)	—	6.12 (153)	6.19 (155)	6.38 (160)	1.34 (34)	3.53 (88)	3.56 (89)	1.28 (52)	3.75 (67)	1.19 (18)	1.12 (24)	12.00 (150)	12.00 (150)
HS664 & HS664NK	48.00 (1200)	6.00 (150)	12.00 (300)	3.00 (75)	—	1.78 (45)	—	6.56 (164)	6.12 (153)	6.19 (155)	6.38 (160)	1.34 (34)	3.53 (88)	3.56 (89)	1.28 (52)	3.75 (67)	1.19 (18)	1.12 (24)	12.00 (150)	12.00 (150)
HS665 & HS665NK	60.00 (1500)	7.50 (188)	15.00 (375)	3.00 (75)	1.66 (42)	—	3.31 (83)	—	6.12 (153)	6.19 (155)	6.38 (160)	1.34 (34)	3.53 (88)	3.56 (89)	1.28 (52)	3.75 (67)	1.19 (18)	1.12 (24)	12.00 (150)	12.00 (150)
HS666 & HS666NK	72.00 (1800)	9.00 (225)	18.00 (450)	3.00 (75)	3.16 (79)	—	6.31 (158)	—	6.12 (153)	6.19 (155)	6.38 (160)	1.34 (34)	3.53 (88)	3.56 (89)	1.28 (52)	3.75 (67)	1.19 (18)	1.12 (24)	12.00 (150)	12.00 (150)
HS6610 & HS6610NK	120.00 (3000)	7.50 (188)	15.00 (375)	7.00 (175)	1.66 (42)	—	3.31 (83)	—	6.12 (153)	6.19 (155)	6.38 (160)	1.34 (34)	3.53 (88)	3.56 (89)	1.28 (52)	3.75 (67)	1.19 (18)	1.12 (24)	12.00 (150)	12.00 (150)
HS881 & HS881NK	12.00 (300)	3.00 (75)	6.00 (150)	—	—	1.78 (45)	—	—	8.12 (203)	8.19 (205)	8.38 (210)	1.31 (34)	5.19 (88)	5.50 (89)	1.31 (52)	1.69 (67)	1.22 (18)	1.25 (24)	12.00 (150)	12.00 (150)
HS882 & HS882NK	24.00 (600)	6.00 (150)	12.00 (300)	—	—	1.78 (45)	—	6.56 (164)	8.12 (203)	8.19 (205)	8.38 (210)	1.31 (34)	5.19 (88)	5.50 (89)	1.31 (52)	1.69 (67)	1.22 (18)	1.25 (24)	12.00 (150)	12.00 (150)
HS883 & HS883NK	36.00 (900)	9.00 (225)	18.00 (450)	—	3.16 (79)	—	6.31 (158)	—	8.12 (203)	8.19 (205)	8.38 (210)	1.31 (34)	5.19 (88)	5.50 (89)	1.31 (52)	1.69 (67)	1.22 (18)	1.25 (24)	12.00 (150)	12.00 (150)
HS884 & HS884NK	48.00 (1200)	6.00 (150)	12.00 (300)	3.00 (75)	—	1.78 (45)	—	6.56 (164)	8.12 (203)	8.19 (205)	8.38 (210)	1.31 (34)	5.19 (88)	5.50 (89)	1.31 (52)	1.69 (67)	1.22 (18)	1.25 (24)	12.00 (150)	12.00 (150)
HS885 & HS885NK	60.00 (1500)	7.50 (188)	15.00 (375)	3.00 (75)	1.66 (42)	—	3.31 (83)	—	8.12 (203)	8.19 (205)	8.38 (210)	1.31 (34)	5.19 (88)	5.50 (89)	1.31 (52)	1.69 (67)	1.22 (18)	1.25 (24)	12.00 (150)	12.00 (150)
HS886 & HS886NK	72.00 (1800)	9.00 (225)	18.00 (450)	3.00 (75)	3.16 (79)	—	6.31 (158)	—	8.12 (203)	8.19 (205)	8.38 (210)	1.31 (34)	5.19 (88)	5.50 (89)	1.31 (52)	1.69 (67)	1.22 (18)	1.25 (24)	12.00 (150)	12.00 (150)
HS8810 & HS8810NK	120.00 (3000)	7.50 (188)	15.00 (375)	7.00 (175)	1.66 (42)	—	3.31 (83)	—	8.12 (203)	8.19 (205)	8.38 (210)	1.31 (34)	5.19 (88)	5.50 (89)	1.31 (52)	1.69 (67)	1.22 (18)	1.25 (24)	12.00 (150)	12.00 (150)

NK = No Knockouts

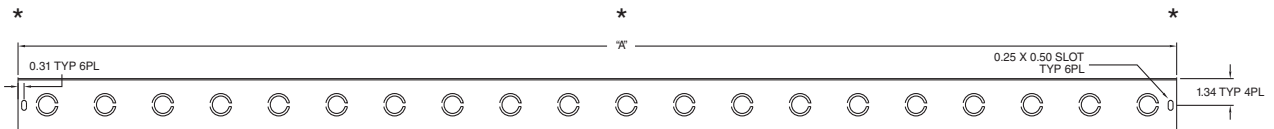


HS SERIES 4", 6" AND 8" STRAIGHT SECTION DIMENSIONS

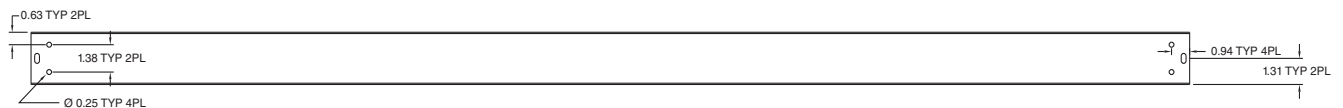
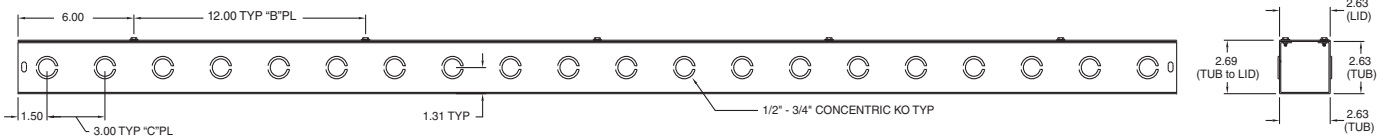
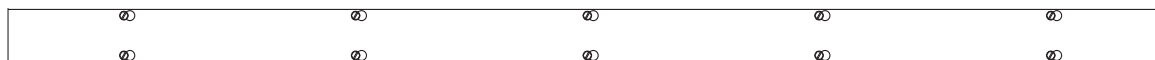
S SERIES 2" STRAIGHT SECTION DIMENSIONS

CATALOG NUMBER	A	B	C
S2212, S2212NK, S2212G AND S2212GNK	12.00 (300)	—	3.00 (75)
S2224, S2224NK, S2224G AND S2224GNK	24.00 (600)	1.00 (25)	7.00 (175)
S2236, S2236NK, S2236G AND S2236GNK	36.00 (900)	2.00 (50)	11.00 (275)
S2248, S2248NK, S2248G AND S2248GNK	48.00 (1200)	3.00 (75)	15.00 (375)
S2260, S2260NK, S2260G AND S2260GNK	60.00 (1500)	4.00 (100)	19.00 (475)
S2272, S2272NK, S2272G AND S2272GNK	72.00 (1800)	5.00 (125)	23.00 (575)
S22120, S22120NK, S22120G AND S22120GNK	120.00 (3000)	9.00 (225)	39.00 (975)

NK = No Knockouts



* Factory suggestions for Mounting Bracket Hangers on 10' sections.

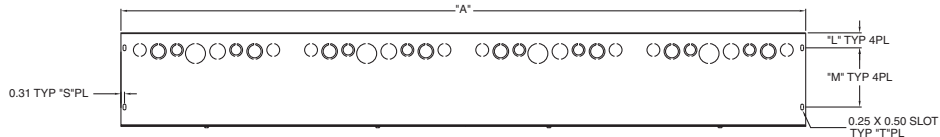


S SERIES 2" STRAIGHT SECTION DIMENSIONS

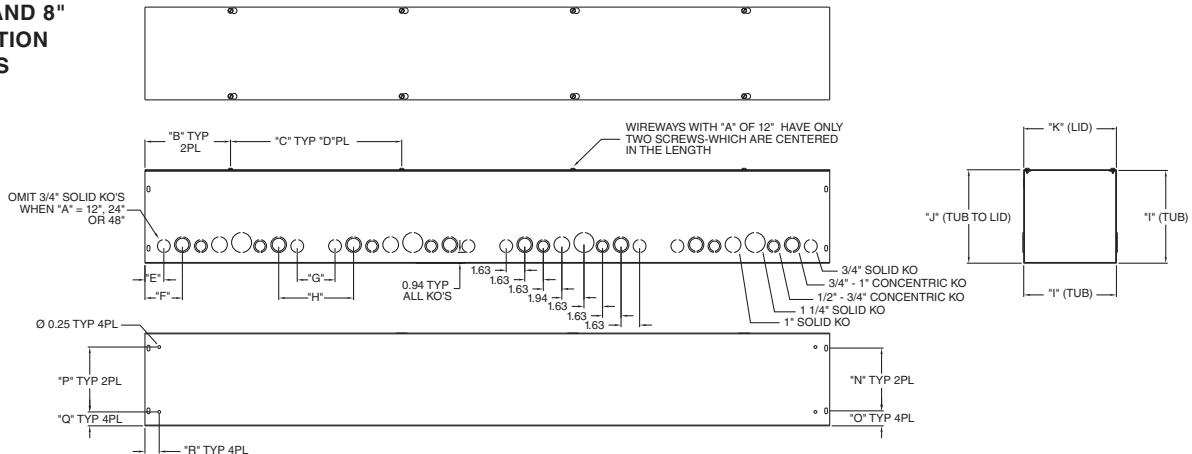
S SERIES 4", 6", AND 8" STRAIGHT SECTION DIMENSIONS

CATALOG NUMBER	A	B	C	D	E	F*	G*	H*	I	J	K	L	M	N	O	P	Q	R	S	T
S4412, S4412G, S4412NK & S4412GNK	12.00 (300)	3.00 (75)	6.00 (150)	—	—	1.78 (45)	—	—	4.12 (103)	4.19 (105)	3.19 (80)	2.44 (61)	—	—	2.06 (52)	2.69 (67)	.72 (18)	.94 (24)	6.00 (150)	6.00 (150)
S4424, S4424G, S4424NK & S4424GNK	24.00 (600)	6.00 (150)	12.00 (300)	—	—	1.78 (45)	—	3.56 (89)	4.12 (103)	4.19 (105)	3.19 (80)	2.44 (61)	—	—	2.06 (52)	2.69 (67)	.72 (18)	.94 (24)	6.00 (150)	6.00 (150)
S4436, S4436G, S4436NK & S4436GNK	36.00 (900)	9.00 (225)	18.00 (450)	—	3.16 (79)	—	6.31 (158)	—	4.12 (103)	4.19 (105)	3.19 (80)	2.44 (61)	—	—	2.06 (52)	2.69 (67)	.72 (18)	.94 (24)	6.00 (150)	6.00 (150)
S4448, S4448G, S4448NK & S4448GNK	48.00 (1200)	6.00 (150)	12.00 (300)	3.00 (75)	—	1.78 (45)	—	3.56 (89)	4.12 (103)	4.19 (105)	3.19 (80)	2.44 (61)	—	—	2.06 (52)	2.69 (67)	.72 (18)	.94 (24)	6.00 (150)	6.00 (150)
S4460, S4460G, S4460NK & S4460GNK	60.00 (1500)	7.50 (188)	15.00 (375)	3.00 (75)	1.66 (42)	—	3.31 (83)	—	4.12 (103)	4.19 (105)	3.19 (80)	2.44 (61)	—	—	2.06 (52)	2.69 (67)	.72 (18)	.94 (24)	6.00 (150)	6.00 (150)
S4472, S4472G, S4472NK & S4472GNK	72.00 (1800)	9.00 (225)	18.00 (450)	3.00 (75)	3.16 (79)	—	6.31 (158)	—	4.12 (103)	4.19 (105)	3.19 (80)	2.44 (61)	—	—	2.06 (52)	2.69 (67)	.72 (18)	.94 (24)	6.00 (150)	6.00 (150)
S44120, S44120G, S44120NK & S44120GNK	120.00 (3000)	7.50 (188)	15.00 (375)	7.00 (175)	1.66 (42)	—	3.31 (83)	—	4.12 (103)	4.19 (105)	3.19 (80)	2.44 (61)	—	—	2.06 (52)	2.69 (67)	.72 (18)	.94 (24)	6.00 (150)	6.00 (150)
S6612, S6612G, S6612NK & S6612GNK	12.00 (300)	3.00 (75)	6.00 (150)	—	—	1.78 (45)	—	—	6.12 (153)	6.19 (155)	5.19 (130)	1.34 (34)	3.53 (88)	3.56 (89)	1.28 (52)	3.75 (67)	1.19 (18)	1.12 (24)	12.00 (150)	12.00 (150)
S6624, S6624G, S6624NK & S6624GNK	24.00 (600)	6.00 (150)	12.00 (300)	—	—	1.78 (45)	—	3.56 (89)	6.12 (153)	6.19 (155)	5.19 (130)	1.34 (34)	3.53 (88)	3.56 (89)	1.28 (52)	3.75 (67)	1.19 (18)	1.12 (24)	12.00 (150)	12.00 (150)
S6636, S6636G, S6636NK & S6636GNK	36.00 (900)	9.00 (225)	18.00 (450)	—	3.16 (79)	—	6.31 (158)	—	6.12 (153)	6.19 (155)	5.19 (130)	1.34 (34)	3.53 (88)	3.56 (89)	1.28 (52)	3.75 (67)	1.19 (18)	1.12 (24)	12.00 (150)	12.00 (150)
S6648, S6648G, S6648NK & S6648GNK	48.00 (1200)	6.00 (150)	12.00 (300)	3.00 (75)	—	1.78 (45)	—	3.56 (89)	6.12 (153)	6.19 (155)	5.19 (130)	1.34 (34)	3.53 (88)	3.56 (89)	1.28 (52)	3.75 (67)	1.19 (18)	1.12 (24)	12.00 (150)	12.00 (150)
S6660, S6660G, S6660NK & S6660GNK	60.00 (1500)	7.50 (188)	15.00 (375)	3.00 (75)	1.66 (42)	—	3.31 (83)	—	6.12 (153)	6.19 (155)	5.19 (130)	1.34 (34)	3.53 (88)	3.56 (89)	1.28 (52)	3.75 (67)	1.19 (18)	1.12 (24)	12.00 (150)	12.00 (150)
S6672, S6672G, S6672NK & S6672GNK	72.00 (1800)	9.00 (225)	18.00 (450)	3.00 (75)	3.16 (79)	—	6.31 (158)	—	6.12 (153)	6.19 (155)	5.19 (130)	1.34 (34)	3.53 (88)	3.56 (89)	1.28 (52)	3.75 (67)	1.19 (18)	1.12 (24)	12.00 (150)	12.00 (150)
S88120, S88120G, S88120NK & S88120GNK	120.00 (3000)	7.50 (188)	15.00 (375)	7.00 (175)	1.66 (42)	—	3.31 (83)	—	6.12 (153)	6.19 (155)	5.19 (130)	1.34 (34)	3.53 (88)	3.56 (89)	1.28 (52)	3.75 (67)	1.19 (18)	1.12 (24)	12.00 (150)	12.00 (150)
S8812, S8812G, S8812NK & S8812GNK	12.00 (300)	3.00 (75)	6.00 (150)	—	—	1.78 (45)	—	—	8.12 (203)	8.19 (205)	7.94 (199)	1.31 (34)	5.19 (88)	5.50 (89)	1.31 (52)	1.69 (67)	1.22 (18)	1.25 (24)	12.00 (150)	12.00 (150)
S8824, S8824G, S8824NK & S8824GNK	24.00 (600)	6.00 (150)	12.00 (300)	—	—	1.78 (45)	—	3.56 (89)	8.12 (203)	8.19 (205)	7.94 (199)	1.31 (34)	5.19 (88)	5.50 (89)	1.31 (52)	1.69 (67)	1.22 (18)	1.25 (24)	12.00 (150)	12.00 (150)
S8836, S8836G, S8836NK & S8836GNK	36.00 (900)	9.00 (225)	18.00 (450)	—	3.16 (79)	—	6.31 (158)	—	8.12 (203)	8.19 (205)	7.94 (199)	1.31 (34)	5.19 (88)	5.50 (89)	1.31 (52)	1.69 (67)	1.22 (18)	1.25 (24)	12.00 (150)	12.00 (150)
S8848, S8848G, S8848NK & S8848GNK	48.00 (1200)	6.00 (150)	12.00 (300)	3.00 (75)	—	1.78 (45)	—	3.56 (89)	8.12 (203)	8.19 (205)	7.94 (199)	1.31 (34)	5.19 (88)	5.50 (89)	1.31 (52)	1.69 (67)	1.22 (18)	1.25 (24)	12.00 (150)	12.00 (150)
S8860, S8860G, S8860NK & S8860GNK	60.00 (1500)	7.50 (188)	15.00 (375)	3.00 (75)	1.66 (42)	—	3.31 (83)	—	8.12 (203)	8.19 (205)	7.94 (199)	1.31 (34)	5.19 (88)	5.50 (89)	1.31 (52)	1.69 (67)	1.22 (18)	1.25 (24)	12.00 (150)	12.00 (150)
S8872, S8872G, S8872NK & S8872GNK	72.00 (1800)	9.00 (225)	18.00 (450)	3.00 (75)	3.16 (79)	—	6.31 (158)	—	8.12 (203)	8.19 (205)	7.94 (199)	1.31 (34)	5.19 (88)	5.50 (89)	1.31 (52)	1.69 (67)	1.22 (18)	1.25 (24)	12.00 (150)	12.00 (150)
S88120, S88120G, S88120NK & S88120GNK	120.00 (3000)	7.50 (188)	15.00 (375)	7.00 (175)	1.66 (42)	—	3.31 (83)	—	8.12 (203)	8.19 (205)	7.94 (199)	1.31 (34)	5.19 (88)	5.50 (89)	1.31 (52)	1.69 (67)	1.22 (18)	1.25 (24)	12.00 (150)	12.00 (150)

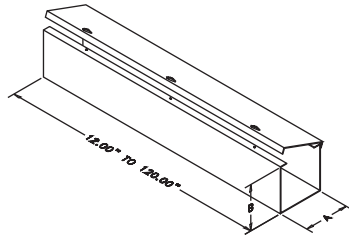
NK = No Knockouts
G = Galvanized



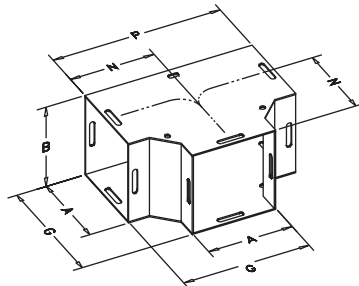
**S SERIES 4", 6" AND 8"
STRAIGHT SECTION
DIMENSIONS**



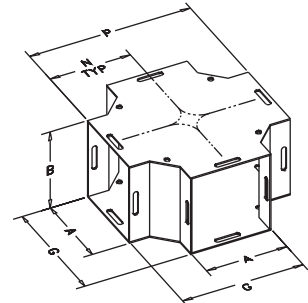
HS & S SERIES ACCESSORIES DIMENSIONS										
A X B	G	H	J	K	L	M	N	O	P	Q
2.50x2.50 (64x64)	4.5 (114)	2.75 (70)	7.91(201)	7.75 (197)	4.63 (117)	3.31 (84)	3.25 (83)	3.75 (95)	6.5 (165)	—
4.00x4.00 (102x102)	6.00 (152)	3.38 (86)	9.41 (239)	10.75 (273)	6.13 (153)	4.06 (103)	4.00 (102)	5.25 (133)	8.00 (203)	—
6.00x6.00 (152x152)	8.00 (152)	4.25 (108)	11.34 (288)	14.75 (375)	8.13 (206)	3.28 (83)	5.00 (127)	7.25 (184)	10.00 (254)	6.84 (174)
8.00x8.00 (203x203)	10.00 (254)	5.06 (129)	13.44 (341)	18.75 (476)	10.13 (257)	3.28 (83)	6.00 (152)	9.25 (235)	12.00 (305)	8.84 (225)
12.00x12.00 (305x305)	14.00 (356)	6.75 (171)	17.44 (443)	56.75 (679)	14.13 (359)	6.25 (159)	8.00 (203)	13.25 (337)	16.00 (406)	9.88 (251)



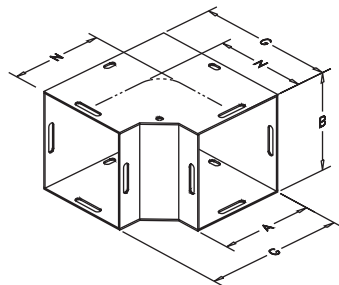
Straight Section



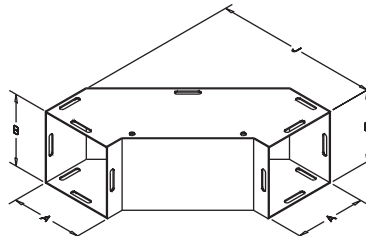
Tee



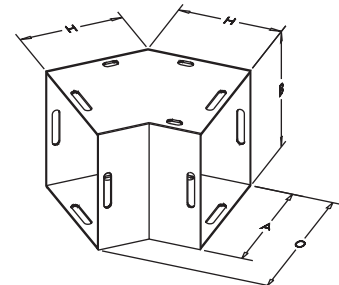
Cross



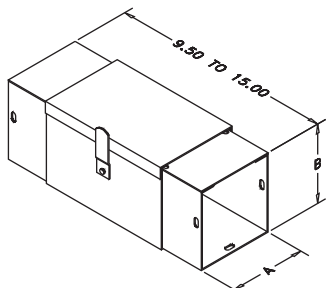
90° Elbow



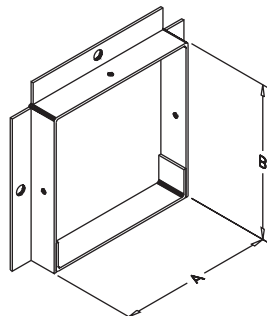
Sweep Elbow



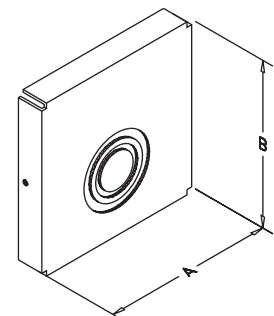
45° Elbow



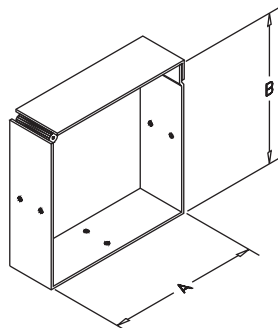
Telescope Fitting



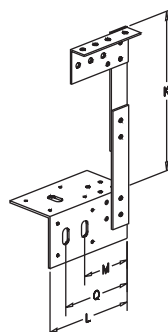
Panel Adapter



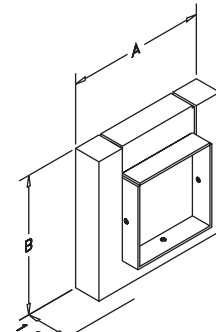
End Cap



Connector



Combination Hanger



Reducer



LJW24

Industry Standards

UL 870

NEMA Type 12

UL Files E32576

CSA File LL66078

FEATURES-SPECIFICATIONS
Applications

Designed to protect electrical wiring from dirt, dust, oil, and water. All straight sections and fittings feature an open-top design for easy "lay-in" of wiring. No "pulling through" of wires and cables is required with this design.

A complete selection of straight sections and fittings are offered in five sizes (H x W):

- 2.50" x 2.50" (64 x 64)
- 4.00" x 4.00" (102 x 102)
- 6.00" x 6.00" (152 x 152)
- 8.00" x 8.00" (203 x 203)
- 6.00" x 12.00" (152 x 305)

Construction

- Bodies and covers are fabricated from 14 gauge steel. 6.00" x 12.00" bodies and covers are fabricated from 12 gauge steel
- End flanges are fabricated from 10 gauge steel
- Continuously welded seams ground smooth, no holes or knockouts

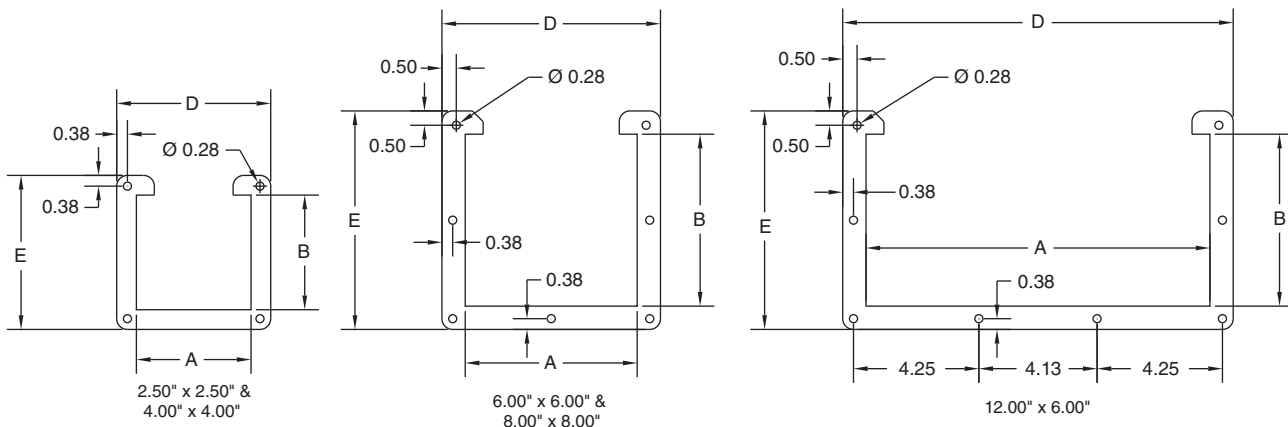
- Smooth rounded edges on all sections and fittings prevent damage to wire insulation
- Closed cell oil resistant neoprene gasket
- Solid oil-resistant gasket positioned between flanges when sections and fittings are bolted together
- Heavy butt hinges and external quick release clamps insure a complete seal between covers and body yet permit immediate access to wireway interior
- Gasketed quick-release captivated sealing plate provides complete seal at each joint
- All necessary gaskets, nuts, and bolts furnished for efficient assembly

Finish

- ANSI 61 gray polyester powder inside and out over phosphatized surfaces

LJW SERIES LAY-IN WIREWAY (STRAIGHT SECTIONS)					
CATALOG NUMBER					DESCRIPTION
2.50 X 2.50 (64 X 64)	4.00 X 4.00 (102 X 102)	6.00 X 6.00 (152 X 152)	8.00 X 8.00 (203 X 203)	6.00 X 12.00* (152 X 305)	
LJW21	LJW41	LJW61	LJW81	LJW1261	12.00" (205)
LJW22	LJW42	LJW62	LJW82	LJW1262	24.00" (610)
LJW23	LJW43	LJW63	LJW83	LJW1263	36.00" (914)
LJW24	LJW44	LJW64	LJW84	LJW1264	48.00" (1219)
LJW25	LJW45	LJW65	LJW85	LJW1265	60.00" (1524)
LJW210	LJW410	LJW610	LJW810	LJW12610	120.00" (3048)

*6.00 x 12.00 wireway bodies are fabricated from 12 gauge steel.

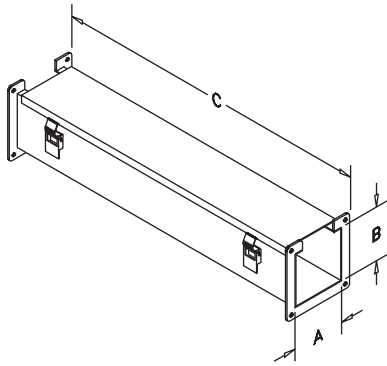


**LJW SERIES
NEMA 12 LAY-IN WIREWAY & FITTINGS**

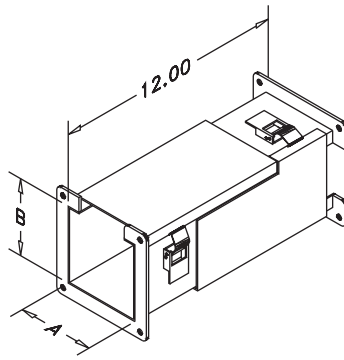
G9

LJW SERIES LAY-IN WIREWAY (FITTINGS)					
CATALOG NUMBER					DESCRIPTION
2.50 X 2.50 (64 X 64)	4.00 X 4.00 (102 X 102)	6.00 X 6.00 (152 X 152)	8.00 X 8.00 (203 X 203)	6.00 X 12.00 (152 X 305)	
LJWS2	LJWS4	LJWS6	LJWS8	LJWS126	Telescope (not UL listed)
LJWF2	LJWF4	LJWF6	LJWF8	LJWF126	Lay-in, cut-off
LJWL902A	LJWL904A	LJWL906A	LJWL908A	LJWL90126A	90 Degree el top
LJWL902B	LJWL904B	LJWL906B	LJWL908B	LJWL90126B	90 Degree el inside
LJWL902C	LJWL904C	LJWL906C	LJWL908C	LJWL90126C	90 Degree el outside
LJWL452A	LJWL454A	LJWL456A	LJWL458A	LJWL45126A	45 Degree el top
LJWL452B	LJWL454B	LJWL456B	LJWL458B	—	45 Degree el inside
LJWL452C	LJWL454C	LJWL456C	LJWL458C	—	45 Degree el outside
LJWT2A	LJWT4A	LJWT6A	LJWT8A	LJWT126A	Tee-top
LJWT2C	LJWT4C	LJWT6C	LJWT8C	—	Tee-outside
LJWX2	LJWX4	LJWX6	LJWX8	LJWX126	Cross
LJWE2	LJWE4	LJWE6	LJWE8	LJWE126	Closure plate
LJWA2	LJWA4	LJWA6	LJWA8	LJWA126	Box connector
—	LJWRB42	—	—	—	Reducer 4.00x4.00 to 4.00x2.50
—	—	LJWRB64	—	—	Reducer 6.00x6.00 to 4.00x4.00
—	—	—	LJWRB86	—	Reducer 8.00x8.00 to 6.00x6.00
—	—	—	—	LJWRB1266	Reducer 12.00x6.00 to 6.00x6.00
JWD2	JWD4	JWD6	JWD8	—	Drop-hanger
JWBH2	JWBH4	JWBH6	JWBH8	—	Bracket-hanger
LJWN221	LJWN441	LJWN661	LJWN881	—	1.00" Nipple
LJWN222	LJWN442	LJWN662	LJWN882	—	2.00" Nipple
LJWN223	LJWN443	LJWN663	LJWN883	—	3.00" Nipple
LJWN226	LJWN446	LJWN666	LJWN886	LJWN1266	6.00" Nipple
LJW21CW	LJW41CW	LJW61CW	LJW81CW	—	12" Length clockwise transposition straight section
LJW21CCW	LJW41CCW	LJW61CCW	LJW81CCW	—	12" Length counter clockwise transposition straight section
LJWL902CW	LJWL904CW	LJW906CW	LJW908CW	—	90 Degree elbow clockwise
LJWL902CCW	LJWL904CCW	LJWL906CCW	LJWL908CCW	—	90 Degree elbow counter clockwise
LJW2QRSP	LJW4QRSP	LJW6QRSP	LJW8QRSP	LJW126QRSP	Quick release flat sealing plate
LJW2ASP	LJW4ASP	LJW6ASP	LJW8ASP	LJW126ASP	90 Degree angle sealing plate
—	JW4BK60	JW6BK60	JW8BK60	JW6BK60	60.00" Barrier kit

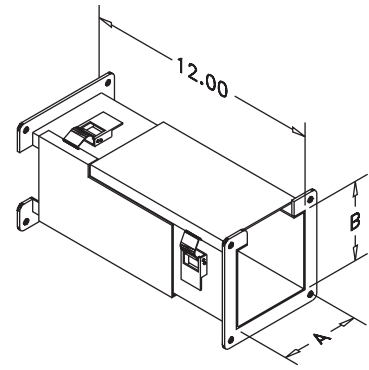
LJW SERIES WIREWAYS & FITTINGS DIMENSIONS																		
A X B	C - LENGTH							D	E	G	H	J	K	P	R	S	T	U
2.50x2.50 (64x64)	6.00 (152)	12.00 (305)	24.00 (610)	36.00 (914)	48.00 (1219)	60.00 (1524)	120.00 (3048)	3.88 (99)	3.88 (99)	8.50 (216)	4.13 (105)	2.00 (51)	4.25 (108)	4.63 (118)	3.75 (95)	9.31 (237)	4.50 (114)	4.38 (111)
4.00x4.00 (102x102)	6.00 (152)	12.00 (305)	24.00 (610)	36.00 (914)	48.00 (1219)	60.00 (1524)	120.00 (3048)	5.38 (137)	5.38 (137)	10.00 (254)	5.00 (127)	2.44 (62)	5.00 (127)	6.13 (156)	3.75 (95)	11.75 (298)	6.00 (152)	5.88 (149)
6.00x6.00 (152x152)	6.00 (152)	12.00 (305)	24.00 (610)	36.00 (914)	48.00 (1219)	60.00 (1524)	120.00 (3048)	7.63 (194)	7.63 (194)	12.00 (305)	6.00 (152)	3.00 (76)	6.00 (152)	8.25 (210)	3.75 (95)	15.25 (387)	8.13 (207)	7.88 (200)
8.00x8.00 (203x203)	6.00 (152)	12.00 (305)	24.00 (610)	36.00 (914)	48.00 (1219)	60.00 (1524)	120.00 (3048)	9.63 (245)	9.63 (245)	14.00 (356)	7.00 (178)	3.75 (95)	7.00 (178)	10.25 (260)	3.75 (95)	20.56 (522)	12.13 (308)	9.88 (251)
12.00x6.00 (305x152)	6.00 (152)	12.00 (305)	24.00 (610)	36.00 (914)	48.00 (1219)	60.00 (1524)	120.00 (3048)	13.63 (346)	7.63 (194)	18.00 (457)	6.00 (152)	4.75 (121)	9.00 (229)	—	—	—	—	—



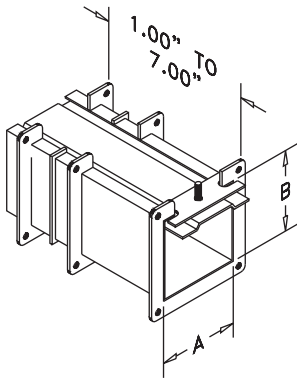
Straight



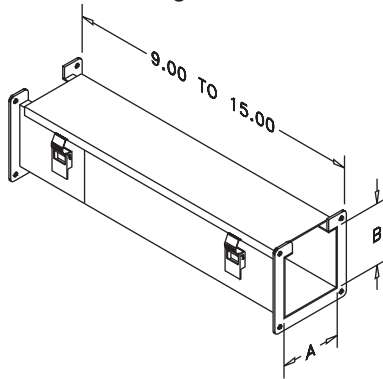
**Clockwise Transposition
Straight Section**



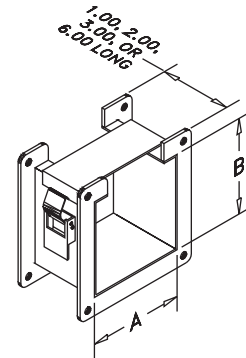
**Counter-Clockwise Transposition
Straight Section**



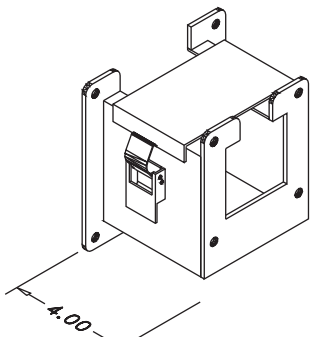
Lay-In Telescope Fitting



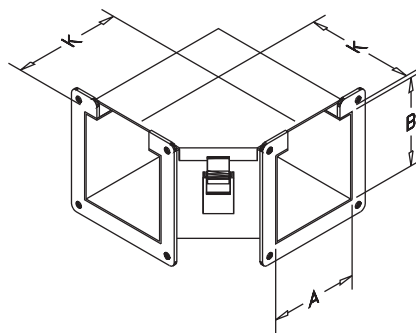
Lay-In Cut-Off Fitting



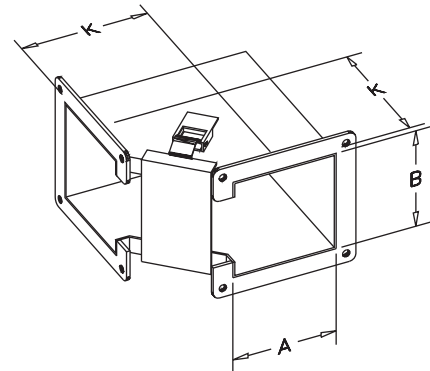
Nipple



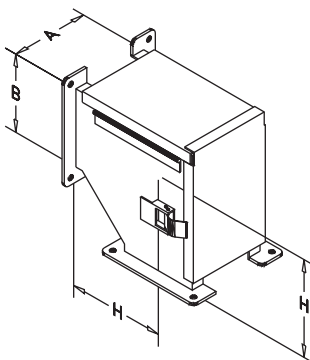
Reducer



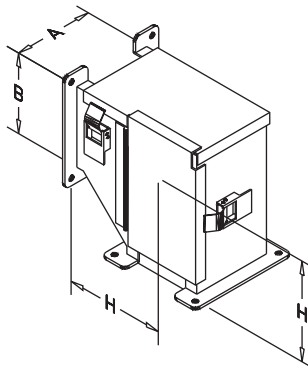
90° Elbow Top Opening



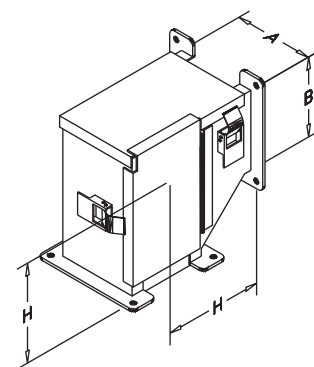
90° Elbow Inside Opening



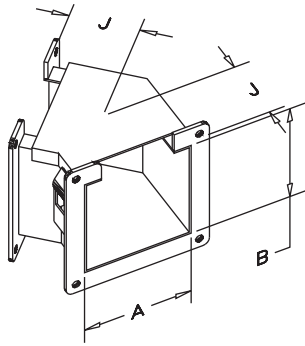
90° Elbow Outside Opening



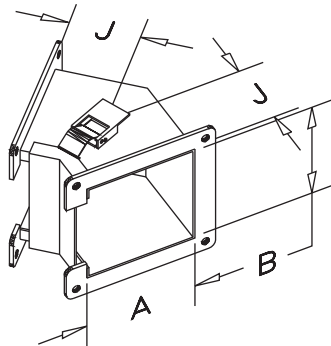
90° Elbow Clockwise Transposition



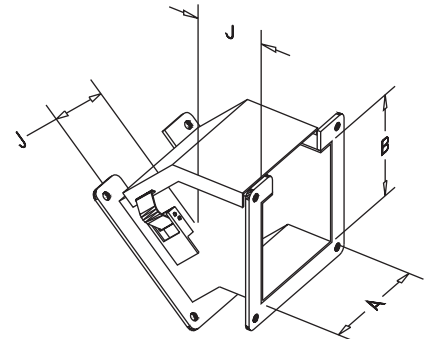
**90° Elbow Counter-Clockwise
Transposition**



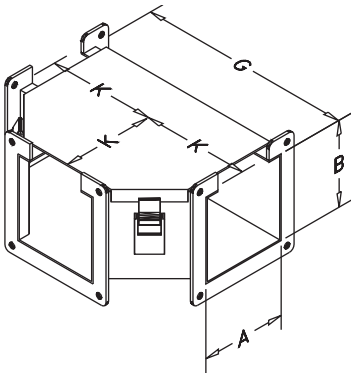
45° Elbow Top Opening



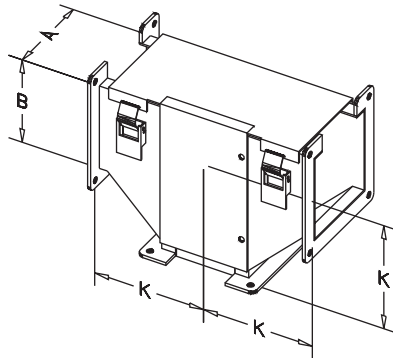
45° Elbow Inside Opening



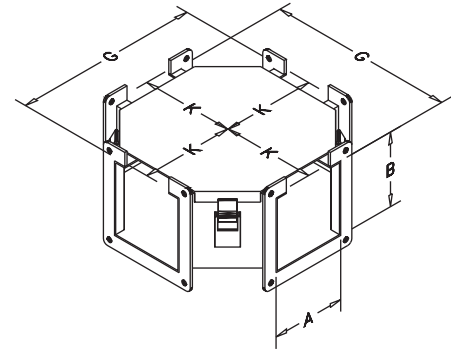
45° Elbow Outside Opening



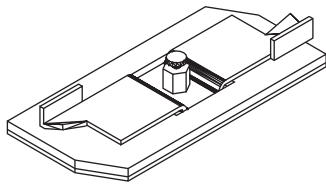
Tee Top Opening



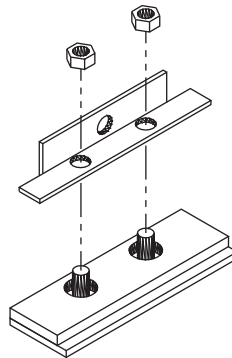
Tee Outside Opening



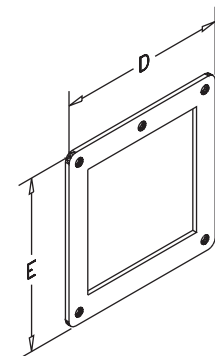
Cross



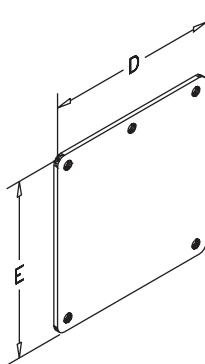
Quick Release Flat Sealing Plate



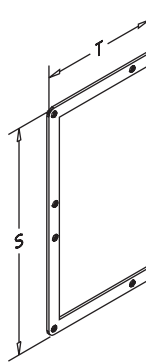
90° Angle Sealing Plate



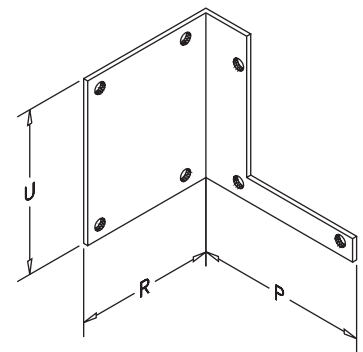
Box Connector



Closure Plate



Drop Hanger



Bracket Hanger



JW24

Industry Standards

UL 870
NEMA Type 12

 UL Files E32576

 CSA File LL66078

FEATURES-SPECIFICATIONS

Applications

Designed to protect electrical wiring from dirt, dust, oil, and water. All straight sections feature a hinged-top design for easy wiring.

A complete selection of sections and fittings is offered in four sizes (H x W):

- 2.50" x 2.50" (64 x 64)
- 4.00" x 4.00" (102 x 102)
- 6.00" x 6.00" (152 x 152)
- 8.00" x 8.00" (203 x 203)

Construction

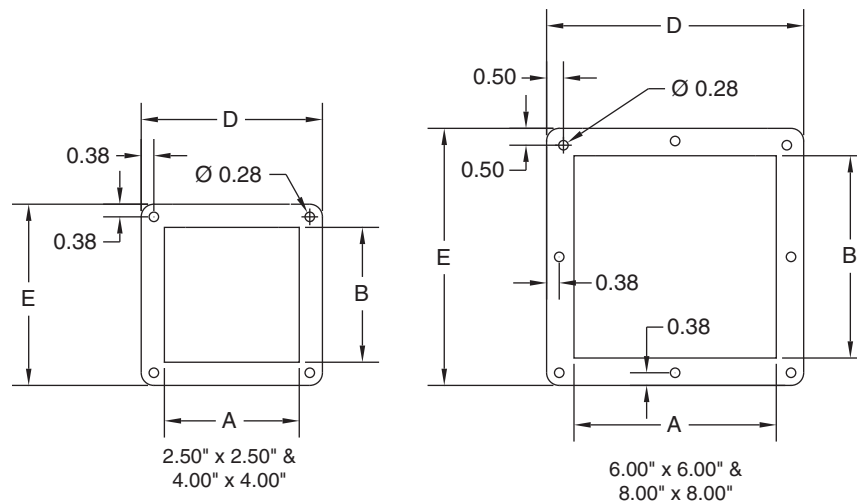
- Bodies and covers are fabricated from 14 gauge steel
- End flanges are fabricated from 10 gauge steel
- Continuously welded seams ground smooth, no holes or knockouts
- Smooth rounded edges on all sections and fittings prevent damage to insulation
- Closed cell oil resistant neoprene gasket

- Solid oil resistant gasket is furnished to provide complete seal at each joint
- Heavy butt hinges and external screw clamps to insure a complete seal between covers and bodies
- Screw clamps are quick and easy to operate, with no loose parts
- All necessary gaskets, nuts and bolts furnished for efficient assembly

Finish

- ANSI 61 gray polyester powder inside and out over phosphatized surfaces

JW SERIES FEED THROUGH WIREWAY (STRAIGHT SECTIONS)				
CATALOG NUMBER				DESCRIPTION
2.50 X 2.50 (64 X 64)	4.00 X 4.00 (102 X 102)	6.00 X 6.00 (152 X 152)	8.00 X 8.00 (203 X 203)	
JW21	JW41	JW61	JW81	12.00" (205)
JW22	JW42	JW62	JW82	24.00" (610)
JW23	JW43	JW63	JW83	36.00" (914)
JW24	JW44	JW64	JW84	48.00" (1219)
JW25	JW45	JW65	JW85	60.00" (1524)
JW210	JW410	JW610	JW810	120.00" (3048)



JW SERIES FEED THROUGH WIREWAY (FITTINGS)				
CATALOG NUMBER				DESCRIPTION
2.50 x 2.50 (64 x 64)	4.00 x 4.00 (102 x 102)	6.00 x 6.00 (152 x 152)	8.00 x 8.00 (203 x 203)	
JWS2	JWS4	JWS6	JWS8	Telescope*
JWF2	JWF4	JWF6	JWF8	Cut-off (1 set of gaskets and screws included)
JWL902	JWL904	JWL906	JWL908	90 Degree elbow (1 set of gaskets and screws included)
JWL452	JWL454	JWL456	JWL458	45 Degree elbow (1 set of gaskets and screws included)
JWT2	JWT4	JWT6	JWT8	Tee-top (2 sets of gaskets and screws included)
JWX2	JWX4	JWX6	JWX8	Cross (3 sets of gaskets and screws included)
JWE2	JWE4	JWE6	JWE8	End plate (1 set of gaskets and screws included)
JWA2	JWA4	JWA6	JWA8	Box adaptor (1 set of gaskets and screws included)
—	JWRB42C	—	—	Reducer 4.00" (102) to 2.50" (54) center hole**
—	—	JWRB64C	—	Reducer 6.00" (152) to 4.00" (102) center hole**
—	—	—	JWRB84C	Reducer 8.00" (203) to 4.00" (102) center hole**
—	—	—	JWRB86C	Reducer 8.00"(203) to 6.00" (152) center hole**
JWD2	JWD4	JWD6	JWD8	Drop-hanger
JWBH2	JWBH4	JWBH6	JWBH8	Bracket-hanger
JWN221	JWN441	JWN661	JWN881	1.00" Nipple
JWN222	JWN442	JWN662	JWN882	2.00" Nipple
JWN223	JWN443	JWN663	JWN883	3.00" Nipple
JWN226	JWN446	JWN666	JWN886	6.00" Nipple
JWSC22	JWSC44	JWSC66	—	Swivel nipple-regular
JWFF2	JWFF4	JWFF6	JWFF8	Flexible fitting***
—	JW4BK60	JW6BK60	JW8BK60	60.00" Barrier kit
JWG22	JWG44	JWG66	JWG88	Extra gasket and screws

*Not UL listed.

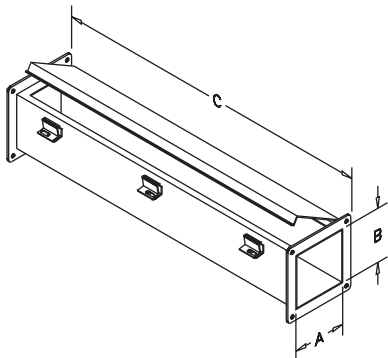
**One set of gaskets and screws included with all reducers.

***Minimum length 3", maximum length 8".

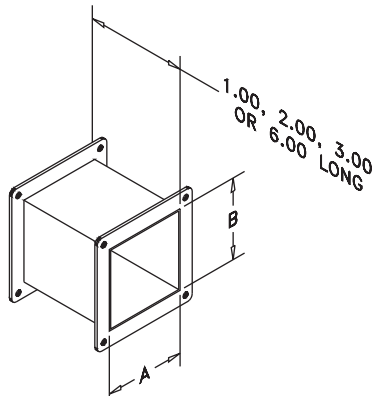
JW SERIES WIREWAY & FITTINGS DIMENSIONS																		
A X B	C - LENGTH						D	E	F	G	H	J	K	P	R	S	T	U
2.50x2.50 (64x64)	12.00 (305)	24.00 (610)	36.00 (914)	48.00 (1219)	60.00 (1524)	120.00 (3048)	3.88 (99)	3.88 (99)	5.50 (140)	8.50 (216)	2.50 (64)	2.00 (51)	4.25 (108)	4.63 (118)	3.75 (95)	9.31 (236)	4.50 (114)	4.38 (111)
4.00x4.00 (102x102)	12.00 (305)	24.00 (610)	36.00 (914)	48.00 (1219)	60.00 (1524)	120.00 (3048)	5.38 (137)	5.38 (137)	7.00 (178)	10.00 (254)	3.25 (83)	2.44 (62)	5.00 (127)	6.13 (156)	3.75 (95)	11.75 (298)	6.00 (152)	5.88 (149)
6.00x6.00 (152x152)	12.00 (305)	24.00 (610)	36.00 (914)	48.00 (1219)	60.00 (1524)	120.00 (3048)	7.63 (194)	7.63 (194)	9.00 (229)	12.00 (305)	4.25 (108)	3.00 (76)	6.00 (152)	8.25 (210)	3.75 (95)	15.25 (387)	8.13 (207)	7.88 (200)
8.00x8.00 (203x203)	12.00 (305)	24.00 (610)	36.00 (914)	48.00 (1219)	60.00 (1524)	120.00 (3048)	9.63 (245)	9.63 (245)	11.00 (279)	14.00 (356)	5.25 (133)	3.75 (95)	7.00 (178)	10.25 (260)	3.75 (95)	20.56 (522)	12.13 (308)	9.88 (251)

JW SERIES WIREWAY & FITTINGS DIMENSIONS

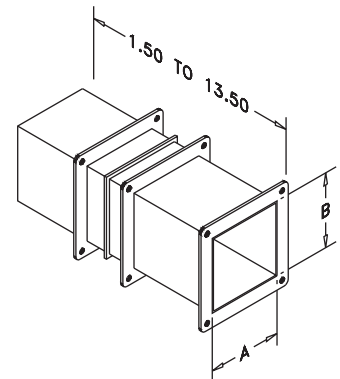
A X B	C - LENGTH						D	E	F	G	H	J	K	P	R	S	T	U
2.50x2.50 (64x64)	12.00 (305)	24.00 (610)	36.00 (914)	48.00 (1219)	60.00 (1524)	120.00 (3048)	3.88 (99)	3.88 (99)	5.50 (140)	8.50 (216)	2.50 (64)	2.00 (51)	4.25 (108)	4.63 (118)	3.75 (95)	9.31 (236)	4.50 (114)	4.38 (111)
4.00x4.00 (102x102)	12.00 (305)	24.00 (610)	36.00 (914)	48.00 (1219)	60.00 (1524)	120.00 (3048)	5.38 (137)	5.38 (137)	7.00 (178)	10.00 (254)	3.25 (83)	2.44 (62)	5.00 (127)	6.13 (156)	3.75 (95)	11.75 (298)	6.00 (152)	5.88 (149)
6.00x6.00 (152x152)	12.00 (305)	24.00 (610)	36.00 (914)	48.00 (1219)	60.00 (1524)	120.00 (3048)	7.63 (194)	7.63 (194)	9.00 (229)	12.00 (305)	4.25 (108)	3.00 (76)	6.00 (152)	8.25 (210)	3.75 (95)	15.25 (387)	8.13 (207)	7.88 (200)
8.00x8.00 (203x203)	12.00 (305)	24.00 (610)	36.00 (914)	48.00 (1219)	60.00 (1524)	120.00 (3048)	9.63 (245)	9.63 (245)	11.00 (279)	14.00 (356)	5.25 (133)	3.75 (95)	7.00 (178)	10.25 (260)	3.75 (95)	20.56 (522)	12.13 (308)	9.88 (251)



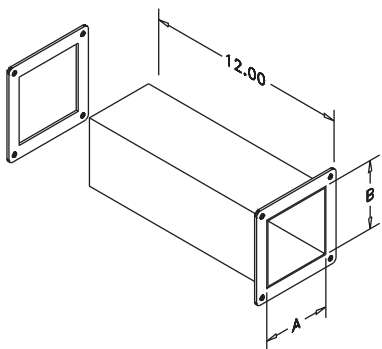
Straight Section



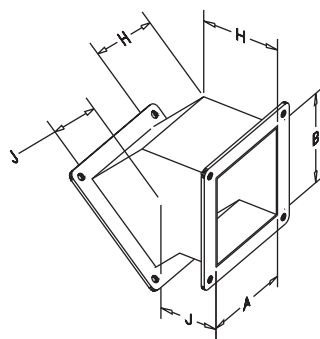
Nipple



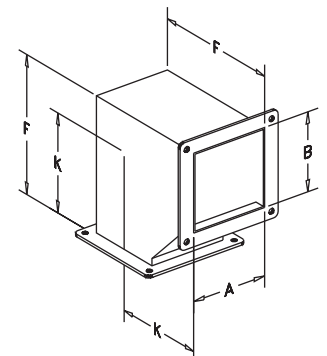
Telescope Fitting



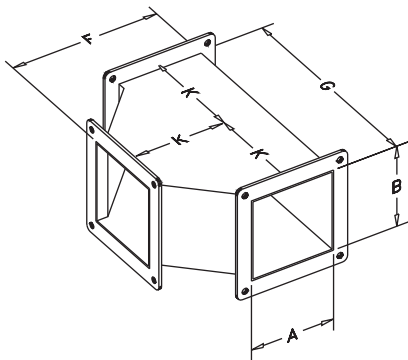
Cut-Off Fitting



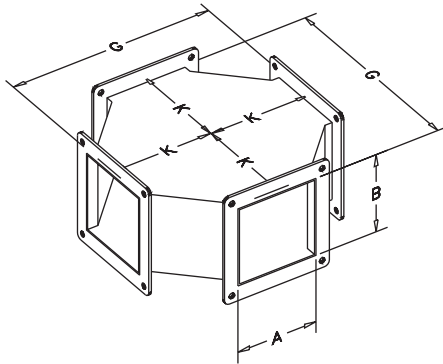
45° Elbow



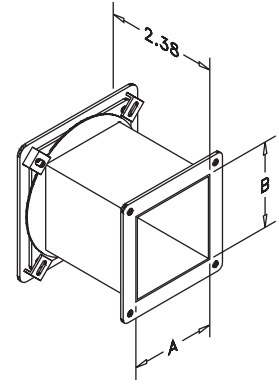
90° Elbow



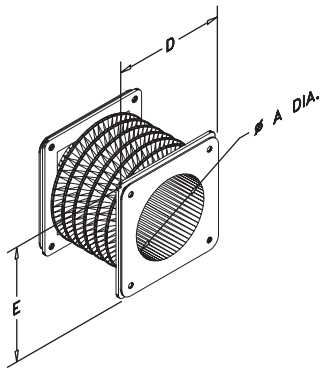
Tee



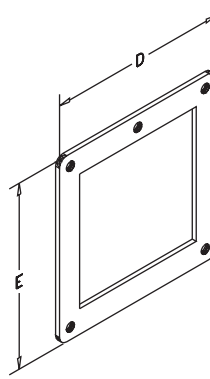
Cross



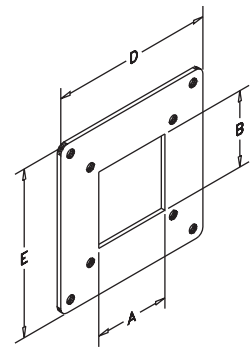
Swivel Nipple



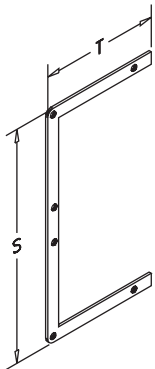
Flexible Fitting



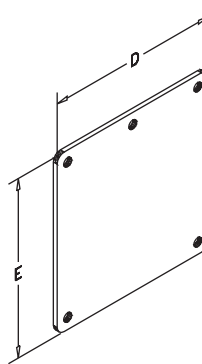
Box Connector



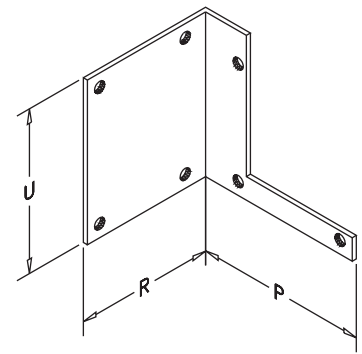
Reducer Center Hole



Drop Hanger



Closure Plate



Bracket Hanger



SSJW42

Industry Standards

UL 870
NEMA Type 4X & 12
Fittings pending 4X

 UL Files E32576

 CSA File LL66078

FEATURES-SPECIFICATIONS
Applications

Designed to protect electrical wiring in areas where corrosion problems exist.

A complete selection of sections and fittings is offered in two sizes:

4.00" x 4.00" (102 x 102)

6.00" x 6.00" (152 x 152)

Construction

- Bodies and covers are fabricated from 14 gauge 304 stainless steel
- Flange ends are fabricated from 10 gauge 304 stainless steel
- Features hinged top for easy wiring
- Continuously welded seams ground smooth, no holes or knockouts
- Smooth rounded edges on all sections and fittings prevent damage to insulation
- Closed cell oil resistant neoprene gasket
- Heavy butt hinges and external stainless steel screw clamps to insure a complete seal between covers and bodies
- Screw clamps are quick and easy to operate, with no loose parts
- Solid oil-resistant gasket is furnished to provide complete seal at each joint
- All necessary gaskets, nuts and bolts furnished for efficient assembly

Finish

- Exterior body and cover has smooth grained finish

SSJW SERIES STAINLESS FEED-THROUGH WIREWAY & FITTINGS

CATALOG NUMBER		DESCRIPTION
4.00 X 4.00 (102 X 102)	6.00 X 6.00 (152 X 152)	
SSJW41	SSJW61	12.00" (205) Straight section
SSJW42	SSJW62	24.00" (610) Straight section
SSJW43	SSJW63	36.00" (914) Straight section
SSJW44	SSJW64	48.00" (1219) Straight section
SSJW45	SSJW65	60.00" (1524) Straight section
SSJW410	SSJW610	120.00" (3048) Straight section
SSJWS4	SSJWS6	Telescope (not UL listed)
SSJWL904	SSJWL906	90° Elbow (1 set of gaskets and screws included)
SSJWL454	SSJWL456	45° Elbow (1 set of gaskets and screws included)
SSJWT4	SSJWT6	Tee-top (2 sets of gaskets and screws included)
SSJWE4	SSJWE6	End plate (1 set of gaskets and screws included)
SSJWA4	SSJWA6	Box adaptor (1 set of gaskets and screws included)
—	SSJWRB64E	Reducer bushing 6.00" (152) to 4.00" (102) edge*
—	SSJWRB64C	Reducer bushing 6.00" (152) to 4.00" (10) center*
SSJWN446	SSJWN666	6.00" straight nipple fitting
SSJWFF4	SSJWFF6	Flexible fitting**
SSJWBH4	SSJWBH6	Bracket hanger

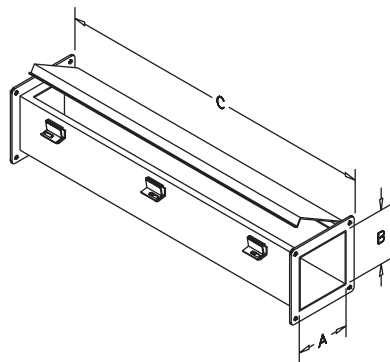
* All reducer bushings included gaskets and screws.

** Minimum length 3", maximum length 8".

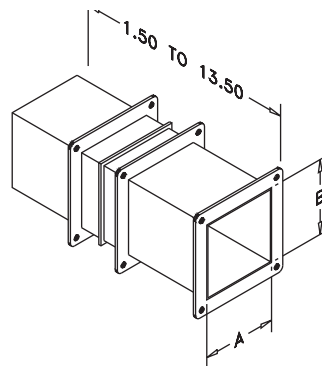


SSJW SERIES WIREWAY & FITTINGS DIMENSIONS													
A X B	C - LENGTH						D	E	F	G	H	J	K
4.00x4.00 (102x102)	12.00 (305)	24.00 (610)	36.00 (914)	48.00 (1219)	60.00 (1524)	120.00 (3048)	5.38 (137)	5.38 (137)	7.00 (178)	10.00 (254)	3.25 (83)	2.44 (62)	5.00 (127)
6.00x6.00 (152x152)	12.00 (305)	24.00 (610)	36.00 (914)	48.00 (1219)	60.00 (1524)	120.00 (3048)	7.63 (194)	7.63 (194)	9.00 (229)	12.00 (305)	4.25 (108)	3.00 (76)	6.00 (152)

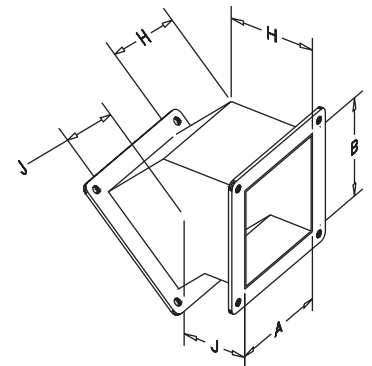
Note: Fittings pending 4X.



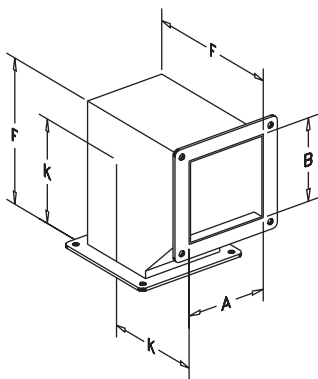
Straight Section



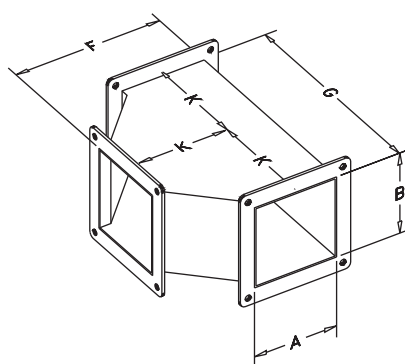
Telescope Fitting



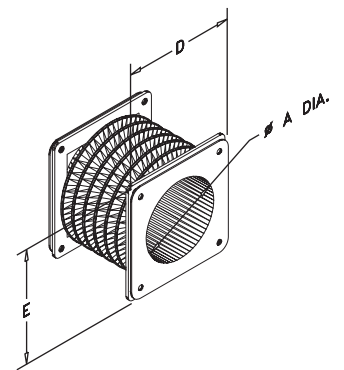
45° Elbow



90° Elbow



Tee



Flexible Fitting



RSCG060624

Industry Standards
UL 870
NEMA/EEMAC Types, 1 & 3R

 UL Files E32576

 CSA File LL66078

FEATURES-SPECIFICATIONS

Applications

Designed to protect wiring in outdoor installations against rain, sleet and snow, or indoors against dripping water.

Construction

- Through and cover fabricated from 16 gauge carbon steel or G-90 pre-galvanized steel 16 gauge
- Drip shield top and smooth seamless sides, front and back, prevent

rain, snow and sleet from entering the enclosure

- Embossed mounting holes are conveniently located on the back
- A slip-on removable cover is securely fastened with screws located along the bottom edge
- Knockouts are provided on bottom of enclosure

Finish

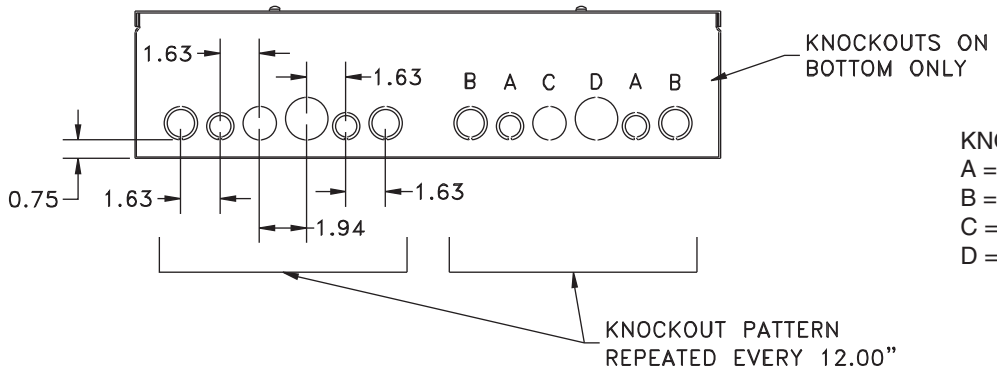
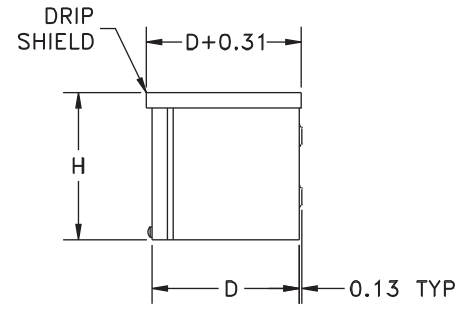
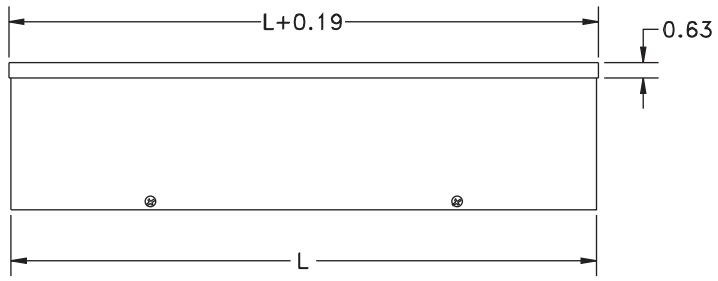
- ANSI-61 gray polyester powder inside and out over phosphatized surfaces or unpainted pre-galvanized steel

Accessories

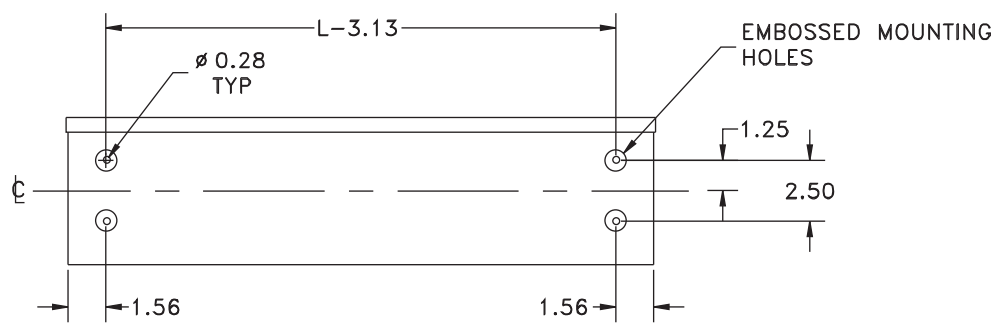
- See pages J1-J22

RSCG WALLMOUNT WIRING THROUGH				
CATALOG NUMBER		BODY/DOOR STEEL GAUGE	ENCLOSURE SIZE H X D X L	KNOCKOUT PATTERN
PAINTED	GALVANIZED			
RSCG040412	RSCG040412G	16/16	4.06x4.06x12.13 (103x103x308)	B-A-C-D-A-B repeated
RSCG040424	RSCG040424G	16/16	4.06x4.06x24.13 (103x103x613)	B-A-C-D-A-B repeated
RSCG040436	RSCG040436G	16/16	4.06x4.06x36.13 (103x103x918)	B-A-C-D-A-B repeated
RSCG040448	RSCG040448G	16/16	4.06x4.06x48.13 (103x103x1222)	B-A-C-D-A-B repeated
RSCG040460	RSCG040460G	16/16	4.06x4.06x60.13 (103x103x1527)	B-A-C-D-A-B repeated
RSCG060612	RSCG060612G	16/16	6.06x6.06x12.13 (154x154x308)	B-A-C-D-A-B repeated
RSCG060624	RSCG060624G	16/16	6.06x6.06x24.13 (154x154x613)	B-A-C-D-A-B repeated
RSCG060636	RSCG060636G	16/16	6.06x6.06x36.13 (154x154x918)	B-A-C-D-A-B repeated
RSCG060648	RSCG060648G	16/16	6.06x6.06x48.13 (154x154x1222)	B-A-C-D-A-B repeated
RSCG060660	RSCG060660G	16/16	6.06x6.06x60.13 (154x154x1527)	B-A-C-D-A-B repeated
RSCG060672	RSCG060672G	16/16	6.06x6.06x72.13 (154x154x1832)	B-A-C-D-A-B repeated
RSCG080824	RSCG080824G	16/16	8.06x8.06x24.13 (205x205x613)	B-A-C-D-A-B repeated
RSCG080836	RSCG080836G	16/16	8.06x8.06x36.13 (205x205x918)	B-A-C-D-A-B repeated
RSCG080848	RSCG080848G	16/16	8.06x8.06x48.13 (205x205x1222)	B-A-C-D-A-B repeated
RSCG080860	RSCG080860G	16/16	8.06x8.06x60.13 (205x205x1527)	B-A-C-D-A-B repeated
RSCG080872	RSCG080872G	16/16	8.06x8.06x72.13 (205x205x1832)	B-A-C-D-A-B repeated

NOTE: Must specify CSA Label when ordering.



- KNOCKOUT SIZES**
 A = 1/2" TO 3/4" CONCENTRIC KO
 B = 3/4" TO 1" CONCENTRIC KO
 C = 1" SOLID KO
 D = 1-1/4" SOLID KO



REAR VIEW



T6624CH

Industry Standards

UL 870

NEMA Types 12 & 13

JIC EL-1-71



UL Files E32576



CSA File LL66078

FEATURES-SPECIFICATIONS
Applications

Designed to protect wiring from dirt, dust, oil and water.

Construction

- Trough and cover fabricated from 14 gauge steel

- Continuously welded seams ground smooth, less knockouts or holes
- Oil resistant gasket and adhesive are provided
- Trough comes complete with easy to operate external clamps and a continuous hinge
- External mounting feet are provided

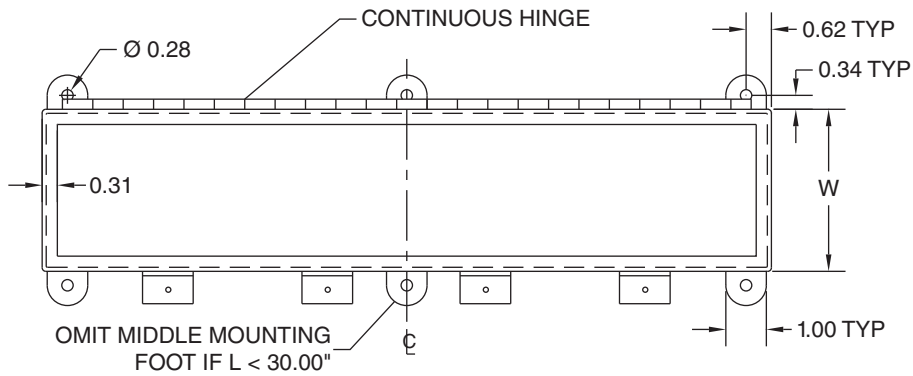
Finish

- ANSI-61 gray polyester powder inside and out over phosphatized surfaces

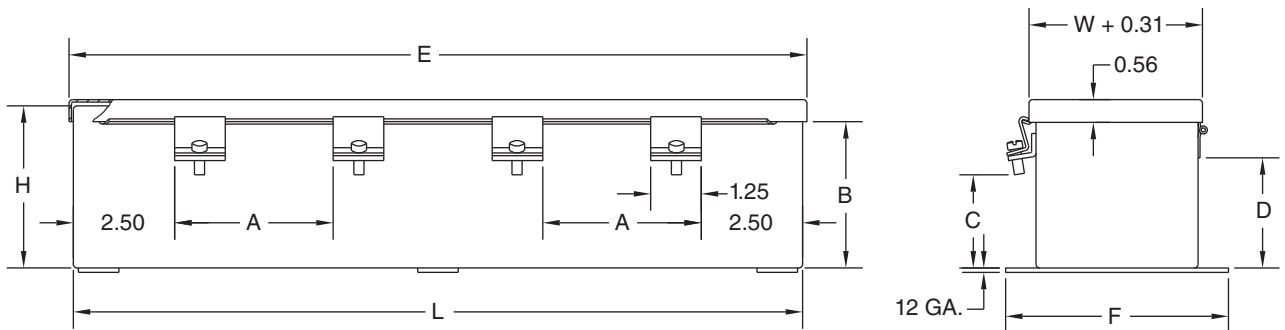
Accessories

- See pages J1-J22

T-CH SERIES JIC HINGED COVER WIRING TROUGH								
CATALOG NUMBER	BODY/DOOR STEEL GAUGE	ENCLOSURE SIZE H X W X L	A	B	C	D	E	F
T2212CH	14/14	2.50x2.50x12.00 (64x64x305)	5.75 (146)	2.09 (53)	.63 (16)	1.28 (33)	12.31 (313)	4.00 (102)
T2218CH	14/14	2.50x2.50x18.00 (64x64x457)	11.75 (298)	2.09 (53)	.63 (16)	1.34(34)	18.31 (465)	4.00 (102)
T2224CH	14/14	2.50x2.50x24.00 (64x64x610)	8.88 (225)	2.09 (53)	.63 (16)	1.34(34)	24.31 (698)	4.00 (102)
T2236CH	14/14	2.50x2.50x36.00 (64x64x914)	14.88 (378)	2.09 (53)	.63 (16)	1.34(34)	36.31 (922)	4.00 (102)
T2248CH	14/14	2.50x2.50x48.00 (64x64x1219)	20.88 (298)	2.09 (53)	.63 (16)	1.34(34)	48.31 (1227)	4.00 (102)
T2260CH	14/14	2.50x2.50x60.00 (64x64x1524)	17.92 (455)	2.09 (53)	.63 (16)	1.34(34)	60.31 (1532)	4.00 (102)
T2272CH	14/14	2.50x2.50x72.00 (64x64x1829)	21.92 (557)	2.09 (53)	.63 (16)	1.34(34)	72.31 (1837)	4.00 (102)
T4412CH	14/14	4.00x4.00x12.00 (102x102x305)	5.75 (146)	3.59 (91)	2.13 (54)	2.78 (71)	12.31 (313)	5.50 (140)
T4418CH	14/14	4.00x4.00x18.00 (102x102x457)	11.75 (298)	3.59 (91)	2.13 (54)	2.84 (72)	18.31 (465)	5.50 (140)
T4424CH	14/14	4.00x4.00x24.00 (102x102x610)	8.88 (225)	3.59 (91)	2.13 (54)	2.84 (72)	24.31 (618)	5.50 (140)
T4430CH	14/14	4.00x4.00x30.00 (102x102x762)	11.88 (302)	3.59 (91)	2.13 (54)	2.84 (72)	30.31 (770)	5.50 (140)
T4436CH	14/14	4.00x4.00x36.00 (102x102x914)	14.88 (378)	3.59 (91)	2.13 (54)	2.84 (72)	36.31 (922)	5.50 (140)
T4448CH	14/14	4.00x4.00x48.00 (102x102x1219)	20.88 (530)	3.59 (91)	2.13 (54)	2.84 (72)	48.31 (1227)	5.50 (140)
T4460CH	14/14	4.00x4.00x60.00 (102x102x1524)	17.92 (455)	3.59 (91)	2.13 (54)	2.84 (72)	60.31 (1532)	5.50 (140)
T4472CH	14/14	4.00x4.00x72.00 (102x102x1829)	21.95 (557)	3.59 (91)	2.13 (54)	2.84 (72)	72.31 (1837)	5.50 (140)
T6612CH	14/14	6.00x6.00x12.00 (152x152x305)	5.75 (146)	5.59 (142)	4.13 (105)	4.78 (121)	12.31 (313)	7.50 (191)
T6618CH	14/14	6.00x6.00x18.00 (152x152x457)	11.75 (298)	5.59 (142)	4.13 (105)	4.84 (123)	18.31 (465)	7.50 (191)
T6624CH	14/14	6.00x6.00x24.00 (152x152x610)	8.88 (225)	5.59 (142)	4.13 (105)	4.84 (123)	24.31 (618)	7.50 (191)
T6630CH	14/14	6.00x6.00x30.00 (152x152x762)	11.88 (302)	5.59 (142)	4.13 (105)	4.84 (123)	30.31 (770)	7.50 (191)
T6636CH	14/14	6.00x6.00x36.00 (152x152x914)	14.88 (378)	5.59 (142)	4.13 (105)	4.84 (123)	36.31 (922)	7.50 (191)
T6648CH	14/14	6.00x6.00x48.00 (152x152x1219)	20.88 (530)	5.59 (142)	4.13 (105)	4.84 (123)	48.31 (1227)	7.50 (191)
T6660CH	14/14	6.00x6.00x60.00 (152x152x1524)	17.92 (455)	5.59 (142)	4.13 (105)	4.84 (123)	60.31 (1532)	7.50 (191)
T6672CH	14/14	6.00x6.00x72.00 (152x152x1829)	21.92 (557)	5.59 (142)	4.13 (105)	4.84 (123)	72.31 (1837)	7.50 (191)
T8812CH	14/14	8.00x8.00x12.00 (203x203x305)	5.75 (146)	7.59 (193)	6.13 (156)	6.78 (172)	12.31 (313)	9.50 (241)
T8824CH	14/14	8.00x8.00x24.00 (203x203x610)	8.88 (225)	7.59 (193)	6.13 (156)	6.84 (174)	24.31 (618)	9.50 (241)
T8836CH	14/14	8.00x8.00x36.00 (203x203x914)	14.88 (378)	7.59 (193)	6.13 (156)	6.84 (174)	36.31 (922)	9.50 (241)
T8848CH	14/14	8.00x8.00x48.00 (203x203x1219)	20.88 (530)	7.59 (193)	6.13 (156)	6.84 (174)	48.31 (1227)	9.50 (241)
T8860CH	14/14	8.00x8.00x60.00 (203x203x1524)	17.92 (455)	7.59 (193)	6.13 (156)	6.84 (174)	60.31 (1532)	9.50 (241)
T121224CH	14/14	12.00x12.00x24.00 (305x305x610)	8.88 (225)	11.59 (294)	10.13 (257)	10.84 (275)	24.31 (618)	13.50 (343)
T121236CH	14/14	12.00x12.00x36.00 (305x305x914)	14.88 (378)	11.59 (294)	10.13 (257)	10.84 (275)	36.31 (922)	13.50 (343)
T121248CH	14/14	12.00x12.00x48.00 (305x305x1219)	20.88 (530)	11.59 (294)	10.13 (257)	10.84 (275)	48.31 (1227)	13.50 (343)
T121260CH	14/14	12.00x12.00x60.00 (305x305x1524)	17.92 (455)	11.59 (294)	10.13 (257)	10.84 (275)	60.31 (1532)	13.50 (343)



TOP VIEW WITH COVER REMOVED



Notes:

1. 2 clamps are used when L = 12.00" and 18.00".
2. 3 clamps are used when L = 24.00" through 48.00".
3. 4 clamps are used when L = 60.00" and 72.00".



NOTES

Section H Index

W1C Series		WPBA Series	
NEMA 12 Consoles.....	H2	NEMA 12 Sloping Pushbutton.....	H16
WC9 Series		PB Series	
NEMA 12 Consoles.....	H4	NEMA 4 & 12 30.5mm Pushbutton.....	H18
WC10 Series		PBGX Series	
NEMA 12 Consoles.....	H6	NEMA 12 22.5mm Pushbutton	H20
WC12 Series		PBXD Series	
NEMA 12 Consoles.....	H8	NEMA 4 & 12 30.5mm Pushbutton.....	H22
WC14 Series		PSL Series	
NEMA 12 Consoles.....	H10	NEMA 12 30.5mm Pushbutton	H24
WC-C Series		PBYX Series	
NEMA 12 Consolets.....	H12	NEMA 12 30.5mm Pushbutton	H26
CCOL & Base Series			
NEMA 12 Pedestals.....	H14		

OPERATOR INTERFACE



W1C SERIES CONSOLES NEMA 12 OPERATOR INTERFACE



W1C30

Industry Standards

UL 508, Types 12 & 13
CSA Certified, Type 12 & 13
NEMA/EEMAC Types 12 & 13

 UL Files E64791

 CSA File LL66078

FEATURES-SPECIFICATIONS

Applications

Designed to house electrical and electronic controls and instruments. Pushbuttons, pilot lights, meters, switches etc., can be mounted on sloping control surfaces. Interior components can be mounted on standard back panel. Heavy duty construction provides protection from dirt, dust, oil and water.

Construction

- Bodies and doors fabricated from 14 gauge steel
- Seams are continuously welded and ground smooth without knock-outs, holes, or cutouts

- 3-point keylocking handle is provided on front, main door
- Main door on console is raised
- Control panels are hinged along bottom edge
- Controls panels, access panels and instrument panels have captivated screws which thread into sealed wells
- Door stops provided to hold control panel open
- Print pocket is provided
- Grounding provisions provided
- Closed cell neoprene gasket
- Removable back panel included with enclosure

Writing Desk

- Fabricated from 14 gauge steel
- Seams are continuously welded and ground smooth
- Desks are removable and attach easily to console front
- Desks must be ordered separately

Finish

- ANSI 61 gray polyester powder inside and out over phosphatized surfaces
- Included back panel is white polyester powder over phosphatized surfaces

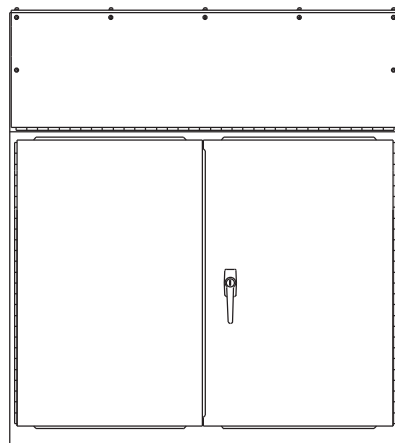
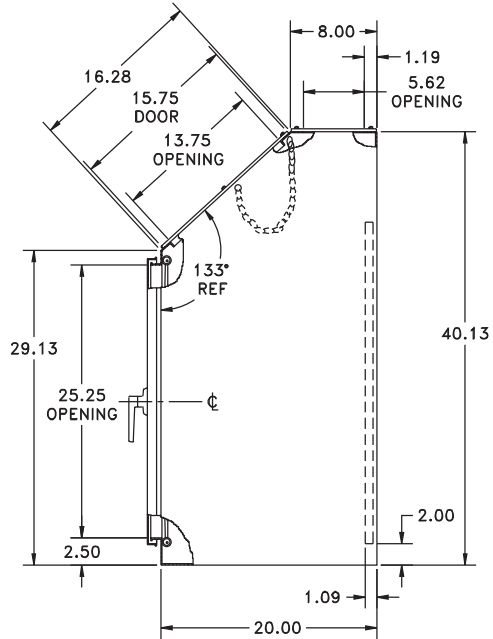
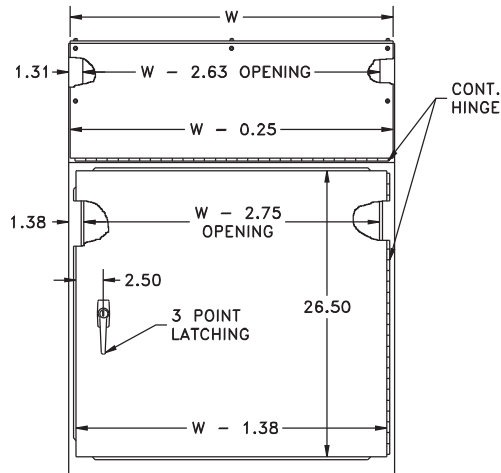
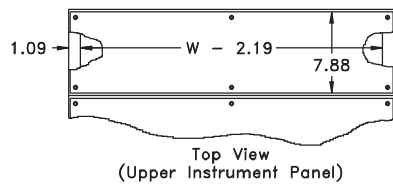
Accessories

- See pages J1-J22

W1C SERIES OPERATOR INTERFACE CONSOLES		
CATALOG NUMBER	ENCLOSURE SIZE H X W X D	BACK PANEL SIZE H X W*
W1C24	40.00x24.00x20.00 (1016x610x508)	30.00x21.00 (762x533)
W1C30	40.00x30.00x20.00 (1016x762x508)	30.00x27.00 (762x686)
W1C36	40.00x36.00x20.00 (1016x914x508)	30.00x33.00 (762x838)
W1C42**	40.00x42.00x20.00 (1016x1067x508)	30.00x39.00 (762x991)
W1C48**	40.00x48.00x20.00 (1016x1219x508)	30.00x45.00 (762x1143)

* Back panel included with enclosure.

** Two Door Units



View Showing
Two Door Console

Notes:

1. One 8X10 Print Pocket is provided.
2. 3-point key-locking handles are provided on main doors.
3. Rear panel included.



WC924B

Industry Standards

UL 508, Types 12 & 13
CSA Certified, Type 12 & 13
NEMA/EEMAC Types 12 & 13

 UL Files E64791

 CSA File LL66078

FEATURES-SPECIFICATIONS

Applications

Designed to house electrical and electronic controls, instruments and components. Heavy duty construction provides protection from dirt, dust, oil and water. Sloping front control panel provides an ideal surface for mounting pushbuttons, pilot lights, meters and switches. Interior components can be mounted on panels located on the sides and back of the enclosure. (Panels are optional)

Construction

- Bodies and doors fabricated from 14 gauge steel

- Continuously welded seams ground smooth, less knockouts or holes
- 3-point keylocking handle is provided on front access door
- Control panel attached with continuous hinge along bottom edge and secured with captive screws, threaded into sealed wells
- Door stops are provided to hold control panel open
- Collar studs provided for mounting one, two or three optional panels
- Closed cell neoprene gasket
- Print pocket is provided
- Grounding provisions provided

Finish

- ANSI 61 gray polyester powder inside and out over phosphatized surfaces
- Optional side and back panels are white polyester powder over phosphatized surfaces

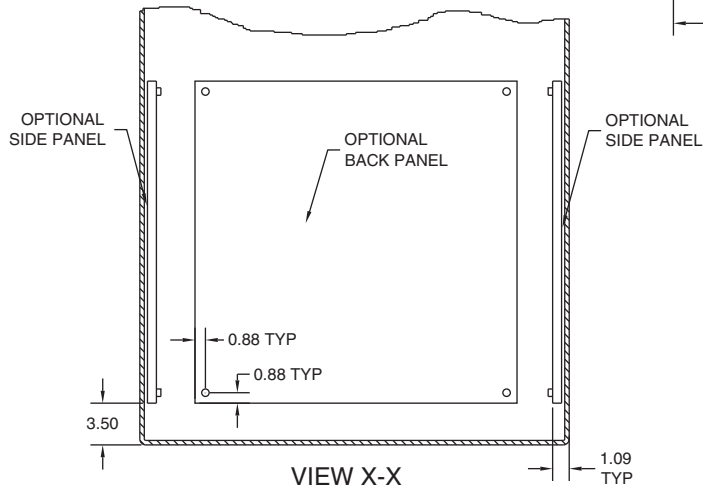
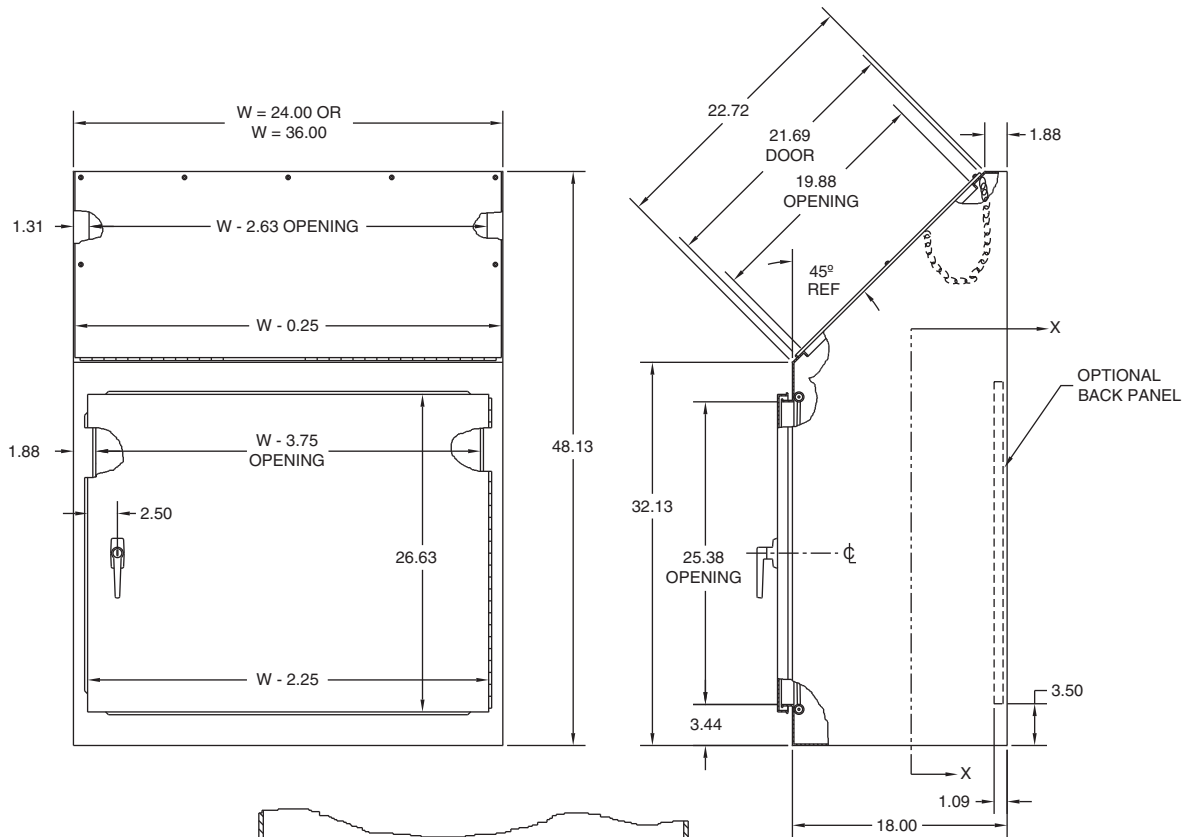
Accessories

- Side panels, back panels and caster kits (reference tables)
- See pages J1-J22

WC9 SERIES OPERATOR INTERFACE CONSOLES							
CATALOG NUMBER	BODY/DOOR STEEL GAUGE	DESCRIPTION/SIZE	BACK PANEL CATALOG NUMBER*	BACK PANEL SIZE H X W	SIDE PANEL CATALOG NUMBER	SIDE PANEL H X W	CASTER KIT CATALOG NUMBER
WC924B**	14/14	Console body only 24" wide	NP3020	27.00x17.00 (686x432)	NP3020	27.00x17.00 (686x432)	WC10C
WC936B	14/14	Console body only 36" wide	NP3030	27.00x27.00 (686x686)	NP3020	27.00x17.00 (686x432)	WC10C

*Panels and Caster Kits must be ordered separately.

**UL Listed.



Notes:

1. One 8X10 Print Pocket is provided.
2. 3-point key-locking handles are provided on main doors.
3. Rear panel is optional.


WC10B
Industry Standards

UL 508, Types 12 & 13
CSA Certified, Type 12 & 13
NEMA/EEMAC Types 12 & 13

 UL Files E64791

 CSA File LL66078

FEATURES-SPECIFICATIONS
Applications

Designed to hold electrical and electronic controls and instruments. Push-buttons, pilot lights, meters, switches etc., can be mounted on sloping control surfaces. Interior components can be mounted on back panel and terminal straps. Heavy-duty construction provides protection from dirt, dust, oil and water.

Construction—Body

- Fabricated from 14 gauge steel
- Seams are continuously welded and ground smooth
- 3-point keylocking handle is provided on front, main door
- Flush main door
- Control panels are hinged along bottom edge

- Controls panels have captivated screws which thread into sealed wells
- Door stops provided to hold control panel open
- Print pocket is provided
- Standard closed cell neoprene gasket is provided
- Removable back panel is included with enclosure
- Ground provisions provided

Construction—Top

- Fabricated from 14 gauge steel
- Seams are continuously welded and ground smooth
- Instrument and access panels have captivated screws which thread into sealed wells
- Closed cell neoprene gasket

Construction—Writing Desk

- Fabricated from 14 gauge steel
- Seams are continuously welded and ground smooth
- Desks are removable and attach easily to console front

Finish

- ANSI 61 gray polyester powder inside and out over phosphatized surfaces
- Included back panel is white polyester powder over phosphatized surfaces

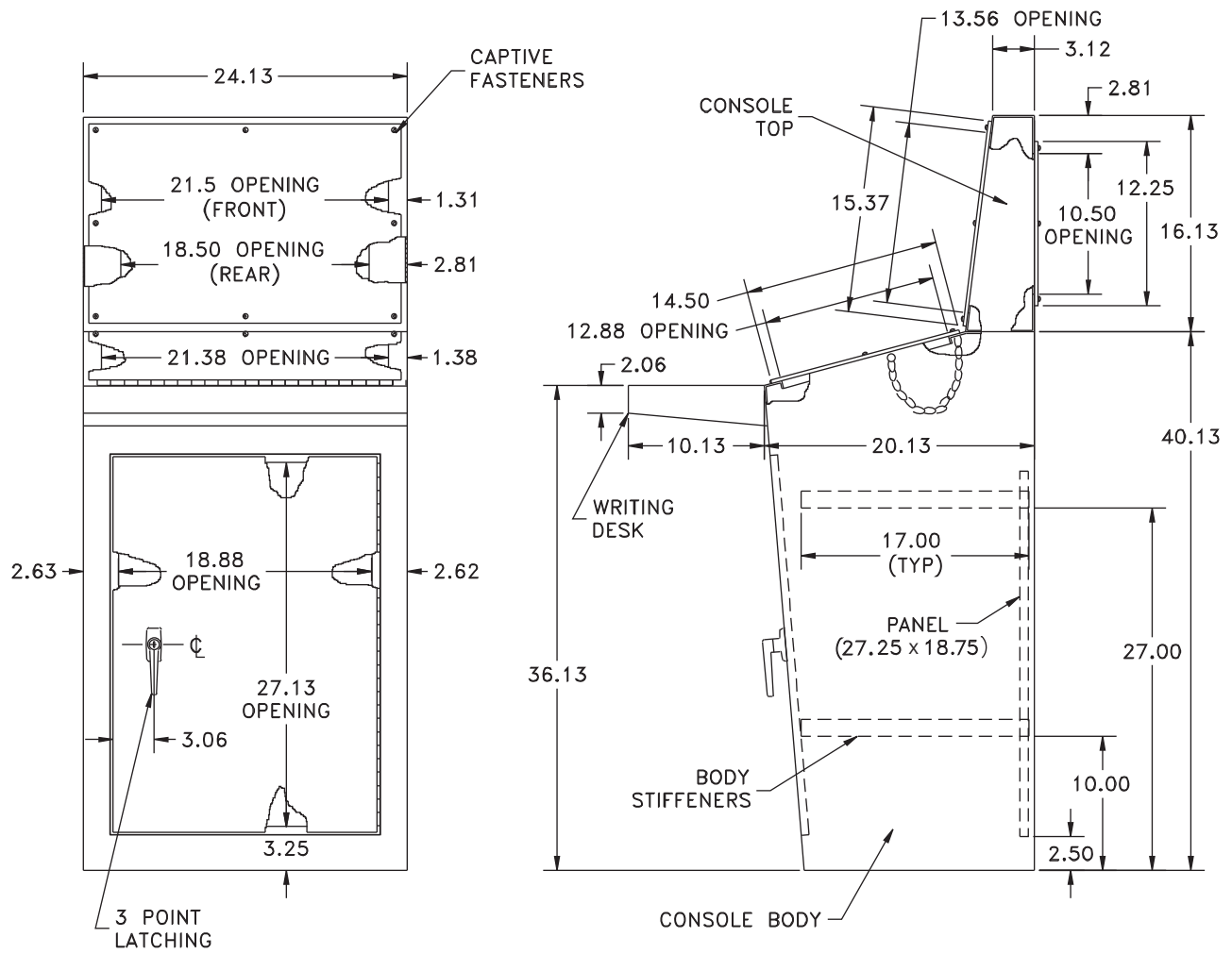
Accessories

- See pages J1-J22

WC10 SERIES OPERATOR INTERFACE CONSOLES	
CATALOG NUMBER	DESCRIPTION / SIZE
WC10B*	Console body only / 24.00" wide
WC10T	Top for WC10B
WC10W	Writing desk for WC10B
WC10C	Caster kit

*U.L. Listed. Back panels are included with console.

NOTE: Tops, writing desks, and caster kits must be ordered separately.



Notes:

1. Access doors open 180 degrees.
2. One 8X10 Print Pocket is provided.
3. 3-point key-locking handles are provided on main doors.
4. Writing desk is provided with mounting hardware.
5. 27.25 X 18.75 rear panel included.



WC1248BD

Industry Standards

UL 508, Types 12 & 13
CSA Certified, Type 12 & 13
NEMA/EEMAC Types 12 & 13

 UL Files E64791

 CSA File LL66078

FEATURES-SPECIFICATIONS

Applications

Designed to hold electrical and electronic controls and instruments. Pushbuttons, pilot lights, meters, switches etc., can be mounted on sloping control surfaces. Interior components can be mounted on standard back panel and terminal straps. Heavy duty construction provides protection from dirt, dust, oil and water.

Construction—Body

- Bodies and doors fabricated from 14 gauge steel
- Seams are continuously welded and ground smooth
- 3-point keylocking handle is provided on front, main door
- Double overlapping doors are provided on two door consoles
- Main hinged doors are flush
- Large sloping control panels are hinged along the bottom edge
- Control panels have captivated screws which thread into sealed wells

- Grounding provisions provided
- Door stops provided to hold control panel open
- Print pocket is provided
- Closed cell neoprene gasket is provided
- Removable back panel included with console
- Studs are welded to inside of console for mounting back panel
- An inclined body rail is welded to each side of 24.00" wide and 36.00" wide consoles for support of terminal straps

Construction—Top

- Fabricated from 14 gauge steel
- Tops has a sloped front surface
- Seams are continuously welded and ground smooth
- Instrument and access panels have captivated screws which thread into sealed well

- 4 holes are provided in bottom of top for mounting to body
- Closed cell neoprene gasket
- Instrument panels and access panels are removable

Construction—Writing Desk

- Fabricated from 14 gauge steel
- Seams are continuously welded and ground smooth
- Desks are removable and attach easily to console front

Finish

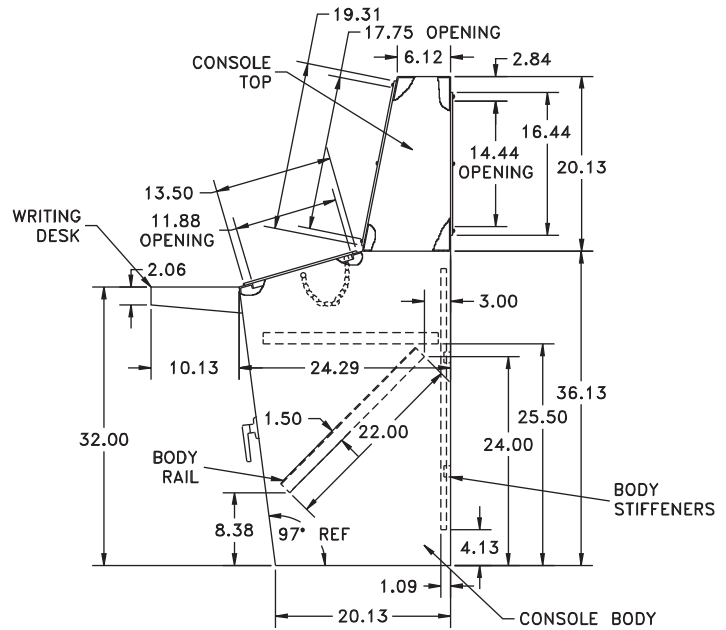
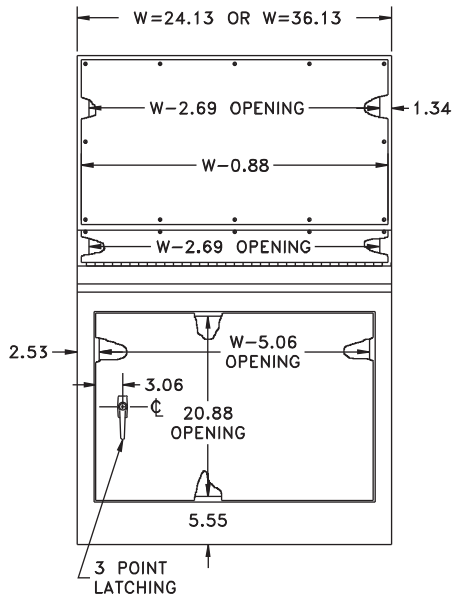
- ANSI 61 gray polyester powder inside and out over phosphatized surfaces
- Included back panel is white polyester powder over phosphatized surfaces

Accessories

- See pages J1-J22

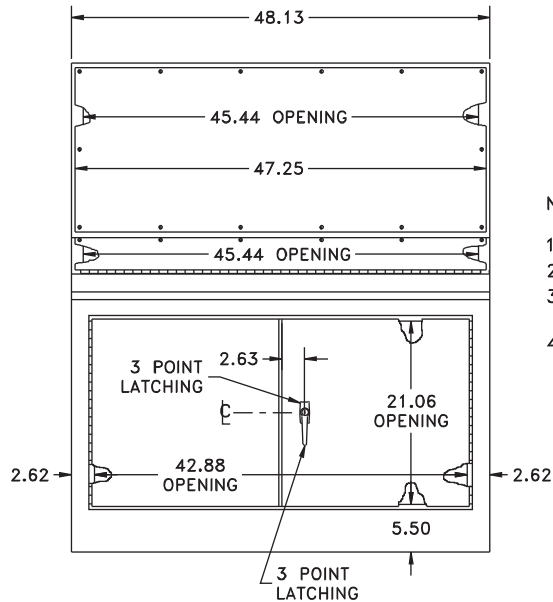
WC12 SERIES OPERATOR INTERFACE CONSOLES					
CATALOG NUMBER CONSOLE ONLY	CONSOLE WIDTH	CATALOG NUMBER			BACK PANEL SIZE H X W
		CONSOLE TOP	WRITING DESK	CASKET KIT	
WC1224B	24" (610)	WC1224T	WC1224W	WC12C	32"x18" (813x457)
WC12B	36" (914)	WC12T	WC12W	WC12C	32"x30" (813x762)
WC1248BD	48" (1219)	WC1248T	WC1248W	WC12C	32"x42" (813x1067)

WC1224B & WC12B



**RIGHT VIEW
(APPLICABLE TO ALL)**

WC1248BD



Notes:

1. Access doors open 180 degrees.
2. One 8X10 Print Pocket is provided.
3. 3-point key-locking handles are provided on main doors.
4. Writing desk is provided with mounting hardware.



WC14B

Industry Standards

UL 508, Types 12 & 13

CSA Certified, Type 12 & 13

NEMA/EEMAC Types 12 & 13

UL Files E64791

CSA File LL66078

FEATURES-SPECIFICATIONS

Applications

Designed to hold electrical and electronic controls and instruments. Pushbuttons, pilot lights, meters, switches etc., can be mounted on the instrument panel. Interior components are motorized on stationary sub panels, swing-out sub panels or relay rack angles (panels are optional). Heavy duty construction provides protection from dirt, dust, oil and water. Numerous accessories and variable combinations make these consoles most versatile.

Construction—Body

- Bodies and doors fabricated from 14 gauge steel
- Seams are continuously welded and ground smooth, less knockouts or holes
- 3-point keylocking handle is provided on front, main door
- Double overlapping doors are provided on two door consoles
- Main hinged doors are flush

- Grounding provisions provided
- One or two large sloping control panels are hinged on bottom
- Control panels have captivated screws which thread into sealed wells
- Door stops provided to hold control panel open
- Two print pockets are included
- Closed cell neoprene gasket is provided
- Horizontal channels are welded to sides of console to support optional panels, swing-out panels and rack mounting angles
- Half, full, and swing panels are optional

Construction—Top

- Fabricated from 14 gauge steel
- Top unit is 12.50" deep to accommodate most instruments
- Seams are continuously welded and ground smooth, less knockouts or holes

- Instrument and access panels have captivated screws which thread into sealed wells
- 4 holes are provided in bottom of top for mounting to body
- Instrument and access panels are removable
- Closed cell neoprene gasket

Construction—Writing Desk

- Fabricated from 14 gauge steel
- Seams are continuously welded and ground smooth
- Desks are removable and attach easily to console front

Finish

- ANSI 61 gray polyester powder inside and out over phosphatized surfaces
- Optional panels are white polyester powder over phosphatized surfaces

Accessories

- See pages J1-J22

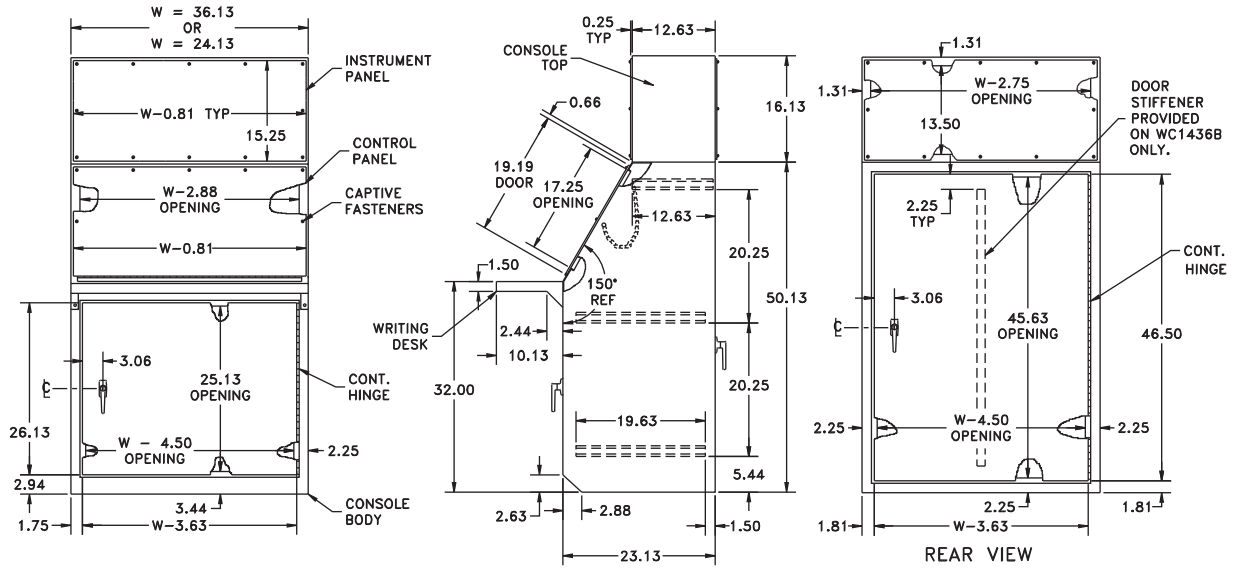
WC14 SERIES OPERATOR INTERFACE CONSOLES								
CATALOG NUMBER CONSOLE ONLY	CONSOLE WIDTH	CATALOG NUMBER			PANEL SIZES H X W	CATALOG NUMBER		
		CONSOLE TOP	WRITING DESK	VARIOUS PANEL*		CASTER KIT	CLAMPING NUTS	RACK ANGLES
WC14B (Single door)	24.00" (610)	WC14T	WC14W	WC14P1 (Swing panel)	22.00x18.13 (559x461)	WC12C	WAPS1420CN	WC14R
—	—	—	—	WC14P2 (Half panel)	22.00x17.00 (559x432)	—	—	—
—	—	—	—	WC14P3 (Full panel)	42.25x17.00 (1073x432)	—	WAPS3816CN	—
WC1436B (Single door)	36.00" (914)	WC1436T	WC1436W	WC1436P1 (Swing panel)	22.00x30.13 (559x765)	WC12C	WAPS1420CN	—
—	—	—	—	WC1436P2 (Half panel)	22.00x29.00 (559x737)	—	—	—
—	—	—	—	WC1436P3 (Full panel)	42.25x29.00 (1073x737)	—	WAPS3816CN	—
WC1448BD (Double door)	48.00" (1219)	WC1448T	WC1448W	WC1448P2 (Half panel)	22.00x41.00 (559x1041)	WC12C	WAPS1420CN	—
—	—	—	—	WC1448P3 (Full panel)	42.25x41.00 (1073x1041)	—	WAPS3816CN	—
WC1460BD (Double door)	60.00" (1524)	WC1460T	WC1460W	WC1460P2 (Half panel)	22.00x53.00 (559x1346)	WC12C	WAPS1420CN	—
—	—	—	—	WC1460P3 (Full panel)	42.25x53.00 (1073x1346)	—	WAPS3816CN	—

*Full, Half, and Swing panels must be ordered separately.

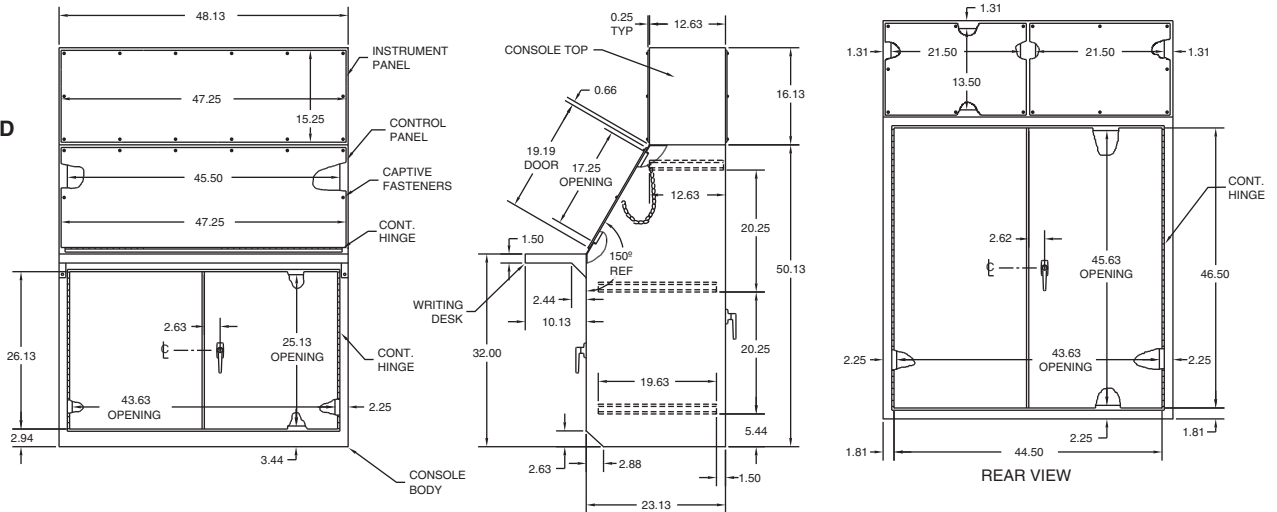
**WC14 SERIES CONSOLES
NEMA 12 OPERATOR INTERFACE**

H11

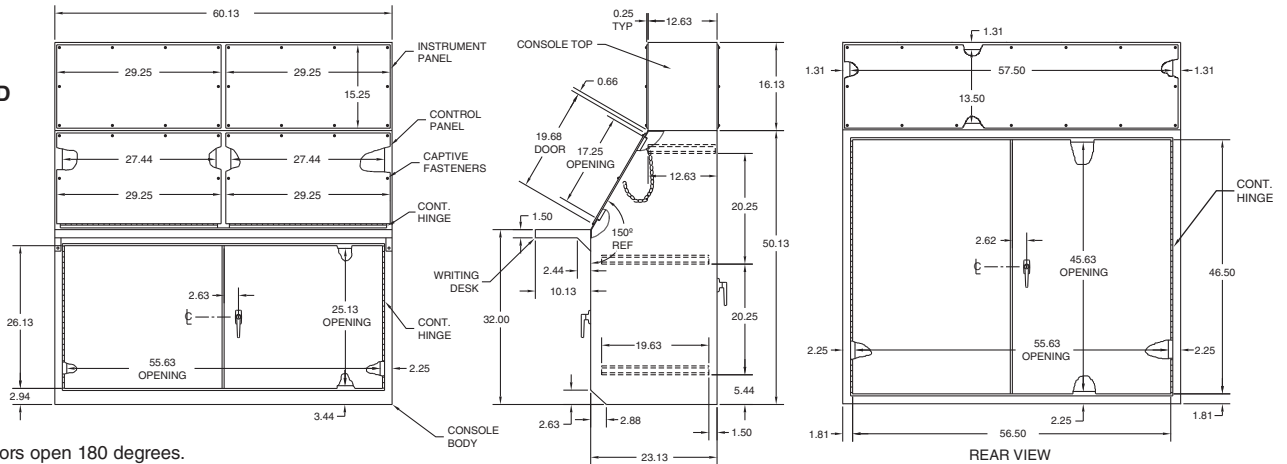
**WC14B and
WC1436B**



WC1448BD



WC1460BD



Notes:

1. Access doors open 180 degrees.
2. Two 8X10 Print Pockets are provided.
3. 3-point key-locking handles are provided on access doors.
4. Writing desk is provided with mounting hardware.



WC12C12

Industry Standards

UL 508, Types 12 & 13
CSA Certified, Types 12 & 13
NEMA/EEMAC Type 12 & 13
JIC EL-1-71

 UL Files E64791

 CSA File LL66078

FEATURES-SPECIFICATIONS

Applications

Designed to house a variety of electronic control or instrumentation devices. Consoles provide protection from dust, dirt, oil, and water. Flexible design allows for mounting on either or two sides, creating control surfaces of 30 degrees or 60 degrees. Consoles can be mounted on desks, pedestals, or other flat surfaces.

Construction

- Bodies and doors fabricated from 14 gauge steel
- Continuously welded seams ground smooth, less knockouts or holes
- Captivated cover screws thread into sealed wells
- Control panel is continuously hinged along bottom edge

- Closed cell oil resistant neoprene gasket
- Grounding provisions provided

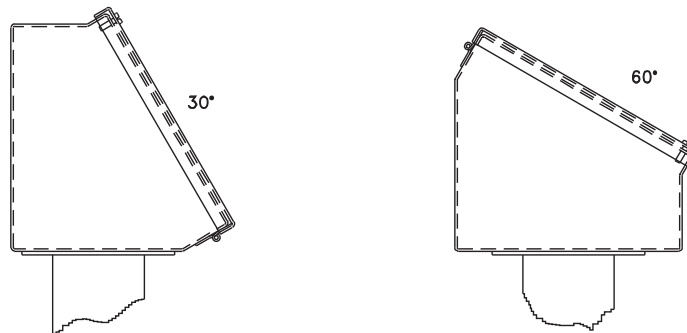
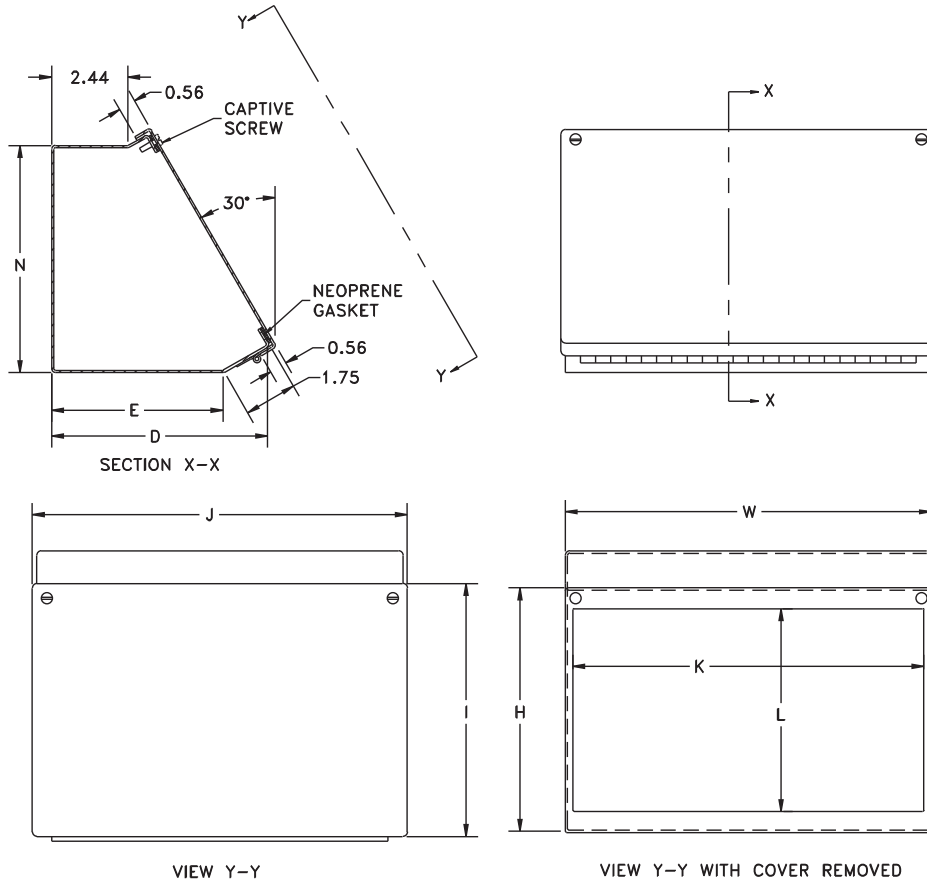
Finish

- ANSI-61 gray polyester powder inside and out over phosphatized surfaces

Accessories

See pages J1-J22

WC-C SERIES OPERATOR INTERFACE CONSOLES								
CATALOG NUMBER	BODY/DOOR STEEL GAUGE	ENCLOSURE SIZE H X W X D	E	N	L	K	I	J
WC08C08	14/14	8.00x8.00x7.09 (203x203x180)	5.69 (144)	7.44 (189)	6.56 (167)	7.44 (189)	8.31 (211)	8.31 (211)
WC08C12	14/14	8.00x12.00x7.09 (203x305x180)	5.69 (144)	7.44 (189)	6.56 (167)	11.44 (291)	8.31 (211)	12.31 (313)
WC08C16	14/14	8.00x16.00x7.09 (203x406x180)	5.69 (144)	7.44 (189)	6.56 (167)	15.44 (392)	8.31 (211)	16.31 (414)
WC08C20	14/14	8.00x20.00x7.09 (203x508x180)	5.69 (144)	7.44 (189)	6.56 (167)	19.44 (494)	8.31 (211)	20.31 (516)
WC12C12	14/14	12.00x12.00x9.09 (305x305x231)	7.69 (195)	10.91 (277)	10.56 (268)	11.44 (291)	12.31 (313)	12.31 (313)
WC12C16	14/14	12.00x16.00x9.09 (305x406x231)	7.69 (195)	10.91 (277)	10.56 (268)	15.44 (392)	12.31 (313)	16.31 (414)
WC12C20	14/14	12.00x20.00x9.09 (305x508x231)	7.69 (195)	10.91 (277)	10.56 (268)	19.44 (494)	12.31 (313)	20.31 (516)
WC12C24	14/14	12.00x24.00x9.09 (305x610x231)	7.69 (195)	10.91 (277)	10.56 (268)	23.44 (595)	12.31 (313)	24.31 (618)
WC16C16	14/14	16.00x16.00x11.09 (406x406x282)	9.69 (246)	14.38 (365)	14.56 (370)	15.44 (392)	16.31 (414)	16.31 (414)
WC16C20	14/14	16.00x20.00x11.09 (406x508x282)	9.69 (246)	14.38 (365)	14.56 (370)	19.44 (494)	16.31 (414)	20.31 (516)
WC16C24	14/14	16.00x24.00x11.09 (406x610x282)	9.69 (246)	14.38 (365)	14.56 (370)	23.44 (595)	16.31 (414)	24.31 (618)
WC16C30	14/14	16.00x30.00x11.09 (406x762x282)	9.69 (246)	14.38 (365)	14.56 (370)	29.44 (748)	16.31 (414)	30.31 (770)
WC16C36	14/14	16.00x36.00x11.09 (406x914x282)	9.69 (246)	14.38 (365)	14.56 (370)	35.44 (900)	16.31 (414)	36.31 (922)
WC20C20	14/14	20.00x20.00x13.09 (508x508x333)	11.69 (297)	17.84 (453)	18.56 (471)	19.44 (494)	20.31 (516)	20.31 (516)
WC20C24	14/14	20.00x24.00x13.09 (508x610x333)	11.69 (297)	17.84 (453)	18.56 (471)	23.44 (595)	20.31 (516)	24.31 (618)
WC20C30	14/14	20.00x30.00x13.09 (508x762x333)	11.69 (297)	17.84 (453)	18.56 (471)	29.44 (748)	20.31 (516)	30.31 (770)



Console can be positioned at 30° or 60° angle.

CCOL & BASE SERIES PEDESTALS NEMA 12 OPERATOR INTERFACE



WA44CCOL
WITH OPTIONAL BASE SHOWN



WA44BPCOL
WITH OPTIONAL BASE SHOWN

Industry Standards Type 12 & 13

UL Files E64791

CSA File LL66078

FEATURES-SPECIFICATIONS

Applications

Designed to permit floor mounting of many types of enclosures and boxes. Four column and two base sizes are available. Columns can be mounted on either base. Wiring connections can be made through the base, through the vertical column, or directly to the enclosure. Columns have flanges at each end and a gasketed access plate. Screws, oil-resistant gaskets, and box connector fitting are furnished with each column for joining and enclosure to the top of the column. A cutout must be made in the enclosure if the wires are to come through the column.

Construction—Column

- Columns fabricated from 14 gauge steel with 10 gauge flanges
- Gasket, screws and box connective fittings are furnished for mounting console
- Columns feature gasketed access plate
- Stainless steel columns fabricated from 304 stainless steel

Construction—Base

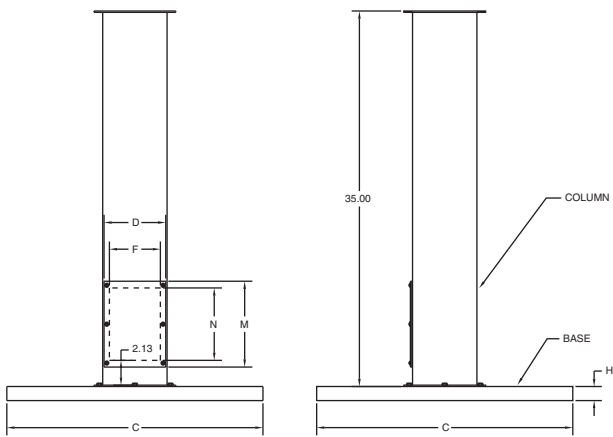
- 18" bases are fabricated from 10 gauge steel
- 24" bases are fabricated from 7 gauge steel
- Both bases have added reinforcing, leveling screws and holes for securing to floor
- Stainless steel bases fabricated from 304 stainless steel

Finish

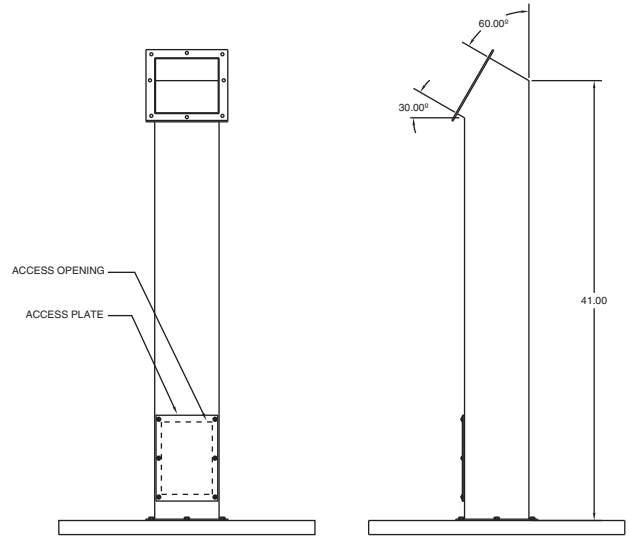
- ANSI-61 gray polyester powder inside and out over phosphatized surfaces
- Stainless steel product – standard grain finish

OPERATOR INTERFACE PEDESTALS AND BASES											
CATALOG NUMBER		BODY/DOOR STEEL GAUGE	SIZE	DESCRIPTION	C	D	F	H	M	N	P
GRAY	STAINLESS STEEL										
WA44CCOL	WA44CCOLSS	14	4.00x4.00 (102x102)	Straight pedestal column	—	3.75 (95)	2.75 (70)	—	7.25 (184)	6.00 (152)	—
WA66CCOL	WA66CCOLSS	14	6.00x6.00 (152x152)	Straight pedestal column	—	5.75 (146)	4.75 (121)	—	8.00 (203)	6.75 (171)	—
WA44BPCOL	WA44BPCOLSS	14	4.00x4.00 (102x102)	Angled pedestal column	—	3.75 (95)	2.75 (70)	—	7.25 (184)	6.00 (152)	—
WA66BPCOL	WA66BPCOSS	14	6.00x6.00 (152x152)	Angled pedestal column	—	5.75 (146)	4.75 (121)	—	8.00 (203)	6.75 (171)	—
WA18SBASE	WA18SBASESS	10	18.00x18.00 (457x457)	Pedestal base	18.06 (459)	—	—	1.13 (29)	—	—	0.47 (12)
WA24SBASE	WA24SBASESS	7	24.00x24.00 (610x610)	Pedestal base	23.88 (606)	—	—	1.31 (33)	—	—	0.78 (20)

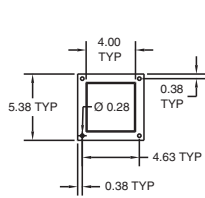
NOTE: The user would normally remove the mounting feet from the enclosure if the enclosure is mounted on a pedestal. Hubbell Wiegmann can supply enclosures without mounting feet/plates and with cutouts as a special. Consult factory for information.



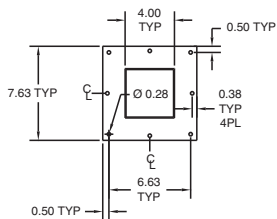
STRAIGHT PEDESTALS



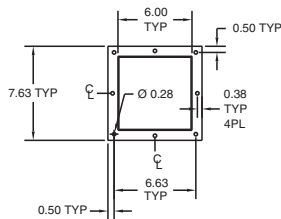
ANGLED PEDESTALS



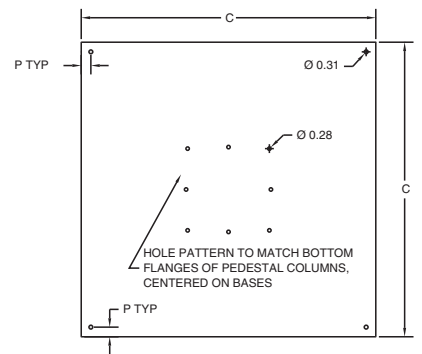
**TOP FLANGE
4 X 4**



**BOTTOM FLANGE
4 X 4**



**TOP AND BOTTOM FLANGES
6 X 6**



TOP VIEW OF BASES



WPBA10

Industry Standards

UL 508, Types 12 & 13
CSA Certified, Types 12 & 13
NEMA/EEMAC Type 12 & 13
JIC EL-171

 UL Files E64791

 CSA File LL66078

FEATURES-SPECIFICATIONS

Applications

Designed for use where slanted control surfaces are wanted. Enclosures may be mounted in a variety of ways to meet specific requirements. Receives all standard brands of oil-tight pushbuttons, switches and pilot lights. Provide protection from dirt, dust, oil and water.

Construction

- Fabricated from 14 gauge steel
- Closed cell oil resistant neoprene gasket

- Continuously welded seams ground smooth
- External mounting plate, top and bottom of enclosure
- Captivated cover screws thread into sealed wells
- Standard "4-way" pushbutton holes accept all brands of oil-tight pushbuttons, switches and pilot lights
- Enclosures 7.25" x 6.25" x 6.75" and larger have internal detachable

hinges to hold cover open during wiring, yet permit quick removal

- Grounding provisions provided

Finish

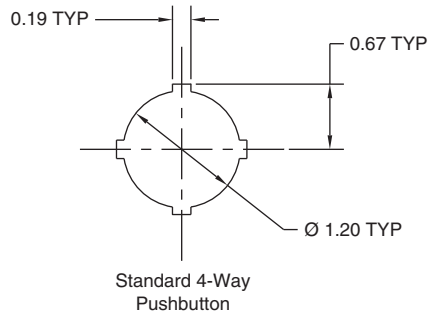
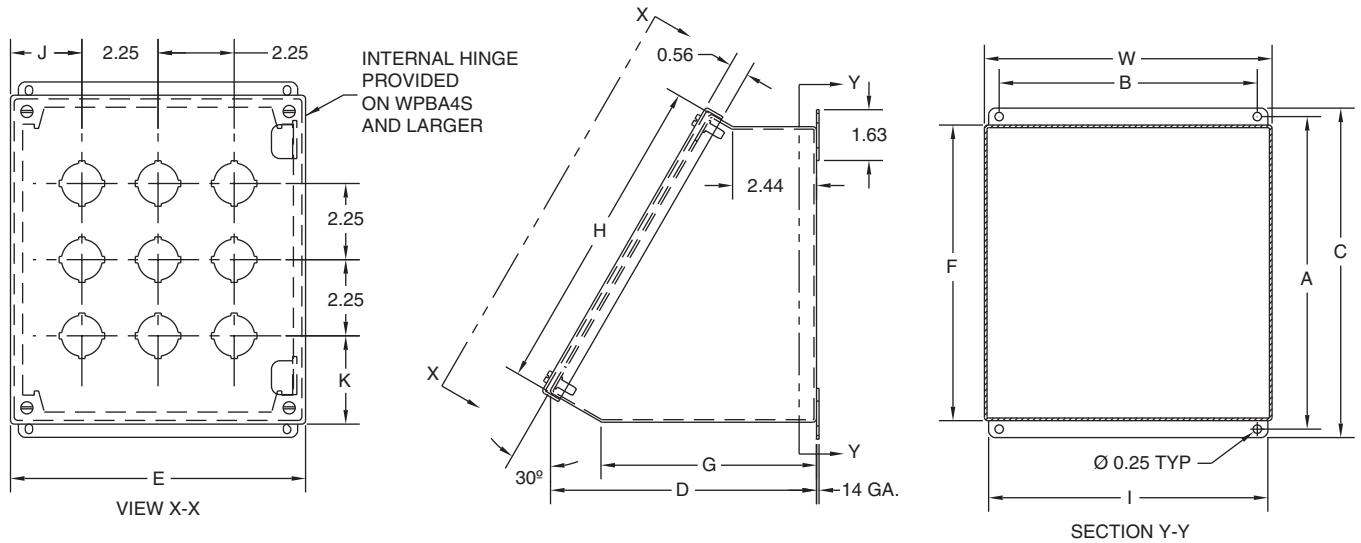
- ANSI-61 gray polyester powder inside and out over phosphatized surfaces

Accessories

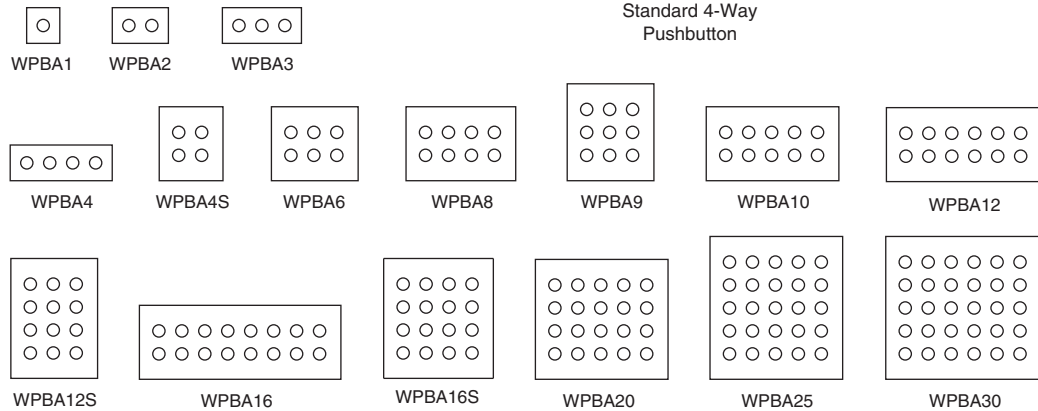
- See pages J1-J22

WPBA SERIES OPERATOR INTERFACE • 30.5MM SLOPING FRONT PUSHBUTTON ENCLOSURES

CATALOG NUMBER	BODY/DOOR STEEL GAUGE	ENCLOSURE SIZE H X W X D	MOUNTING A X B	OVERALL C X E	F	G	I	J	K
WPBA1	14/14	3.50x3.25x4.78 (89x83x121)	4.03x2.38 (102x60)	4.53x3.56 (115x90)	3.53 (90)	3.31 (84)	3.00 (76)	1.78 (45)	1.88 (48)
WPBA2	14/14	3.50x5.50x4.78 (89x140x121)	4.03x4.63 (102x117)	4.53x5.81 (115x148)	3.53 (90)	3.31 (84)	5.25 (133)	1.78 (45)	1.88 (48)
WPBA3	14/14	3.50x7.75x4.78 (89x197x121)	4.03x6.88 (102x175)	4.53x8.06 (115x205)	3.53 (90)	3.31 (84)	7.50 (191)	1.78 (45)	1.88 (48)
WPBA4	14/14	3.50x10.00x4.78 (89x254x121)	4.03x9.13 (102x232)	4.53x10.31 (115x262)	3.53 (90)	3.31 (84)	9.75 (248)	1.78 (45)	1.88 (48)
WPBA4S	14/14	7.25x6.25x6.66 (184x159x169)	7.28x5.38 (185x137)	7.78x6.56 (198x167)	6.78 (172)	5.19 (132)	6.00 (152)	2.16 (55)	2.63 (67)
WPBA6	14/14	7.25x8.50x6.66 (184x216x169)	7.28x7.63 (185x194)	7.78x8.81 (198x224)	6.78 (172)	5.19 (132)	8.25 (210)	2.16 (55)	2.63 (67)
WPBA8	14/14	7.25x10.75x6.66 (184x273x169)	7.28x9.88 (185x251)	7.78x11.06 (198x281)	6.78 (172)	5.19 (132)	10.50 (267)	2.16 (55)	2.63 (67)
WPBA9	14/14	9.50x8.50x7.78 (241x216x198)	9.25x7.63 (235x194)	9.75x8.81 (248x224)	8.75 (222)	6.31 (160)	8.25 (210)	2.16 (55)	2.63 (67)
WPBA10	14/14	7.25x13.00x6.66 (184x330x169)	7.28x12.13 (185x308)	7.78x13.31 (198x338)	6.78 (172)	5.19 (132)	12.75 (324)	2.16 (55)	2.63 (67)
WPBA12	14/14	7.25x15.25x6.66 (184x387x169)	7.28x14.38 (185x365)	7.78x15.56 (198x395)	6.78 (172)	5.19 (132)	15.00 (381)	2.16 (55)	2.63 (67)
WPBA12S	14/14	11.75x8.50x8.91 (298x216x226)	11.19x7.63 (284x194)	11.69x8.81 (297x224)	10.69 (271)	7.44 (189)	8.25 (210)	2.16 (55)	2.63 (67)
WPBA16	14/14	7.25x19.75x6.66 (184x502x169)	7.28x18.88 (185x479)	7.78x20.06 (198x510)	6.78 (172)	5.19 (132)	19.50 (495)	2.16 (55)	2.63 (67)
WPBA16S	14/14	11.75x10.75x8.91 (298x273x226)	11.19x9.88 (284x251)	11.69x11.06 (297x281)	10.69 (271)	7.44 (189)	10.50 (267)	2.16 (55)	2.63 (67)
WPBA20	14/14	11.75x13.00x8.91 (298x330x226)	11.19x12.13 (284x308)	11.69x13.31 (297x338)	10.69 (271)	7.44 (189)	12.75 (324)	2.16 (55)	2.63 (67)
WPBA25	14/14	14.00x13.00x10.03 (356x330x255)	13.13x12.13 (333x308)	13.63x13.31 (346x338)	12.63 (321)	8.56 (217)	12.75 (324)	2.16 (55)	2.63 (67)
WPBA30	14/14	14.00x15.25x10.03 (356x387x255)	13.13x14.38 (333x365)	13.63x15.56 (346x395)	12.63 (321)	8.56 (217)	15.00 (381)	2.16 (55)	2.63 (67)



WPBA Hole Arrangements



PB SERIES 30.5MM PUSHBUTTON ENCLOSURES NEMA 4 & 12 OPERATOR INTERFACE



PB4



PB3BC

Industry Standards

- UL 508, Types 4, 12 & 13
- CSA Certified, Types 12 & 13
- NEMA/EEMAC Type 4, 12 & 13
- JIC EL-1-71
- (PB16 & PB25 meet N12 only)

 UL File E64791

 CSA File LL66078

FEATURES-SPECIFICATIONS

Applications

Designed to hold all standard brands of pushbuttons, switches and pilot lights. Provide protection from dust, dirt, oil and water.

Construction

- Bodies and doors fabricated from 14 gauge steel
- Continuously welded seams ground smooth
- Closed cell oil resistant neoprene gasket

- External mounting plates, top and bottom of enclosure
- Captivated cover screws thread into sealed wells
- Standard "4-way" pushbuttons holes accept all brands of oil-tight push buttons, switches and pilot lights
- Enclosures 9.50" x 6.25" x 3.00" and larger have internal detachable hinges to hold cover open during wiring, yet permit quick removal

- Grounding provisions provided

Finish

- ANSI-61 gray polyester powder inside and out over phosphatized surfaces

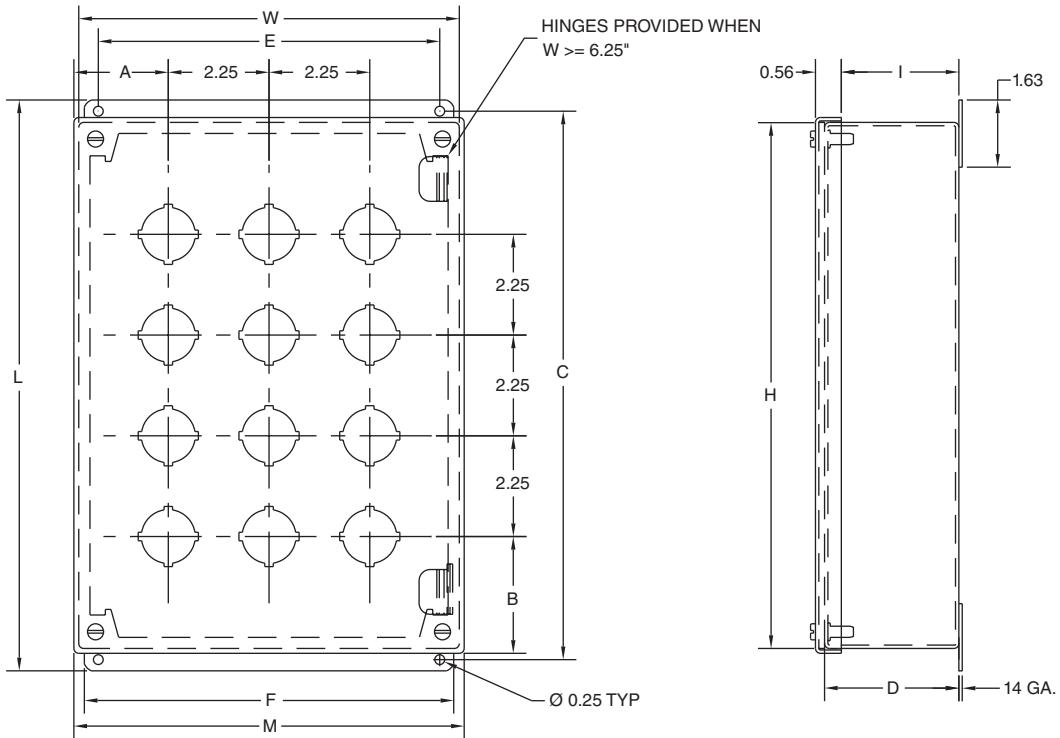
Accessories

- See page E2 for stainless steel PB-SS Series
- PBBC Series, blank covers-no holes (reference tables)
- For accessories, see pages J1-J22

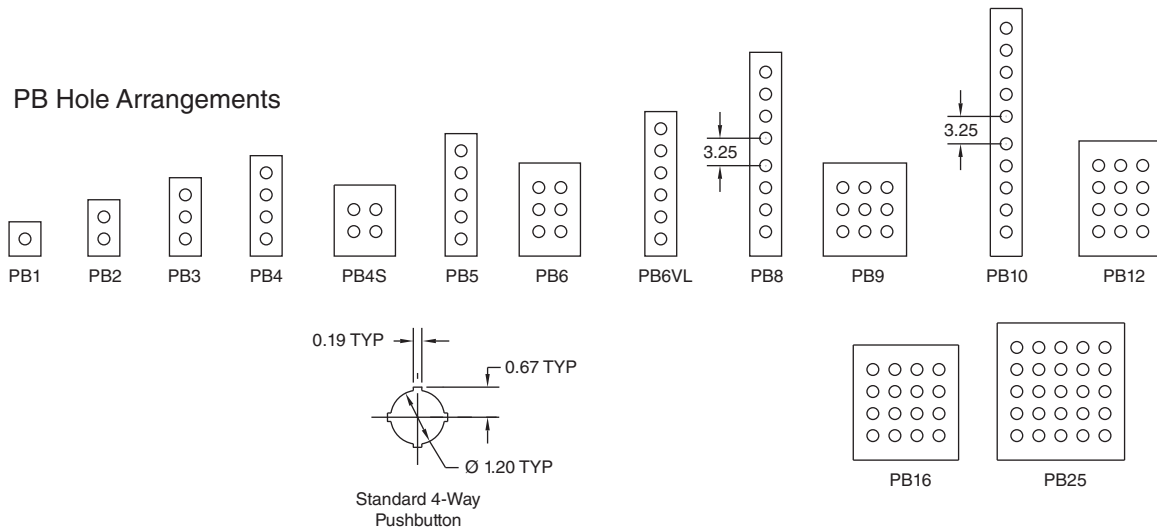
PB SERIES OPERATOR INTERFACE 30.5MM PUSHBUTTON ENCLOSURES

CATALOG NUMBER	BLANK COVER ENCLOSURE CATALOG NO.	BODY/DOOR STEEL GAUGE	ENCLOSURE SIZE H X W X D	MOUNTING C X E	OVERALL L X M	F	I	A	B
PB1	PB1BC	14/14	3.50x3.25x2.81 (89x83x71)	4.00x2.38 (102x60)	4.50x3.56 (114x90)	3.00 (76)	2.41 (61)	1.78 (45)	1.88 (48)
PB2	PB2BC	14/14	5.75x3.25x2.81 (146x83x71)	6.25x2.38 (159x60)	6.75x3.56 (171x90)	3.00 (76)	2.41 (61)	1.78 (45)	1.88 (48)
PB3	PB3BC	14/14	8.00x3.25x2.81 (203x83x71)	8.50x2.38 (216x60)	9.00x3.56 (229x90)	3.00 (76)	2.41 (61)	1.78 (45)	1.88 (48)
PB4	PB4BC	14/14	10.25x3.25x2.81 (260x83x71)	10.75x2.38 (273x60)	11.25x3.56 (286x90)	3.00 (76)	2.41 (61)	1.78 (45)	1.88 (48)
PB4S	PB4SBC	14/14	7.25x6.25x3.09 (184x159x79)	7.75x5.38 (197x137)	8.25x6.56 (210x167)	6.00 (152)	2.69 (68)	2.16 (55)	2.63 (67)
PB5	PB5BC	14/14	12.50x3.25x2.81 (318x83x71)	13.00x2.38 (330x60)	13.50x3.56 (343x90)	3.00 (76)	2.41 (61)	1.78 (45)	1.88 (48)
PB6	PB6BC	14/14	9.50x6.25x3.09 (241x159x79)	10.00x5.38 (254x137)	10.50x6.56 (267x167)	6.00 (152)	2.69 (68)	2.16 (55)	2.63 (67)
PB6VL	PB6VLBC	14/14	14.75x3.25x2.81 (375x83x71)	15.25x2.38 (387x60)	15.75x3.56 (400x90)	3.00 (76)	2.41 (61)	1.78 (45)	1.88 (48)
PB8	PB8BC	14/14	20.25x3.25x2.81 (514x83x71)	20.75x2.38 (527x60)	21.25x3.56 (540x90)	3.00 (76)	2.41 (61)	1.78 (45)	1.88 (48)
PB9	PB9BC	14/14	9.50x8.50x3.09 (241x216x79)	10.00x7.63 (254x194)	10.50x8.81 (267x224)	8.25 (210)	2.69 (68)	2.16 (55)	2.63 (67)
PB10	PB10BC	14/14	24.75x3.25x2.81 (629x83x71)	25.25x2.38 (641x60)	25.75x3.56 (654x90)	3.00 (76)	2.41 (61)	1.78 (45)	1.88 (48)
PB12	PB12BC	14/14	11.75x8.50x3.09 (298x216x79)	12.25x7.63 (311x194)	12.75x8.81 (324x224)	8.25 (210)	2.69 (68)	2.16 (55)	2.63 (67)
PB16**	PB16BC**	14/14	11.75x10.75x3.09 (298x273x79)	12.25x9.88 (311x251)	12.75x11.06 (324x281)	10.50 (267)	2.69 (68)	2.16 (55)	2.63 (67)
PB25**	PB25BC**	14/14	14.00x13.00x3.09 (356x330x79)	14.50x12.13 (368x308)	15.00x13.31 (381x338)	12.75 (324)	2.69 (68)	2.16 (55)	2.63 (67)

** Only meets N12.



PB Hole Arrangements



PBGX SERIES 22.5MM PUSHBUTTON ENCLOSURES NEMA 12 OPERATOR INTERFACE



PBGX6

Industry Standards

UL 508, Types 12 & 13
CSA Certified, Types 12 & 13
NEMA/EEMAC Type 12 & 13
JIC EL-1-71

 UL Files E64791

 CSA File LL66078

FEATURES-SPECIFICATIONS

Applications

Designed to hold all standard brands of miniature oil-tight pushbuttons, switches, and pilot lights. Provide protection from dust, dirt, oil and water.

Construction

- Fabricated from 14 gauge steel
- Continuously welded seams ground smooth
- Closed cell oil resistant neoprene gasket
- External mounting plates, top and bottom of enclosure

- Captivated cover screws thread into sealed wells
- Standard "4-way" miniature push-button holes accept all standard brands of miniature push buttons, switches and pilot lights
- Enclosures 8.50" x 5.00" x 4.25" and larger have internal detachable hinges to hold cover open during wiring yet permit quick removal
- Grounding provisions provided

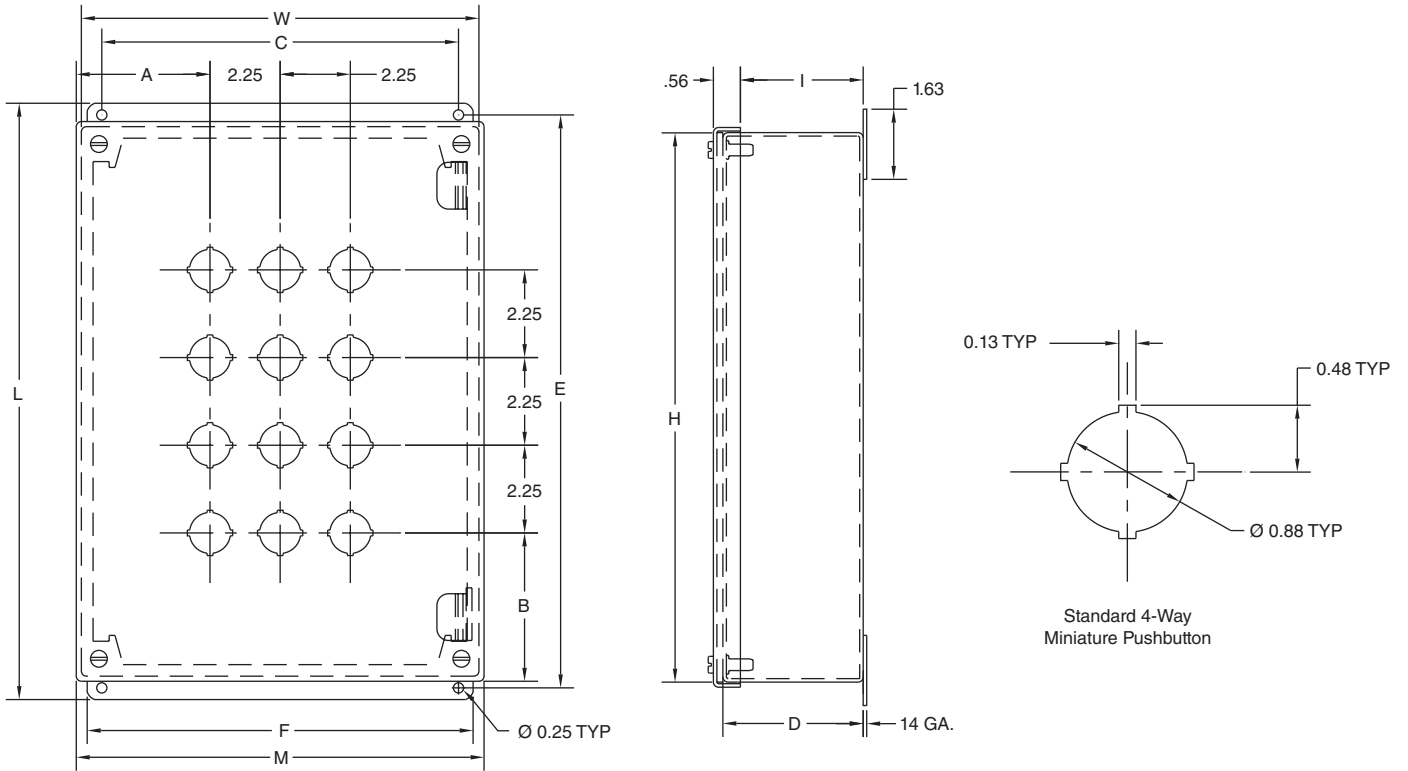
Finish

- ANSI-61 gray polyester powder inside and out over phosphatized surfaces

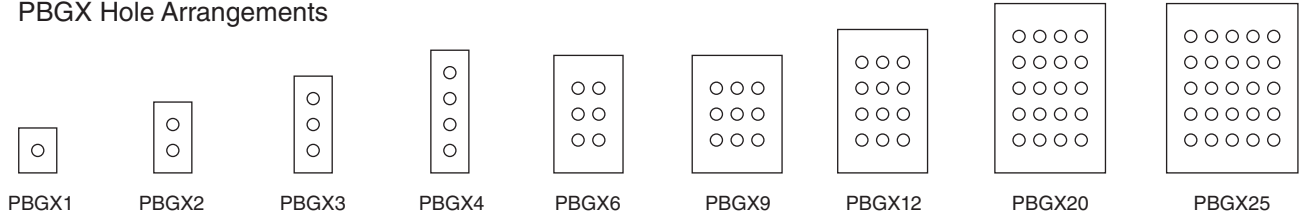
Accessories

- See pages J1-J22

PBGX SERIES OPERATOR INTERFACE 22.5MM PUSHBUTTON ENCLOSURES								
CATALOG NUMBER	BODY/DOOR STEEL GAUGE	ENCLOSURE SIZE H X W X D	MOUNTING C X E	OVERALL L X M	F	I	A	B
PBGX1	14/14	3.25x2.75x3.50 (83x70x89)	1.88x3.75 (48x95)	4.25x3.06 (108x78)	2.50 (64)	3.09 (79)	1.53 (39)	1.78 (45)
PBGX2	14/14	5.13x2.75x3.50 (130x70x89)	1.88x5.63 (48x143)	6.13x3.06 (156x78)	2.50 (64)	3.09 (79)	1.53 (39)	1.78 (45)
PBGX3	14/14	7.00x2.75x3.50 (178x70x89)	1.88x7.50 (48x191)	8.00x3.06 (203x78)	2.50 (64)	3.09 (79)	1.53 (39)	1.78 (45)
PBGX4	14/14	8.88x2.75x3.50 (225x70x89)	1.88x9.38 (48x238)	9.88x3.06 (251x78)	2.50 (64)	3.09 (79)	1.53 (39)	1.78 (45)
PBGX6	14/14	8.50x5.00x4.25 (216x127x108)	4.13x9.00 (105x229)	9.50x5.31 (241x135)	4.75 (121)	3.84 (98)	1.91 (48)	2.53 (64)
PBGX9	14/14	8.50x6.50x4.25 (216x165x108)	5.63x9.00 (143x229)	9.50x6.81 (241x173)	6.25 (159)	3.84 (98)	1.91 (48)	2.53 (64)
PBGX12	14/14	10.38x6.50x4.25 (264x165x108)	5.63x10.88 (143x276)	11.38x6.81 (289x173)	6.25 (159)	3.84 (98)	1.91 (48)	2.53 (64)
PBGX20	14/14	12.25x8.00x4.25 (311x203x108)	7.13x12.75 (181x324)	13.25x8.31 (337x211)	7.75 (197)	3.84 (98)	1.91 (48)	2.53 (64)
PBGX25	14/14	12.25x9.50x4.25 (311x241x108)	8.63x12.75 (219x324)	13.25x9.81 (337x249)	9.25 (235)	3.84 (98)	1.91 (48)	2.53 (64)



PBGX Hole Arrangements



PBXD SERIES 30.5MM PUSHBUTTON ENCLOSURES NEMA 4 & 12 OPERATOR INTERFACE



PBXD6

Industry Standards

UL 508, Types 4, 12 & 13
 CSA Certified, Types 12 & 13
 NEMA/EEMAC Type 4, 12 & 13
 JIC EL-1-71
 (PB16, 16V, 20 & 25 meet N12 only)

 UL File E64791

 CSA File LL66078

FEATURES-SPECIFICATIONS

Applications

Designed to hold 30.5mm oil-tight pushbuttons, switches, and pilot lights. Provide protection against dirt, dust, oil, and water. Extra deep design accommodates additional contact blocks for pushbuttons.

Construction

- Bodies and doors fabricated from 14 gauge steel
- Continuously welded seams ground smooth

- Closed cell oil resistant neoprene gasket
- External mounting plates, top and bottom of enclosure
- Captivated cover screws thread into sealed wells
- Standard "4-way" pushbuttons holes accept all brands of oil-tight push buttons, switches and pilot lights
- Enclosures 6.00" x 4.00" x 4.75" and larger have internal detachable

hinges to hold cover open during wiring, yet permit quick removal

- Grounding provisions provided

Finish

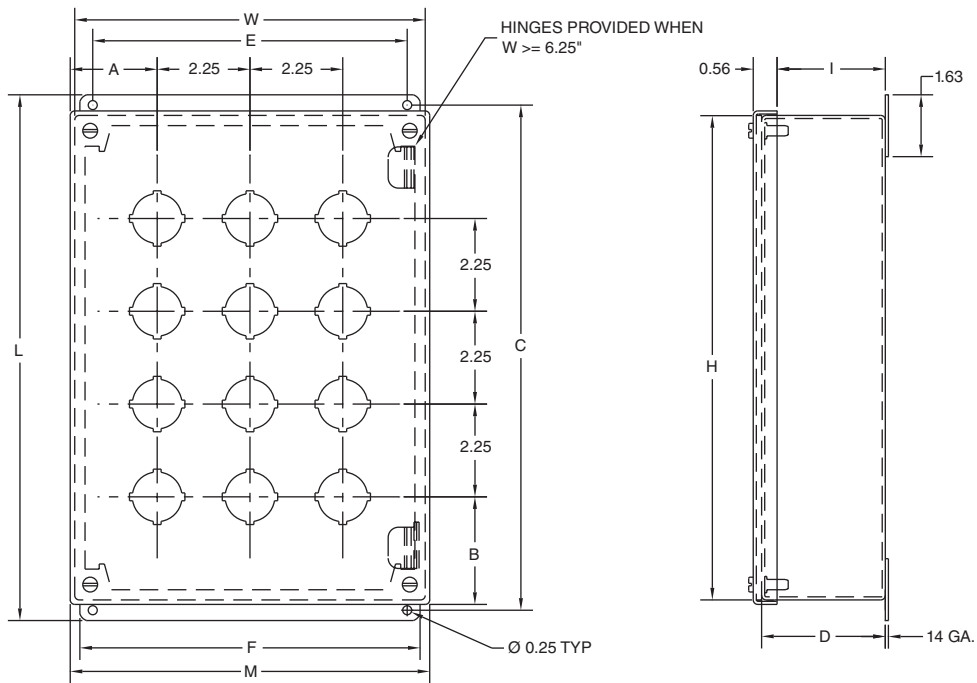
- ANSI-61 gray polyester powder inside and out over phosphatized surfaces

Accessories

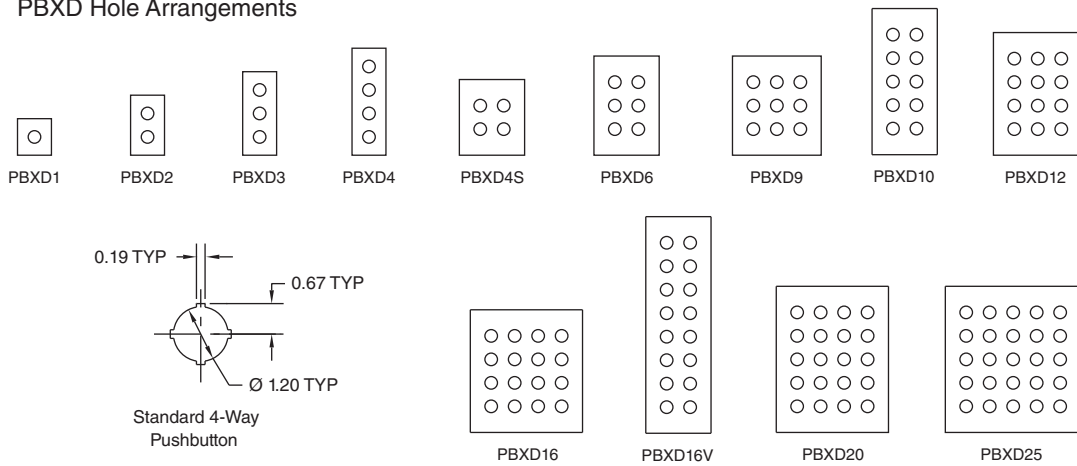
- See page E4 for PBXD Series in stainless steel
- For accessories, see pages J1-J22

PBXD SERIES OPERATOR INTERFACE 30.5MM PUSHBUTTON ENCLOSURES								
CATALOG NUMBER	BODY/DOOR STEEL GAUGE	ENCLOSURE SIZE H X W X D	MOUNTING E X C	OVERALL L X M	F	I	A	B
PBXD1	14/14	4.00x4.00x4.81 (102x102x122)	3.13x4.50 (79x114)	5.00x4.31 (127x110)	3.75 (95)	4.41 (112)	2.19 (56)	2.16 (55)
PBXD2	14/14	6.00x4.00x4.81 (152x102x122)	3.13x6.50 (79x165)	7.00x4.31 (178x110)	3.75 (95)	4.41 (112)	2.19 (56)	2.03 (52)
PBXD3	14/14	8.00x4.00x4.81 (203x102x122)	3.13x8.50 (79x216)	9.00x4.31 (229x110)	3.75 (95)	4.41 (112)	2.19 (56)	1.88 (50)
PBXD4	14/14	10.00x4.00x4.81 (254x102x122)	3.13x10.50 (79x267)	11.00x4.31 (279x110)	3.75 (95)	4.41 (112)	2.19 (56)	1.78 (45)
PBXD4S	14/14	7.25x6.25x4.81 (184x159x122)	5.38x7.75 (137x197)	8.25x6.56 (210x167)	6.00 (152)	4.41 (112)	2.19 (56)	1.66 (42)
PBXD6	14/14	9.50x6.25x4.81 (241x159x122)	5.38x10.00 (137x254)	10.50x6.56 (267x167)	6.00 (152)	4.41 (112)	2.19 (56)	2.66 (67)
PBXD9	14/14	9.50x8.50x4.81 (241x216x122)	7.63x10.00 (194x254)	10.50x8.81 (267x224)	8.25 (210)	4.41 (112)	2.19 (56)	2.66 (67)
PBXD10	14/14	14.00x6.25x4.81 (356x159x122)	5.38x14.50 (137x368)	15.00x6.56 (381x167)	6.00 (152)	4.41 (112)	2.19 (56)	2.66 (67)
PBXD12	14/14	11.75x8.50x4.81 (298x216x122)	7.63x12.25 (194x311)	12.75x8.81 (324x224)	8.25 (210)	4.41 (112)	2.19 (56)	2.66 (67)
PBXD16**	14/14	11.75x10.75x4.81 (298x273x122)	9.88x12.25 (251x311)	12.75x11.06 (324x281)	10.50 (267)	4.41 (112)	2.19 (56)	2.66 (67)
PBXD16V**	14/14	20.75x6.25x4.81 (527x159x122)	5.38x21.25 (137x540)	21.75x6.56 (552x167)	6.00 (152)	4.41 (112)	2.19 (56)	2.66 (67)
PBXD20**	14/14	14.00x10.75x4.81 (356x273x122)	9.88x14.50 (251x368)	15.00x11.06 (381x281)	10.50 (267)	4.41 (112)	2.19 (56)	2.66 (67)
PBXD25**	14/14	14.00x13.00x4.81 (356x330x122)	12.13x14.50 (308x368)	15.00x13.31 (381x338)	12.75 (324)	4.41 (112)	2.19 (56)	2.66 (67)

** Only meets N12.



PBXD Hole Arrangements





PSL4

Industry Standards

UL 508, Types 12 & 13
CSA Certified, Types 12 & 13
NEMA/EEMAC Type 12 & 13
JIC EL-1-71

 UL Files E64791

 CSA File LL66078

FEATURES-SPECIFICATIONS

Applications

Designed to hold all standard brands of pushbuttons, switches and pilot lights. Provides protection from dust, dirt, oil and water. This "Slimline" model is designed for conditions where enclosures must fit within very limited areas.

Construction

- Fabricated from 14 gauge steel
- Continuously welded seams ground smooth

- Closed cell oil resistant neoprene gasket
- External mounting plates, top and bottom of enclosure
- Captivated cover screws thread into sealed wells
- Standard 4-way pushbutton holes accept all brands of oil-tight pushbuttons, switches and pilot lights
- Grounding provisions provided

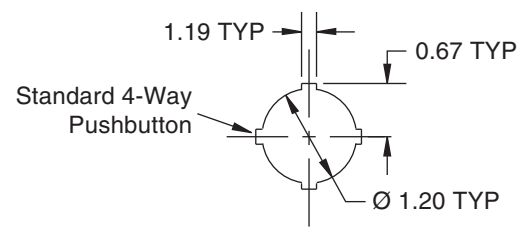
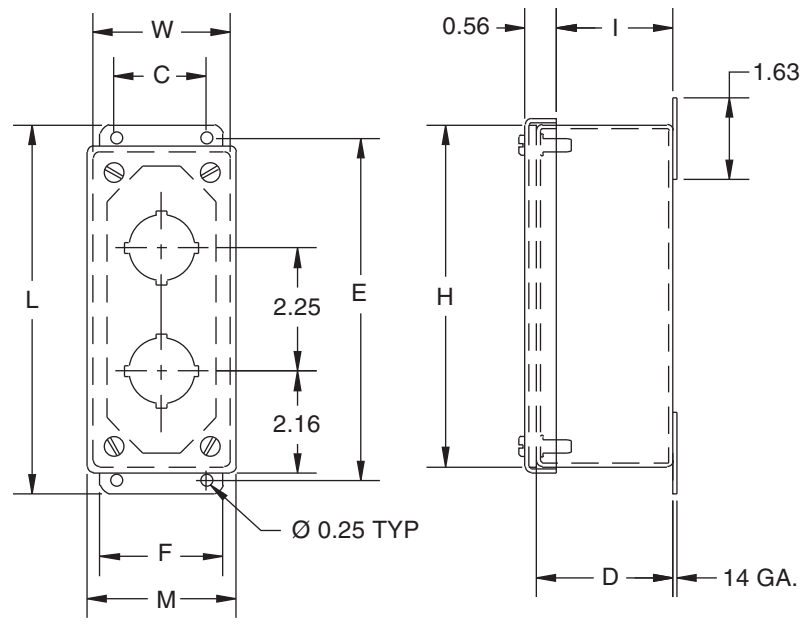
Finish

- ANSI-61 gray polyester powder inside and out over phosphatized surfaces

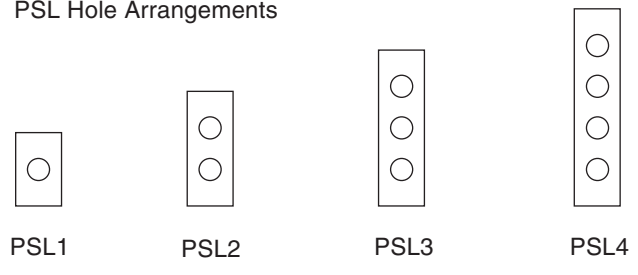
Accessories

- See pages J1-J22

PSL SERIES OPERATOR INTERFACE 30.5MM PUSHBUTTON ENCLOSURES						
CATALOG NUMBER	BODY/DOOR STEEL GAUGE	ENCLOSURE SIZE H X W X D	MOUNTING C X E	OVERALL L X M	F	I
PSL1	14/14	4.00x2.50x2.50 (102x64x64)	1.63x4.50 (41x114)	5.00x2.81 (127x71)	2.25 (57)	2.09 (53)
PSL2	14/14	6.25x2.50x2.50 (159x64x64)	1.63x6.75 (41x171)	7.25x2.81 (184x71)	2.25 (57)	2.09 (53)
PSL3	14/14	8.50x2.50x2.50 (216x64x64)	1.63x9.00 (41x229)	9.50x2.81 (241x71)	2.25 (57)	2.09 (53)
PSL4	14/14	10.75x2.50x2.50 (273x64x64)	1.63x11.25 (41x286)	11.75x2.81 (298x71)	2.25 (57)	2.09 (53)



PSL Hole Arrangements



PBYX SERIES 30.5MM PUSHBUTTON ENCLOSURES NEMA 12 OPERATOR INTERFACE



PBX12

Industry Standards

UL 508, Types 12 & 13
CSA Certified, Types 12 & 13
NEMA/EEMAC Type 12 & 13
JIC EL-1-71

 UL Files E64791

 CSA File LL66078

FEATURES-SPECIFICATIONS

Applications

Designed to hold 30.5mm oil-tight pushbuttons, switches, and pilot lights with extra size to allow 2.50" between centers of pushbutton holes. Provide protection against dirt, dust, oil, and water.

Construction

- Fabricated from 14 gauge steel
- Continuously welded seams ground smooth
- Cover held in place by continuous hinge

- Back panel included with enclosure
- Closed cell oil resistant neoprene gasket
- External mounting plates, top and bottom of enclosure
- Captivated cover screws thread into sealed wells
- Standard "4-way" pushbutton holes accept all brands of oil-tight push buttons, switches and pilot lights
- Grounding provisions provided

Finish

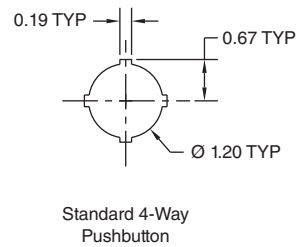
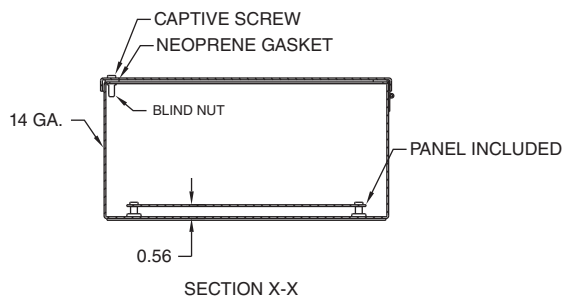
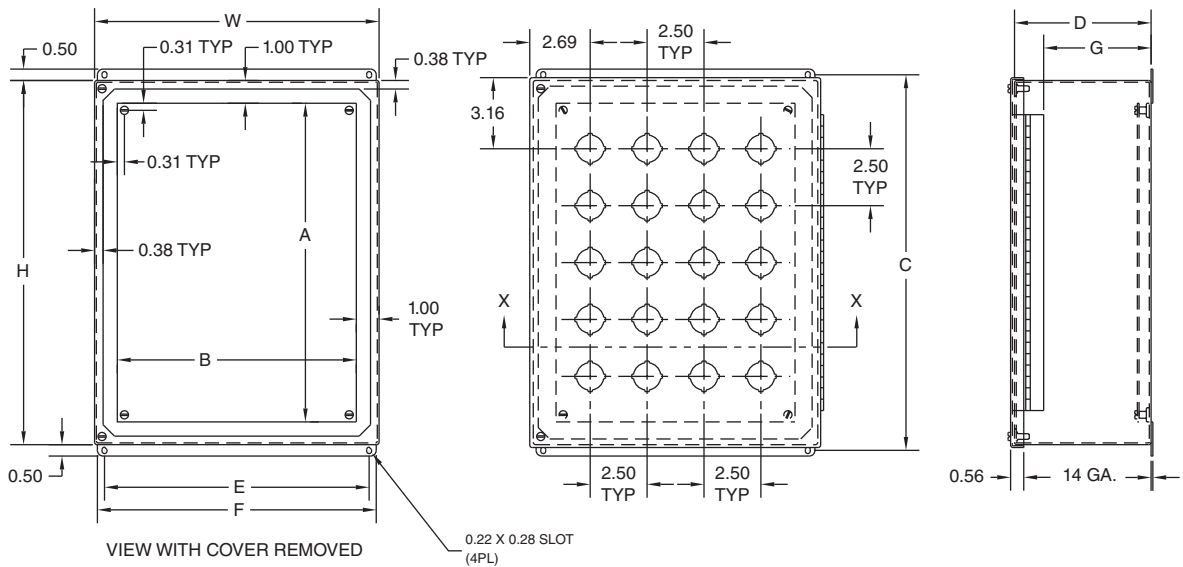
- ANSI-61 gray polyester powder inside and out over phosphatized surfaces
- Included back panels are white polyester powder over phosphatized surfaces

Accessories

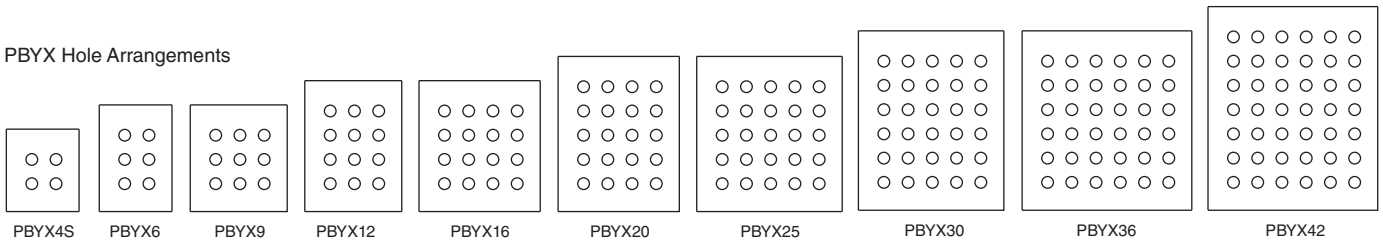
- See pages J1-J22

PBYX SERIES OPERATOR INTERFACE 30.5MM PUSHBUTTON ENCLOSURES						
CATALOG NUMBER	BODY/DOOR STEEL GAUGE	ENCLOSURE SIZE H X W X D	MOUNTING C X E	BACK PANEL SIZE A X B	F	G
PBYX4S	14/14	8.50x7.50x6.00 (216x191x152)	9.00x6.50 (229x165)	6.50x5.50 (165x140)	7.25 (184)	4.78 (121)
PBYX6	14/14	11.00x7.50x6.00 (279x191x152)	11.50x6.50 (292x165)	9.00x5.50 (229x140)	7.25 (184)	4.78 (121)
PBYX9	14/14	11.00x10.00x6.00 (279x254x152)	11.50x9.00 (292x229)	9.00x8.00 (229x203)	9.75 (248)	4.78 (121)
PBYX12	14/14	13.50x10.00x6.00 (343x254x152)	14.00x9.00 (356x229)	11.50x8.00 (292x203)	9.75 (248)	4.78 (121)
PBYX16	14/14	13.50x12.50x6.00 (343x318x152)	14.00x11.50 (356x292)	11.50x10.50 (292x267)	12.25 (311)	4.78 (121)
PBYX20	14/14	16.00x12.50x6.00 (406x318x152)	16.50x11.50 (419x292)	14.00x10.50 (356x267)	12.25 (311)	4.78 (121)
PBYX25	14/14	16.00x15.00x6.00 (406x381x152)	16.50x14.00 (419x356)	14.00x13.00 (356x330)	14.75 (375)	4.78 (121)
PBYX30	14/14	18.50x15.00x6.00 (470x381x152)	19.00x14.00 (483x356)	16.50x13.00 (419x330)	14.75 (375)	4.78 (121)
PBYX36	14/14	18.50x17.50x6.00 (470x445x152)	19.00x16.50 (483x419)	16.50x15.50 (419x394)	17.25 (438)	4.78 (121)
PBYX42	14/14	21.00x17.50x6.00 (533x445x152)	21.50x16.50 (546x419)	19.00x15.50 (483x394)	17.25 (438)	4.78 (121)

*Back panels included with enclosure.



PBYX Hole Arrangements





NOTES

Section I Index

P, PG, PSS, PAL Series Panels for JIC EnclosuresI2	NPDD, NPDDG Series Panels (Solid & Perforated) for Double Door Floor-Mount EnclosuresI7	WA-SMP Series Side-Mount Panels for Freestanding EnclosuresI11
N1P, N1PPP Series Panels (Solid & Perforated) for Small NIC & RHC EnclosuresI3	WA-F1/F2 Series Panels for Single Door Freestanding EnclosuresI8	WA-SOF Series Swing-Out Racks for Freestanding EnclosuresI12
NP, NPG, NPSS, ALNP, NPPP Series Panels (Solid & Perforated) for NEMA 1, 3R, 12, 4 & 4X Wall-MountsI4	WA-F1/F2 Series Panels for Two Door Freestanding EnclosuresI9	WA-SOF Series Rack Angles Accessory Rack Components for Freestanding EnclosuresI13
NPC, NPCG, NPSSC Series Panels for ULTIMATE EnclosuresI5	WASP-F3/F4 Series Swing-Out Panels for Freestanding EnclosuresI10	
N1P, N1PPP Series Panels for Large NIC & RHC Enclosures ...I6		

BACK PANELS





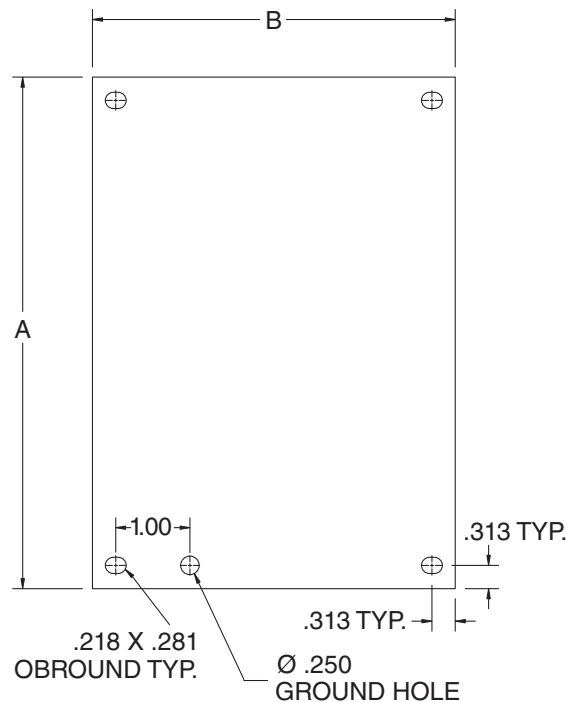
P0808

FEATURES-SPECIFICATIONS

Description

- 14 gauge (carbon, galvanized and stainless)
- White polyester powder finish on steel panels
- Optional “G” panels have a conductive finish
- Aluminum panels are 5052-H32 aluminum alloy, .080-inch thick
- Panels fit the following enclosures:
 - B
 - BCH
 - BN4
 - BN4CH
 - BN4SS
 - BN4CHSS
 - BN4AL
 - BN4CHAL

BACK PANELS FOR JIC ENCLOSURES				
PAINTED STEEL (WHITE)	CATALOG NUMBER			PANEL SIZE A X B
	“G”	304 STAINLESS STEEL	ALUMINUM	
P0604	P0604G	P0604SS	P0604AL	4.88x2.88 (124x73)
P0606	P0606G	P0606SS	P0606AL	4.88x4.88 (124x124)
P0806	P0806G	P0806SS	P0806AL	6.88x4.88 (175x124)
P0808	P0808G	—	—	6.88x6.88 (175x175)
P1008	P1008G	P1008SS	P1008AL	8.88x6.88 (226x175)
P1010	P1010G	—	—	8.88x8.88 (226x226)
P1206	P1206G	—	—	10.88x4.88 (276x124)
P1210	P1210G	P1210SS	P1210AL	10.88x8.88 (276x226)
P1212	P1212G	P1212SS	—	10.88x10.88 (276x276)
P1408	P1408G	—	—	12.88x6.88 (327x175)
P1412	P1412G	P1412SS	P1412AL	12.88x10.88 (327x276)
P1610	P1610G	—	—	14.88x8.88 (378x226)
P1614	P1614G	P1614SS	P1614AL	14.88x12.88 (378x327)



**N1P SERIES BACK PANELS
ACCESSORY PANELS FOR SMALL NIC & RHC ENCLOSURES**



N1P0606PP



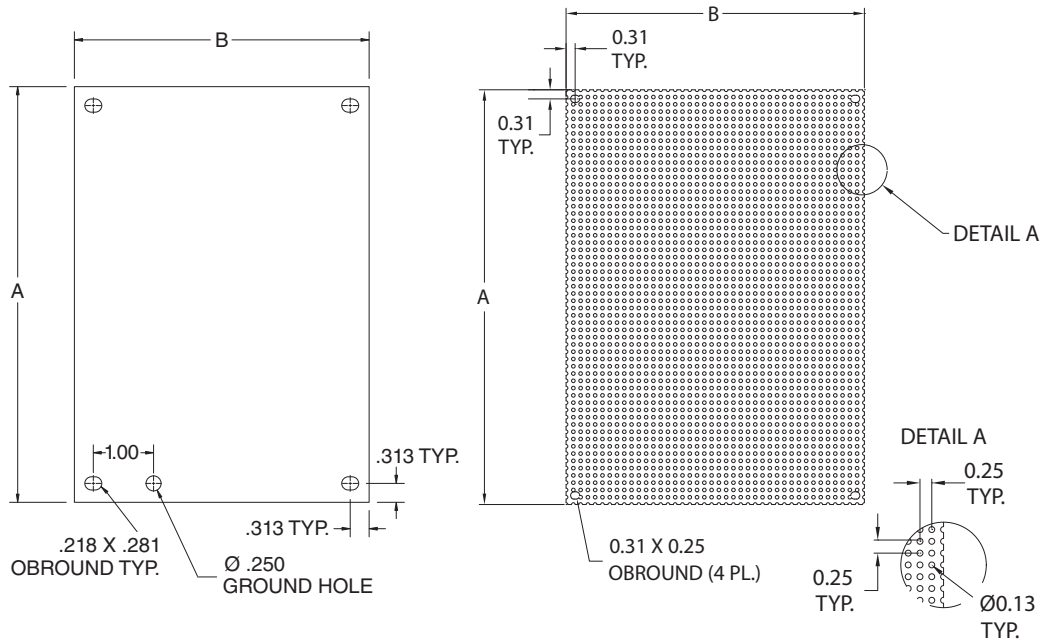
N1P0606

FEATURES-SPECIFICATIONS

Description

- 14 gauge (non-perforated)
- White polyester powder
- Panels fit the following enclosures:
 - NEMA 1 Small (NIC)
 - NEMA 3R Small (RHC)
 - NEMA 12 WAGIE
- Perforated steel panels are 14 gauge
- Accept self-tapping screws - eliminates the need to measure, mark and drill when mounting components
- Panels are used for mounting lightweight control components

BACK PANELS FOR SMALL NIC & RHC ENCLOSURES		
CATALOG NUMBER		PANEL SIZE A X B
PAINTED	PERFORATED	
N1P0606	N1P0606PP	4.25x4.25 (108x108)
N1P0608	N1P0608PP	6.25x4.25 (159x108)
N1P0808	N1P0808PP	6.25x6.25 (159x159)
N1P0810	N1P0810PP	8.25x6.25 (210x159)
N1P1010	N1P1010PP	8.25x8.25 (210x210)
N1P1012	N1P1012PP	10.25x8.25 (260x210)
N1P1212	N1P1212PP	10.25x10.25 (260x260)
N1P1214	N1P1214PP	12.25x10.25 (311x260)
N1P1216	N1P1216PP	14.25x10.25 (362x260)
N1P1220	N1P1220PP	18.25x10.25 (464x260)



**NP SERIES BACK PANELS
ACCESSORY PANELS FOR NEMA 1, 3R, 12, 4 & 4X WALL-MOUNTS**



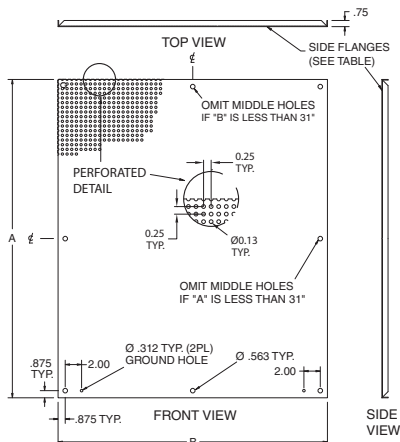
NP1212

FEATURES-SPECIFICATIONS

Description

- Steel, galvanized and stainless panels are 12 gauge
- Perforated panels are fabricated from 14 gauge
- Aluminum panels are 5052-H32 aluminum alloy, .080-inch thick
- Panel with any side over 17.00" has 3/4" flange on all sides
- Steel panels are painted white polyester powder
- Optional "G" panels have a conductive finish (no paint)
- Panels fit the following enclosures:
 - NEMA 1, Large (NIC)
 - NEMA 3R, Hinge Cover (RHC, Large)
 - NEMA 4, 412, & 4X Single Door (N12, N4, N412, SSN4, SSN43PT, SSN43PTW)
 - NEMA 12, 2-Door Wall-Mount, (WAWF), Single Door
 - Right Flange Disconnect (SDN12, ABN12)
 - Large JIC (B-CH, Large) Single door N12

BACK PANELS FOR NEMA 1, 3R, 12, 4 & 4X WALL-MOUNT ENCLOSURES					
PAINTED STEEL (WHITE)	CATALOG NUMBER				PANEL SIZE A X B
	PERFORATED	"G"	304 STAINLESS STEEL	ALUMINUM	
NP1212	—	NP1212G	—	—	9.00X9.00 (229X229)
NP1224	—	NP1224G	—	—	9.00X21.00 (229X533)
NP1612	NP1612PP	NP1612G	NP1612SS	ALNP1612	13.00X9.00 (330X229)
NP1616	NP1616PP	NP1616G	NP1616SS	ALNP1616	13.00X13.00 (330X330)
NP1620	—	NP1620G	—	—	17.00X13.00 (432X330)
NP2012	—	NP2012G	—	—	17.00X9.00 (432X229)
NP2016	NP2016PP	NP2016G	NP2016SS	ALNP2016	17.00X13.00 (432X330)
NP2024	—	NP2024G	—	—	21.00X17.00 (533X432)
NP2020	NP2020PP	NP2020G	NP2020SS	ALNP2020	17.00X17.00 (432X432)
NP2412	—	NP2412G	—	—	21.00X9.00 (533X229)
NP2416	—	NP2416G	NP2416SS	—	21.00X13.00 (533X330)
NP2420	NP2420PP	NP2420G	NP2420SS	ALNP2420	21.00X17.00 (533X432)
NP2424	NP2424PP	NP2424G	NP2424SS	ALNP2424	21.00X21.00 (533X533)
NP2430	—	NP2430G	—	—	27.00X21.00 (686X533)
NP3016	—	NP3016G	—	—	27.00X13.00 (686X330)
NP3020	—	NP3020G	NP3020SS	—	27.00X17.00 (686X432)
NP3024	NP3024PP	NP3024G	NP3024SS	ALNP3024	27.00X21.00 (686X533)
NP3030	NP3030PP	NP3030G	NP3030SS	—	27.00X27.00 (686X686)
NP3036	—	NP3036G	—	—	33.00X27.00 (838X686)
NP3042	—	NP3042G	—	—	39.00X27.00 (991X686)
NP3624	NP3624PP	NP3624G	NP3624SS	ALNP3624	33.00X21.00 (838X533)
NP3630	NP3630PP	NP3630G	NP3630SS	ALNP3630	33.00X27.00 (838X686)
NP3636	NP3636PP	NP3636G	NP3636SS	—	33.00X33.00 (838X838)
NP3642	—	NP3642G	—	—	39.00X33.00 (991X838)
NP4024	—	NP4024G	—	—	37.00X21.00 (940X533)
NP4224	—	NP4224G	—	—	39.00X21.00 (991X533)
NP4230	—	NP4230G	NP4230SS	—	39.00X27.00 (991X686)
NP4236	—	NP4236G	NP4236SS	—	39.00X33.00 (991X838)
NP4824	—	NP4824G	—	—	45.00X21.00 (1143X533)
NP4830	—	NP4830G	—	—	45.00X27.00 (1143X686)
NP4836	—	NP4836G	NP4836SS	ALNP4836	45.00X33.00 (1143X838)
NP6030	—	NP6030G	—	—	57.00X27.00 (1448X686)
NP6036	—	NP6036G	NP6036SS	ALNP6036	57.00X33.00 (1448X838)
NP7230	—	NP7230G	—	—	69.00X27.00 (1753X686)
NP7236	—	NP7236G	—	—	69.00X33.00 (1753X838)





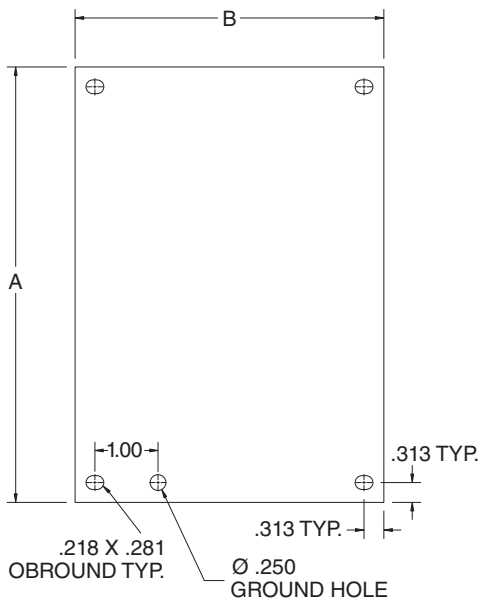
NP1212C

FEATURES-SPECIFICATIONS

Description

- Steel and stainless panels are 12 gauge
- Steel panels are painted white polyester powder
- Optional "G" panels have a conductive finish (no paint)
- Panels fit the following enclosures:
 - N412C
 - N412WC
 - N412CD
 - N412CSTD
 - N412CST
 - N412CSSSTD
 - N412SS3PTC

C SERIES BACK PANELS ACCESSORY PANELS FOR ULTIMATE N412C ENCLOSURES			
PAINTED STEEL (WHITE)	CATALOG NUMBER		PANEL SIZE A X B
	"G"	304 STAINLESS STEEL	
NP1212C	NP1212CG	—	10.2X10.2 (259X259)
NP1612C	NP1612CG	NP1612SSC	14.2X10.2 (361X259)
NP1616C	NP1616CG	NP1616SSC	14.2X14.2 (361X361)
NP2016C	NP2016CG	NP2016SSC	18.2X14.2 (462X361)
NP2416C	NP2416CG	NP2416SSC	22.2X14.2 (564X361)
NP2020C	NP2020CG	NP2020SSC	18.2X18.2 (462X462)
NP2420C	NP2420CG	NP2420SSC	22.2X18.2 (564X462)
NP3020C	NP3020CG	—	28.2X18.2 (716X462)
NP2424C	NP2424CG	NP2424SSC	22.2X22.2 (564X564)
NP3024C	NP3024CG	NP3024SSC	28.2X22.2 (716X564)
NP3624C	NP3624CG	NP3624SSC	34.2X22.2 (869X564)
NP4024C	NP4024CG	—	38.2X22.2 (970X564)
NP4824C	NP4824CG	—	46.2X22.2 (1173X564)
NP2430C	NP2430CG	—	22.2X28.2 (564X716)
NP3030C	NP3030CG	NP3030SSC	28.2X28.2 (716X716)
NP3630C	NP3630CG	NP3630SSC	34.2X28.2 (869X716)
NP3636C	NP3636CG	NP3636SSC	34.2X34.2 (869X869)
NP4236C	NP4236CG	NP4236SSC	40.2X34.2 (1021X869)
NP4836C	NP4836CG	NP4836SSC	46.2X34.2 (1173X869)
NP6036C	NP6036CG	NP6036SSC	58.2X34.2 (1478X869)



N1P SERIES BACK PANELS ACCESSORY PANELS FOR LARGE NIC & RHC ENCLOSURES



N1P1216L



N1P1216L

FEATURES-SPECIFICATIONS

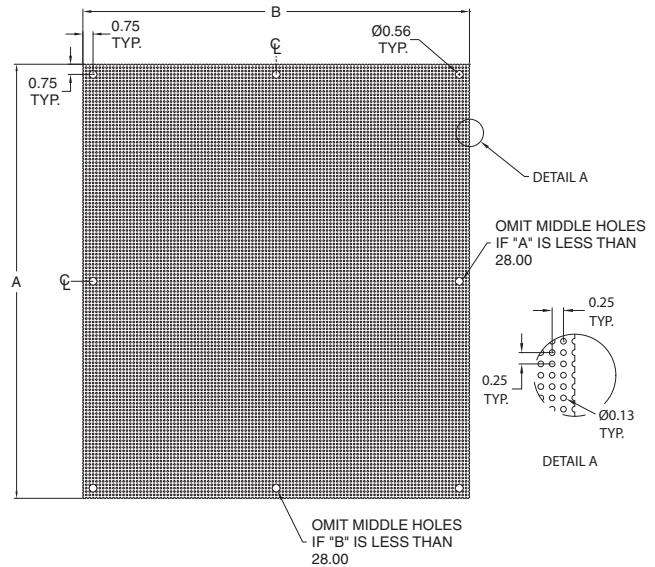
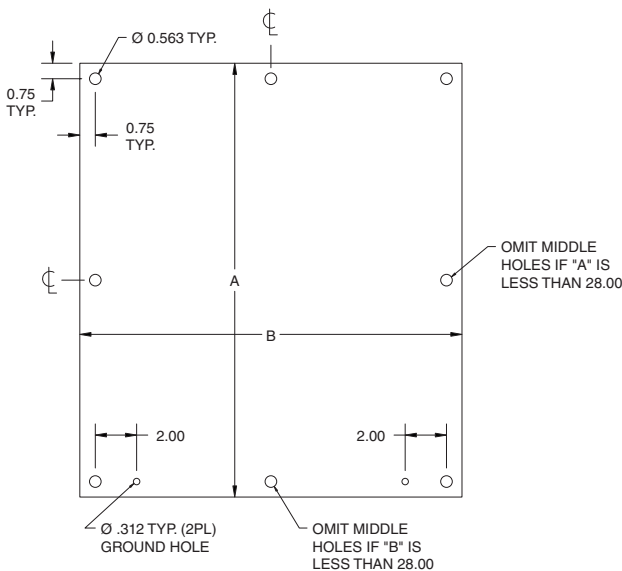
Description

- 14 & 12 gauge (non-perforated)
- White polyester powder
- Panels fit the following enclosures:
 - NEMA 1 Medium (NIC)
- Perforated steel panels are 14 gauge
- Accept self-tapping screws - eliminates the need to measure, mark and drill when mounting components
- Panels are used for mounting light-weight control components

BACK PANELS FOR LARGE NIC & RHC ENCLOSURES

CATALOG NUMBER		GAUGE	PANEL SIZE A X B
PAINTED	PERFORATED		
N1P1216L	N1P1216LPP	14	13.00x10.50 (330x267)
N1P1616	N1P1616PP	14	13.00x14.50 (330x368)
N1P1620	N1P1620PP	14	17.00x14.50 (432x368)
N1P2016	N1P2016PP	14	13.00x18.50 (330x470)
N1P2020	N1P2020PP	14	17.00x18.50 (432x470)
N1P1624	N1P1624PP	14	21.00x14.50 (533x368)
N1P2024	N1P2024PP	14	21.00x18.50 (533x470)
N1P2424	N1P2424PP*	12	21.00x22.50 (533x572)
N1P2030	N1P2030PP*	12	26.00x18.50 (660x470)
N1P2436	N1P2436PP*	12	32.00x22.50 (813x572)
N1P3036	N1P3036PP*	12	32.00x28.50 (813x724)
N1P2420	N1P2420PP	14	17.00x22.50 (432x572)
N1P2430	N1P2430PP*	12	26.00x22.50 (660x572)
N1P3030	N1P3030PP*	12	26.00x28.50 (660x724)
N1P3036	N1P3036PP*	12	32.00x28.50 (813x724)

*Perforated panels are formed on four sides.



**NPDD SERIES BACK PANELS
ACCESSORY PANELS FOR DOUBLE DOOR FLOOR-MOUNT ENCLOSURES**



NPDD4242

FEATURES-SPECIFICATIONS

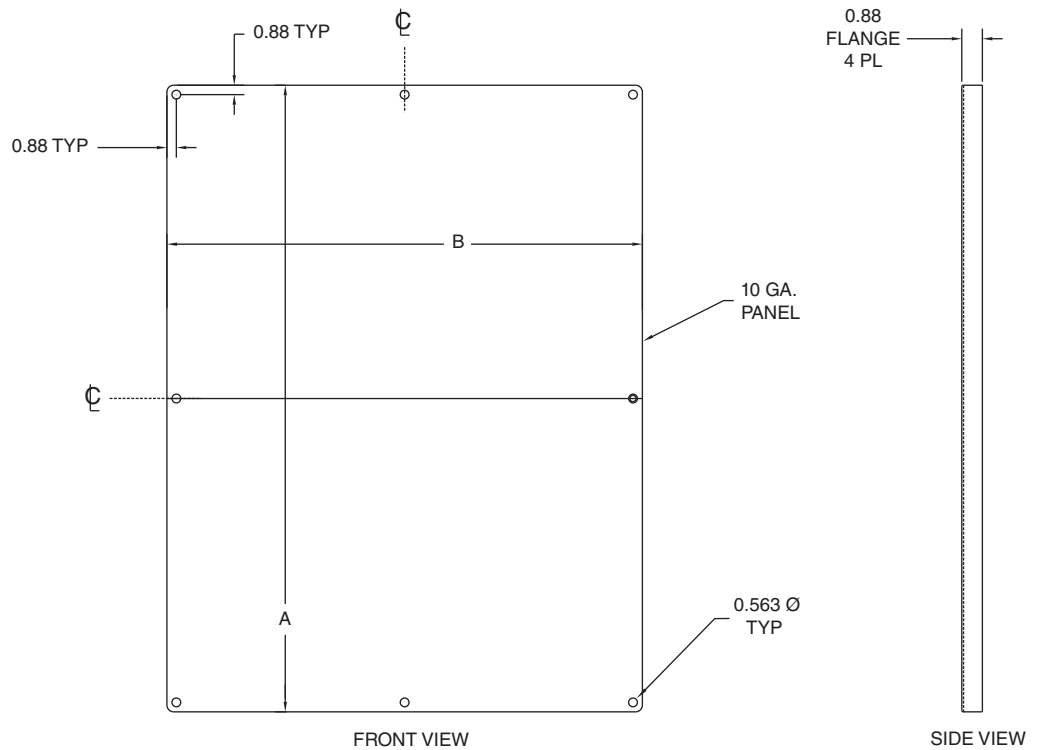
Description

- Steel panels are fabricated from 10 gauge carbon steel
- Panels are painted with a white polyester powder
- Panels are used in NEMA 12 double door floor-mounted enclosures and some 2-door wall-mount enclosures
- Optional "G" panels have a conductive finish (no paint)

Fits:

SSN4D, SSN4D3PT-A
N12 Floor Mount
WAX
WACPX
WAXSSN4
WACPXSSN4
WAWF
SSN4WF3PT

BACK PANELS FOR DOUBLE DOOR FLOOR-MOUNTED ENCLOSURES		
CATALOG NUMBER		PANEL SIZE A X B
PAINTED STEEL (WHITE)	"G"	
NPDD4242	NPDD4242G	39.00x39.00 (991x991)
NPDD4260	NPDD4260G	38.00x56.00 (965x1422)
NPDD4842	NPDD4842G	45.00x39.00 (1143x991)
NPDD4848	NPDD4848G	44.00x44.00 (1118x1118)
NPDD5442	NPDD5442G	50.00x38.00 (1270x965)
NPDD6048	NPDD6048G	44.00x56.00 (1118x1422)
NPDD6060	NPDD6060G	56.00x56.00 (1422x1422)
NPDD7260	NPDD7260G	56.00x68.00 (1422x1727)
NPDD7272	NPDD7272G	68.00x68.00 (1727x1727)



FEATURES-SPECIFICATIONS
Description

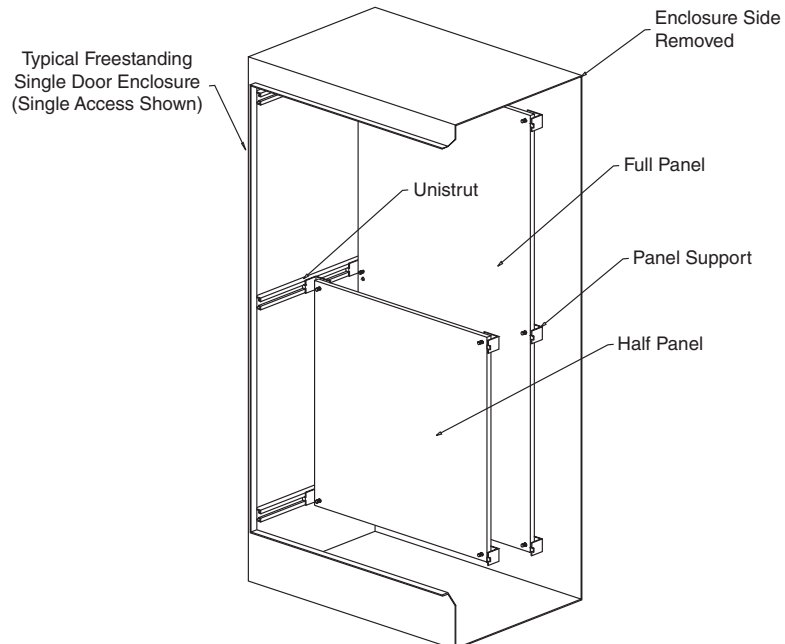
Panels for single-door single-access and single-door dual-access, freestanding NEMA 12, freestanding NEMA 4 and freestanding stainless steel enclosures.

- Panels are 10 or 12 gauge steel and can be positioned anywhere along horizontal depth-wise mounting channels
- Half-length panels can be located in the upper or lower portion of the enclosure
- Mounting hardware is furnished with each panel
- Panels are painted with a white polyester powder
- Panels may be used in two-door enclosures along with other freestanding accessories
- **Optional "G" panels have a conductive finish (no paint)**

REGULAR PANELS ONLY (FULL & HALF) NEMA 12 SINGLE DOOR				
CATALOG NUMBER		STEEL GAUGE	PANEL SIZE A X B	PANEL TYPE
WHITE	"G"			
WA60P24F1	WA60P24F1G	12	48.00x20.00 (1219x508)	Full
WA60P24F2	WA60P24F2G	12	24.88x20.00 (632x508)	Half
WA72P24F1	WA72P24F1G	12	60.00x20.00 (1524x508)	Full
WA72P24F2	WA72P24F2G	12	30.88x20.00 (784x508)	Half
WA90P24F1	WA90P24F1G	12	78.00x20.00 (1981x508)	Full
WA90P24F2	WA90P24F2G	12	39.88x20.00 (1013x508)	Half
WA72P30F1	WA72P30F1G	12	60.00x26.00 (1524x660)	Full
WA72P30F2	WA72P30F2G	12	30.88x26.00 (784x660)	Half
WA60P36F1	WA60P36F1G	12	48.00x32.00 (1219x813)	Full
WA60P36F2	WA60P36F2G	12	24.88x32.00 (632x813)	Half
WA72P36F1	WA72P36F1G	12	60.00x32.00 (1524x813)	Full
WA72P36F2	WA72P36F2G	12	30.88x32.00 (784x813)	Half
WA90P36F1	WA90P36F1G	12	78.00x32.00 (1981x813)	Full
WA90P36F2	WA90P36F2G	12	39.88x32.00 (1013x813)	Half

NOTE: If used in a Two Door Enclosure, a center panel support must be ordered.

NOTE: Suffix F1 = Full Panel, and F2 = Half Panel.



FEATURES-SPECIFICATIONS

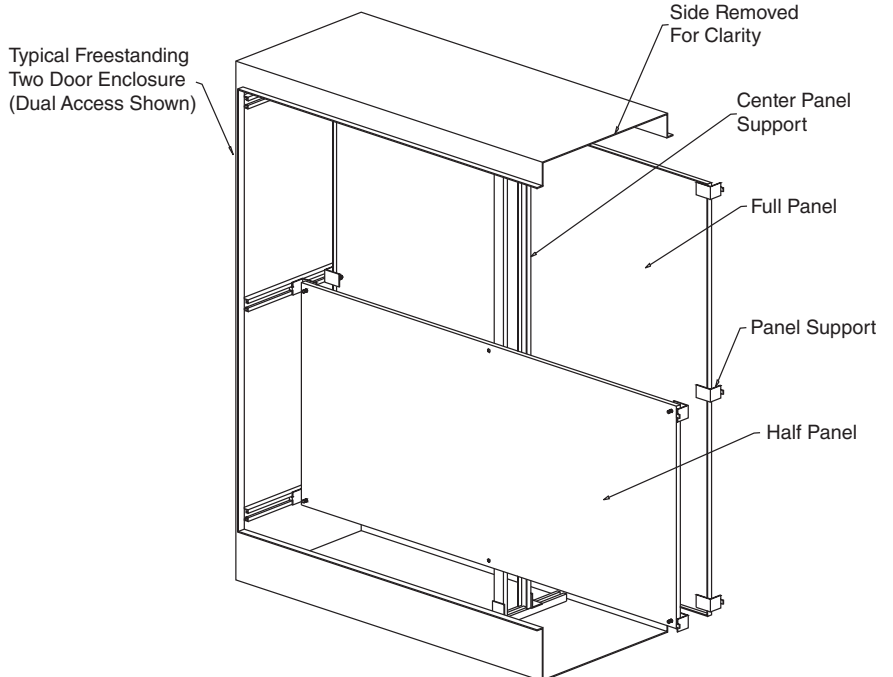
Description

Panels for two-door single-access and two-door dual-access Free-standing NEMA 12 enclosures.

- Panels are 10 gauge steel and can be positioned anywhere along horizontal depth-wise mounting channels
- Half-length panels can be located in the upper or lower portion of the enclosure
- Mounting hardware is furnished with each panel
- Panels are painted with a white polyester powder
- **Optional "G"** panels have a conductive finish (no paint)

BACK PANELS FOR TWO DOOR FREESTANDING ENCLOSURES				
CATALOG NUMBER		STEEL GAUGE	PANEL SIZE A X B	PANEL TYPE
WHITE	"G"			
WA60P48F1	WA60P48F1G	10	48.00x44.00 (1219x1118)	Full
WA60P48F2	WA60P48F2G	10	24.88x44.00 (632x1118)	Half
WA72P48F1	WA72P48F1G	10	60.00x44.00 (1524x1118)	Full
WA72P48F2	WA72P48F2G	10	30.88x44.00 (784x1118)	Half
WA72P60F1	WA72P60F1G	10	60.00x56.00 (1524x1422)	Full
WA72P60F2	WA72P60F2G	10	30.88x56.00 (784x1422)	Half
WA72P72F1	WA72P72F1G	10	60.00x68.00 (1524x1727)	Full
WA72P72F2	WA72P72F2G	10	30.88x68.00 (784x1727)	Half
WA90P48F1	WA90P48F1G	10	78.00x44.00 (1981x1118)	Full
WA90P48F2	WA90P48F2G	10	39.88x44.00 (1013x1118)	Half
WA90P72F1	WA90P72F1G	10	78.00x68.00 (1981x1727)	Full
WA90P72F2	WA90P72F2G	10	39.88x68.00 (1013x1727)	Half

NOTE: Center Panel support is supplied with a regular Two Door Enclosure Panel. This support is used only as a brace. It is not intended to be used as a support for Single Door Panels, relay racks, etc.
NOTE: Suffix F1 = Full Panel, and F2 = Half Panel.



FEATURES-SPECIFICATIONS
Description

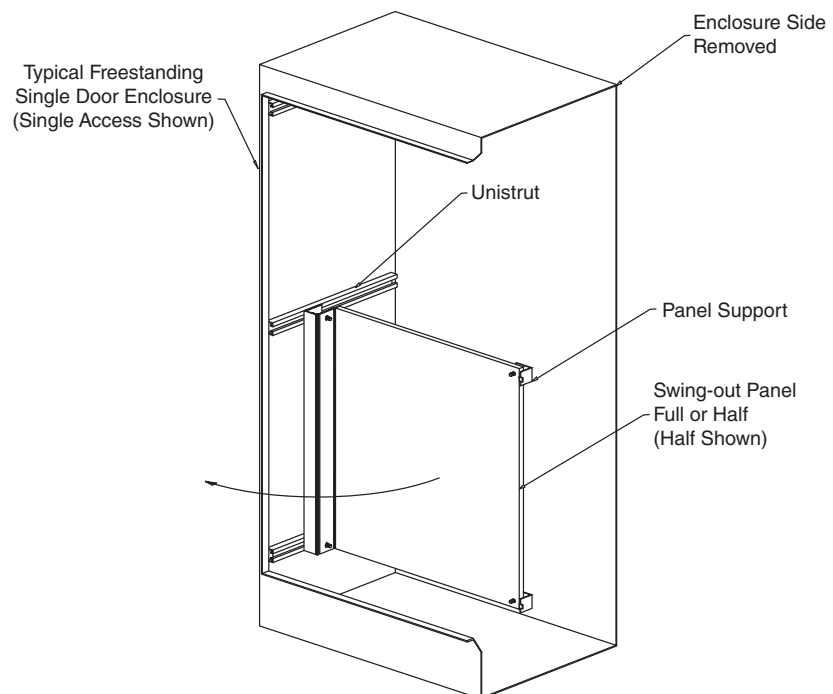
Panels for Free Standing NEMA 12 Enclosures and Free Standing NEMA 4 Enclosures.

- Full-length and half-length swing-out panels are available
- Half-length panels can be located in the upper or lower portion of the enclosures
- Mounting can be on either side of the enclosure
- Mounting hardware is furnished with each panel
- Panels are fabricated from 12 gauge steel
- Panels may be used in two-door enclosures along with other free-standing accessories
- Panels are painted with a white polyester powder
- **Optional "G"** panels have a conductive finish (no paint)

SWING OUT PANELS ONLY (FULL & HALF) NEMA 12 SINGLE DOOR				
CATALOG NUMBER		STEEL GAUGE	PANEL SIZE A X B	PANEL TYPE
WHITE	"G"			
WA60SP24F3	WA60SP24F3G	12	48.00x19.00 (1219x483)	Full
WA60SP24F4	WA60SP24F4G	12	24.88x19.00 (632x483)	Half
WA72SP24F3	WA72SP24F3G	12	60.00x19.00 (1524x483)	Full
WA72SP24F4	WA72SP24F4G	12	30.88x19.00 (784x483)	Half
WA72SP30F3	WA72SP30F3G	12	60.00x25.00 (1524x635)	Full
WA72SP30F4	WA72SP30F4G	12	30.88x25.00 (784x635)	Half
WA60SP36F3	WA60SP36F3G	12	48.00x31.00 (1219x787)	Full
WA60SP36F4	WA60SP36F4G	12	24.88x31.00 (632x787)	Half
WA72SP36F3	WA72SP36F3G	12	60.00x31.00 (1524x787)	Full
WA72SP36F4	WA72SP36F4G	12	30.88x31.00 (784x787)	Half
WA90SP36F3	WA90SP36F3G	12	78.00x31.00 (1981x787)	Full
WA90SP36F4	WA90SP36F4G	12	39.88x31.00 (1013x787)	Half

NOTE: If used in a Two Door Enclosure, a center panel support must be ordered.

NOTE: Suffix F3 = Full Panel, and F4 = Half Panel.



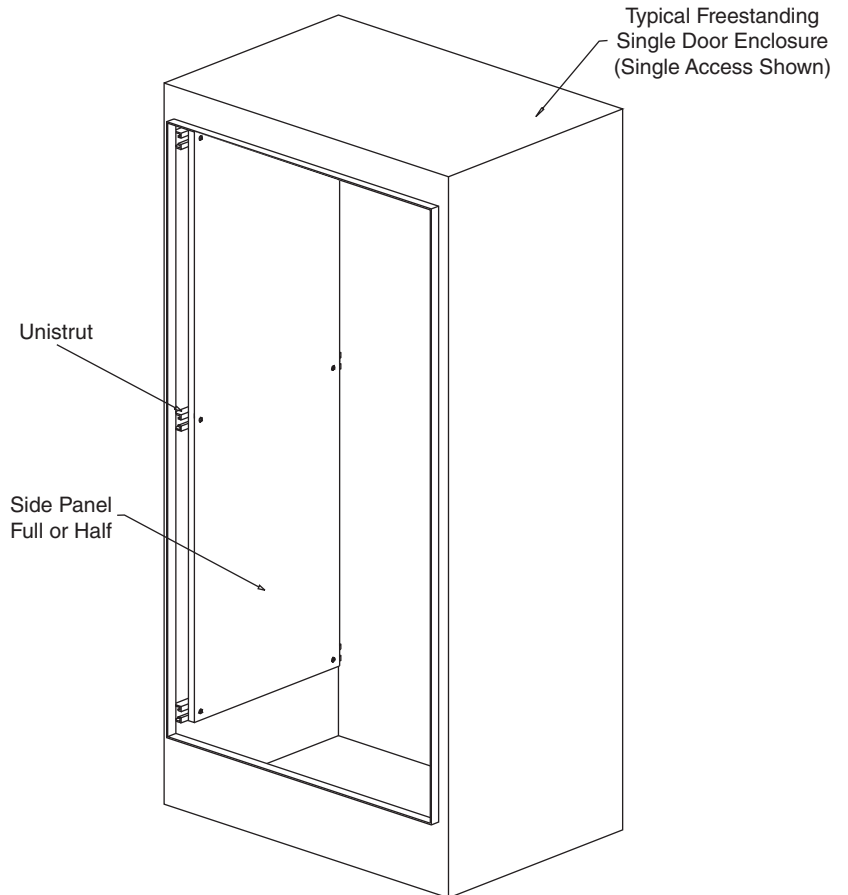
FEATURES-SPECIFICATIONS

Description

Panels for Freestanding NEMA 12 and Freestanding NEMA 4 Enclosures.

- Panels are fabricated from 12 gauge steel
- They provide extra mounting space on the sides of the enclosures
- Panels attach securely to mounting channels
- Panel mounting hardware is included
- Panels are painted with a white polyester powder
- Optional "G" panels have a conductive finish (no paint)

SIDE MOUNT PANELS FOR SINGLE OR DOUBLE DOORS				
CATALOG NUMBER		STEEL GAUGE	PANEL SIZE A X B	BOX DEPTH
WHITE	"G"			
WA60SMP14	WA60SMP14G	12	48.00x14.00 (1219x356)	18"
WA72SMP14	WA72SMP14G	12	60.00x14.00 (1524x356)	18"
WA72SMP20	WA72SMP20G	12	60.00x20.00 (1524x508)	24"
WA90SMP14	WA90SMP14G	12	78.00x14.00 (1981x356)	18"
WA90SMP20	WA90SMP20G	12	78.00x20.00 (1981x508)	24"



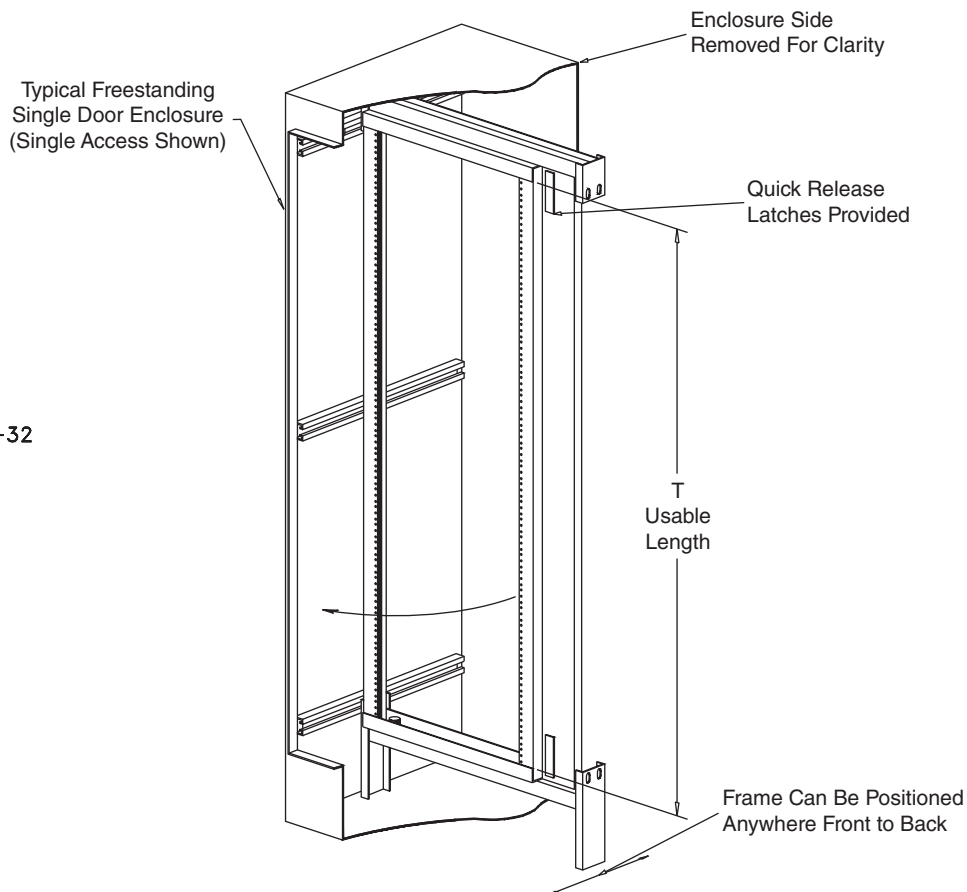
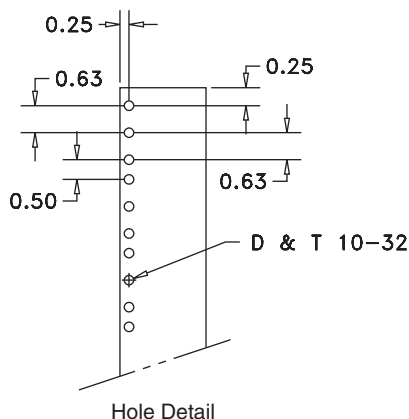
FEATURES-SPECIFICATIONS

Description

- Fabricated from 10 gauge steel, these swing-out rack mounting frames are available for mounting rack mounting equipment. Mounting holes are tapped with #10-32 threads spaced per E.I.A. standard
- Panels are painted with a white polyester powder

SWING-OUT RACKS FOR FREESTANDING ENCLOSURES			
CATALOG NUMBER	FITS ENCLOSURE H X W	RACK SIZE	USABLE ANGLE LENGTH "T"
WA7230SOF19	72.00x30.00 (1829x762)	19.00 (483)	57.88 (1470)
WA7236SOF19	72.00x36.00 (1829x914)	19.00 (483)	57.88 (1470)
WA9036SOF19	90.00x36.00 (2286x914)	19.00 (483)	75.38 (1915)

NOTE: If used in a Two Door Enclosure, a center panel support must be ordered.



FEATURES-SPECIFICATIONS

Type RP

For Free Standing NEMA 12 Enclosures

- Fabricated from 10 gauge steel
- Full-length or half-length rack mounting angles are available for mounting rack-mounted equipment
- If used in Two-Door Enclosures a center panel support must be ordered
- Finish is a white polyester powder

Type RA

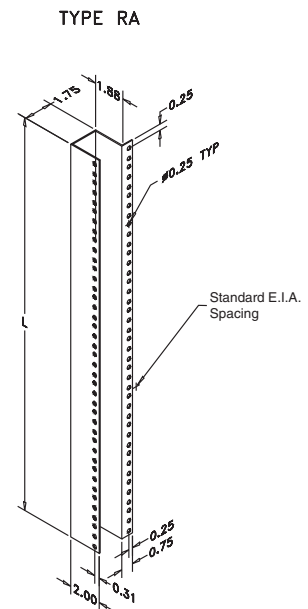
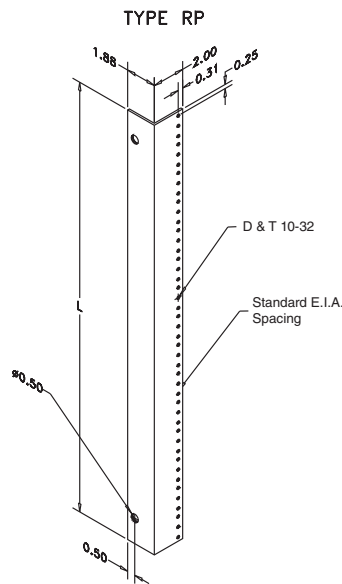
For all Free Standing NEMA 12 and NEMA 4 Enclosures

- Designed for mounting 19 inch and 24 inch rack mounted equipment
- Through holes (7/32 Dia.) are provided and require a W1032N clip nut (must be ordered separately)
- Rack angles are mounted on unistrut within the Free Standing enclosures and are adjustable
- If used in Two-Door Enclosures a center panel support must be ordered
- Finish is a white polyester powder

RELAY RACK ANGLES		
CATALOG NUMBER	STEEL GAUGE	LENGTH "L"
WA60RP24F5	10	49.00 (1245)
WA60RP24F6	10	26.25 (667)
WA72RP24F5	10	61.25 (1556)
WA72RP24F6	10	31.50 (800)
WA72RP30F5	10	61.25 (1556)
WA72RP30F6	10 </td <td>31.50 (800)</td>	31.50 (800)
WA90RP24F5	10	78.75 (2000)
WA90RP24F6	10	40.25 (1022)

WA-RA RELAY RACK ANGLES			
CATALOG NUMBER	FITS ENCLOSURE H X W	RACK SIZE	ANGLE LENGTH "L"
WA60RA19TH	60.00x24.00 (1524x610)	19.00 (483)	49.00 (1245)
WA72RA19TH	72.00x24.00 (1829x610)	19.00 (483)	61.25 (1556)
WA72RA24TH	72.00x30.00 (1829x762)	24.00 (610)	61.25 (1556)
WA90RA19TH	90.00x24.00 (2286x610)	19.00 (483)	78.78 (2001)

NOTE: If used in a Two Door Enclosure, a center panel support must be ordered.



Section J Index

General

JIC & NEMA Swing-out Panel Kits	J2	Terminal Kit Assemblies,	
Print Pocket	J3	Blocks and Strips	J8-J9
Door Stop Kit	J3	Floor Stand Kit	J10
Folding Shelf	J3	Casters	J11
Drip Shields	J4	Panel Supports	J11
Hole Seals	J4	Stabilizers	J11
Window Kits	J5	Adapter Plates	J12
Mounting Feet	J6	Relay Rack Angle Kit.....	J12
Touch-up Paint	J6	Locks • Latches • Clip Nut.....	J13-J16
HOLESQUARE	J6	Clamp Assemblies	J16
Electrical Interlocks	J7	Lighting	J17-J18
Interlock Defeater	J7	Vapor, Desiccant Packets.....	J19
Grounding Kit.....	J7	ULTIMATE Series Accessories	J20-J23

ACCESSORIES





WAJCDFK



WANADFK

FEATURES-SPECIFICATIONS

SWING-OUT PANEL KITS

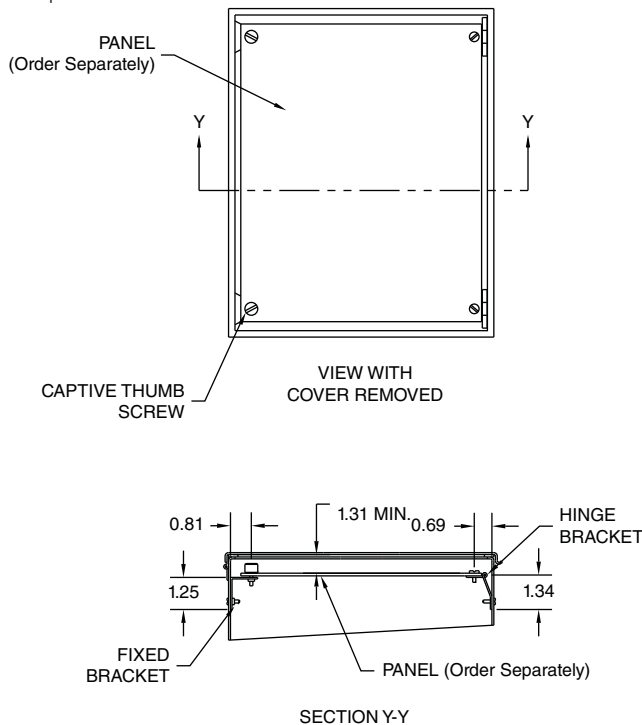
Designed to allow mounting of switches, gauges, pilot lights and other components near the front of the enclosure for easy access or meter reading.

- These kits consist of heavy gauge brackets and hinges which are easily installed by drilling small holes in the sides of the enclosure and bolting the bracket in place
- Sealing washers are also furnished to ensure that the enclosure will meet the original NEMA rating after installation
- These kits are designed for use with standard Wiegmann JIC and NEMA panels

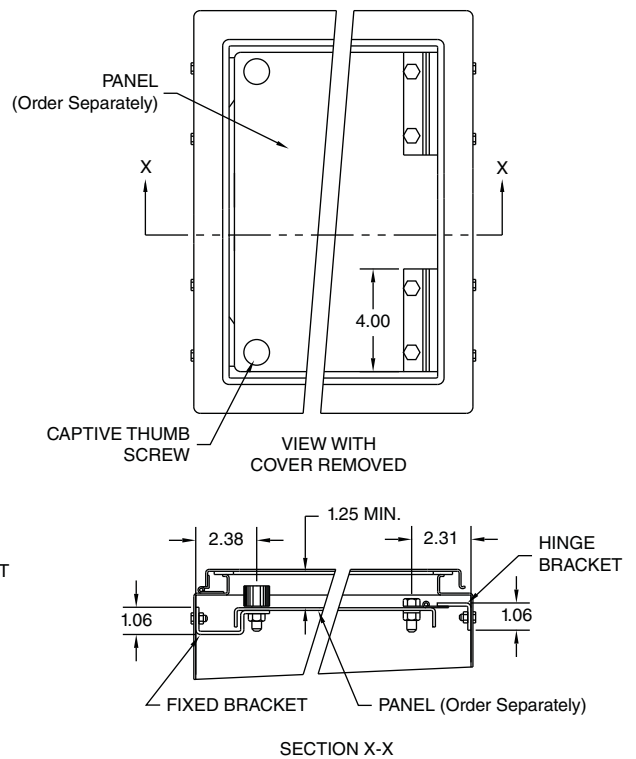
JIC & NEMA SWING OUT PANEL KITS	
CATALOG NUMBER	DESCRIPTION
WAJCDFK	JIC Kit
WANADFK	NEMA Kit

NOTE: Panels must be ordered separately.

JIC Swing-Out Panel Kit



NEMA Swing-Out Panel Kit



GENERAL ENCLOSURE ACCESSORIES
PRINT POCKET • DOOR STOP KIT • FOLDING SHELF



WAPPL0606
Print Pocket



WADSTOPK
Door Stop Kit



WACSHELF12
Folding Shelf

FEATURES-SPECIFICATIONS

PRINT POCKET

- Plastic print pockets can be placed anywhere within enclosure via 2-way adhesive tape flanges
- White in color

PRINT POCKET	
CATALOG NUMBER	DESCRIPTION
WAPPL0606	6x6
WAPPL0810	8x10

DOOR STOP KIT

- Designed for use on most standard Wiegmann Type 4 and 12 enclosures to secure the door in the open position
- Door stop can be mounted at the top or bottom of the door opening after drilling two small holes in the body of the enclosure and two small holes in the door. The angle of the door is easily adjusted and the stop arm slides neatly out of the way when the door is closed
- All parts are plated

DOOR STOP KIT	
CATALOG NUMBER	DESCRIPTION
WADSTOPK	Door stop kit

FOLDING SHELF

- Designed to be used to support and test equipment that is used to install and maintain electrical components in an enclosure
- The shelf can be installed on the inside or outside surface of the Wiegmann enclosures
- When not in use, the shelf folds down and projects only one inch
- All parts are made of heavy gauge steel
- ANSI-61 gray polyester powder paint finish

FOLDING SHELF	
CATALOG NUMBER	DESCRIPTION
WACSHELF12	12.00x12.00 (305x305)
WACSHELF18	18.00x18.00 (457x457)



Drip Shields



Hole Seals

FEATURES-SPECIFICATIONS

DRIP SHIELDS

- Designed to protect door hardware from dripping water and settling dust
- Drip shields attach easily to the enclosure with stainless steel screws, gasket and sealing washers (hardware is furnished)
- Drip shields fit all single door NEMA 12 and NEMA 4 wall mounted enclosures
- Stainless steel door clamps are furnished to replace the standard door clamps
- Steel drip shields have a ANSI 61 gray polyester powder finish over phosphatized surfaces
- Stainless steel drip shields have a grained finish
- 42", 48", 60" and 72" drip shields fit floor mounted double door enclosures. Specify when ordering for double door wall mounted enclosures

HOLE SEALS

Designed to seal extra push-button holes, conduit openings, and knockout openings from dirt, dust, oil and water

Steel:

- Quick wing nut
- Oil resistant gasket
- ANSI 61 gray polyester powder

Stainless Steel:

- Quick wing nut
- Oil resistant gasket
- Grained finish

DRIP SHIELDS			
CATALOG NUMBER		GAUGE	FITS ENCLOSURE WIDTH
STEEL	STAINLESS STEEL		
DK12	SSDK12	14	12.00 (305)
DK16	SSDK16	14	16.00 (406)
DK20	SSDK20	14	20.00 (508)
DK24	SSDK24	14	24.00 (610)
DK30	SSDK30	14	30.00 (762)
DK36	SSDK36	14	36.00 (914)
DK42	—	14	42.00 (1067)
DK48	—	14	48.00 (1219)
DK60	—	14	60.00 (1524)
DK72	—	14	72.00 (1829)

HOLE SEALS			
CATALOG NUMBER		DESCRIPTION	HOLE DIAMETER
STEEL	STAINLESS STEEL		
WASPBG	WASPBGSS	Miniature oil tight pushbutton holes	0.88 (22)
WAS050	WAS050SS	1/2-inch conduit holes	0.88 (22)
WAS075	WAS075SS	3/4-inch conduit holes	1.13 (29)
WASPB	WASPBSS	Standard oil-tight pushbutton holes	1.20 (30)
WAS100	WAS100SS	1-inch conduit holes	1.38 (35)
WAS125	WAS125SS	1 1/4-inch conduit holes	1.63 (41)
WAS150	WAS150SS	1 1/2-inch conduit holes	2.00 (51)
WAS200	WAS200SS	2-inch conduit holes	2.50 (64)
WAS250	—	2 1/2-inch conduit holes	3.00 (76)
WAS300	—	3-inch conduit holes	3.63 (92)
WAS350	—	3 1/2-inch conduit holes	4.00 (102)
WAS400	—	4-inch conduit holes	4.63 (118)



WAPWK0503NF



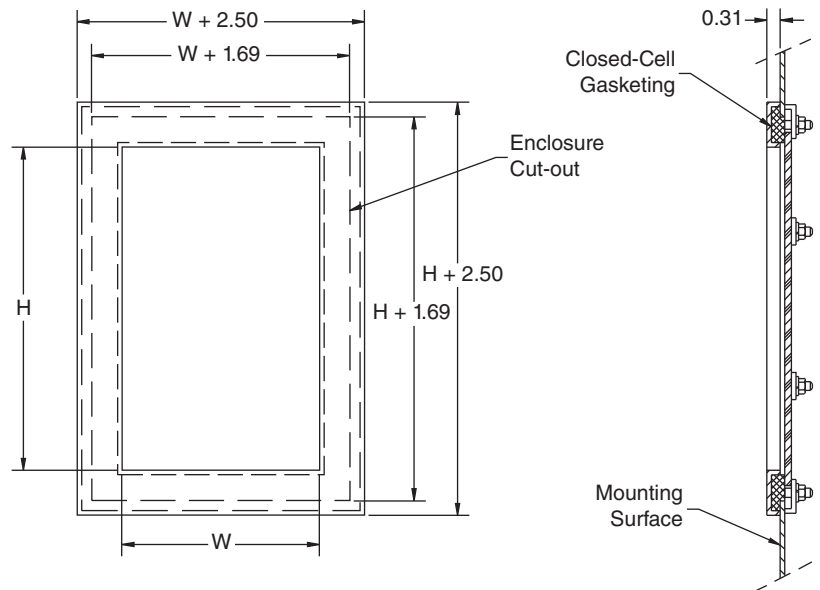
WAPWK0503SS

FEATURES-SPECIFICATIONS

WINDOW KITS

- Steel window kits are designed to be used indoors on NEMA 12 enclosures
- Stainless steel window kits are suitable for NEMA 12 and 13 enclosures in an indoor application. These kits are easily installed by making a cutout in the enclosure and attaching the window and frame in place. All necessary hardware is included
- Kits are fully gasketed to maintain an oil tight seal
- Frames are made from heavy steel with a ANSI 61 gray polyester powder finish over phosphatized surfaces. Type 304 stainless steel with a grained finish

WINDOW KITS				
CATALOG NUMBER		WINDOW H X W	FRAME SIZE	REQUIRED CUT-OUT SIZE
STEEL	STAINLESS STEEL			
WAPWK0503NF	WAPWK0503SS	5.00x3.00 (127x76)	7.50x5.50 (191x140)	6.69x4.69 (170x119)
WAPWK0905NF	WAPWK0905SS	9.00x5.50 (229x140)	11.50x8.00 (292x203)	10.69x7.19 (272x183)
WAPWK1308NF	WAPWK1308SS	13.00x8.00 (330x203)	15.50x10.50 (394x267)	14.69x9.69 (373x170)
WAPWK1705NF	—	17.00x5.50 (432x140)	19.50x8.00 (495x203)	18.69x7.19 (475x183)
WAPWK1711NF	WAPWK1711SS	17.00x11.00 (432x279)	19.50x13.50 (495x343)	18.69x12.69 (475x322)
WAPWK2315NF	WAPWK2315SS	23.00x15.00 (584x381)	25.50x17.50 (648x445)	24.69x16.69 (627x424)
WAPWK2919NF	—	29.00x19.00 (737x483)	31.50x21.50 (800x546)	30.69x20.69 (780x526)
WAPWK3523NF	—	35.00x23.00 (889x584)	37.50x25.50 (953x648)	36.69x24.69 (932x627)





Mounting Feet



WAGSE



WAVE

FEATURES-SPECIFICATIONS

MOUNTING FEET

- Mounting foot kit N412MFK contains four steel external mounting feet
- Mounting foot kit N412MFKSS contains four stainless steel external mounting feet
- Sealing washers are provided with each kit to maintain NEMA 4 or 12 rating after installation
- The N412MFK has a plated finish

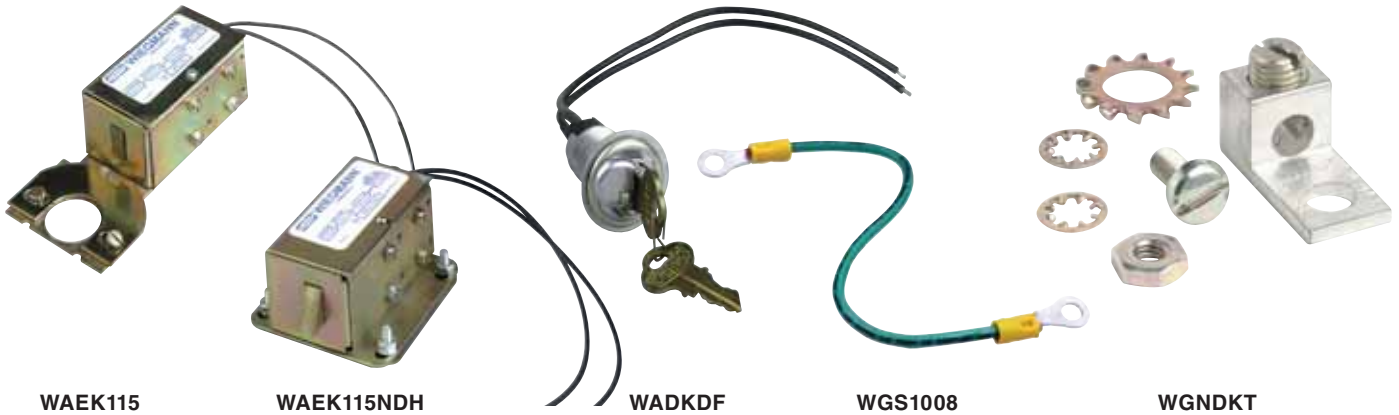
MOUNTING FEET	
CATALOG NUMBER	DESCRIPTION
N412MFK	For N412 steel enclosures
N412MFKSS	For N412 stainless steel enclosures

TOUCH-UP PAINT

- Wiegmann touch-up paint is used to repair existing finishes on enclosures and panels
- Furnished in 12 oz. spray cans

TOUCH-UP PAINT	
CATALOG NUMBER	DESCRIPTION
WAGSE	ANSI 61 gray satin enamel
WAVE	White enamel

GENERAL ENCLOSURE ACCESSORIES
ELECTRICAL INTERLOCKS • INTERLOCK DEFEATER • 3" GROUNDING



WAEK115

WAEK115NDH

WADKDF

WGS1008

WGNDKT

FEATURES-SPECIFICATIONS

ELECTRICAL INTERLOCKS

The WAEK115 is designed to be used with standard Wiegmann door latching mechanisms. When turned on, this interlock will prevent the door handle from being turned to open the door. This interlock is designed to fit handles in the following enclosures:

- All two door NEMA 12 enclosures
- Free standing NEMA 12 enclosures
- All consoles
- All single door NEMA 12 enclosures which have 3 pt handle mechanisms
- Two door NEMA 12 enclosures for flange-mounted disconnects
- Modular NEMA 12 enclosures
- Multi-door NEMA 12 enclosures

The WAEK115NDH is designed to be used with standard Wiegmann enclosures that have no handles. This interlock requires drilling several holes in the cover and the body for mounting.

ELECTRICAL INTERLOCKS		
CATALOG NUMBER	DESCRIPTION	VOLTS/HZ
WAEK115	Electrical interlock	120/60
WAEK115NDH	Electrical interlock	120/60

INTERLOCK DEFEATER

- This defeater is key operated and enables personnel to enter an enclosure while the enclosures internal components are energized. Turning the key disengages the circuit to the electrical interlock

INTERLOCK DEFEATER	
CATALOG NUMBER	DESCRIPTION
WAEKDF	Defeater

GROUNDING KIT

- Field Grounding Kit
- Includes necessary parts to properly ground enclosure

GROUNDING KIT	
CATALOG NUMBER	DESCRIPTION
WGNDKT	Grounding Kit
WGS1008	Grounding Strap 8"
WGS1016	Grounding Strap 16"



WA0808JTMA

FEATURES-SPECIFICATIONS

TERMINAL KIT ASSEMBLIES, BLOCKS AND STRIPS FOR ALL SMALL JIC NEMA 12 AND JIC-NEMA 4 BOXES

- Provides a strong, versatile means for mounting terminal blocks in Wiegmann JIC boxes and other enclosures
- Easily installed bracket assembly accommodates the desired number of terminal straps or block strips
- Bracket assembly consists of two white enamel brackets which mount on weldnuts
- Terminal block strip (ordered separately) is Buchanan Type MD for wire sizes No. 22 through 10, mounted on a single terminal strap. Block strips attach where desired by spring locking nuts. Order brackets, terminal

straps and block strips by part number shown below

How To Order

- Each enclosure requires one bracket assembly plus the desired number of terminal straps. The bracket assembly and the terminal straps must be ordered separately
- To select the correct terminal strap, determine whether the terminal straps will be mounted parallel to the height or width dimension. Specify the number of straps desired, checking usable space for enclosure ordered
- To select the correct bracket assembly, determine whether the bracket will be mounted parallel to height or width dimension of enclosure. Refer to chart and specify correct bracket by catalog number. One bracket is needed for each row of collar studs parallel to the brackets

BRACKET ASSEMBLIES FOR SMALL JIC NEMA 12 AND JIC NEMA 4 ENCLOSURES

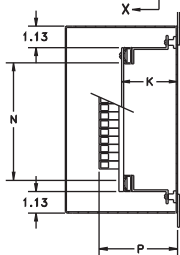
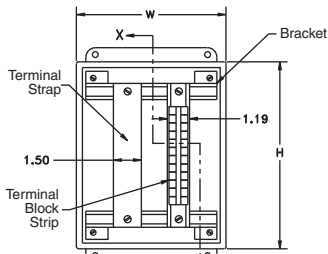
CATALOG NUMBER	DIMENSION PARALLEL TO BRACKETS	K	P	N
WA0806JTMA	6.00 (152)	1.56 (40)	2.75 (70)	2.63 (67)
WA0808JTMA	8.00 (203)	1.56 (40)	2.75 (70)	4.63 (118)
WA1010JTMA	10.00 (254)	2.81 (71)	4.00 (102)	6.53 (166)
WA1212JTMA	12.00 (305)	2.81 (71)	4.00 (102)	8.53 (217)
WA1614JTMA	14.00 (356)	2.81 (71)	4.00 (102)	10.53 (267)

TERMINAL BLOCK STRIP & STRAP

CATALOG NUMBER	DIMENSION PARALLEL TO STRIP	TERMINAL BLOCKS PER STRIP #	USABLE SPACE N
WA08JB	8.00 (203)	8	4.63 (118)
WA10JB	10.00 (254)	12	6.53 (166)
WA12JB	12.00 (305)	16	8.53 (217)
WA14JB	14.00 (356)	20	10.53 (267)
WA16JB	16.00 (406)	24	12.53 (318)

TERMINAL STRAPS

CATALOG NUMBER	ENCLOSURE DIMENSION PARALLEL TO STRAP	USABLE SPACE N
WA0806JS	8.00 (203)	4.63 (118)
WA0808JS	8.00 (203)	4.63 (118)
WA1008JS	10.00 (254)	6.63 (168)
WA1010JS	10.00 (254)	6.63 (168)
WA1210JS	12.00 (305)	8.63 (219)
WA1212JS	12.00 (305)	8.63 (219)
WA1412JS	14.00 (356)	10.63 (270)
WA1614JS	16.00 (406)	12.63 (321)



Terminal Kit Assembly for Small JIC Enclosures (Series B & BN4)

NOTE: Terminal blocks are not included. Be sure to order one bracket assembly plus the desired number of terminal straps for each enclosure.



WA16NTMA2

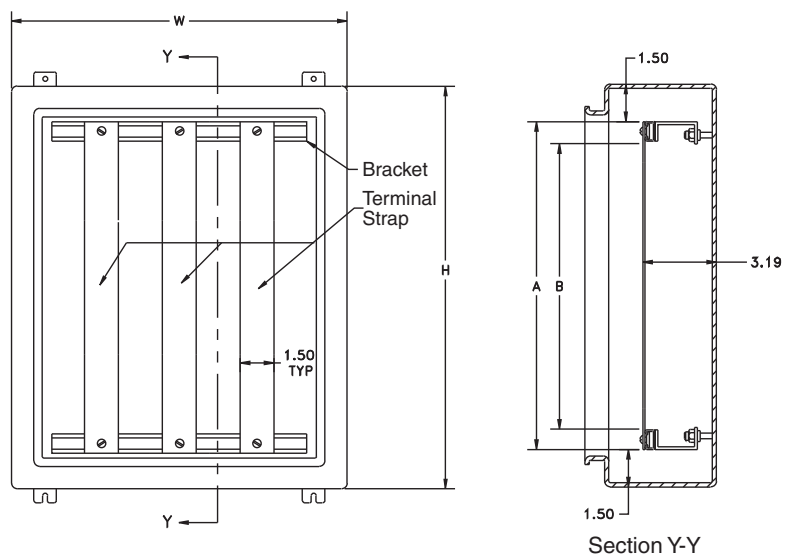
FEATURES-SPECIFICATIONS

TERMINAL KIT ASSEMBLIES AND STRAPS FOR NEMA TYPE 4, 12 AND 13 ENCLOSURES

- Provide strong, versatile and easily-installed terminal block mounting supports
- For use on extra large NEMA Type 1, 4 or 12 and large JIC enclosures
- Each bracket assembly consists of two or three brackets which mount on enclosure collar studs
- Mounting straps can be positioned anywhere along the brackets and are held in place by spring locking nuts, making wiring easy and providing for the addition of more straps at a later date
- Standard finish in white polyester powder
- Brackets may be installed parallel to height or width dimension. Each enclosure requires one bracket assembly and the desired number of terminal straps

BRACKET ASSEMBLIES FOR NEMA 4, 12, AND 13 ENCLOSURES – BRACKET ASSEMBLY			
CATALOG NUMBER	NUMBER OF BRACKETS	BRACKET LENGTH	FOR ENCLOSURE WIDTH
WA12NTMA2	2	9.00 (229)	12.00 (305)
WA16NTMA2	2	13.00 (330)	16.00 (406)
WA20NTMA2	2	17.00 (432)	20.00 (508)
WA24NTMA2	2	21.00 (533)	24.00 (610)
WA24NTMA3	3	21.00 (533)	24.00 (610)

TERMINAL STRAPS				
CATALOG NUMBER	NUMBER OF STRAPS	A	B	FOR ENCLOSURE WIDTH
WA12T	1	9.00 (229)	7.75 (197)	12.00 (305)
WA16T	1	13.00 (330)	11.75 (298)	16.00 (406)
WA20T	1	17.00 (432)	15.38 (391)	20.00 (508)
WA24T	1	21.00 (533)	19.75 (502)	24.00 (610)
WA30T	1	27.00 (686)	25.75 (654)	30.00 (762)
WA36T	1	33.00 (838)	31.75 (806)	36.00 (914)
WA42T	1	39.00 (991)	37.75 (959)	42.00 (1067)
WA48T	1	45.00 (1143)	43.75 (1111)	48.00 (1219)





FK0608



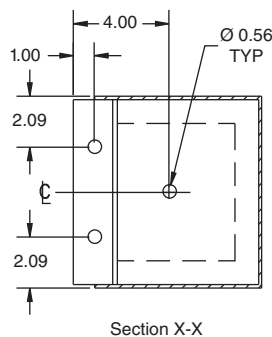
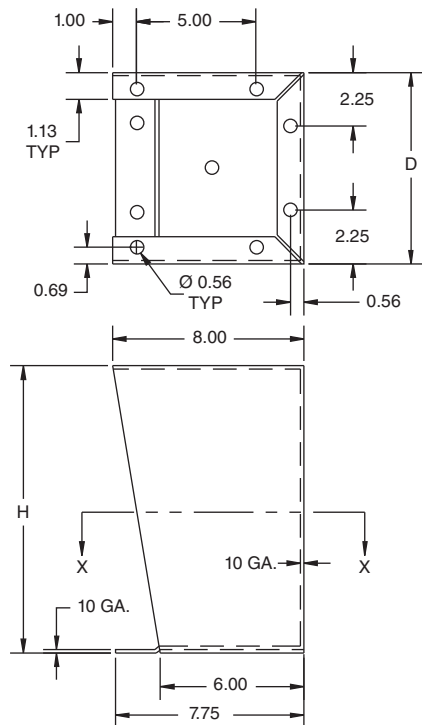
SSFK1216

FEATURES-SPECIFICATIONS

FLOOR STAND KIT

- Kits are easily installed on most wall-mounted Wiegmann enclosures. Kits can also be used to elevate Wiegmann freestanding enclosures. To install, drill holes in bottom of existing enclosure and bolt in place. Each kit includes two stands and mounting bolts and nuts
- Steel stand has a ANSI 61 gray polyester powder finish over phosphatized surfaces
- Stainless steel floor stand is type 304 stainless with a grained finish

FLOOR STAND KIT			
CATALOG NUMBER		FLOOR STAND HEIGHT "H"	ENCLOSURE SIZE "D"
STEEL	STAINLESS STEEL		
FK0608	SSFK0608	6.00 (152)	8.00 (203)
FK0610	SSFK0610	6.00 (152)	10.00 (254)
FK0612	SSFK0612	6.00 (152)	12.00 (305)
FK0618	SSFK0618	6.00 (152)	18.00 (457)
FK0624	SSFK0624	6.00 (152)	24.00 (610)
FK1208	SSFK1208	12.00 (305)	8.00 (203)
FK1210	SSFK1210	12.00 (305)	10.00 (254)
FK1212	SSFK1212	12.00 (305)	12.00 (305)
FK1216	SSFK1216	12.00 (305)	16.00 (406)
FK1218	SSFK1218	12.00 (305)	18.00 (457)
FK1220	SSFK1220	12.00 (305)	20.00 (508)
FK1224	SSFK1224	12.00 (305)	24.00 (610)
FK1808	—	18.00 (457)	8.00 (203)
FK1810	—	18.00 (457)	10.00 (254)
FK1812	—	18.00 (457)	12.00 (305)
FK1816	—	18.00 (457)	16.00 (406)
FK2408	—	24.00 (610)	8.00 (203)
FK2410	SSFK2410	24.00 (610)	10.00 (254)
FK2412	SSFK2412	24.00 (610)	12.00 (305)



**GENERAL ENCLOSURE ACCESSORIES
CASTERS • PANEL SUPPORTS • STABILIZERS**



Casters



Panel Supports



Stabilizers

FEATURES-SPECIFICATIONS

CASTERS

- Casters can be used on any enclosure to provide mobility
- Caster kit includes two swivel casters and two stationary casters along with all necessary mounting hardware

CASTERS	
CATALOG NUMBER	DESCRIPTION
WC10C	Set of 4 casters, 2 mounting plates and hardware
WC12C	Set of 4 casters, 2 mounting plates and hardware

PANEL SUPPORTS

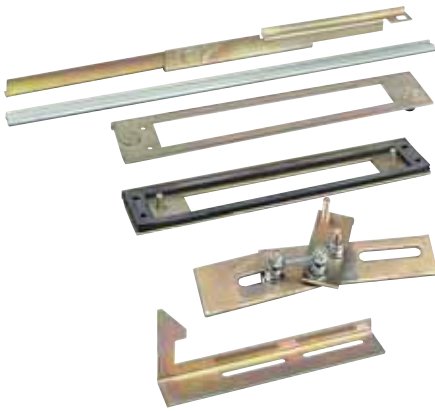
- Provide additional support for panels on which heavy instruments are mounted
- The panel supports are adjustable so the weight of the panel is partially supported by the bottom of the enclosure
- White polyester powder finish

PANEL SUPPORTS	
CATALOG NUMBER	DESCRIPTION
WAPS03	Two panel supports for 1-door and 2-door enclosures where distance from bottom of panel to bottom of enclosure is less than 2-1/4 inches
WAPS09	Two panel supports for free-standing or multi-door enclosures where distance from bottom of panel to bottom of enclosure is between 2-7/8 inches and 8-1/2 inches

STABILIZERS

- Designed to prevent injury to workers by stabilizing floor mounted enclosures which are not bolted down against tipping. Stabilizers slip under the floor stands and are secured by tightening bolts in washers
- ANSI 61 gray polyester finish

STABILIZERS	
CATALOG NUMBER	DESCRIPTION
WAENST	Two stabilizers



WA21ABA



WA22BAP



WARAK24

FEATURES-SPECIFICATIONS

OPERATOR ADAPTER PLATES

- Used on all Wiegmann disconnect enclosures with universal flange cutouts
- An operator adapter plate is required to install a disconnect in all Wiegmann enclosures with a universal cutout on pages F28-F49
- Operator adapters include an adapter plate and additional parts used to interlock the master door with the disconnect operating mechanism. Panel drilling and installation instructions are furnished with each adapter
- Each brand and type of disconnect requires a different operator adapter. It is important to select the proper operator adapter and enclosure for the disconnect that you have selected

OPERATOR ADAPTER PLATES	
CATALOG NUMBER	TYPE OF OPERATOR ADAPTER
WA21ABA	Allen-Bradley 1494F and 1494D
WA21ABVA	Allen-Bradley 1494V, 140U, 1494C, 194RC
WA21CHVA	Eaton Cutler-Hammer C361, C371 and C371 Flex Shaft™
WA21CHVA	ABB Controls Variable Depth, S1, S2, T5 cable size
WA21FUFA	Fuji
WA21GETDA	General Electric STDA
WA21ITE	Siemens ITE Max-Flex™, ABB Controls Cable S3-S5, S6, S7
WA21SDA	Schneider Square D® Class 9422, (variable depth and cable mechanism)
WA21WHA	Eaton Cutler-Hammer/Westinghouse SM

BLANK ADAPTER PLATES

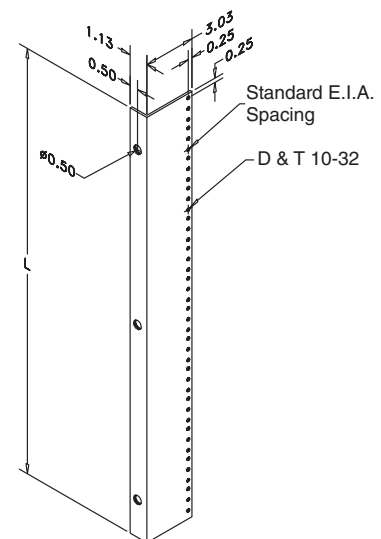
- Used to cover flange cutouts in disconnect enclosures when disconnects are not installed. This greatly increases the versatility of the disconnect enclosures enabling them to also be used as regular Type 12 enclosures
- Wiegmann blank adapter plates are made from heavy gauge steel, with oil-resistant gasket to maintain the dust-tight and oil-tight qualities of the enclosure
- All blank adapter plates are painted ANSI 61 gray polyester powder
- All necessary mounting hardware and instructions are included

BLANK ADAPTER PLATES	
CATALOG NUMBER	TYPE OF OPERATOR ADAPTER
WA21BAP	Blank adapter for universal cutouts on pages F28- F49
WA22BAP	Blank adapter for enclosures on page F24
WA3456BAP	Blank adapter for single door wall-mount enclosures on pages F2-F13

RELAY RACK ANGLE KIT (FOR WALL MOUNTS)

- For NEMA 12, NEMA 4 and NEMA 412 wall mount enclosures. Designed for mounting 19 inch rack mounted equipment in 24 inch wide enclosures. Small holes are pre-tapped at 10-32
- To install, drill holes in side of enclosure and bolt angles in place
- Sealing washers are also provided to maintain original NEMA rating after installation
- Finish is white

RELAY RACK ANGLE KIT		
CATALOG NUMBER	ANGLE LENGTH "L"	DESCRIPTION
WARAK24	23.63 (600)	Two Angles
WARAK30	29.63 (753)	Two Angles
WARAK36	35.63 (905)	Two Angles





FEATURES-SPECIFICATIONS

NEMA 1 TYPE 1/4-LATCH

- Designed for field installation standard NEMA 1 type enclosures
- Requires only a quarter turn to open and close
- Available in both the 1/4-turn latch and 1/4-turn key lock

NEMA 1 TYPE 1/4-LATCH	
CATALOG NUMBER	DESCRIPTION
N1C14T	NEMA 1 1/4-turn latch
N1C14TKL	NEMA 1 1/4-turn key lock

NEMA 412 TAMPER RESISTANT LATCH KITS AND KEYS

- Designed for NEMA 412 Type enclosures
- Latch kits are tamper resistant
- Available in both 1-point and 3-point 1/4-turn kits
- All have black matted finish or chrome (see charts)

NEMA 412 TAMPER PROOF RESISTANT LATCH KITS		
CATALOG NUMBER		DESCRIPTION
1-POINT	3-POINT	
N41214TTRI	N41214TTRI3	Triangular 1/4-turn keyed latch
N41214SQ	N41214SQ3	Square 1/4-turn keyed latch
N41214TVP	N41214TVP3	Double bit vibration proof 1/4-turn keyed latch

NEMA 412 TAMPER PROOF KEYS	
CATALOG NUMBER	DESCRIPTION
N41214TTRIK	Triangular key
N41214SQK	Square key
N41214TVPK	Double bit vibration proof key

STAINLESS STEEL LOCK KIT FOR NEMA 412

- Designed for standard single door Type 412 enclosures
- Requires only a quarter turn to open and close
- Latch is water and dust tight
- Lock is stainless steel
- Can be used with N412 stainless steel enclosures

STAINLESS STEEL LOCK KIT FOR NEMA 412		
CATALOG NUMBER		DESCRIPTION
1-POINT	3-POINT	
N41214TSS	N41214TSS3	Stainless steel 1/4-turn



FEATURES-SPECIFICATIONS

NEMA 412 LOCK KITS

- Designed for NEMA 412 Type enclosures
- Available in both 1-point and 3-point 1/4-turn latches
- All have black matted finish or chrome finish (see charts)

NEMA 412 LOCK KITS		
CATALOG NUMBER		DESCRIPTION
1-POINT	3-POINT	
N41214T	N41214T3	Slotted chrome finish
N41214TB	N41214TB3	Slotted black matted finish
N41214TW	N41214TW3	Wing handle 1/4-turn latch
N41214TWPL**	N41214TWPL3	Padlocking 1/4-turn
N41214TTH	N41214TTH3	1/4-turn black matted tee handle
N41214TTHKL	N41214TTH3KL	1/4-turn black matted tee handle, key locking
N41214TBKL*	—	1/4-turn black key lock/dust cover

*NEMA 12 and 13 rating with dust cover only.

** Padlock hole size is 3/8" diameter.

LOCK KIT FOR NEMA 4 & 12 ENCLOSURES

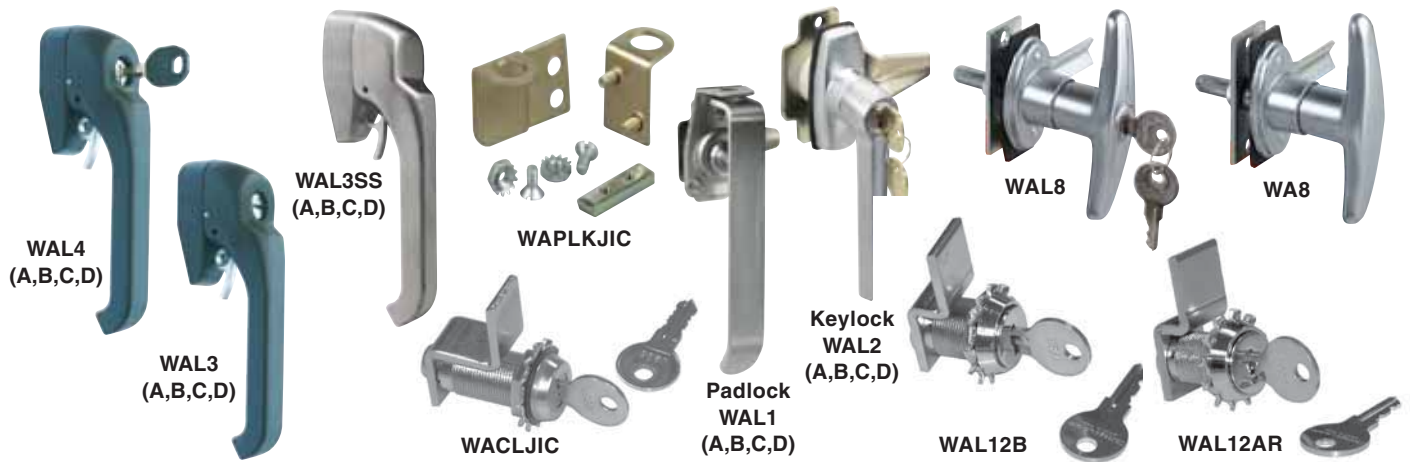
- Designed for field installation in standard single door Type 3R, 4 and 12 enclosures
- Latch is water tight and dust tight
- It is necessary to drill or punch one hole in the cover to receive the latch
- Complete installation instructions are included

LOCK KIT FOR NEMA 4 & 12 ENCLOSURES	
CATALOG NUMBER	DESCRIPTION
WACLSN12	1-point key lock

CLIP NUT PACKAGE

- Plated #10-32 clip nuts will fit all rack mounting angles with 7/32 diameter holes

CLIP NUT PACKAGE	
CATALOG NUMBER	DESCRIPTION
W1032N	Clip nut (package of 20)



FEATURES-SPECIFICATIONS

LOCK KITS FOR JUNCTION BOXES

- Designed for field installation in standard junction boxes. Latch is water tight and dust tight
- It is necessary to drill or punch one hole in the cover to receive the cylinder lock
- Complete installation instructions included
- Designed for field installation in standard single door JIC, BCH, BN4CH enclosures

LOCK KITS FOR JUNCTION BOXES	
CATALOG NUMBER	DESCRIPTION
WACLJIC	1-Point cylinder key lock
WAPLKJIC	Padlock lock kit

WAL3(A-D)SS, 316LSS, N4X PADLOCKING HANDLE	
CATALOG NUMBER	DESCRIPTION
WAL3ASS	1-Point latch kit
WAL3BSS	3-Point latch kit where H = 16", 20", 24" or 30" H
WAL3CSS	3-Point latch kit where H = 36", 42" or 48" H
WAL3DSS	3-Point latch kit where H = 60" or 72" H

LATCH KITS FOR SINGLE DOOR TYPE 12 ENCLOSURES

- Designed for field installation in standard single door Type 3R, 4 and 12 enclosures
- Latch is water tight and dust tight
- It is necessary to drill or punch one hole in the cover to receive the latch
- Complete installation instructions are included

LATCH KITS FOR SINGLE DOOR TYPE 12		
PADLOCK HANDLE	KEYLOCK HANDLE	DESCRIPTION
WAL1A	WAL2A	1-Point latch kit
WAL3A‡	WAL4A*‡	1-Point latch kit
WAL1B	WAL2B	3-Point latch kit where H is 16", 20", 24" or 30"
WAL3B‡	WAL4B*‡	3-Point latch kit where H is 16", 20", 24" or 30"
WAL1C	WAL2C	3-Point latch kit where H is 36", 42", or 48"
WAL3C‡	WAL4C*‡	3-Point latch kit where H is 36", 42", or 48"
WAL1D	WAL2D	3-Point latch kit where H is 60" or 72"
WAL3D‡	WAL4D*‡	3-Point latch kit where H is 60" or 72"

*Combo key/padlocking handle.
‡N4/4X Rated handles.

KEYS FOR LATCH KITS	
CATALOG NUMBER	DESCRIPTION
WAEMKA4	Key for Combo Key/Pad handles
WATVPKKEY	Key for N12TVPK
WASQKKEY	Key for N1214SQ, & N412SQ3
WATTRIKKEY	Key for N412TTRIK
WAL2KEY	Key for WAL2A-WAL2D
WACLSN12KEY	Key for WACLSN12

NEMA 1 TYPE T HANDLE LATCH & CYLINDER LOCK KITS

- The "T" handles are intended to be used on various NEMA 1 cabinets. Not suitable for water tight applications
- The 3 point latch comes with handle, latch, latch rods and all hardware. Handles are chrome plated
- Cylinder locks are designed for field installation in the small NIC and large NIC enclosures. Latch is water and dust tight. It is necessary to drill a hole in door to receive latch
- Latch has chrome plated finish

HANDLE LATCH & CYLINDER LOCK KITS	
CATALOG NUMBER	DESCRIPTION
WAL8	1-Point "T" locking handle
WA8	1-Point "T" non locking handle
WAL12B	1-Point key lock for small N1C enclosures
WAL12AR	3-Point key lock for large N1C enclosures



FEATURES-SPECIFICATIONS

REPLACEMENT CLAMP ASSEMBLIES

- Designed for use as replacement clamps on JIC, NEMA 4, NEMA 12 and N4X enclosures. All necessary parts included

REPLACEMENT CLAMP ASSEMBLIES	
CATALOG NUMBER	DESCRIPTION
WAJICRA	N12 JIC Assembly includes: clamp & screw
WABN4JIC	N4 JIC Assembly includes: clamp & screw (304SS)
WABN4JICA	N4 JIC Assembly includes: clamp & screw (316SS)
WAN12RA	N12 Assembly includes: clamp, screw, spring, washers(2)
WAN4XRA	N4X Assembly includes: clamp, screw, spring, washers (2) (304SS)
WAN4XRAA	N4X Assembly includes: clamp, screw, spring, washers (2) (316SS)

FAST OPERATING JUNCTION BOX

- Provides quick access to enclosure or wireway interiors. Install on standard clamp bracket used on Wiegmann junction boxes, type 12 troughs, and lay-in wireway. Clamps are available in plated steel, or stainless steel

FAST OPERATING JUNCTION BOX	
CATALOG NUMBER	DESCRIPTION
WAL23	Plated steel clamp
WAL23SS	304 stainless steel
WAL23SSA	316 stainless steel

TOGGLE LATCH FOR TYPE 4X FREE STANDING ENCLOSURES

- Provides quick access to NEMA Type 4 and 4X free standing enclosures. The stainless steel toggle latches replace the stainless steel bolts used with conventional door clamps
- Operation of the toggle releases the door clamp so the door can be opened easily without tools
- Pack: 2 toggle latches

TOGGLE LATCH FOR TYPE 4X FREE STANDING	
CATALOG NUMBER	DESCRIPTION
WAFT44XSS	304 stainless steel
WAFT44XSSA	316 stainless steel



WDL026SWLT120



LHPC02
Light Holder



WKL025SWLT120

FEATURES-SPECIFICATIONS

Applications

Used where illumination is needed inside an enclosure. WDL series is available with motion sensor or on/off switch. With optional holder kit, WDL series lights can be "hand held" for spot illumination.

Features

- Motion sensor version detects the motion of the enclosure door being opened and automatically turns light on. The sensor is factory pre-set to turn light off 5 minutes after motion ceases. The motion sensor does not detect movement through glass or fiberglass, thus allowing installation in enclosures with windows or glass doors
- Light color/temperature is bright white
- Holder and lamp housing manufactured from UL94-VO, impact resistant plastic
- Connection: 4 pole terminal, max. AWG 14 for power supply and parallel wiring of 2 lights
- Includes mounting screws

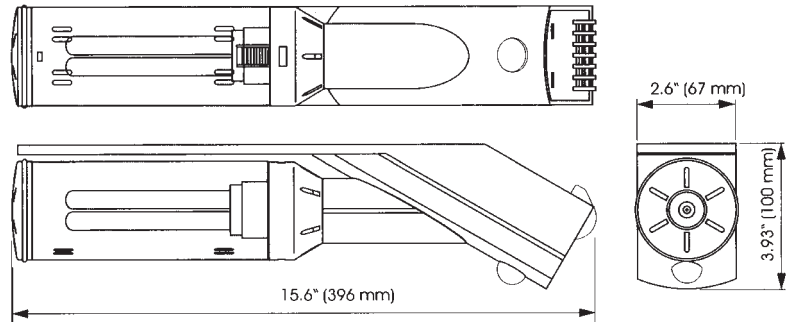
WDL & WKL SERIES LIGHTING						
CATALOG NUMBER	OPERATING VOLTAGE	OUTLET RECEPTACLE	ACTIVATION METHOD	LIGHT INTENSITY (LM)	LAMP CURRENT (HRS)	DIMENSIONS H X W X D
WDL026SWLT120	110-120	No	Switch on housing	1000	10,000	3.93x15.6x2.6 (100x396x67)
WDL026MSLT120	110-120	No	Passive infrared motion sensor	1000	10,000	3.93x15.6x2.6 (100x396x67)
WKL025SWLT120	110-120	Yes	Switch on housing	900	5,000	2.55x14x2.55 (65x355x65)

WDL SERIES MOUNTING ACCESSORIES	
CATALOG NUMBER	DESCRIPTION
WDL026MAG	(2) Magnet mounting plates
WDL026SEAD	Self adhesive mounting plates

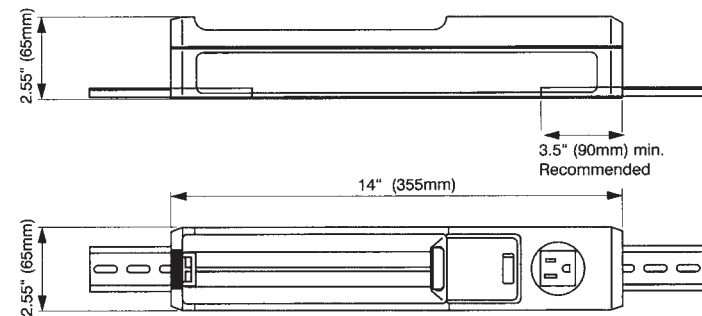
WDL SERIES ACCESSORY	
CATALOG NUMBER	DESCRIPTION
LHPC02	Light holder (self adhesive back to mount) with 10' power cord

REPLACEMENT BULBS WDL & WKL SERIES	
CATALOG NUMBER	DESCRIPTION
666012	770-984 0858 Gray Silk

WDL Series



WKL Series



The light can also be screw mounted by sliding it on two 35mm DIN rails.



WNV6LED



GREEN
LED

RED
LED

AMBER
LED

BLUE
LED

CLEAR
LED

FEATURES-SPECIFICATIONS

LED WORK/TROUBLE LIGHTS

Applications

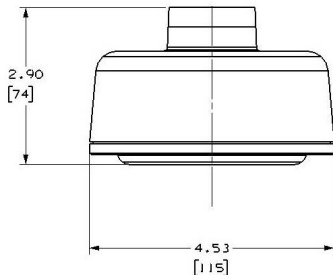
Provides illumination where needed inside an enclosure utilizing LED source with long life (50,000 maintenance-free hours).

Features

- Crisp white light with 6 Watt output of approximately 485 lumens
- Compact in size 3/4" NPT pendant fixture
- Housing of high strength 30% glass-filled thermoset polyester with clear polycarbonate diffuser

WNV SERIES WORK LIGHTS	
CATALOG NUMBER	DESCRIPTION
WNV6LED	6 Watt head only*

*Consult factory for power supply to be mounted elsewhere inside enclosure.



LED SIGNAL LIGHTS

Applications

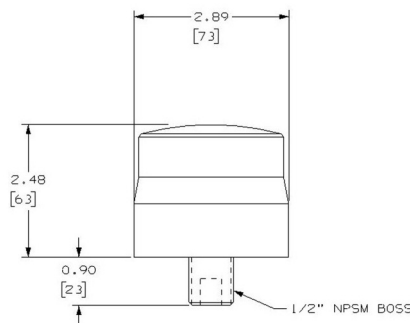
When mounted to the outside of an enclosure, can serve as a warning device or to signal an event or occurrence.

Features

- 50,000 hour expected life; steady-on (ST) or flashing (FL)
- Utilizes inverted cone design to provide full 360 degree coverage for more light projection
- Available in five colors – red, green, amber, blue and clear
- Flash rate is 7 micro flashes approx. every second
- Can be mounted in any orientation, including lens in the UP or SIDE positions
- Includes gasket and locknut, to be user installed
- Maintains N4X seal



TYPICAL
INSTALLATION



WL SERIES SIGNAL LIGHTS	
CATALOG NUMBER	DESCRIPTION
WLF25A	AMB LED FL 120-240VAC
WLF25B	BLUE LED FL 120-240VAC
WLF25C	CLEAR LED FL 120-240VAC
WLF25G	GREEN LED FL 120-240VAC
WLF25R	RED LED FL 120-240VAC
WLF26A	AMB LED FL 12-80VDC (24VAC)
WLF26B	BLUE LED FL 12-80VDC (24VAC)
WLF26C	CLEAR LED FL 12-80VDC (24VAC)
WLF26G	GREEN LED FL 12-80VDC (24VAC)
WLF26R	RED LED FL 12-80VDC (24VAC)
WLS25A	AMB LED ST 120-240VAC
WLS25B	BLUE LED ST 120-240VAC
WLS25C	CLEAR LED ST 120-240VAC
WLS25G	GREEN LED ST 120-240VAC
WLS25R	RED LED ST 120-240VAC
WLS26A	AMB LED ST 12-80VDC (24VAC)
WLS26B	BLUE LED ST 12-80VDC (24VAC)
WLS26C	CLEAR LED ST 12-80VDC (24VAC)
WLS26G	GREEN LED ST 12-80VDC (24VAC)
WLS26R	RED LED ST 12-80VDC (24VAC)

INTENSITY IN CANDELLAS		
COLOR	FLASHING	STEADY
Amber	4.3 / 7.4*	11.3
Red	5.9 / 10.1*	15.4
Green	4.5 / 7.8*	11.8
Blue	2.5 / 4.3*	6.6
Clear	4.8 / 8.2*	12.5

* CD-S/CD-Effective

ELECTRICAL RATINGS MAXIMUM	
120VAC	040mA Flash
240VAC	020mA Flash
12VDC	400mA
80VDC	60mA
24VAC	198mA Flash



FEATURES-SPECIFICATIONS

VAPOR CAPSULES

Applications

Hubbell Wiegmann corrosion inhibiting (VCI) Vapor Capsules contain proprietary chemical systems which emit an invisible, odorless, nontoxic vapor which is diffused throughout an enclosure. By placing these self-contained capsules inside an enclosure, the vapors permeate to every available surface. The condensed VCI molecules passivate iron, steel, copper, brass, and aluminum.

Features

- “Peel and stick” adhesive allows application anywhere within enclosure interior
- All capsules include blank date installed field to monitor life span
- Estimated life span for all capsules is one year
- Recommended shelf life under normal conditions is one year. Hubbell Wiegmann corrosion inhibitor products are not returnable. Corrosion inhibitors should be store at temperatures not exceeding 120°F (45°C)

Positioning of Capsule

It is important to note that the volume protected against corrosion is decidedly different with the placement of vapor capsule. For optimal protection, capsule should be placed as close to center of enclosure as possible. Side mounting (such as to door of enclosure) is often the most practical and still offers, in most cases, excellent coverage.

WVC VAPOR CAPSULES			
CATALOG NUMBER	ENCLOSURE VOLUME PROTECTION (CU.FT.)	PACKAGE QUANTITY*	DIMENSIONS H X W X D
WVC1-1	4.2	50	0.75x2.13x1.00 (19x54x25)
WVC2-1	33.9	25	0.88x2.13x1.25 (22x54x32)
WVC6-1	905	4	2.00x8.00x4.00 (51x203x102)

*Sold in package quantity only

DESICCANT PACKETS

Applications

Hubbell Wiegmann industrial desiccant packets absorb airborne moisture within electrical and electronic enclosures therefore eliminating the possibility of internal component and enclosure corrosion.

Features

- Individual packets used in enclosures ranging from 1 cubic feet or less up to 20 cubic feet in volume
- Can use combination of different packet sizes to protect enclosures over 20 cubic feet in volume
- Desiccant packets are non-toxic and safe for human contact
- Each packet capable of absorbing over 500 x's its own weight in water
- Outperforms traditional silica gels, calcium sulfates, and activated clay products
- To extend shelf life, each packet is individually wrapped in foil
- Recommended shelf life under normal conditions is one year. Hubbell Wiegmann corrosion inhibitor products are not returnable. Corrosion inhibitors should be store at temperatures not exceeding 120°F (45°C)

NOTE: All conduit openings should be sealed with a high quality putty, duct seal, or encapsulant in order for desiccant packets to be 100% effective.

WVC VAPOR CAPSULES			
CATALOG NUMBER	ENCLOSURE VOLUME PROTECTION (CU.FT.)	PACKAGE QUANTITY*	DIMENSIONS H X W X D
WWG11-1	1 and less	25	1.00x1.00x.13 (25x25x3)
WWG12-1	1 to 2	25	1.00x2.00x.13 (25x51x3)
WWG13-1	2 to 3	25	1.00x3.00x.13 (25x76x3)
WWG22-1	2 to 3	25	2.00x2.00x.13 (51x51x3)
WWG25-2	3 to 4	10	2.00x5.00x.13 (51x127x3)
WWG33-1	4 to 5	10	3.00x3.00x.13 (76x76x3)
WWG37-3	5 to 10	10	3.00x7.00x.13 (76x178x3)
WWG77-6	10 to 20	10	7.00x7.00x.13 (178x178x3)



FEATURES-SPECIFICATIONS

SWING OUT PANEL

Swing panels are designed to mount internal equipment directly behind the main enclosure door. Maximum swing is 107 degrees. Convenient access to sub enclosure is provided via 1/4 turn pull-tab. On solid doors, the clearance from the swing panel face to the interior door face is 1-1/4", and 1" on window doors (when the door is closed). The kit includes the swing panel, brackets and hardware necessary for a tub flange install. Swing out panels meet Type 1 with enclosure door open.

Finish: White Polyester Powder.

Note: Swing out panel can also be mounted on front-to-back adjustable depth mounting kits, or rear panel studs (adjustable mounting kits must be purchased separately).

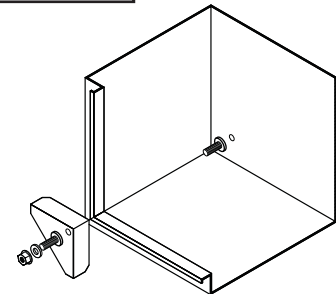
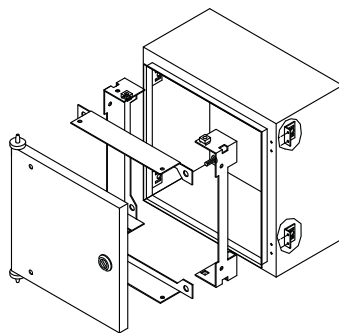
PANEL CONVERSION KIT

These kits allow you to utilize standard NEMA "NP" (non Ultimate panels) within Ultimate enclosures. Simply bolt the conversion brackets over the top of existing studs, then install the Ultimate sub panel. Kit includes four adapter plates and hardware for mounting Ultimate sub panels.

Finish: White Polyester Powder.

PANEL CONVERSION KIT	
CATALOG NUMBER	FOR ENCLOSURE SIZE
HFWCNP4C	Anything 30H X 30W or less

SWING OUT PANEL	
CATALOG NUMBER	FOR ENCLOSURE SIZE
HFWNSP1212C	12 X 12 (H X W)
HFWNSP1612C	16 X 12 (H X W)
HFWNSP1616C	16 X 16 (H X W)
HFWNSP2016C	20 X 16 (H X W)
HFWNSP2416C	24 X 16 (H X W)
HFWNSP1620C	16 X 20 (H X W)
HFWNSP2020C	20 X 20 (H X W)
HFWNSP2420C	24 X 20 (H X W)
HFWNSP3020C	30 X 20 (H X W)
HFWNSP2024C	20 X 24 (H X W)
HFWNSP2424C	24 X 24 (H X W)
HFWNSP3024C	30 X 24 (H X W)
HFWNSP3624C	36 X 24 (H X W)
HFWNSP3030C	30 X 30 (H X W)
HFWNSP3630C	36 X 30 (H X W)
HFWNSP3636C	36 X 36 (H X W)



****Time Saver Note:** Tired of all the extensive labor when removing the competitions' swing panel to adjust the multi-depth brackets, then re-installing the swing panel? How many times have you had to adjust because of different depth instruments? Wiegmann has solved the problem! Simply use the hole access area on the swing panel, loosen the screws and adjust your swing panel. Once the correct dimension is reached, simply tighten the screw and your ready to go!



FEATURES-SPECIFICATIONS

ADJUSTABLE DEPTH MOUNTING KIT

Adjustable depth mounting kits allow customers to slide various accessories from front to back. They fit all Wiegmann Ultimate Series depths.

If an adjustable depth is required, then these kits must be purchased when using the following: swing out panels, DIN rails, rack angles, mounting channels and grid straps.

Kit includes slide mechanisms and hardware to mount. Use two kits when enclosure has 6 collar studs for mounting panel.

Finish: White Polyester Powder

Note: Dead front panel CANNOT be mounted on adjustable mounting kit.

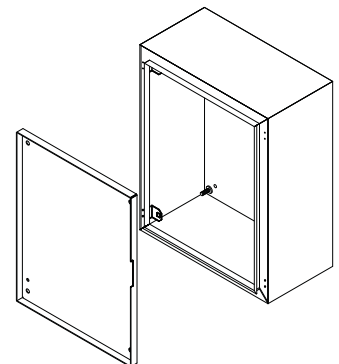
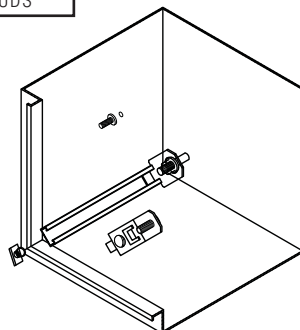
DEAD FRONT KIT

Looking for a fixed sub mounting surface but need it installed directly behind the door, then this is the kit for you. The clearance from the Dead panel face to the interior door face is 1-5/16" on solid doors, and 1-1/16" on window doors. Dead Front Kits are secured via four pan head screws. Kit includes mounting brackets, grounding hardware, and a carbon steel panel finished with white Polyester Powder paint. Dead Fronts meet Type 1 with enclosure door open.

Note: Dead Front kits CANNOT be mounted on adjustable mounting kits.

ADJUSTABLE DEPTH MOUNTING KIT	
CATALOG NUMBER	FOR ENCLOSURE SIZE
HFWADM64C	6" depth or less W/4 collar studs
HFWADM84C	8" depth or less W/4 COLLAR STUDS
HFWADM82C	8" depth or less W/2 ADDITIONAL STUDS
HFWADM104C	10" depth or less W/4 COLLAR STUDS
HFWADM102C	10" depth or less W/2 ADDITIONAL STUDS
HFWADM124C	12" depth or less W/4 COLLAR STUDS
HFWADM122C	12" depth or less W/2 ADDITIONAL STUDS

DEAD FRONT KIT	
CATALOG NUMBER	FOR ENCLOSURE SIZE
HFWDF1212C	12 X 12 (H X W)
HFWDF1612C	16 X 12 (H X W)
HFWDF2016C	20 X 16 (H X W)
HFWDF2020C	20 X 20 (H X W)
HFWDF2420C	24 X 20 (H X W)
HFWDF2424C	24 X 24 (H X W)
HFWDF3024C	30 X 24 (H X W)





MOUNTING CHANNEL



GRID STRAPS



RACK MOUNTING ANGLES



DIN RAIL KIT

FEATURES-SPECIFICATIONS

MOUNTING CHANNEL

Mounting Channels can be used when installing Din rails, grid straps, and rack mounting angles. Channels can be mounted both vertically or horizontally to collar studs, or they may be mounted to Adjustable Depth Mounting Kits. Each kit includes two channels.

Finish: White Polyester Powder.

MOUNTING CHANNELS	
CATALOG NUMBER	FOR ENCLOSURE SIZE
HFWMC12C	WHEN H OR W = 12"
HFWMC16C	WHEN H OR W = 16"
HFWMC20C	WHEN H OR W = 20"
HFWMC24C	WHEN H OR W = 24"
HFWMC30C	WHEN H OR W = 30"
HFWMC36C	WHEN H OR W = 36"
HFWMC42C	WHEN H OR W = 42"
HFWMC48C	WHEN H OR W = 48"
HFWMC60C	WHEN H OR W = 60"

RACK MOUNTING ANGLES

Rack mounting angles allow the installation of 19" rack equipment in 24" wide enclosures. "L" shaped thru-hole angles may be fixed to the enclosure flange, or used in combination with the Adjustable Depth Mounting Kits. Thru-hole diameters are .281". Brackets are fabricated from 14 ga. galvanized steel (non painted). Mounting hardware and two angles are provided.

Note: W1032N clip nuts must be purchased separately.

RACK MOUNTING ANGLES	
CATALOG NUMBER	FOR ENCLOSURE SIZE
HFWRA20C	20"H
HFWRA24C	24"H
HFWRA30C	30"H
HFWRA36C	36"H
HFWRA48C	48"H

GRID STRAPS

Grid Straps are used when a flexible means of installing components are required. Straps are available in single or three hole widths. Straps can be mounted both vertically or horizontally to collar studs, or they may be mounted to Adjustable Depth Mounting Kits. Two straps and mounting hardware are included within kit (fasteners must be ordered separate).

GRID STRAPS		
CATALOG NUMBER	DESCRIPTION	FOR ENCLOSURE SIZE
HFWGS12C	Grid Straps - 1 Hole Wide	When H or W = 12"
HFWGS16C	Grid Straps - 1 Hole Wide	When H or W = 16"
HFWGS20C	Grid Straps - 1 Hole Wide	When H or W = 20"
HFWGS24C	Grid Straps - 1 Hole Wide	When H or W = 24"
HFWGS30C	Grid Straps - 1 Hole Wide	When H or W = 30"
HFWGS36C	Grid Straps - 3 Hole Wide	When H or W = 36"
HFWGS42C	Grid Straps - 3 Hole Wide	When H or W = 42"
HFWGS48C	Grid Straps - 3 Hole Wide	When H or W = 48"
HFWGS60C	Grid Straps - 3 Hole Wide	When H or W = 60"

Note: Order separate grid fastener package catalog number HFWGSHC, consisting of 20 clip nuts and 20 1/4-20 pan head screws for mounting equipment to grid straps.

DIN RAIL KIT

DIN rails supply mounting surfaces for DIN mount snap-on devices. Rails can be mounted both vertically or horizontally to collar studs, or they may be mounted to Adjustable Depth Mounting Kits. Kit includes three rails and mounting hardware.

Finish: plated.

DIN RAIL KIT	
CATALOG NUMBER	FOR ENCLOSURE SIZE
HFWDR12C	When H or W = 12"
HFWDR16C	When H or W = 16"
HFWDR20C	When H or W = 20"
HFWDR24C	When H or W = 24"

Section K Index

General Information/Sizing	K2-K3	4000 BTU "NP36" Series, Side Mount, N12	K15	Compact Top Mount Series, "NEMA TYPE 12" Air Conditioners	
MTAB Assembly	K4	6000 BTU "NP36" Series, Side Mount, N12	K15	4000 BTU "Top Mount Series", N12...	K21
Advantage Series "NEMA Type 3R" Air Conditioners		7000 BTU "NP47" Series, Side Mount, N12	K16	Vortex Coolers	K22
2000 BTU "RP17" Series, Side Mount, N3R	K6	10000 BTU "NP47" Series, Side Mount, N12	K16	WPFB/WPFBE Series Filtered Box Fans & Grilles	K24/25
3000 BTU "RP28" Series, Side Mount, N3R	K7	13000 BTU "NP47" Series, Side Mount, N12	K16	WAAXFN/WAGARD Series Muffin Fans & Finger Guards	K26
4000 BTU "RP33" Series, Side Mount, N3R	K8	Micro-Mini Series "NEMA Type 12" Air Conditioners		WAVK/WAFLT Series Louver Plate & Filter Kits	K27
6000 BTU "RP36" Series, Side Mount, N3R	K9	1000 BTU Micro Series, Side Mount, N12	K17	EHG Series Radiant Heaters	K29
8000 BTU "RP47" Series, Side Mount, N3R	K10	Integrity Series "NEMA Type 4X" Air Conditioners		WHVL Series Fan Heaters	K30
12000 BTU "RP47" Series, Side Mount, N3R	K10	4000 BTU "32 Series", Side Mount, N4X	K19	WCR Series Fan Heaters	K31
TrimLine Series "NEMA Type 12" Air Conditioners		7000 BTU "38 Series", Side Mount, N4X	K20	EGL Series Fan Heaters	K32
2000 BTU "NP17" Series, Side Mount, N12	K12	10000 BTU "47 Series", Side Mount, N4X	K20	ETR/ETF/ZR Series Thermostats	K33/34
4000 BTU "NP28" Series, Side Mount, N12	K13			WAFMP Series Fan Mounting Plate	K36
4000 BTU "NP33" Series, Side Mount, N12	K14			1800 Filtered Fan Series Filter Fan/Exhaust Filter/Mats	K37/38
				WPF Series Filterfans™	K39/40
				WPFA Series Exhaust Grille & Filter	K41
				WPFM/WPFG Series Gaskets, Mats & Grilles	K42

ENVIRONMENTAL CONTROL



Wiegmann has always recognized that our customers in the electrical and electronic marketplace need reliable, high quality enclosures and environmental control products to meet their protection requirements. Protection Requirements today not only mandate NEMA TYPE 12, 3R, 4, & 4X, but also require a broad mix of BTU & size selections. Wiegmann is proud to offer those choices via a whole new line of A/C products. They are: Advantage Series, Trim Line Series, Micro-Mini Series, Integrity Series, and the Top Mount Series.

Three Basic Cooling Methods

When selecting a cooling method there are three types to consider.

1 *Passive Ventilation* — If there is only a minimal heat gain in your

circumstance, use of louvers or grilles with filters can be effective. This method, however, usually provides less cooling effect than is necessary with today's components.

2 *Forced Convection Air Cooling* — If the installation will be in a clean, non-hazardous environment with an acceptable ambient (outside the enclosure) temperature range, a simple forced-air cooling system utilizing outside air is usually adequate. Combined with an air filter, such devices generally meet the heat removal needs of typical electronic equipment and many electrical applications (Fig. 1). Examples of forced convection air cooling are filtered fans, fan trays, and blowers of various types.

3 *Closed-Loop Cooling* — In harsh environments involving high temperatures, wash-down requirements, heavy particulate matter or the presence of chemicals capable of damaging components (NEMA 4 or 12 environments), ambient air must be kept out of the enclosure. Closed-loop cooling consists of two separate circulation systems. One system, sealed against the ambient air, cools and recirculates the clean cool air throughout the enclosure. The second system uses ambient air or water to remove and discharge the heat. Examples of closed-loop cooling equipment employed with electronics and process controls are heat exchangers and air conditioners.

FIGURE 1 — Forced Convection Method

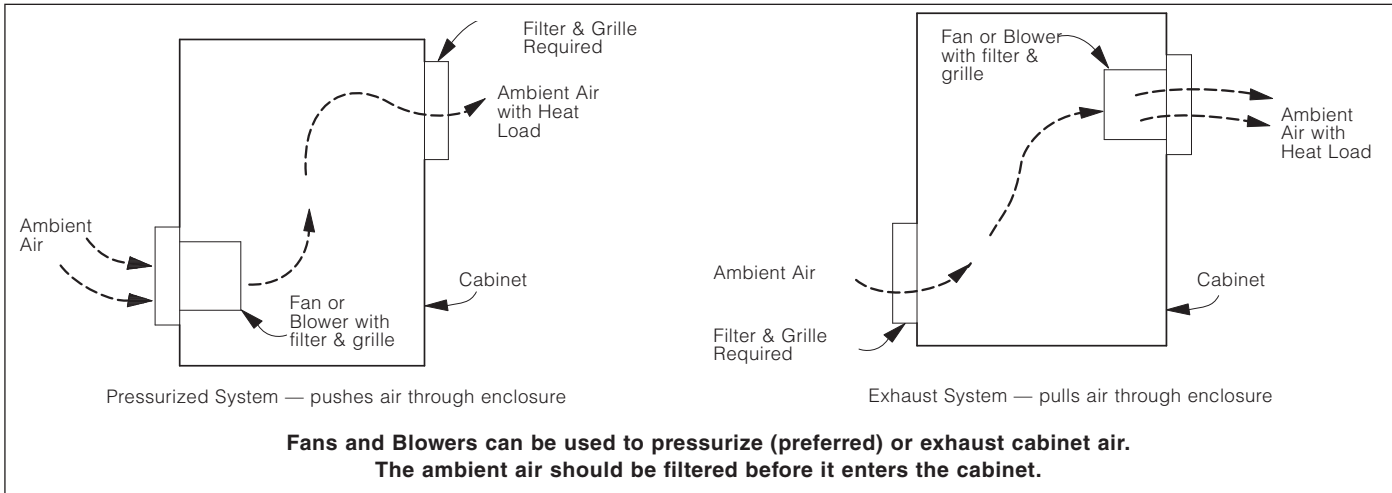
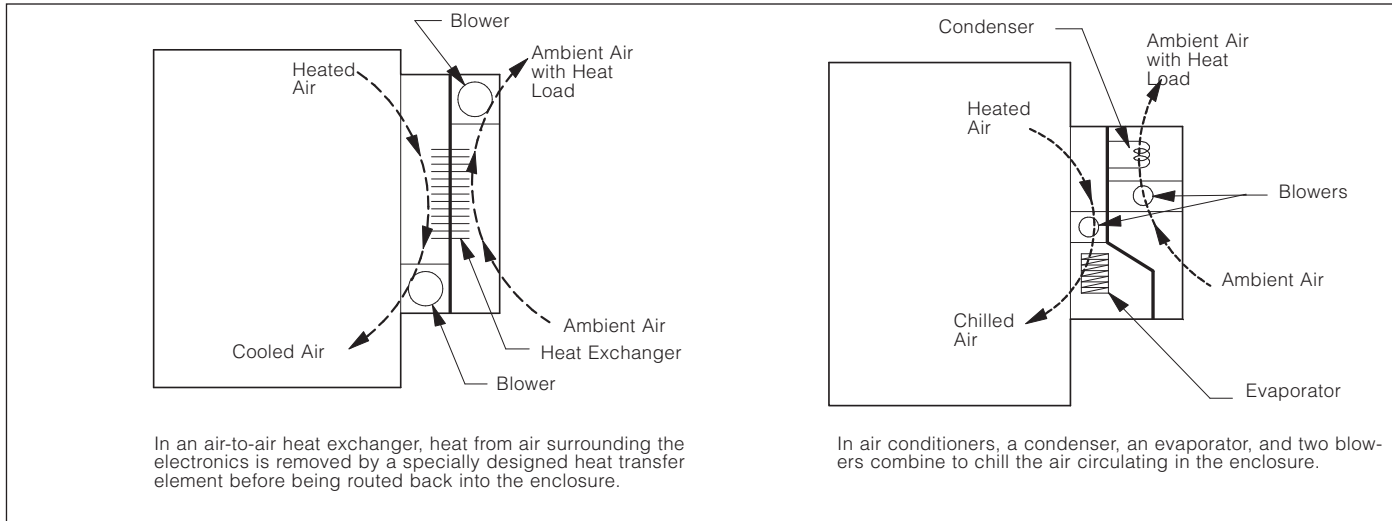


FIGURE 2 - Closed Loop Cooling Method



Cooling Control Cabinets

Most electrical & electronic control systems generate a substantial amount of heat during operation. This heat factor is intensified as controls are made more compact, perform more functions, and are placed in more confined areas. Additional problems are encountered when the electronic process control system is located on-site in an industrial setting, rather than in a clean computer room. The factory environment can be hostile to the point that performance and effective life of the electronic components are materially reduced, or the control system fails completely. Ambient temperature might be excessively high, as that found in a steel mill. Moisture-laden air and air-borne particulate matter might be present to adversely affect the electronic components, as in the paper manufacturing industry.

Air conditioners are designed to perform reliably under many of these harsh conditions and to provide the cooling and environmental protection required by sensitive electronic production control systems.

Factors Affecting Model Selection

This selection is presented as a basic outline or checklist of the various conditions to be considered when choosing a cooling unit for a certain application. The following are factors which must be considered when selecting a cooling unit:

Internal Heat Load — This is the heat dissipated by the electronic controls. It is expressed in watts. One watt equals 3.413 BTU/HR. Thus, to obtain the approximate cooling capacity required to remove a specific heat load, the following formula can be used:

$$\text{Watts} \times 3.413 = \text{BTU/HR}$$

For example, a heat load of 800 watts requires an air conditioner capable of removing at least 2,730 BTU/HR.

Resistance to Air Flow in the Enclosure

Air Flow is measured in cubic feet per minute (CFM). To create an air flow of any desired velocity requires that pressure be produced by the blower in the air conditioner. Resistance to this blower-produced air flow is created by obstruction within the cabinet in the air flow path. The resistance itself is called pressure drop (P.D.) and is measured in inches of water column.

The effect of significant restrictions in the cabinet air flow path are as follows: The obstructions cause pressure drops, which leads to cool air flow reduction. This reduction in cool air flow will decrease the effective capacity of the cooling unit. When selecting the proper cooling unit, allowance must be made for pressure drop.

Heat Load From The Surroundings

Ambient conditions can cause a heat gain in the enclosure. The rated capacity of the cooling unit must be sufficient to handle this heat gain. When evaluating the additional heat load gained from the surroundings, the subject more or less breaks down into two situations: (1) the cabinet is insulated and well sealed, or (2) the cabinet is not insulated (most cabinets are uninsulated.)

(1) **Cabinet Insulated** — Normally, well insulated cabinets will not gain sufficient ambient heat to affect air conditioner's operation. Maximum operating temperature for our air conditioners is 125°F. When the air conditioner operates in ambient temperatures below 125°F, the cooling capacity of the air conditioner substantially increases.

(2) **Cabinet Not Insulated** — Obviously, this design placed more of a burden on the cooling unit. Heat is conducted to the cool side. Thus, high ambient heat will be readily transmitted into the cooler enclosure.

To determine the additional capacity required of our air conditioner installed in an uninsulated cabinet, the surface square footage of the enclosure must be

calculated to obtain the total effective heat transfer area. For this calculation, use the surface area of the sides, plus the area of the top, and omit the bottom area of the cabinet.

Air movement outside the uninsulated cabinet will increase the heat conducted from the ambient into the enclosure. When there is little or no air circulation outside the cabinet, the layer of air immediately adjacent to the exterior cabinet walls acts as an insulating film. Exterior air movement dissipates this insulating layer of air in proportion to the velocity of the air flow. Substantial ambient air circulation will increase the transmitted heat load imposed on the cooling unit.

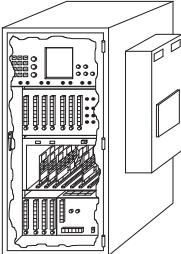
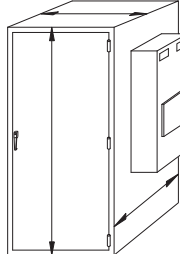
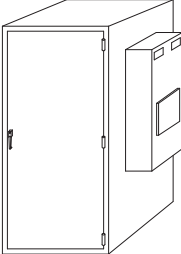
If the cabinet being cooled is not air tight, then high ambient relative humidity will adversely affect the cooling effectiveness of the air conditioner. When humid air infiltrates a poorly sealed enclosure, the air conditioner is required to use up valuable BTU/HR capacity just to condense the moisture from the internal air. Conversely, if the cabinet is well sealed, high ambient relative humidity, has very little effect on the heat capacity of the air conditioner.

Steps For Sizing an Air Conditioner

Proper selection of an air conditioner is determined by the following criteria:

- Required cooling capacity BTU/hr. (complete Steps #1-4)
- Mounting requirements (top or side mounting options)
- Dimension of air conditioner and enclosure

Cooling And Control Cabinets

STEP ONE	STEP TWO	STEP THREE	STEP FOUR
			<p><i>(Watts x 3.413) + [1.25 x Area ft.2 x Δ T (°F)] = BTU/HR.</i></p> <p><i>Capacity Required BTU/HR. Capacity Rating</i></p>
<p><i>1 Watt = 3.413 BTU/HR. Determine the internal heat load in Watts that must be dissipated.</i></p>	<p><i>1 m2 = 10.76 ft.2 Calculate the exposed surface area of the enclosure: 2(h' x w') + 2(h' x d') + (w' x d') = Area (ft2)</i></p>	<p><i>1oC or 1oKΔT=1.8oF T Determine the temperature differential by subtracting the maximum allowable temperature inside the enclosure (Ti) from the maximum ambient temperature outside the enclosure (To) To-Ti=ΔT</i></p>	



Description

A highlight of the Panel-Mounted TrimLine Series is an easy, revolutionary system for installing Panel-Mounted Air Conditioners and Heat Exchangers onto electronic or electrical enclosures. The M/TAB is standard on all TrimLine Air Conditioners. This integral system functions as a mounting template, pre-installation hanger and final assembly bracket.

The M/TAB was specifically designed to assist in the difficult job of installing enclosure Air Conditioners. It simplifies

FEATURES-SPECIFICATIONS

the installation process by eliminating the problem of handling flange-mounted Air Conditioners. The solution is provided by following these installation steps...

- Use the M/TAB as a template to drill holes for mounting to the enclosure
- Bolt M/TAB to enclosure
- Cut out the Supply and Return openings
- Hang the Air Conditioner or Heat Exchanger on the M/TAB
- Secure the unit to the M/TAB

The M/TAB also allows for the quick removal and transportation of the Air Conditioner or Heat Exchanger, separate from the equipment, for servicing

or change to a different capacity same-size Air Conditioner or to a same-size Heat Exchanger.

Features

- No exposed rails or mounting flanges; aesthetically pleasing while conserving cabinet space
- Reduction in installation time and labor, with significant cost savings
- Ease of installation and one piece design reduce mounting errors
- Allows the installer to operate independently
- Functions as a pre-installation hanger and final assembly bracket
- Installation is totally outside the enclosure; no clumsy mounting from inside the enclosure





NEMA
TYPE 3R & 12
MAINTAINED

FEATURES-SPECIFICATIONS

Description

At last - air conditioners designed specifically for cooling electronic enclosures that can be used for both indoor and outdoor applications right out of the box!

No more bulky unattractive weather-hoods... No more worries over what options to specify for outdoor applications.

Expertly designed and crafted, the ADVANTAGE Series boasts a stylish appearance with rounded edges, no visible hardware and a textured baked powder finish to blend easily with contemporary enclosure designs.

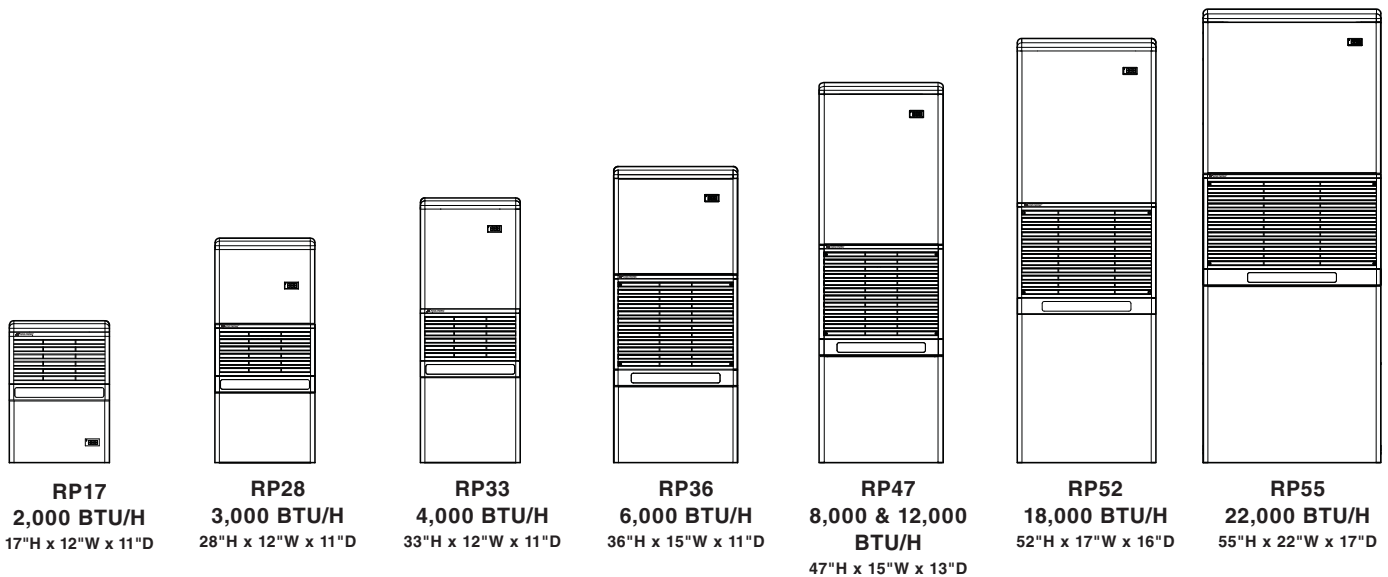
Serviceability has been made easier by incorporating a “knock-down” sheetmetal design which provides quick access to internal components.

These air conditioners are available in capacities from 2,000 to 22,000 BTU/H in seven heights, all utilizing the exclusive M/TAB integral mounting system.

Features

- Capacities: 2,000 to 22,000 BTU/H
- Textured Beige Powder Finish
- Built-in Condensate Evaporator
- CFC-Free Refrigerant
- Closed-Loop Cooling
- Crankcase Compressor Heater
- Digital Temperature Display

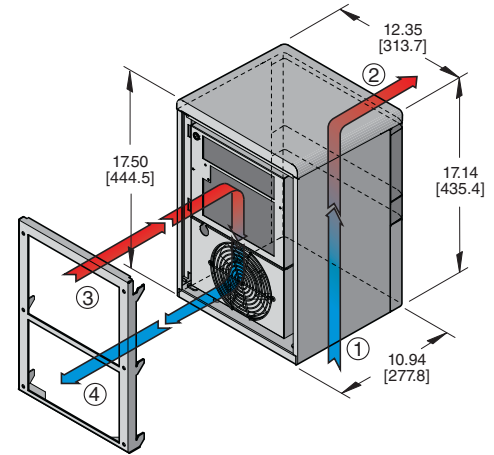
- EMI/RFI Suppressor
- Head Pressure Control Switch
- Heavy-duty Steel Enclosure
- Low Temperature Control Thermostat
- M/TAB Mounting System
- NEMA 3R and 12 Ratings Maintained (UL50)
- Filters
- Six Foot [1.8m] (minimum) SJT 3-wire Cord
- UL/CUL Recognized
- Complete line of accessories



**ENVIRONMENTAL CONTROLS
ADVANTAGE "RP17" SERIES AIR-COOLED
SIDE-MOUNTED AIR CONDITIONERS**



UL US **NEMA**
TYPE 3R & 12
MAINTAINED



- ① FILTERED CONDENSER AIR INLET (Ambient Air In)
- ② CONDENSER OUTLET (Warm Ambient Air Out)
- ③ WARM AIR RETURN FROM ENCLOSURE
- ④ COOL AIR OUTLET TO ENCLOSURE

FEATURES-SPECIFICATIONS

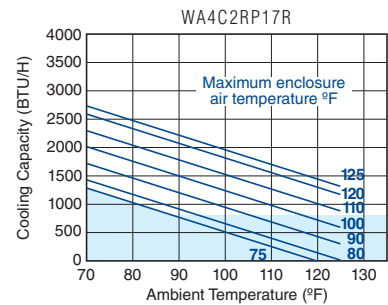
Standard Features

- Condensate Evaporator
- CFC-Free Refrigerant
- Crankcase Compressor Heater
- Digital Temperature Display
- EMI/RFI Suppressor
- Head Pressure Control Switch
- Filters
- Low Temperature Control Thermostat
- M/TAB Mounting System
- NEMA 3R & 12 Rating Maintained
- UL/CUL Recognized†
- Textured Beige Powder Finish

Accessories and Options

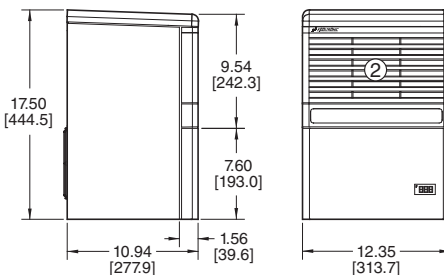
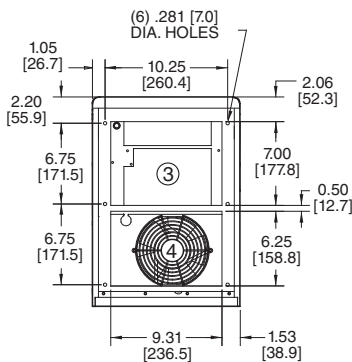
- Cooling Effect Detector
- Enclosure Heater
- Filter Recoating Adhesive
- Filters for replacement
- Internal corrosion protection
- Painted Metal Grille
- Power Loss Delayed Compressor Start
- Short Cycle Protector
- Special paint finishes

PERFORMANCE CHART

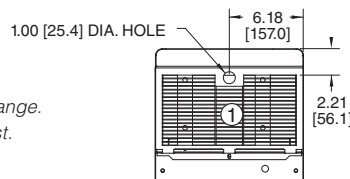
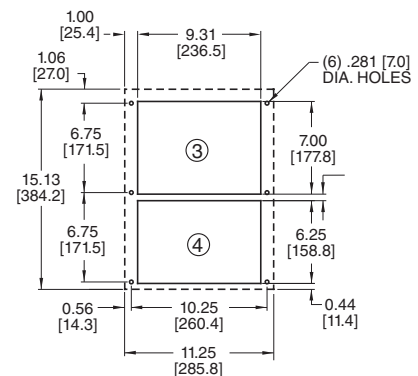


Operation within shaded area not recommended.

ADVANTAGE SERIES RP17 ADVANTAGE AIR-COOLED PANEL-MOUNTED AIR CONDITIONERS							
MODEL	RATED CAPACITY (BTU/H)	95/95 RATING (BTU/H)	AMBIENT TEMP. °F MAX./MIN.	VOLTS	HZ	RUNNING AMPS	APPROX. WEIGHT (LBS.)
WA4C2RP17R	2000	1200	120/50	115/100	60/50	7.0/7.5	64
W2A4C2RP17R	2000	1200	120/50	230/200	60/50	4.0	64



MOUNTING PLAN



Dimensions, inches [metric], are for reference only and subject to change.
†UL/CUL Recognized models are available as Listed at added cost.

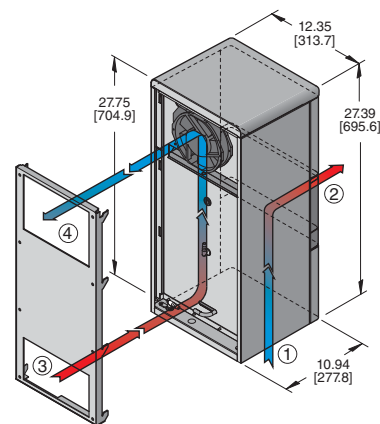
ENVIRONMENTAL CONTROLS ADVANTAGE "RP28" SERIES AIR-COOLED SIDE-MOUNTED AIR CONDITIONERS

K7



NEMA
TYPE 3R & 12
MAINTAINED

- ① FILTERED CONDENSER AIR INLET (Ambient Air In)
- ② CONDENSER OUTLET (Warm Ambient Air Out)
- ③ WARM AIR RETURN FROM ENCLOSURE
- ④ COOL AIR OUTLET TO ENCLOSURE



FEATURES-SPECIFICATIONS

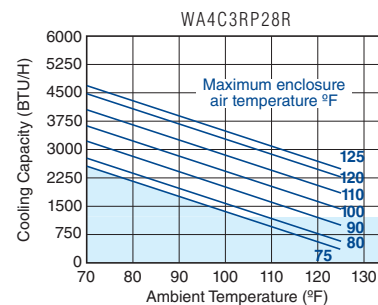
Standard Features

- Condensate Evaporator
- CFC-Free Refrigerant
- Crankcase Compressor Heater
- Digital Temperature Display
- EMI/RFI Suppressor
- Head Pressure Control Switch
- Filters
- Low Temperature Control Thermostat
- M/TAB Mounting System
- NEMA 3R & 12 Rating Maintained
- UL/CUL Recognized*
- Textured Beige Powder Finish

Accessories and Options

- Cooling Effect Detector
- Enclosure Heater
- Filter Recoating Adhesive
- Filters for replacement
- Internal corrosion protection
- Painted Metal Grille
- Power Loss Delayed Compressor Start
- Short Cycle Protector
- Special paint finishes

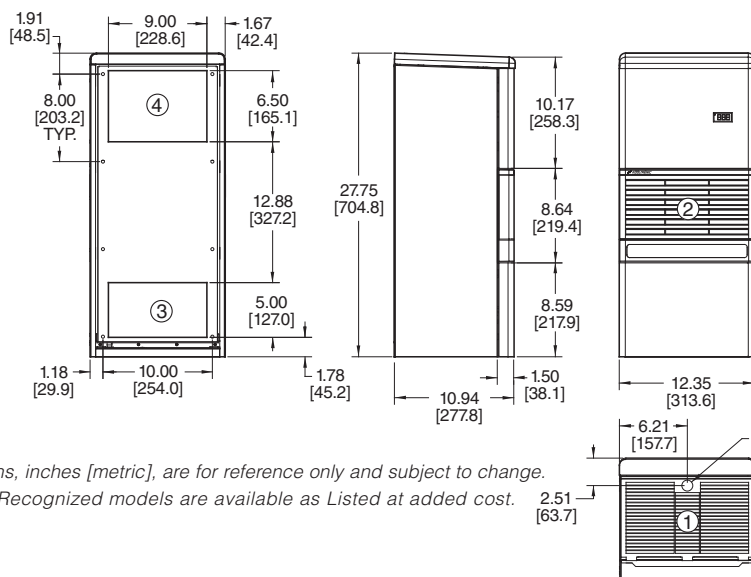
PERFORMANCE CHART



Operation within shaded area not recommended.

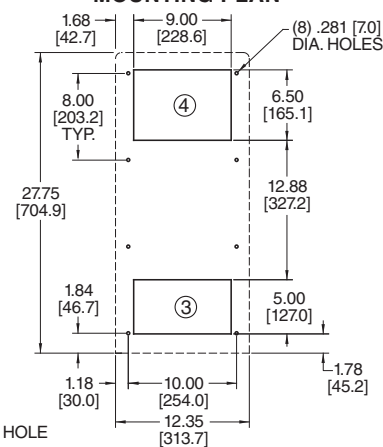
ADVANTAGE SERIES RP17 ADVANTAGE AIR-COOLED PANEL-MOUNTED AIR CONDITIONERS

MODEL	RATED CAPACITY (BTU/H)	95/95 RATING (BTU/H)	AMBIENT TEMP. °F MAX./MIN.	VOLTS	HZ	RUNNING AMPS	APPROX. WEIGHT (LBS.)
WA4C3RP28R	3000	2220	125/50	115/100	60/50	9.8/9.7	86
W2A4C3RP28R	3000	2220	115/50	230/200	60/50	5.5/5.6	86



Dimensions, inches [metric], are for reference only and subject to change.
*UL/CUL Recognized models are available as Listed at added cost.

MOUNTING PLAN



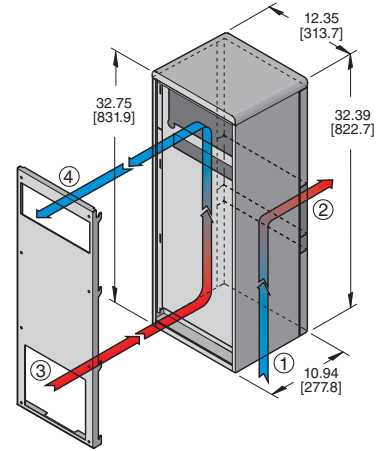
UNIT MUST BE 4" [100mm] MINIMUM ABOVE FLOOR FOR FILTER ACCESS

ENVIRONMENTAL CONTROLS ADVANTAGE "RP33" SERIES AIR-COOLED SIDE MOUNT AIR CONDITIONERS



UL **us** **NEMA**
TYPE 3R & 12
MAINTAINED

- ① FILTERED CONDENSER AIR INLET (Ambient Air In)
- ② CONDENSER OUTLET (Warm Ambient Air Out)
- ③ WARM AIR RETURN FROM ENCLOSURE
- ④ COOL AIR OUTLET TO ENCLOSURE



FEATURES-SPECIFICATIONS

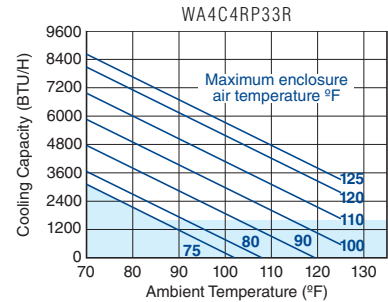
Standard Features

- Built-in Condensate Evaporator
- CFC-Free Refrigerant
- Crankcase Compressor Heater
- Digital Temperature Display
- EMI/RFI Suppressor
- Head Pressure Control Switch
- Filters
- Low Temperature Control Thermostat
- M/TAB Mounting System
- NEMA 3R & 12 Rating Maintained
- UL/CUL Recognized[‡]
- Textured Beige Powder Finish

Accessories and Options

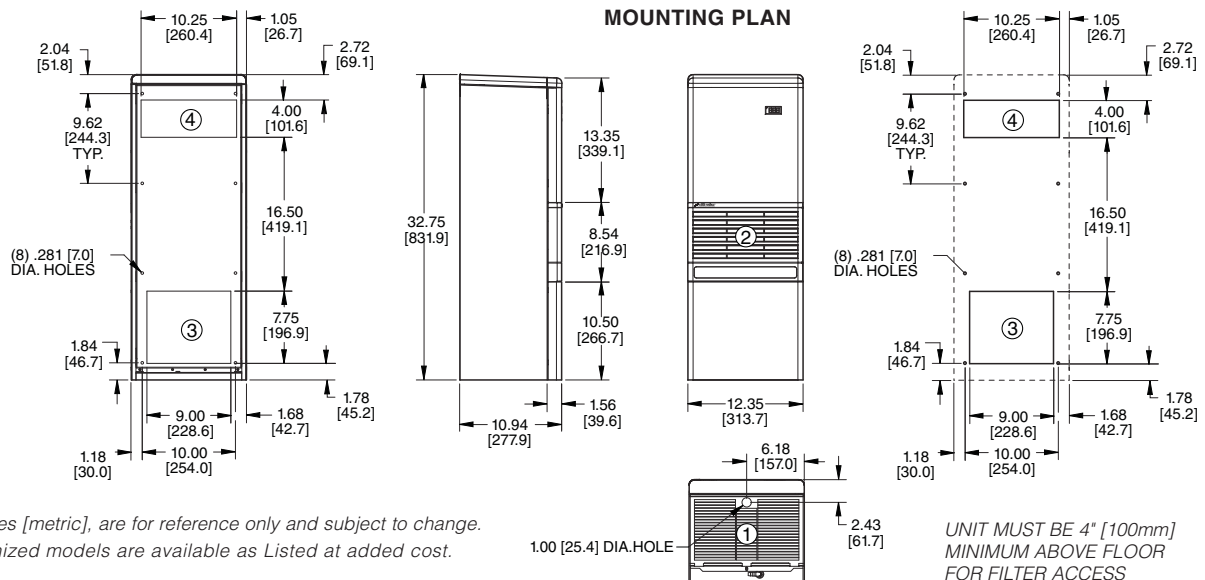
- Cooling Effect Detector
- Enclosure Heater
- Filter Recoating Adhesive
- Filters for replacement
- Internal corrosion protection
- Painted Metal Grille
- Power Loss Delayed Compressor Start
- Short Cycle Protector
- Special paint finishes

PERFORMANCE CHART



WDTS SERIES ENVIRONMENTAL CONTROLS 3500 BTU SIDE MOUNT AIR CONDITIONERS

MODEL	RATED CAPACITY (BTU/H)	95/95 RATING (BTU/H)	AMBIENT TEMP. °F MAX./MIN.	VOLTS	HZ	RUNNING AMPS	APPROX. WEIGHT (LBS.)
WA4C4RP33R	4000	2850	125/50	115/100	60/50	13.6/13.3	98
W2A4C4RP33R	4000	2850	125/50	230/200	60/50	5.8	98



Dimensions, inches [metric], are for reference only and subject to change.
[‡]UL/CUL Recognized models are available as Listed at added cost.

UNIT MUST BE 4" [100mm] MINIMUM ABOVE FLOOR FOR FILTER ACCESS

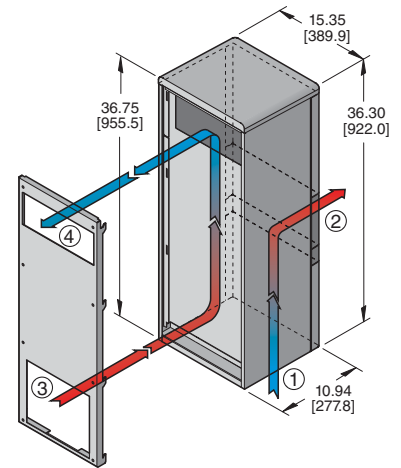
ENVIRONMENTAL CONTROLS ADVANTAGE "RP36" SERIES AIR-COOLED SIDE-MOUNTED AIR CONDITIONERS

K9



NEMA
TYPE 3R & 12
MAINTAINED

- ① FILTERED CONDENSER AIR INLET (Ambient Air In)
- ② CONDENSER OUTLET (Warm Ambient Air Out)
- ③ WARM AIR RETURN FROM ENCLOSURE
- ④ COOL AIR OUTLET TO ENCLOSURE



FEATURES-SPECIFICATIONS

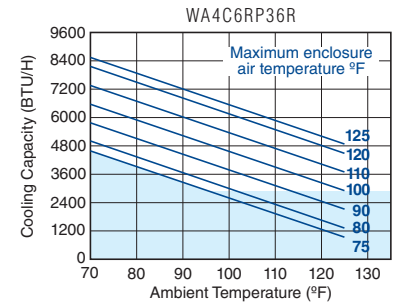
Standard Features

- Built-in Condensate Evaporator
- CFC-Free Refrigerant
- Crankcase Compressor Heater
- Digital Temperature Display
- EMI/RFI Suppressor
- Head Pressure Control Switch
- Filters
- Low Temperature Control Thermostat
- M/TAB Mounting System
- NEMA 3R & 12 Rating Maintained
- UL/CUL Recognized[†]
- Textured Beige Powder Finish

Accessories and Options

- Cooling Effect Detector
- Enclosure Heater
- Filter Recoating Adhesive
- Filters for replacement
- Internal corrosion protection
- Painted Metal Grille
- Power Loss Delayed Compressor Start
- Short Cycle Protector
- Special paint finishes

PERFORMANCE CHART

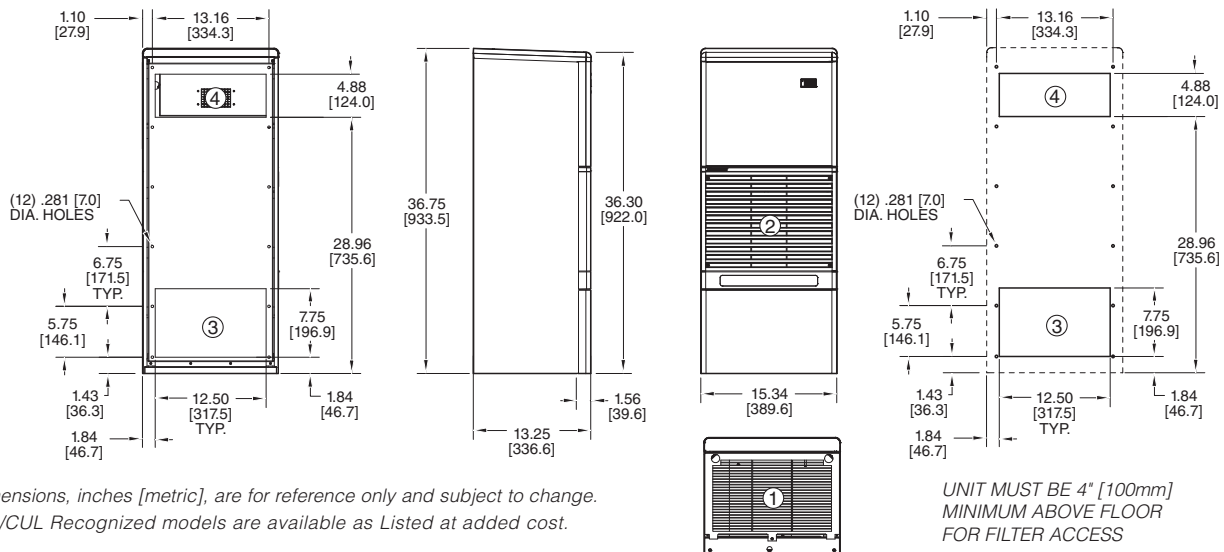


Operation within shaded area not recommended.

ADVANTAGE SERIES RP36 ADVANTAGE AIR-COOLED PANEL-MOUNTED AIR CONDITIONERS

MODEL	RATED CAPACITY (BTU/H)	95/95 RATING (BTU/H)	AMBIENT TEMP. °F MAX./MIN.	VOLTS	HZ	RUNNING AMPS	APPROX. WEIGHT (LBS.)
WA4C6RP36R	6000	4500	125/50	115/100	60/50	19.5/20.0	123
W2A4C6RP36R	6000	4500	115/50	230/200	60/50	19.5/20.0	123

MOUNTING PLAN



Dimensions, inches [metric], are for reference only and subject to change.
[†]UL/CUL Recognized models are available as Listed at added cost.

UNIT MUST BE 4" [100mm]
MINIMUM ABOVE FLOOR
FOR FILTER ACCESS

WIEGMANN

www.hubbell-wiegmann.com
Data Subject To Change Without Notice

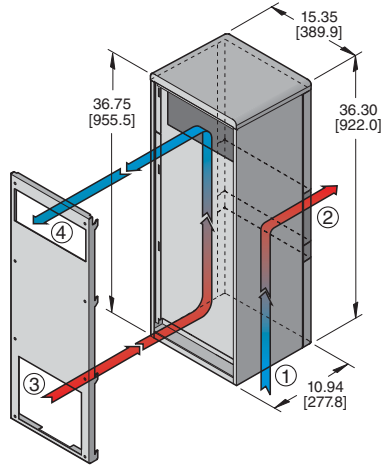


ENVIRONMENTAL CONTROLS ADVANTAGE "RP47" SERIES AIR-COOLED SIDE-MOUNTED AIR CONDITIONERS

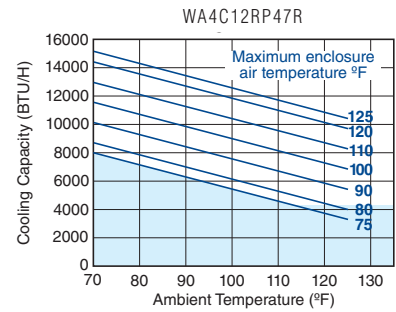
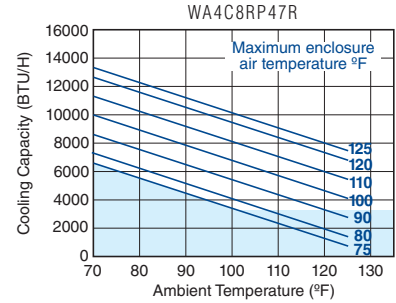


NEMA
TYPE 3R & 12
MAINTAINED

- ① FILTERED CONDENSER AIR INLET (Ambient Air In)
- ② CONDENSER OUTLET (Warm Ambient Air Out)
- ③ WARM AIR RETURN FROM ENCLOSURE
- ④ COOL AIR OUTLET TO ENCLOSURE



PERFORMANCE CHART



Operation within shaded area not recommended.

Standard Features

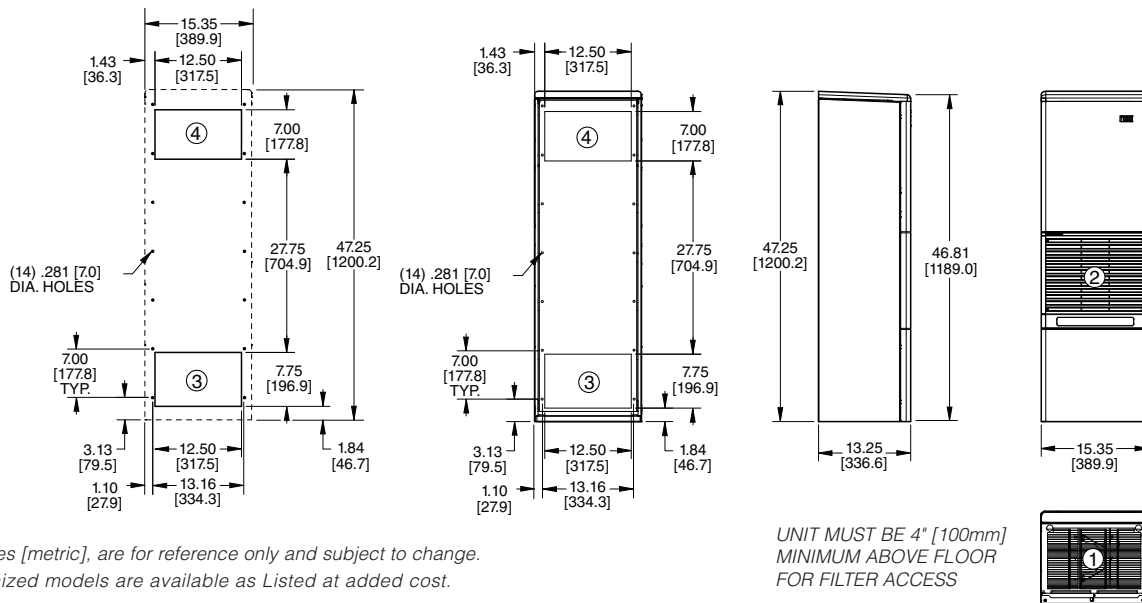
- Built-in Condensate Evaporator
- CFC-Free Refrigerant
- Crankcase Compressor Heater
- Digital Temperature Display
- EMI/RFI Suppressor
- Head Pressure Control Switch
- Filters
- Low Temperature Control Thermostat
- M/TAB Mounting System
- NEMA 3R & 12 Rating Maintained
- UL/CUL Recognized*
- Textured Beige Powder Finish

Accessories and Options

- Cooling Effect Detector
- Enclosure Heater
- Filter Recoating Adhesive
- Filters for replacement
- Internal corrosion protection
- Painted Metal Grille
- Power Loss Delayed Compressor Start
- Short Cycle Protector
- Special paint finishes

ADVANTAGE SERIES RP47 ADVANTAGE AIR-COOLED PANEL-MOUNTED AIR CONDITIONERS

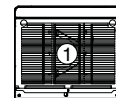
MODEL	RATED CAPACITY (BTU/H)	95/95 RATING (BTU/H)	AMBIENT TEMP. °F MAX./MIN.	VOLTS	HZ	RUNNING AMPS	APPROX. WEIGHT (LBS.)
WA3C8RP47R	8000	6600	125/50	115/100	60/50	12.2/12.7	150
W2A3C8RP47R	8000	6600	125/50	230/200	60/50	5.7/5.9	150
WA3C12RP47R	12000	8500	125/50	115/100	60/50	19.8/19.1	150
W2A3C12RP47R	12000	8500	125/50	230/200	60/50	9.1/9.0	150



Dimensions, inches [metric], are for reference only and subject to change.

*UL/CUL Recognized models are available as Listed at added cost.

UNIT MUST BE 4" [100mm]
MINIMUM ABOVE FLOOR
FOR FILTER ACCESS





NEMA
TYPE 12
MAINTAINED

FEATURES-SPECIFICATIONS

Description

Innovations in technology have resulted in much denser components packaging and smaller available panel sizes on which to mount Air Conditioners. The TrimLine Series is the response to these new packaging demands with the Narrow 10", 12", 15" and 17" width panel-mount air conditioners. In addition to being narrower than traditional Air Conditioner units, the TrimLine Series include the Condensate Evaporator, Low Temperature Control Thermostat and EMI/RFI Suppressor as standard features and are available in all popular voltages and frequencies.

The TrimLine Series consists of compact models in 2,000-2,500 BTU/H capacities, mid-size models, 28", 33" and 36" WITH up to 4,000, 5,000 and 6,000 BTU/H respectively and the full-size model at 47" with 10,000 BTU/H. Each model series is designed with a minimum width to take up less cabinet space on the exterior panel or door.

Integral to the TrimLine Series is the M/TAB (Mounting Template and Assembly Bracket) system which

makes installing Air Conditioners simple and fast and interchangeable with corresponding TrimLine Heat Exchangers.

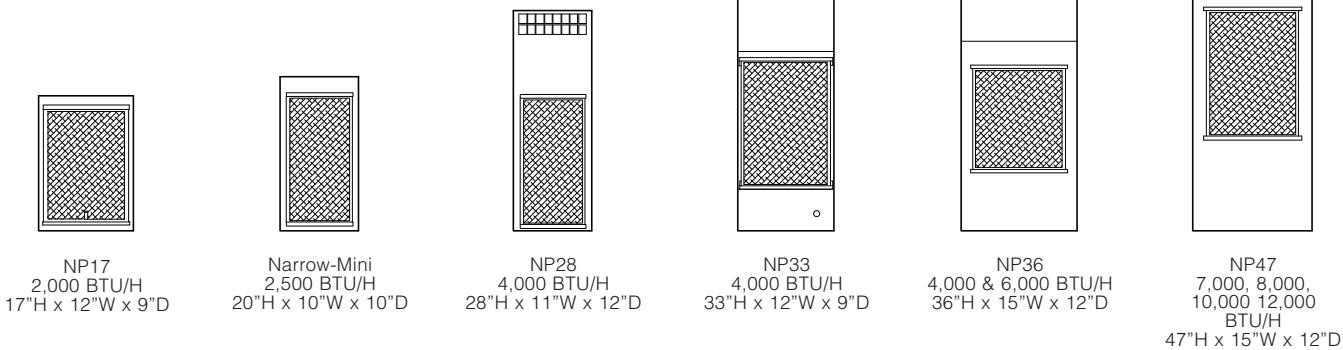
Outdoor or corrosive environments require weather protection and/or special internal and external protective features. For outdoor applications see the Advantage and Integrity Outdoor Series.

For extreme ambient temperatures and/or severely contaminated environments, the use of TrimLine or other Water-Cooled Air Conditioners are recommended.

Features

- Capacities: 2,000 to 10,000 BTU/H; six heights available
- CFC-free or Low ODP Refrigerant
- All models UL/CUL Listed or Recognized
- Tested and approved by UL for NEMA 12 Enclosures
- Compact design with slim 10", 12", 15" and 17" wide mounting footprints

- Exclusive KOOLTRONIC M/TAB integral mounting system for quick, easy installation
- Built-in Condensate Evaporator eliminates need for draining normal condensate
- Thermostatic Low Temperature Control prevents over-cooling and provides energy-efficient operation
- EMI/RFI Suppressor minimizes transient line spikes during on/off cycling
- Field-reversible condenser outlet blower provides choice of horizontal or vertical air discharge
- Heavy-duty steel enclosures with gray baked powder finish
- Six foot (minimum) SJT 3-wire power cord
- Complete line of accessories

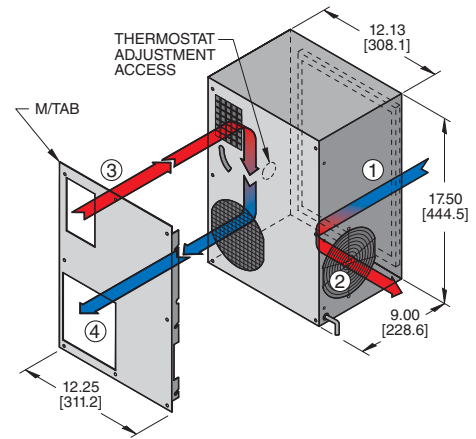


ENVIRONMENTAL CONTROLS TRIMLINE "NP17" SERIES SIDE-MOUNTED AIR CONDITIONERS



**NEMA
TYPE 12
MAINTAINED**

- ① FILTERED CONDENSER AIR INLET (Ambient Air In)
- ② CONDENSER OUTLET (Warm Ambient Air Out)
- ③ WARM AIR RETURN FROM ENCLOSURE
- ④ COOL AIR OUTLET TO ENCLOSURE



Standard Features

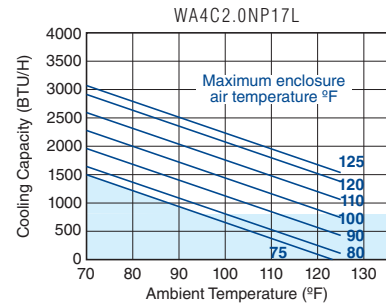
- Built-in Condensate Evaporator
- CFC-Free Refrigerant
- EMI/RFI Suppressor
- Low Temperature Control Thermostat
- M/TAB Mounting System
- NEMA 12 Rating Maintained (UL50)[†]
- UL/CUL Listed
- Gray Powder Finish

- Filter Recoating Adhesive
- Filters for replacement
- Internal corrosion protection
- Lifting Eyes
- Low Ambient Kit
- Short Cycle Protector
- Special materials or finishes
- Special motors, line cords, or connectors
- Stainless or Aluminum Cabinet
- Weather Protection Kit

Accessories and Options

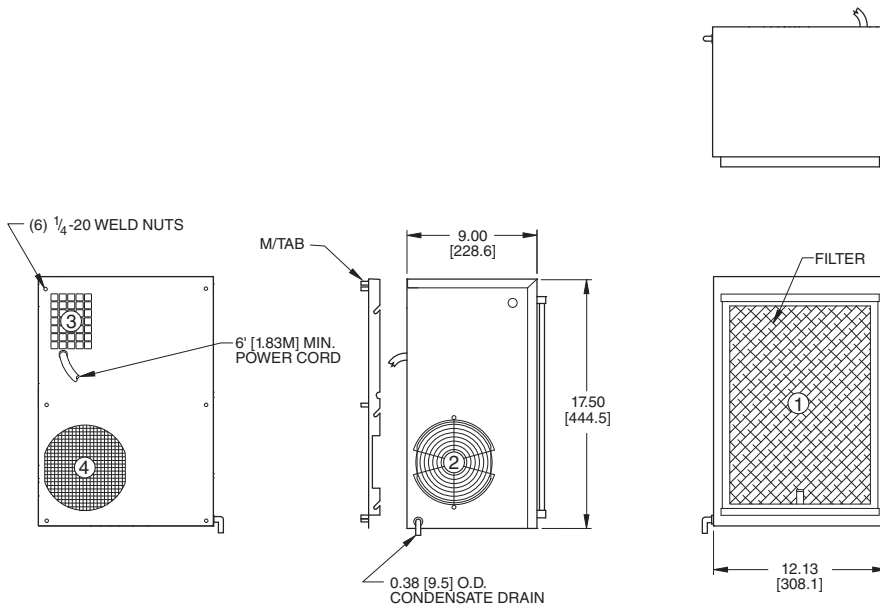
- Cooling Effect Detector

PERFORMANCE CHART

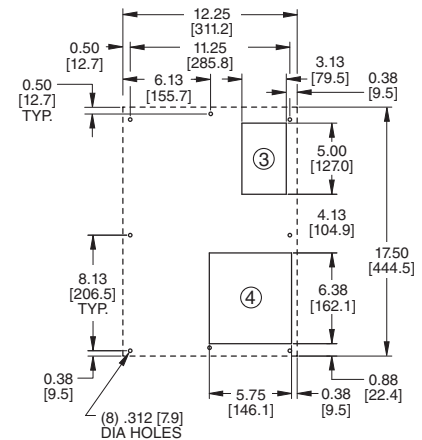


Operation within shaded area not recommended.

TRIMLINE SERIES NP17 AIR-COOLED PANEL-MOUNTED AIR CONDITIONERS							
MODEL	RATED CAPACITY (BTU/H)	95/95 RATING (BTU/H)	AMBIENT TEMP. °F MAX./MIN.	VOLTS	HZ	RUNNING AMPS	APPROX. WEIGHT (LBS.)
WA4C20NP17L	2000	1420	125/50	115/100	60/50	6.7/6.5	59
W2A4C20NP17L	2000	1420	125/50	230/200	60/50	4.3	59



MOUNTING PLAN



Dimensions, inches [metric], are for reference only and subject to change.
[†]UL/CUL Recognized models are available as Listed at added cost.

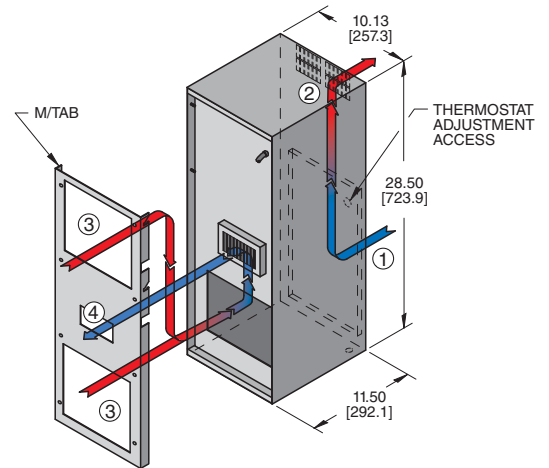
Weld nuts supplied for alternate mounting method to maintain NEMA 12. Mounting Plans furnished on request.

ENVIRONMENTAL CONTROLS TRIMLINE "NP28" SERIES AIR-COOLED SIDE-MOUNTED AIR CONDITIONERS

K13



- ① FILTERED CONDENSER AIR INLET (Ambient Air In)
- ② CONDENSER OUTLET (Warm Ambient Air Out)
- ③ WARM AIR RETURN FROM ENCLOSURE
- ④ COOL AIR OUTLET TO ENCLOSURE



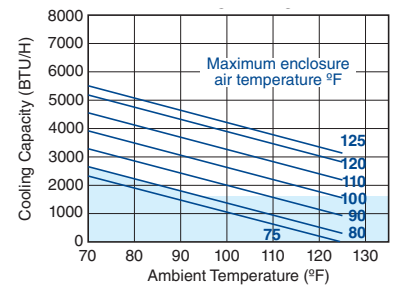
Standard Features

- Built-in Condensate Evaporator
- CFC-Free Refrigerant
- EMI/RFI Suppressor
- Low Temperature Control Thermostat
- M/TAB Mounting System
- NEMA 12 Rating Maintained (UL50)
- UL/CUL Listed
- Gray Powder Finish

- Filter Recoating Adhesive
- Filters for replacement
- Internal corrosion protection
- Lifting Eyes
- Low Ambient Kit
- Short Cycle Protector
- Special materials or finishes
- Special motors, line cords, or connectors
- Stainless or Aluminum Cabinet
- Weather Protection Kit

PERFORMANCE CHART

WA4C4NP28L

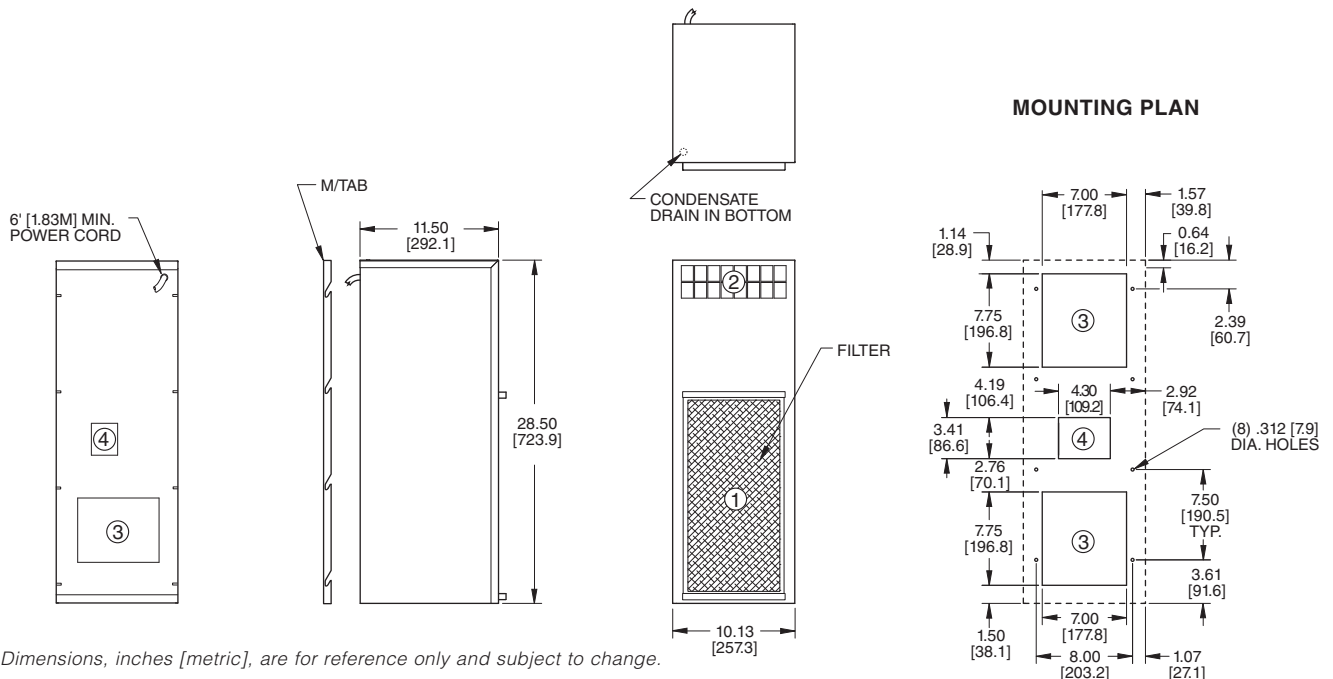


Operation within shaded area not recommended.

Accessories and Options

- Cooling Effect Detector

TRIMLINE SERIES NP28 AIR-COOLED PANEL-MOUNTED AIR CONDITIONERS							
MODEL	RATED CAPACITY (BTU/H)	95/95 RATING (BTU/H)	AMBIENT TEMP. °F MAX./MIN.	VOLTS	HZ	RUNNING AMPS	APPROX. WEIGHT (LBS.)
WA4C4NP28L	4000	2520	125/50	115/100	60/50	13.0/12.0	85
W2A4C4NP28L	4000	2520	120/50	230/200	60/50	6.0	85

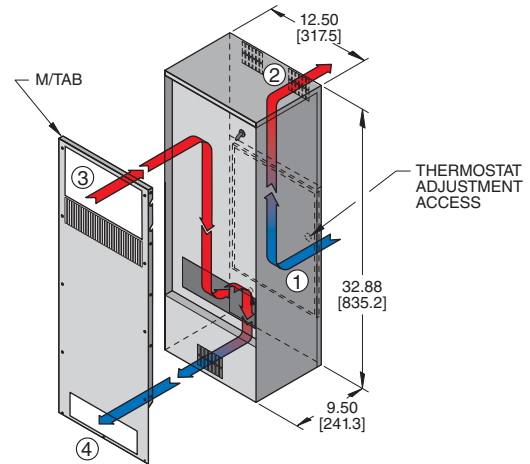


Dimensions, inches [metric], are for reference only and subject to change.

ENVIRONMENTAL CONTROLS TRIMLINE "NP33" SERIES AIR-COOLED SIDE-MOUNTED AIR CONDITIONERS



NEMA
TYPE 12
MAINTAINED



Standard Features

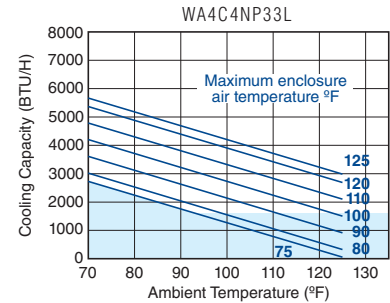
- Built-in Condensate Evaporator
- CFC-Free or Low ODP Refrigerant
- EMI/RFI Suppressor
- Low Temperature Control Thermostat
- M/TAB Mounting System
- NEMA 12 Rating Maintained (UL50)
- Reversible Condenser Outlet Blower
- UL/CUL Listed
- Gray Powder Finish

- Enclosure Heater
- Filter Recoating Adhesive
- Filters for replacement
- Internal corrosion protection
- Lifting Eyes
- Low Airflow Detector
- Low Ambient Kit
- Short Cycle Protector
- Special materials or finishes
- Special motors, line cords, or connectors
- Stainless or Aluminum Cabinet
- Weather Protection Kit

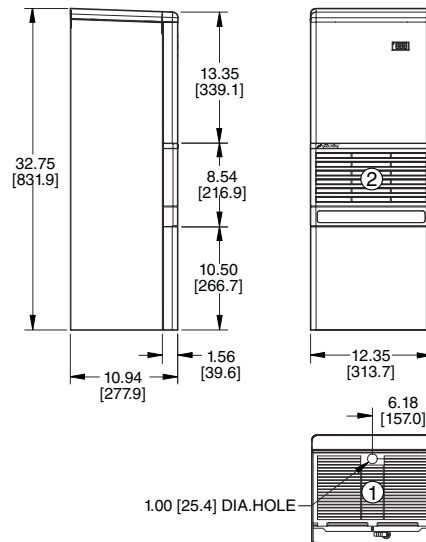
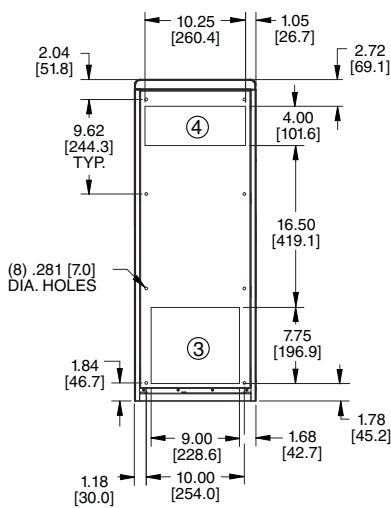
Accessories and Options

- Cooling Effect Detector

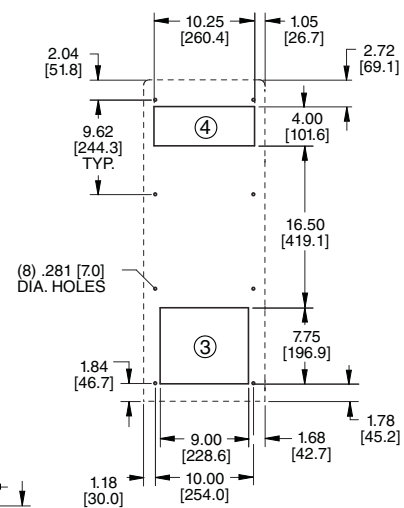
PERFORMANCE CHART



TRIMLINE SERIES NP33 AIR-COOLED PANEL-MOUNTED AIR CONDITIONERS							
MODEL	RATED CAPACITY (BTU/H)	95/95 RATING (BTU/H)	AMBIENT TEMP. °F MAX./MIN.	VOLTS	HZ	RUNNING AMPS	APPROX. WEIGHT (LBS.)
WA4C4NP33L	4000	2680	125/50	115/100	60/50	12.8	90
W2A4C4NP33L	4000	2680	125/50	230/200	60/50	7.0	90



MOUNTING PLAN



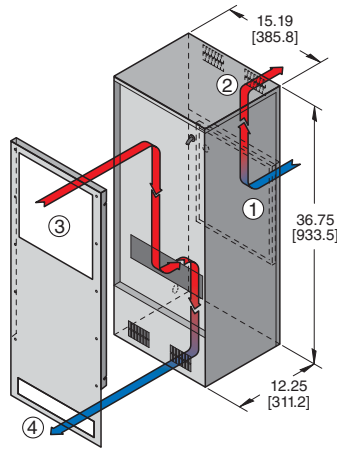
Dimensions, inches [metric], are for reference only and subject to change.

ENVIRONMENTAL CONTROLS TRIMLINE "NP36" SERIES AIR-COOLED SIDE-MOUNTED AIR CONDITIONERS

K15



- ① FILTERED CONDENSER AIR INLET (Ambient Air In)
- ② CONDENSER OUTLET (Warm Ambient Air Out)
- ③ WARM AIR RETURN FROM ENCLOSURE
- ④ COOL AIR OUTLET TO ENCLOSURE



Standard Features

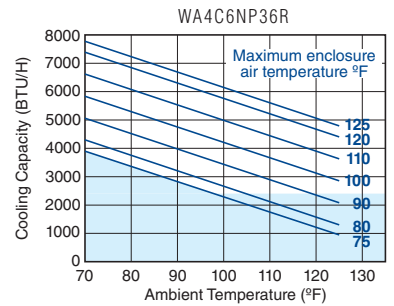
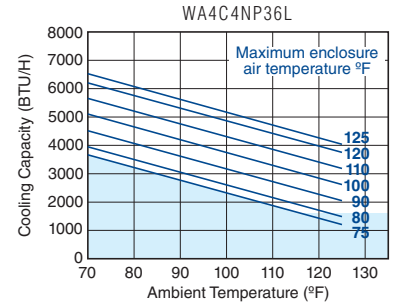
- Built-in Condensate Evaporator
- CFC-Free Refrigerant
- EMI/RFI Suppressor
- Low Temperature Control Thermostat
- M/TAB Mounting System
- NEMA 12 Rating Maintained(UL50)
- Reversible Condenser Outlet Blower
- UL/CUL Listed/Recognized[†]
- Gray Powder Finish

- Filter Recoating Adhesive
- Filters for replacement
- Internal corrosion protection
- Lifting Eyes
- Low Ambient Kit
- Low Airflow Detector
- Short Cycle Protector
- Special materials or finishes
- Special motors, line cords, or connectors
- Stainless or Aluminum Cabinet
- Weather Protection Kit

Accessories and Options

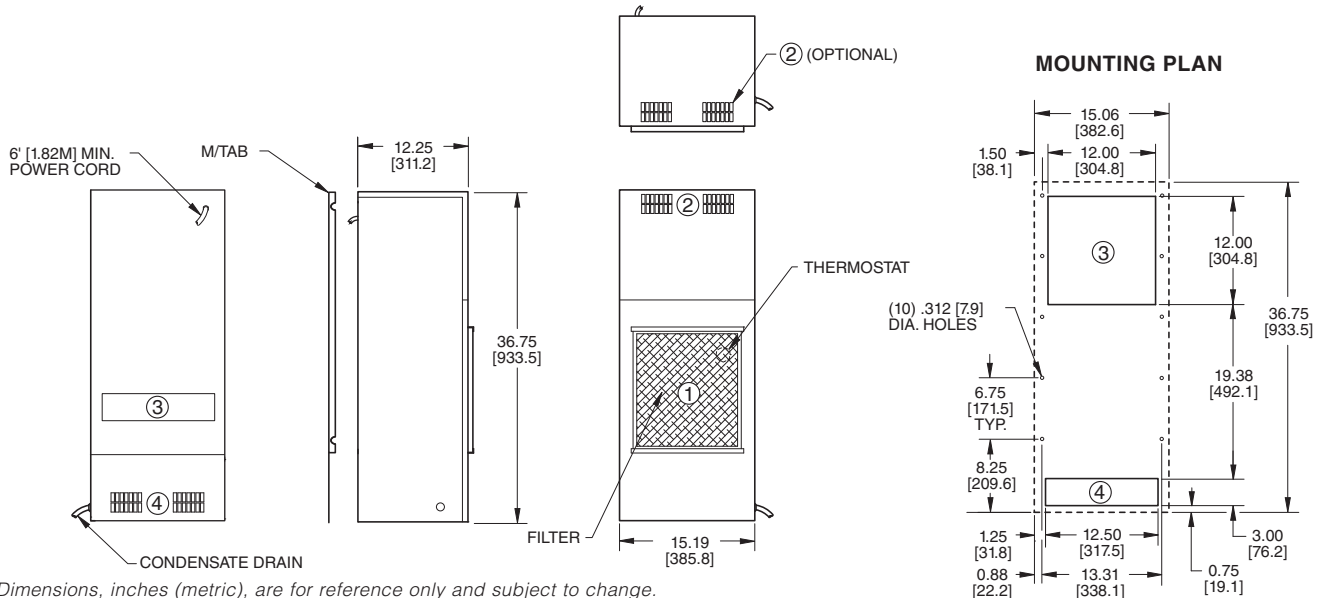
- Cooling Effect Detector

PERFORMANCE CHARTS



Operation within shaded area not recommended.

TRIMLINE SERIES NP36 AIR-COOLED PANEL-MOUNTED AIR CONDITIONERS							
MODEL	RATED CAPACITY (BTU/H)	95/95 RATING (BTU/H)	AMBIENT TEMP. °F MAX./MIN.	VOLTS	HZ	RUNNING AMPS	APPROX. WEIGHT (LBS.)
WA4C4NP36L	4000	3700	125/50	115/100	60/50	13.5	125
W2A4C4NP36L	4000	3700	125/50	230/200	60/50	7.5	125
WA4C6NP36R	6000	4100	125/50	115/100	60/50	16.5/17.0	125
W2A4C6NP36L	6000	4100	125/50	230/200	60/50	8.2	125



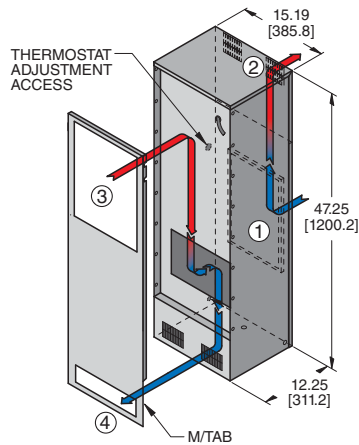
Dimensions, inches (metric), are for reference only and subject to change.

[†]UL/CUL Recognized models are available as Listed at added cost.

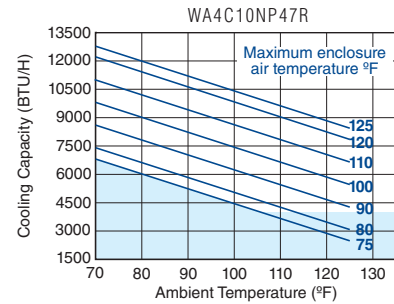
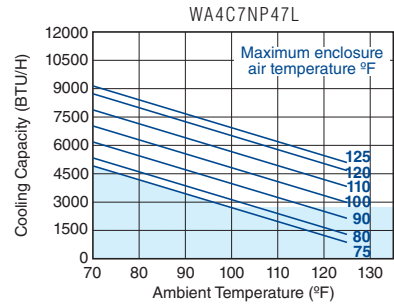
ENVIRONMENTAL CONTROLS TRIMLINE "NP47" SERIES AIR-COOLED SIDE-MOUNTED AIR CONDITIONERS



- ① FILTERED CONDENSER AIR INLET (Ambient Air In)
- ② CONDENSER OUTLET (Warm Ambient Air Out)
- ③ WARM AIR RETURN FROM ENCLOSURE
- ④ COOL AIR OUTLET TO ENCLOSURE



PERFORMANCE CHARTS



Operation within shaded area not recommended.

Standard Features

- Built-in Condensate Evaporator
- CFC-Free or Low ODP Refrigerant
- EMI/RFI Suppressor
- Low Temperature Control Thermostat
- M/TAB Mounting System
- NEMA 12 Rating Maintained (UL50)
- Reversible Condenser Outlet Blower
- UL/CUL Listed/Recognized[†]
- Gray Powder Finish

- Enclosure Heater
- Filter Recoating Adhesive
- Filters for replacement
- Internal corrosion protection
- Lifting Eyes
- Low Airflow Detector
- Low Ambient Kit
- Short Cycle Protector
- Special materials or finishes
- Special motors, line cords, or connectors
- Stainless or Aluminum Cabinet
- Weather Protection Kit

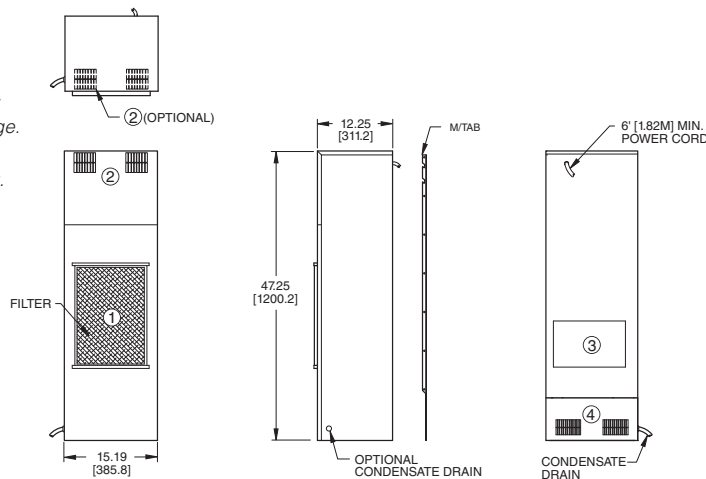
Accessories and Options

- Cooling Effect Detector
- Deep Drain Pan Kit

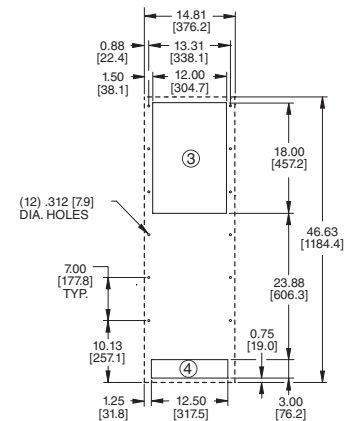
TRIMLINE SERIES NP47 AIR-COOLED PANEL-MOUNTED AIR CONDITIONERS							
MODEL	RATED CAPACITY (BTU/H)	95/95 RATING (BTU/H)	AMBIENT TEMP. °F MAX./MIN.	VOLTS	HZ	RUNNING AMPS	APPROX. WEIGHT (LBS.)
WA4C7NP47R	7000	4750	125/50	115/100	60/50	16.5	150
WA4C7NP47L	7000	4750	125/50	230/200	60/50	8.6	150
WA3C10NP47R	10000	7250	120/50	115/100	60/50	19.2/18.6	160
WA4C10NP47L	10000	7250	125/50	230/200	60/50	11.8	160
WA3C13NP47R	13000	7250	120/50	115/100	60/50	19.2/18.6	160
WA4C13NP47R	13000	7250	125/50	230/200	60/50	11.8	160

Dimensions, inches [metric], are for reference only and subject to change.

[†]UL/CUL Recognized models are available as Listed at added cost.



MOUNTING PLAN



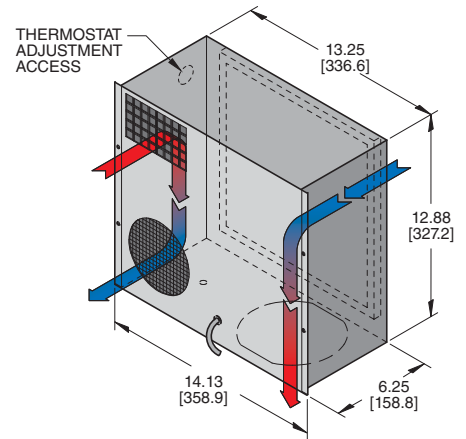
ENVIRONMENTAL CONTROLS MICRO-MINI SERIES AIR-COOLED SIDE-MOUNTED AIR CONDITIONERS

K17



**NEMA
TYPE 12
MAINTAINED**

- ① FILTERED CONDENSER AIR INLET (Ambient Air In)
- ② CONDENSER OUTLET (Warm Ambient Air Out)
- ③ WARM AIR RETURN FROM ENCLOSURE
- ④ COOL AIR OUTLET TO ENCLOSURE



FEATURES-SPECIFICATIONS

Standard Features

- Ball-bearing Motors
- CFC-Free Refrigerant
- EMI/RFI Suppressor
- Low Temperature Control Thermostat
- NEMA 12 Rating Maintained (UL50)
- UL/CUL Listed
- Gray Powder Finish

Accessories and Options

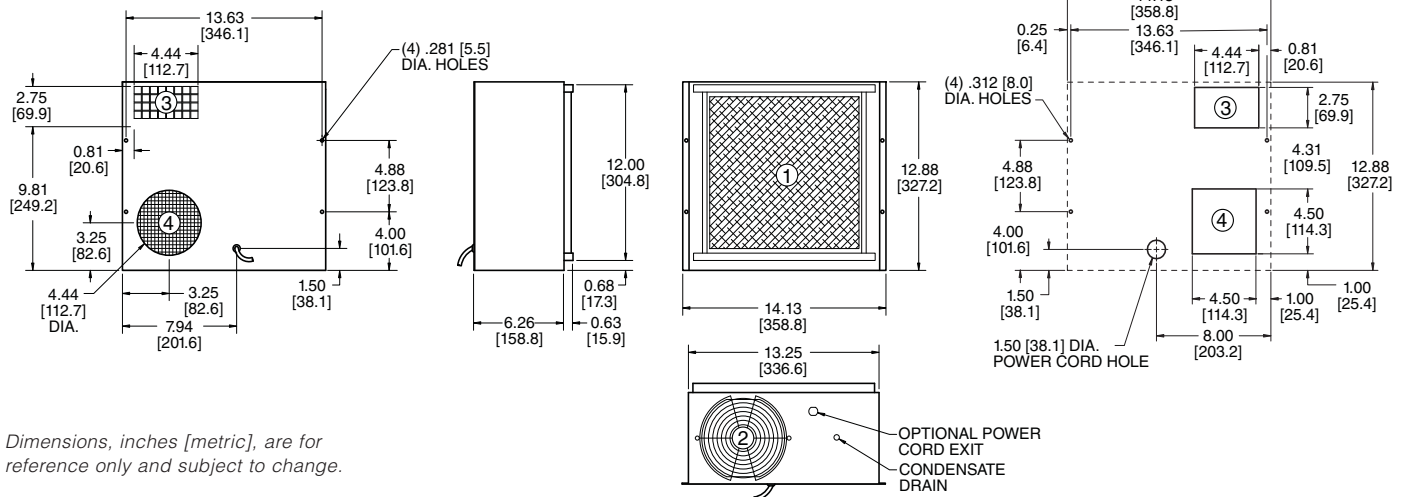
- Adapter Plate for rack mounting
- Compressor Heater
- Condensate Evaporator
- Cooling Effect Detector
- Filter Recoating Adhesive
- Filters for replacement
- Internal corrosion protection
- Lifting Eyes

- Low Ambient Kit and Compressor Heater
- Mounting Hinge
- Short Cycle Protector
- Special materials or finishes
- Special motors, line cords, or connectors
- Stainless or Aluminum Cabinet
- Weather Protection Kit

MICRO-MINI SERIES AIR-COOLED PANEL-MOUNTED AIR CONDITIONERS

MODEL	RATED CAPACITY (BTU/H)	95/95 RATING (BTU/H)	AMBIENT TEMP. °F MAX./MIN.	VOLTS	HZ	RUNNING AMPS	APPROX. WEIGHT (LBS.)
WA4C10MML	1000	600	125/50	115/100	60/50	4.5	43
W2A4C10MML	1000	600	125/50	230/200	60/50	2.3	43

MOUNTING PLAN



Dimensions, inches [metric], are for reference only and subject to change.



NEMA
TYPE 4/4X
MAINTAINED

FEATURES-SPECIFICATIONS

Description

Designed specifically for NEMA 4 and 4X Enclosure applications that require washdown or are subject to outdoor storm conditions, Integrity NEMA 4/4X Air Conditioners protect the ratings of NEMA 4 or 4X Enclosures.

These exclusive patented UL/CUL Recognized Panel-Mounted Air Conditioners provide superior closed-loop cooling and also protect against the hazards specified for both Indoor and Outdoor NEMA 4 and 4X Enclosures. Tested and rated by universally recognized Underwriters Laboratories, these uniquely-designed 304-2B Stainless Steel Air Conditioners prevent unwanted environmental penetration of NEMA 4 and 4X Enclosures as they provide a clean, cool internal environment.

With the design advantages of the Integrity NEMA 4/4X Series and the inclusion of the unique Mounting Template and Assembly Bracket (M/TAB), modified for this design, this series offers the finest in cooling innovation and technology.

Features

- Capacities range from 2,000 to 10,000 BTU/H in 32", 38", 47" and 59" heights
- UL/CUL Listed or Recognized®
- Tested and approved by UL for NEMA 4 and 4X Enclosures
- CFC-free Refrigerant
- Gasketed flanges on all four mounting edges for positive leakproof seal
- Exclusive modified integral Mounting Template and Assembly Bracket (M/TAB) for quick, easy installation.
- Thermostatic Low Temperature Control prevents over-cooling and provides energy-efficient operation
- Internal Corrosion Protection
- EMI/RFI Suppressor minimizes transient line spikes during on/off cycling
- Separate blower-driven evaporator and condenser air systems penetrate high static pressure applications
- Rugged heavy duty stainless steel exterior

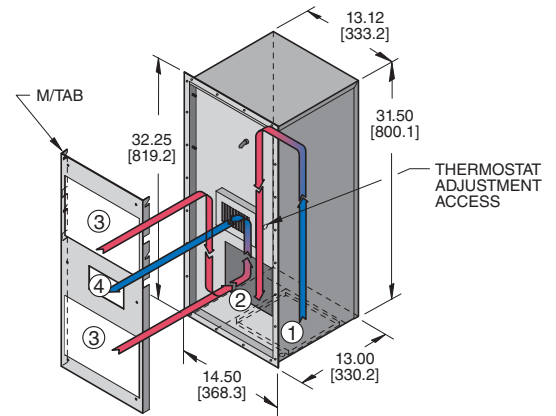
ENVIRONMENTAL CONTROLS INTEGRITY "32" SERIES AIR-COOLED SIDE-MOUNTED AIR CONDITIONERS

K19



NEMA
TYPE 4/4X
MAINTAINED

- ① FILTERED CONDENSER AIR INLET (Ambient Air In)
- ② CONDENSER OUTLET (Warm Ambient Air Out)
- ③ WARM AIR RETURN FROM ENCLOSURE
- ④ COOL AIR OUTLET TO ENCLOSURE



Standard Features

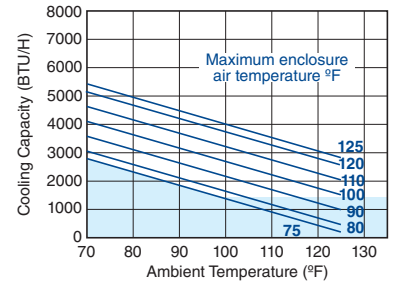
- CFC-Free Refrigerant
- EMI/RFI Suppressor
- Internal corrosion protection
- Low Temperature Control Thermostat
- M/TAB Mounting System
- NEMA 4/4X Rating Maintained (UL50)
- Stainless Steel Cabinet
- UL/CUL Recognized[†]

Accessories and Options

- Cooling Effect Detector
- Filter Recoating Adhesive
- Filters for replacement
- Lifting Eyes
- Low Ambient Kit & Compressor Heater
- Short Cycle Protector
- Special materials or finishes

PERFORMANCE CHART

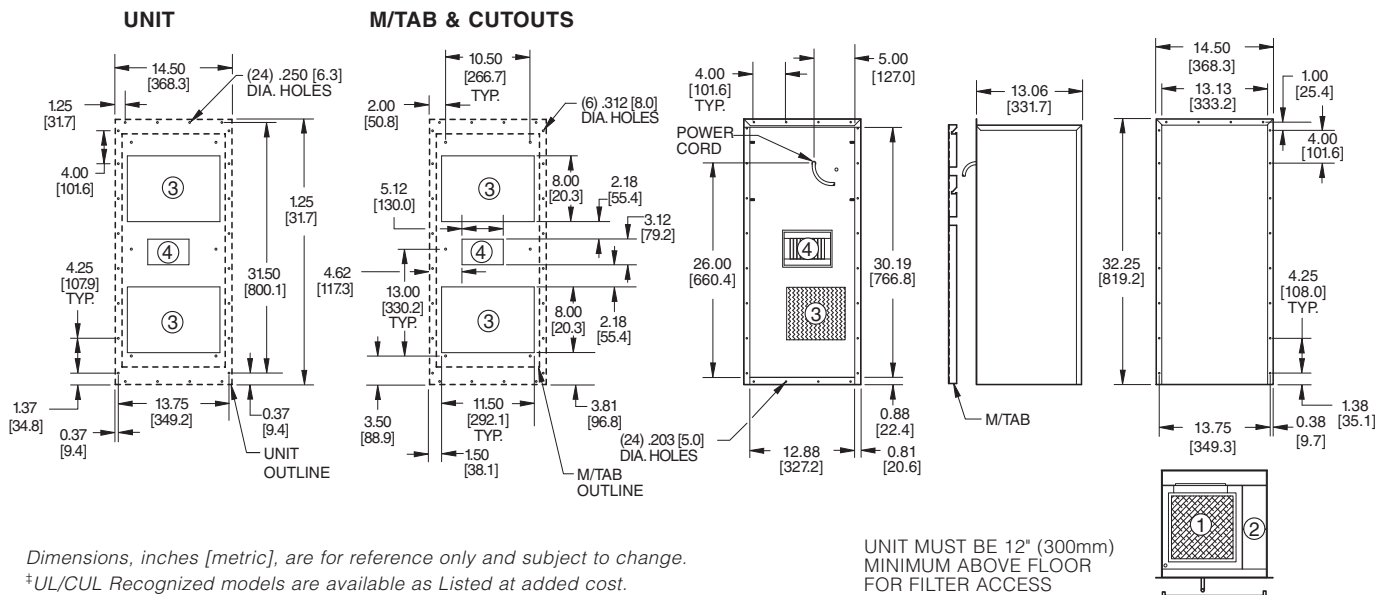
WNA4C4P32R



Operation within shaded areas not recommended.

INTEGRITY SERIES 32 AIR-COOLED PANEL-MOUNTED AIR CONDITIONERS							
MODEL	RATED CAPACITY (BTU/H)	95/95 RATING (BTU/H)	AMBIENT TEMP. °F MAX./MIN.	VOLTS	HZ	RUNNING AMPS	APPROX. WEIGHT (LBS.)
WNA4C4P32L	4000	2650	125/50	115/100	60/50	13.0/12.0	105
W2NA4C4P32L	4000	2650	120/50	230/200	60/50	6.0	105

MOUNTING PLAN



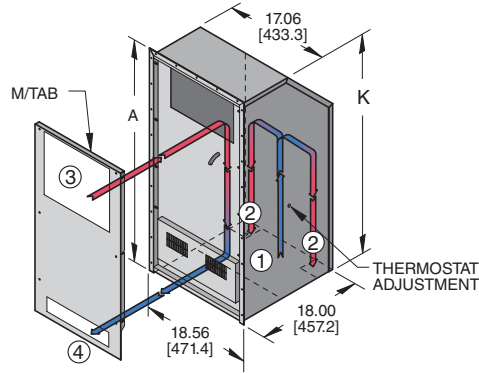
Dimensions, inches [metric], are for reference only and subject to change.
[†]UL/CUL Recognized models are available as Listed at added cost.

UNIT MUST BE 12" (300mm) MINIMUM ABOVE FLOOR FOR FILTER ACCESS

ENVIRONMENTAL CONTROLS INTEGRITY "38 & 47" SERIES AIR-COOLED SIDE-MOUNTED AIR CONDITIONERS

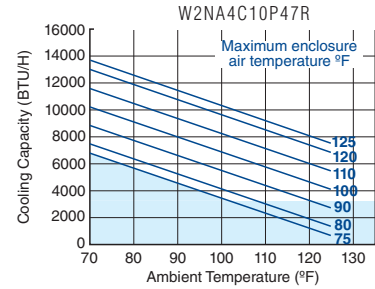
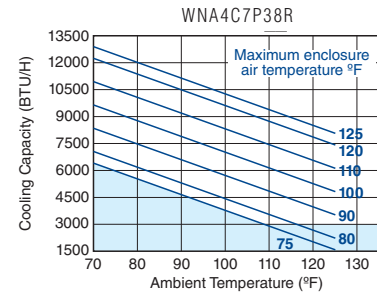


CANUS
NEMA
TYPE 4/4X
MAINTAINED



- ① FILTERED CONDENSER AIR INLET (Ambient Air In)
- ② CONDENSER OUTLET (Warm Ambient Air Out)
- ③ WARM AIR RETURN FROM ENCLOSURE
- ④ COOL AIR OUTLET TO ENCLOSURE

PERFORMANCE CHARTS



Operation within shaded areas not recommended.

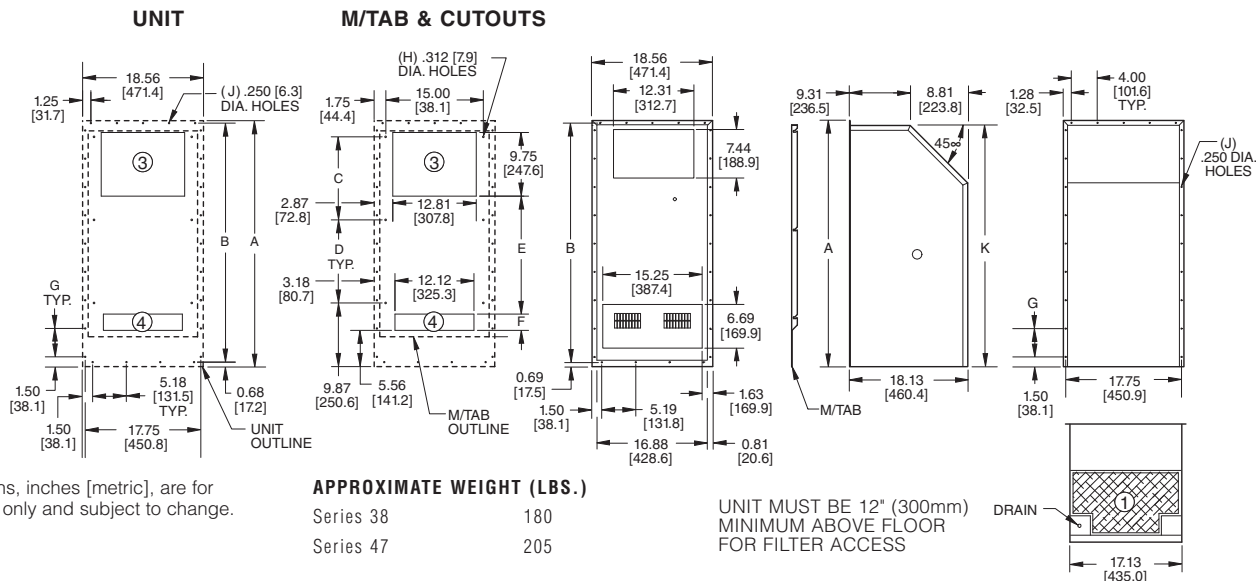
INTEGRITY SERIES 38 & 47 AIR-COOLED PANEL-MOUNTED AIR CONDITIONERS

MODEL	RATED CAPACITY (BTU/H)	95/95 RATING (BTU/H)	AMBIENT TEMP. °F MAX./MIN.	VOLTS	HZ	RUNNING AMPS	APPROX. WEIGHT (LBS.)
WNA4C7P38L	7000	6000	131/50	115/100	60/50	20	180
W2NA4C7P38L	7000	6000	131/50	230/200	60/50	9.3/9.9	180
W2NA4C10P47L	10000	7750	131/50	230/200	60/50	10.9/12.5	205

DIMENSIONS INCHES (METRIC)

MODEL	A	B	C	D	E
SERIES 38	37.75 (958.8)	36.69 (931.9)	12.75 (323.8)	12.75 (323.8)	18.12 (463.5)
SERIES 47	47.00 (1193.8)	45.93 (1166.6)	12.25 (311.1)	11.25 (285.7)	27.37 (695.1)
MODEL	F	G	H	J	K
SERIES 38	2.50 (63.5)	4.34 (110.2)	6.00 (152.4)	27.00 (685.8)	37.00 (939.8)
SERIES 47	2.50 (63.5)	4.00 (101.6)	8.00 (203.2)	33.00 (838.2)	46.25 (1174.7)

MOUNTING PLAN

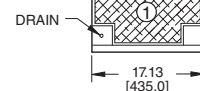


Dimensions, inches [metric], are for reference only and subject to change.

APPROXIMATE WEIGHT (LBS.)

Series 38	180
Series 47	205

UNIT MUST BE 12" (300mm) MINIMUM ABOVE FLOOR FOR FILTER ACCESS





NEMA 4/4X



NEMA 12

Industry Standards

UL Listed

NEMA 12, 4 or 4X

UL File E32576

FEATURES-SPECIFICATIONS**Applications**

Compressed air cooling is used where conventional enclosure cooling (air conditioners or heat exchangers) is not possible. Example: Small to medium size enclosures; nonmetallic enclosures; areas where the size of cooling devices is restricted.

Features

- Suitable for harsh environments
- Small physical size
- Creates cool air without refrigerants (no CFC's, HFC's)
- Exceptionally reliable—no moving parts
- Virtually no maintenance

Requirements

- Clean, dry, oil-free compressed air (100 PSIG/70°F or below) required

to achieve published BTU/hr. ratings. Lower pressures and higher temperatures will reduce BTU/hr. ratings

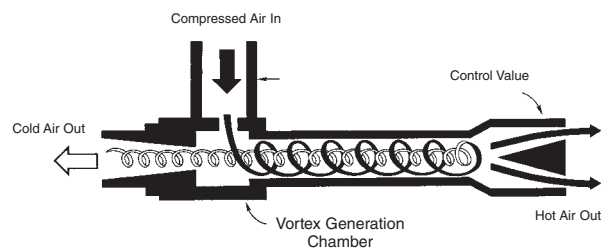
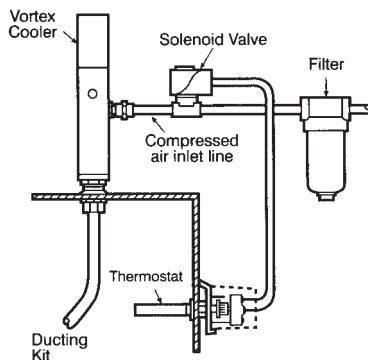
- A 5 micron water and particulate removal filter must be installed prior to operating any Vortex Cooler (included in kits)
- An oil removable filter can be installed between the 5 micron filter and the Vortex cooler if oil is present in the compressed air line
- Mounting holes:
 - NEMA 12 kits — (1) 1-3/32" (28mm) or 3/4" knockout hole for cooling tube and (1) 11/16" hole for thermostat
 - NEMA 4 & NEMA 4X kits — (1) 1-5/16" (49mm) or 1-1/2" knockout hole for cooling tube and (2) #8 holes for thermostat

Kit Includes the Following

- Vortex Cooling Tube
- Solenoid Valve 120V 60Hz – 110V 50 Hz (230V available)
- 5 micron water and particulate removal filter
- Ducting Kit
- Thermostat

How Enclosure Coolers Create Cold Air

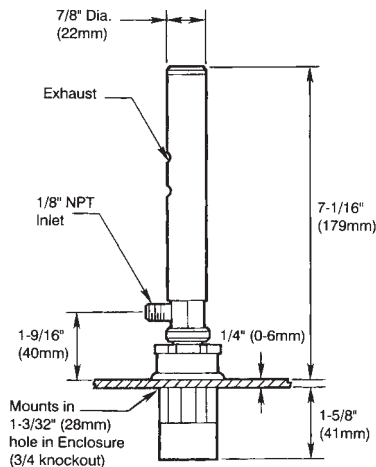
Vortex Coolers are powered by a vortex tube – a unique device that creates a vortex from compressed air and separates it into hot and cold airstreams. Here's how it works. The vortex tube's cylindrical generator causes the input compressed air to rotate, reaching speeds up to 1,000,000 rpm as it is forced down the inner walls of the hot, or longer end of the vortex tube. At the end of the hot tube, as small portion of this air exits through a needle valve as hot air exhaust. The remaining air is forced back through the center of the incoming air stream at a slower speed. The heat in the slower moving air is transferred to the faster moving incoming air. This super-cooled air flows through the center of the generator and exits through the cold air exhaust port.



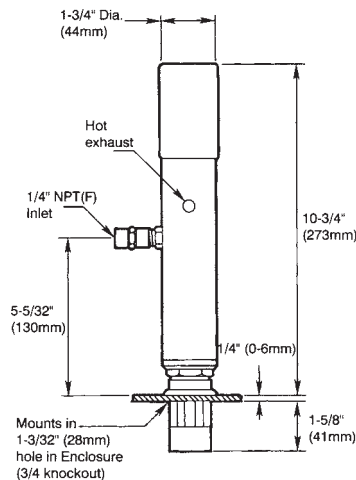


VORTEX COOLERS										
CATALOG NUMBER	CAPACITY		AIR CONSUMPTION			TUBE SURFACE TEMP AT BTU	THERMOSTAT MOUNTING	NEMA TYPE	UL TYPE	COOLING TUBE MATERIAL
	BTUH	KCAL/H	SCFM	SLPM	THERMOSTAT (FACTORY SET)					
W750400	400	101	8	227	90°F ± 2°	150°F	External	12	12	Aluminum
W740900	900	225	15	425	90°F ± 2°	150°F	External	12	12	Aluminum
W7901500	1500	378	25	708	90°F ± 2°	150°F	External	12	12	Aluminum
W7971700	1700	425	25	708	90°F ± 2°	150°F	Internal	4	4	Aluminum
W797SS1700	1700	425	25	708	90°F ± 2°	150°F	Internal	4X	4X	Stainless Steel

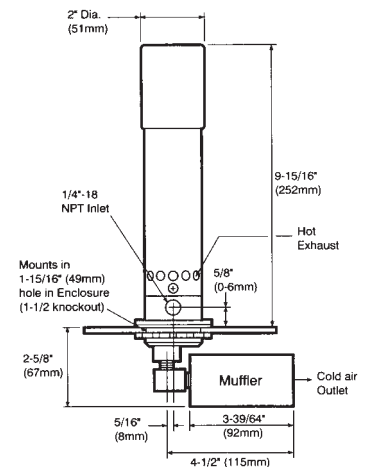
ACCESSORIES	
CATALOG NUMBER	FILTER TYPE AND SIZE
W38OILFILTER	Auto-drain oil removal filter, 3/8" NPT (F), rated to 25 SCFM/708 SLPM
W12OILFILTER	Auto-drain oil removal filter, 1/2" NPT (F), rated to 50 SCFM/1415 SLPM



Model W750400



Model W740900 & W7901500



Model W7971700 & W797SS1700

Note: Thermostats for Models W750400, W740900 and W7901500 mounts in an 11/16" (18mm) diameter hole.



FEATURES-SPECIFICATIONS

Applications

Used for enclosure cooling in low static pressure applications.

Features

- High airflow with low noise operation makes these versatile cooling fans very popular in a wide range of applications
- Reliable cooling is achieved particularly in areas with minimum space requirements
- The cooling system incorporates the filtered fan boxes as its air inlet, while the exhaust grille is the air outlet
- The washable aluminum filter grille and air filter is easily accessible and can be removed for cleaning
- Available in 115 VAC or 230 VAC 50/60 Hz versions
- Heavy gauge steel construction
- Attractive, ascetically appealing grille design
- All models can pressurize or exhaust
- Aluminum filter is coated with adhesive baffle surfaces for dust and dirt collection. Can be recoated after cleaning for optimum performance

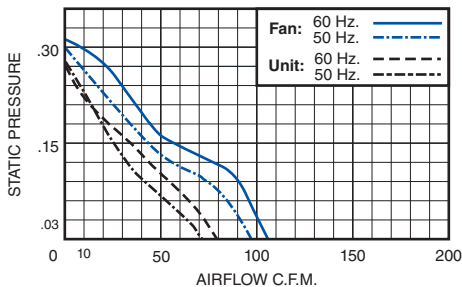
Note: One grille and filter are included with each fan package. Normally, an additional exhaust grille and filter required for each installation and must be ordered separately.

Accessories

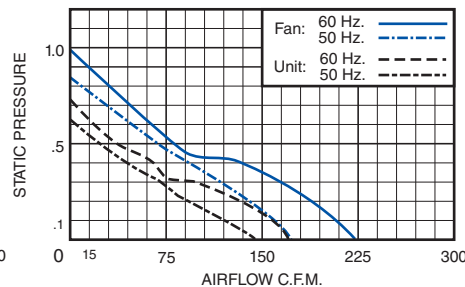
- Exhaust Grille and Filters (see page L25)
- Filter Coat

PERFORMANCE GRAPHS

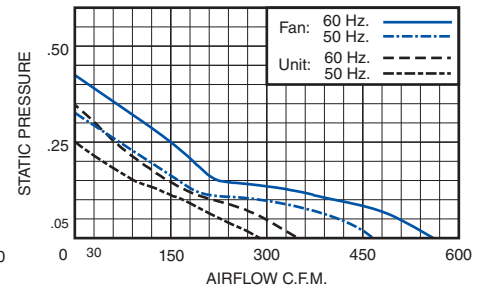
WPFB100



WPFB200



WPFB500

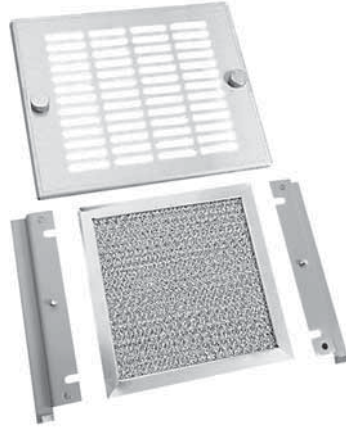


Static pressure is in inches of water.

**ENVIRONMENTAL CONTROLS
WPFB/WPFBE SERIES FILTERED BOX FANS & GRILLES**



“WPFB” Box Fan



“WPFBE” Exhaust Grille with Filter



Filter Coat

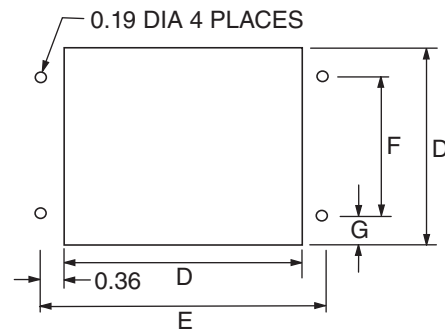
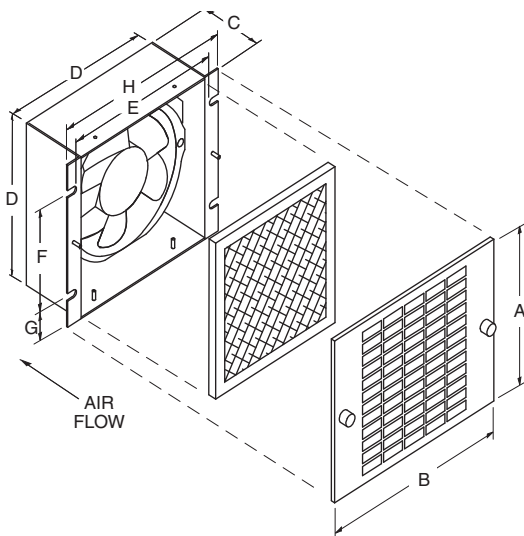
Industry Standards
UR, cUR, and CE recognized

FEATURES-SPECIFICATIONS

WPFB SERIES BOX FANS													
CATALOG NUMBER	FREE-FLOW AIR DELIVERY (CFM)	RATED VOLTAGE	NOMINAL (RPM)	RUNNING AMPS	WATTS	A	B	C	D	E	F	G	H
WPFB100115	105	115	3000	0.18	15	6.13 (156)	7.38 (188)	2.38 (61)	5.62 (143)	6.38 (162)	4.13 (105)	0.75 (19)	7.00 (178)
WPFB100230	105	230	3000	0.18	15	6.13 (156)	7.38 (188)	2.38 (61)	5.62 (143)	6.38 (162)	4.13 (105)	0.75 (19)	7.00 (178)
WPFB200115	210	115	3300	0.29	33	7.63 (194)	8.88 (226)	3.00 (76)	7.12 (181)	7.88 (200)	4.50 (114)	1.31 (33)	8.50 (216)
WPFB200230	210	230	3300	0.29	33	7.63 (194)	8.88 (226)	3.00 (76)	7.12 (181)	7.88 (200)	4.50 (114)	1.31 (33)	8.50 (216)
WPFB500115	560	115	1600	0.87	60	11.62 (295)	13.00 (330)	4.56 (116)	11.13 (283)	11.88 (302)	6.88 (175)	2.13 (54)	12.50 (318)
WPFB500230	560	230	1600	0.87	60	11.62 (295)	13.00 (330)	4.56 (116)	11.13 (283)	11.88 (302)	6.88 (175)	2.13 (54)	12.50 (318)

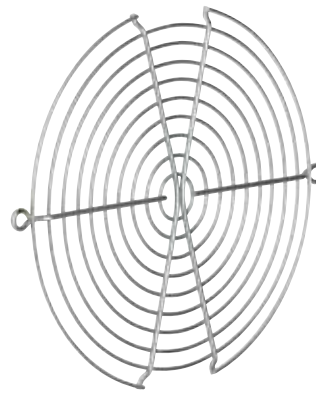
WPFBE SERIES EXHAUST GRILLES WITH FILTERS								
CATALOG NUMBER		A	B	D	E	F	G	W*
WITH FILTER	FILTER ONLY							
WPFBE100	WPFBM100	6.13 (156)	7.38 (188)	5.62 (143)	6.38 (162)	4.13 (105)	0.75 (19)	5.66 (144)
WPFBE200	WPFBM200	7.63 (194)	8.88 (226)	7.12 (181)	7.88 (200)	4.50 (114)	1.31 (33)	7.16 (182)
WPFBE500	WPFBM500	11.62 (295)	13.00 (330)	11.13 (283)	11.88 (302)	6.88 (175)	2.13 (54)	11.16 (283)

FILTER COAT	
CATALOG NUMBER	DESCRIPTION
WAX10	10 oz pump spray bottle





WA4AXFN



WAGARD6

FEATURES-SPECIFICATIONS

MUFFIN FANS & FINGER GUARDS

Applications

Designed for use in enclosures where space is limited and reliable cooling is required.

Features

- Fan furnished standard with 24" lead wire. 90 degree plug attached
- Black color
- Impeller and frame are glass reinforced thermoplastic, UL94-VO
- Die cast aluminum housing
- Finger guards are welded electroplated nickel chrome steel wire. Guards withstand 200 lbs. separation force to meet UL, CSA standards
- One finger guard and all mounting hardware is provided. Additional finger guards can be mounted on either side for maximum safety

WAXFN SERIES MUFFIN FANS & WAGARD SERIES FINGER GUARDS

CATALOG NUMBER		VOLTAGE RATING	RATED INPUT (WATTS)	FREQ (Hz)	RATED SPEED (RPM)	NOISE LEVEL	MAXIMUM AIR FLOW		MAXIMUM STATIC PRESSURE/H2O	DIMENSIONS H X W X D
FAN	FAN GUARD						(M3/MIN)	CFM		
WA4AXFN	WAGARD4	115	17/15	50/60	2500/3000	37 ± 2	2.5/3.1	88/110	5.8/7.0	4.71x4.71x1.50 (120x120x38)
WA4AXFN2	WAGARD4	230	17/15	50/60	3500/3000	37 ± 2	2.5/3.1	88/110	5.8/7.0	4.71x4.71x1.50 (120x120x38)
WA6AXFN	WAGARD6	115	26/35	50/60	2800/3500	46 ± 2	5.4/6.6	190/235	5.4/6.6	6.77x6.77x2.01 (172x172x51)
WA6AXFN2	WAGARD6	230	26/35	50/60	2800/3500	46 ± 2	5.4/6.6	190/235	5.4/6.6	6.77x6.77x2.01 (172x172x51)
WA10AXFN	WAGARD10	115	35	50/60	1650	55		547	10	10.00x10.00x3.50 (254x254x89)
WA10AXFN2	WAGARD10	230	33	50/60	1650	55		547	10	10.00x10.00x3.50 (254x254x89)

**ENVIRONMENTAL CONTROLS
WAVK, WAVK-SS & WAFLT LOUVER PLATE KITS & FILTER KITS**



WAVK0303SSA



WAFLT33

FEATURES-SPECIFICATIONS

LOUVER PLATE KITS

Description

Designed to provide ventilation or cooling in enclosures where excessive moisture or excessive internal heat is a problem. These kits are fabricated from 14 gauge steel and include all hardware for mounting. Kits are easily field installed by making a cutout of the proper size and attaching the louver plate in place. Finish is ANSI 61 gray polyester powder finish over phosphatized surfaces or 316 stainless steel. Filter kit must be ordered separately.

FILTER KITS FOR LOUVER PLATES KITS

Description

Designed for use with Louver Plate Kit. Mounting holes on filter brackets align with mounting holes on louver kits. Aluminum filters are good for stopping dust and dirt from penetrating the enclosures. Filters are designed to mount behind louver kits. Kit consists of aluminum filter, brackets and all necessary hardware for installation. Louver kit must be ordered separately.

WAVK SERIES LOUVER PLATE KIT AND WAFLT SERIES FILTER KITS FOR LOUVER PLATES												
LOUVER KIT PAINTED	CATALOG NUMBER		NUMBER OF LOUVERS	NUMBER OF LOUVER ROWS	LOUVER LENGTH	A	B	L	M	P	R	S
	LOUVER KIT 316 S.S.	FILTER KIT										
WAVK0203	WAVK0203SSA	—	3	1	2.00 (51)	3.25 (83)	3.25 (83)	2.00 (51)	2.00 (51)	2.50 (64)	2.50 (64)	—
WAVK0303	WAVK0303SSA	WAFLT33	3	1	3.00 (76)	3.87 (98)	4.50 (114)	2.62 (67)	3.25 (83)	3.12 (79)	3.75 (95)	—
WAVK0304	WAVK0304SSA	WAFLT34	4	1	3.00 (76)	4.75 (121)	4.50 (114)	3.50 (89)	3.25 (83)	4.00 (102)	3.75 (95)	—
WAVK0404	WAVK0404SSA	WAFLT44	4	1	4.00 (102)	5.62 (143)	5.50 (140)	4.37 (111)	4.25 (108)	4.87 (124)	4.75 (121)	—
WAVK0604	WAVK0604SSA	WAFLT64	8	1	3.00 (76)	5.62 (143)	7.50 (191)	4.37 (111)	6.25 (159)	4.87 (124)	6.75 (171)	—
WAVK0606	WAVK0606SSA	WAFLT66	12	1	3.00 (76)	7.87 (200)	7.50 (191)	6.62 (168)	6.25 (159)	7.12 (181)	6.75 (171)	3.56 (90)
WAVK0806	WAVK0806SSA	WAFLT86	12	2	4.00 (102)	8.18 (208)	9.50 (241)	6.93 (176)	8.25 (210)	7.43 (189)	8.75 (222)	3.71 (94)
WAVK0808	WAVK0808SSA	WAFLT88	16	2	4.00 (102)	10.56 (268)	9.50 (241)	9.31 (236)	8.25 (210)	9.81 (249)	8.75 (222)	4.90 (124)
WAVK0812	WAVK0812SSA	WAFLT812	24	2	4.00 (102)	15.31 (389)	9.50 (241)	14.06 (357)	8.25 (210)	14.56 (370)	8.75 (222)	7.28 (185)

Note: Center holes (dimension "S") are not needed on any filter kits. Only 6 x 6 and larger louver kits require center holes.

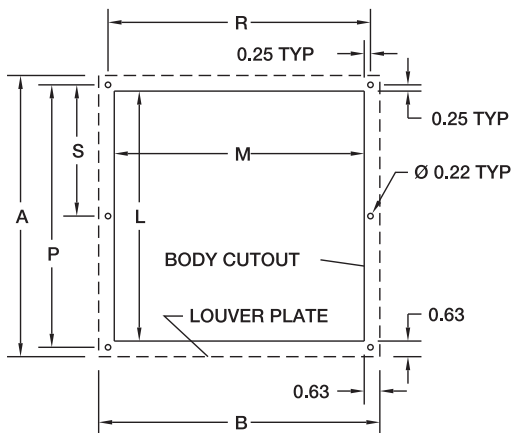
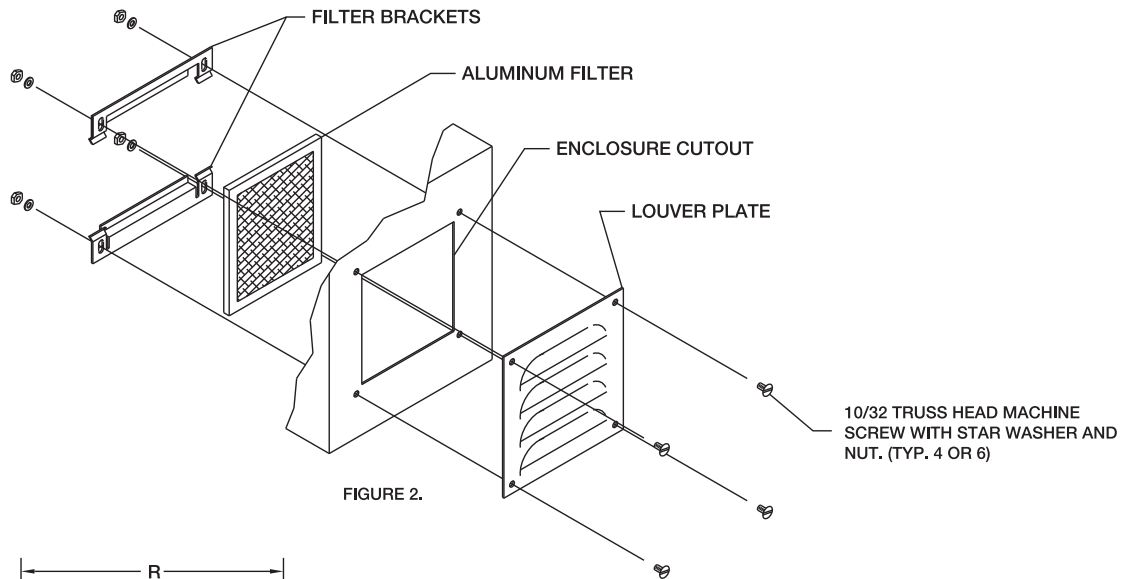


FIGURE 1

Notes:

Installation Instructions

1. Make sure the proper louver kit and/or filter kit has been ordered.
2. Locate and mark holes and cutout as shown in figure 1.
3. Drill holes using a 7/32" drill bit making sure there are no electrical wires or internal components in the way.
4. Assemble louver kits and/or filter kits as shown in figure 2.

Note: After installation is complete, make sure louver and filter kits do not interfere with any internal or external equipment.



EHG030

Industry Standards

UL Recognized Component
cUL Recognized Component
CE Recognized

FEATURES-SPECIFICATIONS

Applications

Designed to provide enclosed electronic, pneumatic, hydraulic, and mechanical equipment with protection from low temperatures, condensation, and corrosion.

Features

- Positive Temperature Coefficient heater unit maintains a stable temperature environment within enclosure,

allowing critical components to perform with consistent reliability for longer periods

- Expanded voltage range of 110V to 230V
- Heating body is extruded, black anodized, aluminum
- Easily installed by clip mounting on 35mm DIN rails
- Connection: Push-type terminals

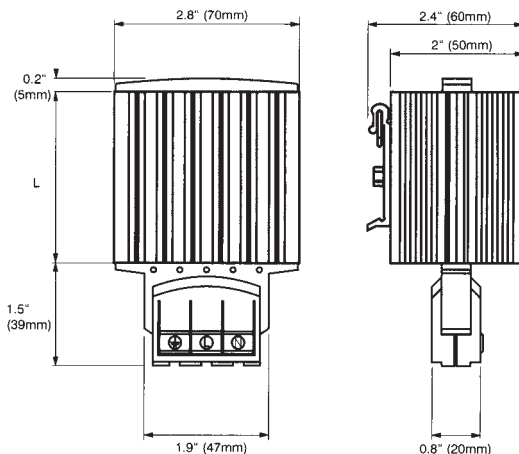
- Max surface temperature of heater is 194°F
- Protection Class: 1 (tested for grounding at 1,600V)
- CAUTION—Do not mount on wooden structures. Avoid placement near heat-sensitive components

Accessories

- Thermostats (see pages K33-K34)

EHG SERIES ENCLOSURE RADIANT HEATERS				
CATALOG NUMBER	WATTS*	RATED VOLTAGE	Hz	DIMENSIONS H X W X D
EHG015	15	110 - 250	50/60	2.60x2.80x2.00 (65x70x50)
EHG030	30	110 - 250	50/60	2.60x2.80x2.00 (65x70x50)
EHG045	45	110 - 250	50/60	2.60x2.80x2.00 (65x70x50)
EHG060	60	110 - 250	50/60	5.50x2.80x2.00 (140x70x50)
EHG075	75	110 - 250	50/60	5.50x2.80x2.00 (140x70x50)
EHG100	100	110 - 250	50/60	5.50x2.80x2.00 (140x70x50)
EHG150	150	110 - 250	50/60	8.70x2.80x2.00 (220x70x50)

**Due to the nature of PTC heaters, the actual power rating of the heater can be up to 10% lower, or 5% higher than the nominal power rating at 68°F (20°C) ambient temperature.*





WHVL031100120

Industry Standards

- UL Recognized Component
- cUL Recognized Component
- CE Recognized

FEATURES-SPECIFICATIONS

Applications

Used when larger heating capacities or internal forced air circulation is required and space is limited.

Features

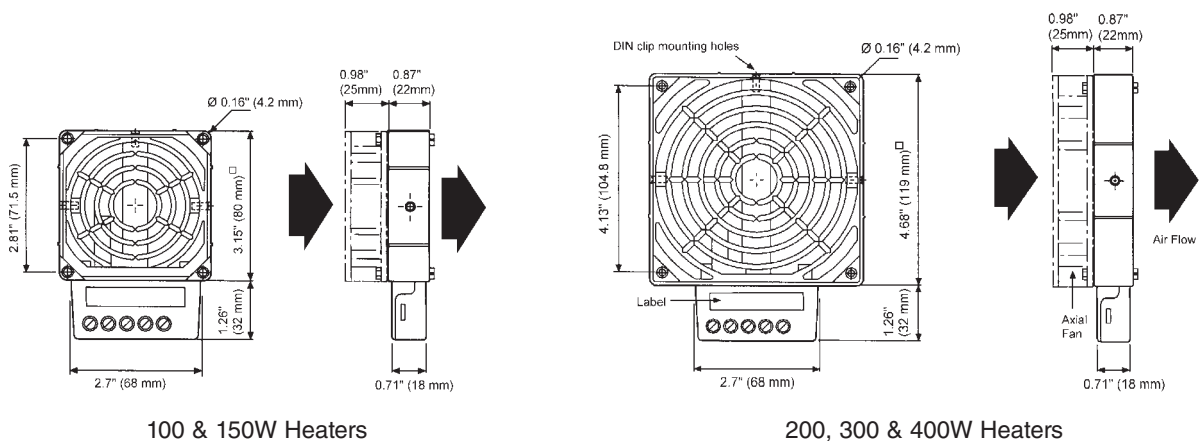
- Compact design to prevent condensation or maintain minimum temperature in enclosures
- Cartridge heater heating element
- 50,000 hour life expectancy at 77°F ambient
- Connection: 5 pole terminal for max. 14 AWG
- Easily installed by clip mounting on 35mm DIN rails
- Protection class 1 (tested for grounding at 1,500 V)
- Heater comes fully assembled with fan

- CAUTION—Do not mount on wooden structures. Avoid placement near heat-sensitive components. Note that fan must be used in conjunction with heating element

Accessories

- Thermostats (see pages K33-K34)
- Also available in 230 V

WHVL SERIES ENCLOSURE FAN HEATERS					
CATALOG NUMBER	RATED VOLTAGE	WATTS	OPERATING CURRENT (AMPS)	MAXIMUM TEMPERATURE WITH FAN	DIMENSIONS H X W X D
WHVL031100120	120	100	0.89	250°F (120°C)	1.85x3.15x4.41(47x80x112)
WHVL031150120	120	150	1.30	320°F (160°C)	1.85x3.15x4.41(47x80x112)
WHVL031200120	120	200	1.79	250°F (120°C)	1.85x4.68x5.94(47x119x151)
WHVL031300120	120	300	2.62	320°F (160°C)	1.85x4.68x5.94(47x119x151)
WHVL031400120	120	400	3.45	360°F (180°C)	1.85x4.68x5.94(47x119x151)



100 & 150W Heaters

200, 300 & 400W Heaters



WCR027350120

Industry Standards

UL Recognized Component
cUL Recognized Component
CE Recognized

FEATURES-SPECIFICATIONS

Applications

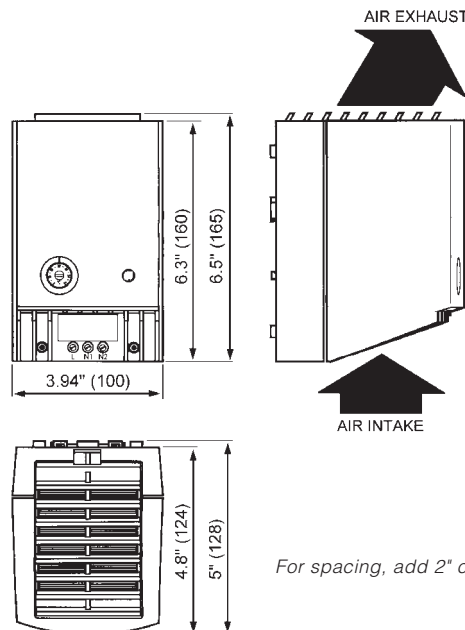
Designed to protect sensitive mechanical, electrical, and electronic equipment from the harmful effects of condensation, corrosion, and low temperatures. Thermostatically controlled fan-driven heater units maintain a stable temperature with enclosure so critical components can perform more reliably over a longer period of time.

Features

- Positive Temperature Coefficient (PTC) semiconductor heating element, self regulating and temperature limiting
- Adjustable thermostat
- LED lamp for optical indication of function
- Durable, non-metallic plastic housing, UL94-VO

- Connection: 2 - pole terminal, max. AWG 14
- Easily installed by clip-mounting on 35mm DIN rail
- CAUTION—Do not mount on wooden structures. Avoid placement near heat-sensitive components

WCR SERIES FAN HEATERS							
CATALOG NUMBER	RATED VOLTAGE	WATTS	MAX. AMPS (INRUSH CURRENT)	THERMOSTAT ADJUSTABLE FROM	AXIAL FAN BALL BEARING	TEMPERATURE SCALE	DIMENSIONS H X W X D
WCR027350120	120	550	11A	32-140°F (0-60°C)	20 CFM	Fahrenheit	6.50x3.94x5.00 (165x100x128)
WCR027350230	230	400	13A	32-140°F (0-60°C)	20 CFM	Celsius	6.50x3.94x5.00 (165x100x128)
WCR027550120	120	650	14A	32-140°F (0-60°C)	26 CFM	Fahrenheit	6.50x3.94x5.00 (165x100x128)
WCR027550230	230	550	15A	32-140°F (0-60°C)	26 CFM	Celsius	6.50x3.94x5.00 (165x100x128)



For spacing, add 2" clearance for heat sensitive parts



EGL250-120

Industry Standards

- UL Recognized Component
- cUL Recognized Component
- CE Recognized
- VDE Approval

FEATURES-SPECIFICATIONS

Applications

- Use when larger heating capacities or internal forced air circulation is required.
- Designed to prevent condensation or maintain minimum temperature in enclosures.

Features

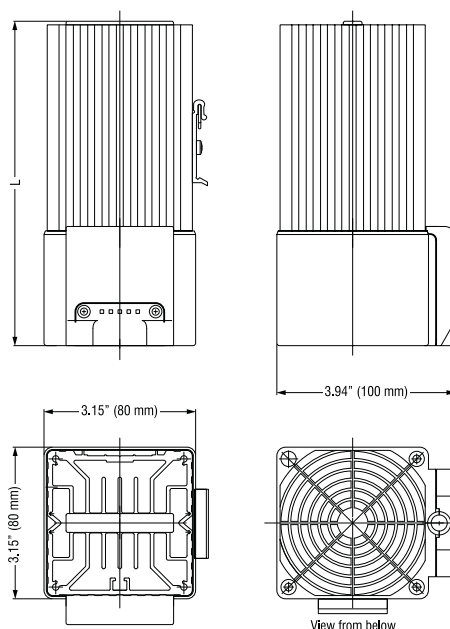
- Heating element is micanite with fail safe thermostat
- Silver, anodized aluminum extruded body
- Ball bearing life expectancy is 50,000 hrs. at 77°F (20°C)
- Connection: 3 pole terminal for AWG 16 max, with strain relief

- Easily installed by clip mounting on 35mm DIN rails
- CAUTION—Do not mount on wooden structures. Avoid placement near heat-sensitive components

Accessories

- Thermostats (see pages K33-K34)

EGL SERIES FAN HEATERS							
CATALOG NUMBER	RATED VOLTAGE	WATTS	STARTING AMPS	SURFACE TEMPERATURE	AXIAL FAN	CIRCULATION POWER	DIMENSIONS H X W X D
EGL250-120	120	250	2.2	167°F	Ball Bearing	32 CFM Free Blowing	7.20x3.15x3.94 (182x80x100)
EGL250	230	250	1.1	167°F	Ball Bearing	26 CFM Free Blowing	7.20x3.15x3.94 (182x80x100)
EGL400-120	120	400	3.5	167°F	Ball Bearing	32 CFM Free Blowing	8.70x3.15x3.94 (222x80x100)
EGL400	230	400	1.7	167°F	Ball Bearing	26 CFM Free Blowing	8.70x3.15x3.94 (222x80x100)



For spacing, add 2" clearance for heat sensitive parts



ETR202



ETR202F



ZR011

- Two thermostats in one unit
 - one Normally Closed (NC) and one Normally Open (NO)
 - or two Normally Open (NO)
- Each with wide adjustable temperature range
- Available with °F or °C scale
- DIN rail mountable

Industry Standards

UL Recognized Component
cUL Recognized Component
CE Recognized
CSA Rated

FEATURES-SPECIFICATIONS

Applications

ETR202C and ETR202F

- Designed to provide air temperature control and monitoring in switch gear enclosures that are set up to operate with heaters, fans, filter ventilators, heat exchangers, and/or signal transmitters.
- When the enclosure reaches the pre-determined set point, temperature contacts in the thermostat are activated and the fan or heater automatically begins to operate.
- Thermostats prolong the life expectancy of heaters and fans by curtailing their operating hours and also increase the working efficiency of electrical components by exposing them to fewer contaminants from the surrounding environment.

ZR011

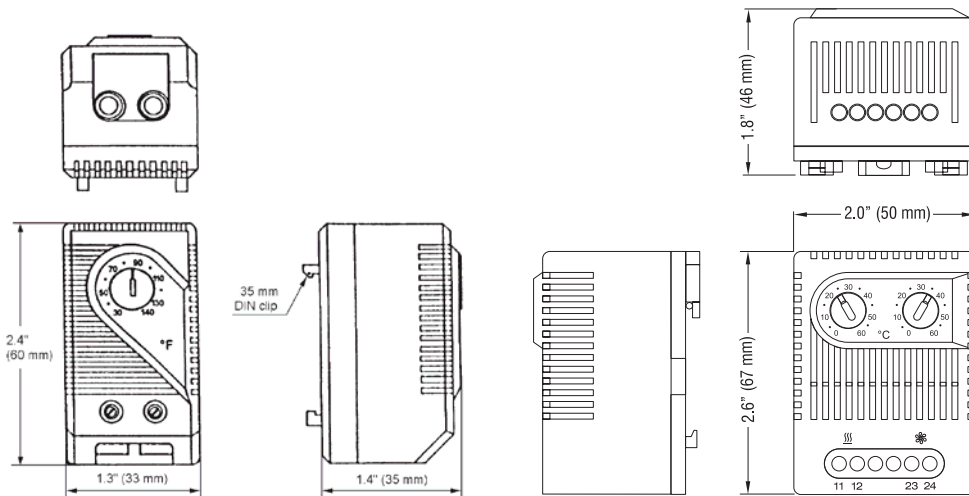
- The ZR011 houses two separate thermostats, allowing the independent control of heating and cooling or other equipment. Both thermostats offer wide adjustment ranges and are color coded for easy function recognition.
- Switching capacity:
NC: 10A resistive/2A inductive @ 250 VAC
NO: 5A resistive/2A inductive @ 250 VAC DC 30W

Features

- Normally Closed Thermostat—For the control of fan heaters and heaters
- Normally Open Thermostat—For the control of cooling units, fans, filter ventilators or switching, or signal transmitters in the event of overheating
- Available in Fahrenheit or Celsius scale
- Thermostatic bi-metallic sensor element
- Easily installed by clip mounting on 35mm or 38mm DIN rails

- Housing made from gray flame retardant UL94-VO plastic
- Connection: 2 pole terminal for max. 14 AWG
- Switching Difference (hysteresis): 12°F (7°C)
- Switching Capacity: 15 A (2) AC 120V, 10 A (2) AC 250V, 10A 12V DC, 5A 24V DC

ETR & ZR SERIES THERMOSTATS					
CATALOG NUMBER	TEMP. SCALE	TEMP. RANGE	SWITCHING	FOR PRODUCT TYPE	DIMENSIONS H X W X D
ETR202F	Fahrenheit	32-140°F	Normally Closed	Heating	2.40x1.30x1.40 (60x33x35)
ETR202	Celsius	0-60°C	Normally Closed	Heating	2.40x1.30x1.40 (60x33x35)
ETR201F	Fahrenheit	32-140°F	Normally Open	Cooling	2.40x1.30x1.40 (60x33x35)
ETR201	Celsius	0-60°C	Normally Open	Cooling	2.40x1.30x1.40 (60x33x35)
ZR 011F	Fahrenheit	32-140°F	Normally Closed/ Normally Open	Heating/Cooling	2.60x2.00x1.80 (67x50x46)
ZR 011C	Celsius	0-60°C	Normally Closed/ Normally Open	Heating/Cooling	2.60x2.00x1.80 (67x50x46)





ETF-3000

Industry Standards

UL Recognized Component
cUL Recognized Component
CE recognized

FEATURES-SPECIFICATIONS

Applications

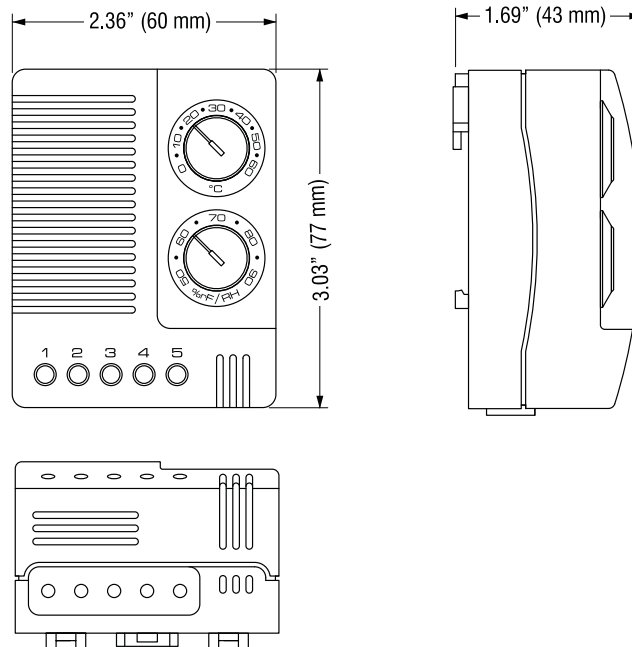
- Designed to provide both air temperature and humidity control as well as monitoring in electrical and electronic enclosures.
- Highly effective in ATM's, parking control gates, ticket dispensers and traffic control systems where equipment is exposed to wide range of outdoor elements.

Features

- Independently senses the relative humidity and temperature. Resistive and inductive loads (heaters or Filterfans™) can be switched
- 100,000 cycle life expectancy
- LED lamp for optical indication of function

- Durable, non metallic plastic gray housing, UL94-VO
- Easily installed by clip mounting on 35mm DIN rail
- Switching capacity: 8A(4) AC 240V, 0.8A DC 48V, 8A DC 24V

ETF SERIES FAN HEATERS							
CATALOG NUMBER	OPERATING VOLTAGE	TEMPERATURE SCALE	SWITCHING DIFFERENCE (HYSTERESIS)	RESPONSE TIME (SECONDS)	TEMPERATURE RANGE	RELATIVE HUMIDITY RANGE	DIMENSIONS H X W X D
ETF3000120F	120	Fahrenheit	Approx. 3.6°F (2°K)	Approx. 160	32-140°F	50 to 90%	2.64x1.97x1.54 (67x50x39)
ETF3000	230	Celsius	Approx. 3.6°F (2°K)	Approx. 160	0-60°C	50 to 90%	2.64x1.97x1.54 (67x50x39)





STFX05

FEATURES-SPECIFICATIONS

Applications

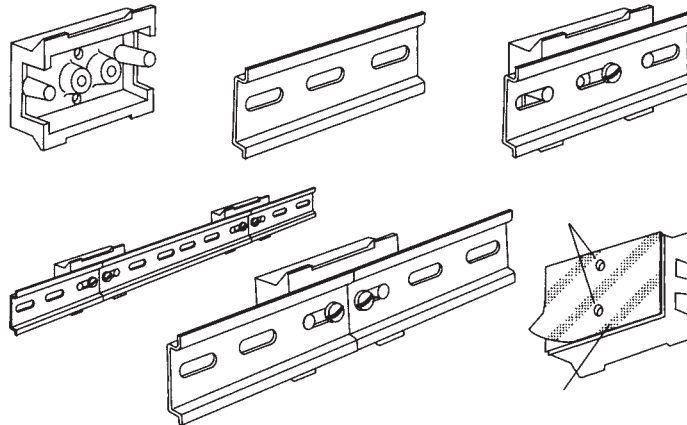
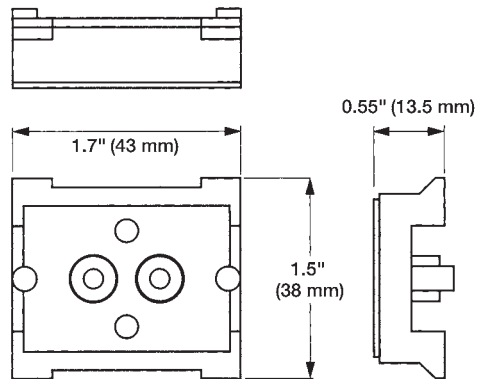
Effective substitute for DIN rail or "Unistrut". Multipurpose mounting device which allow the mounting of small DIN rail mountable appliances reducing time and labor.

Features

- Provides direct snap-in mounting for thermostats, time relays, small heaters, terminals, and other appliances with DIN rail mounting or by the use of screw holes
- Manufactured from black UL94-VO polyamide material
- Included self adhesive bears continuous loads of 1.1 lbs. (after 24 hours)
- Holes for screw mounting are provided for heavy applications

STFX SERIES UNIVERSAL THERMOSTAT MOUNT				
CATALOG NUMBER	HOLDING CAPACITY	PACKAGE QUANTITY*	TEMP. RANGE OF MOUNTING MATERIAL	DIMENSIONS H X W X D
STFX05	.44 lbs. (200g) initially 1.1 lbs. (500g) after 24 hour curing period	5	-22-131°F (-30-55°C)	1.50x1.70x.55 (38x43x14)

*Sold in package quantity only





WAFMP4

FEATURES-SPECIFICATIONS

Fan Mounting Plate

Description

Designed to mount a fan and louver kit together. This fan mounting plate kit consists of a fan mounting plate, filter and all necessary hardware for installation. When ordering a fan mounting plate, you will need to order a fan, louver kit and a fan guard. Fans, louver kits and fan guards must be ordered separately.

WAFMP SERIES FAN MOUNTING PLATE			
CATALOG NUMBER			
FAN, FILTER & LOUVER MOUNTING PLATE KIT	FAN*	LOUVER KIT PAINTED**	FAN GUARD ***
WAFMP4	WA4AXFN	WAVK0606	WAGARD4
WAFMP4	WA4AXFN2	WAVK0606	WAGARD4
WAFMP6	WA6AXFN	WAVK0806	WAGARD6
WAFMP6	WA6AXFN2	WAVK0806	WAGARD6
WAFMP10	WA10AXFN	WAVK0812	WAGARD10
WAFMP10	WA10AXFN2	WAVK0812	WAGARD10

*See page K26 for information on fans.

**See page K27 for information on louver kits.

***See page K26 for information on guards.

Note: Fan guard, fan and louver plate are not included in kit. Order separately.

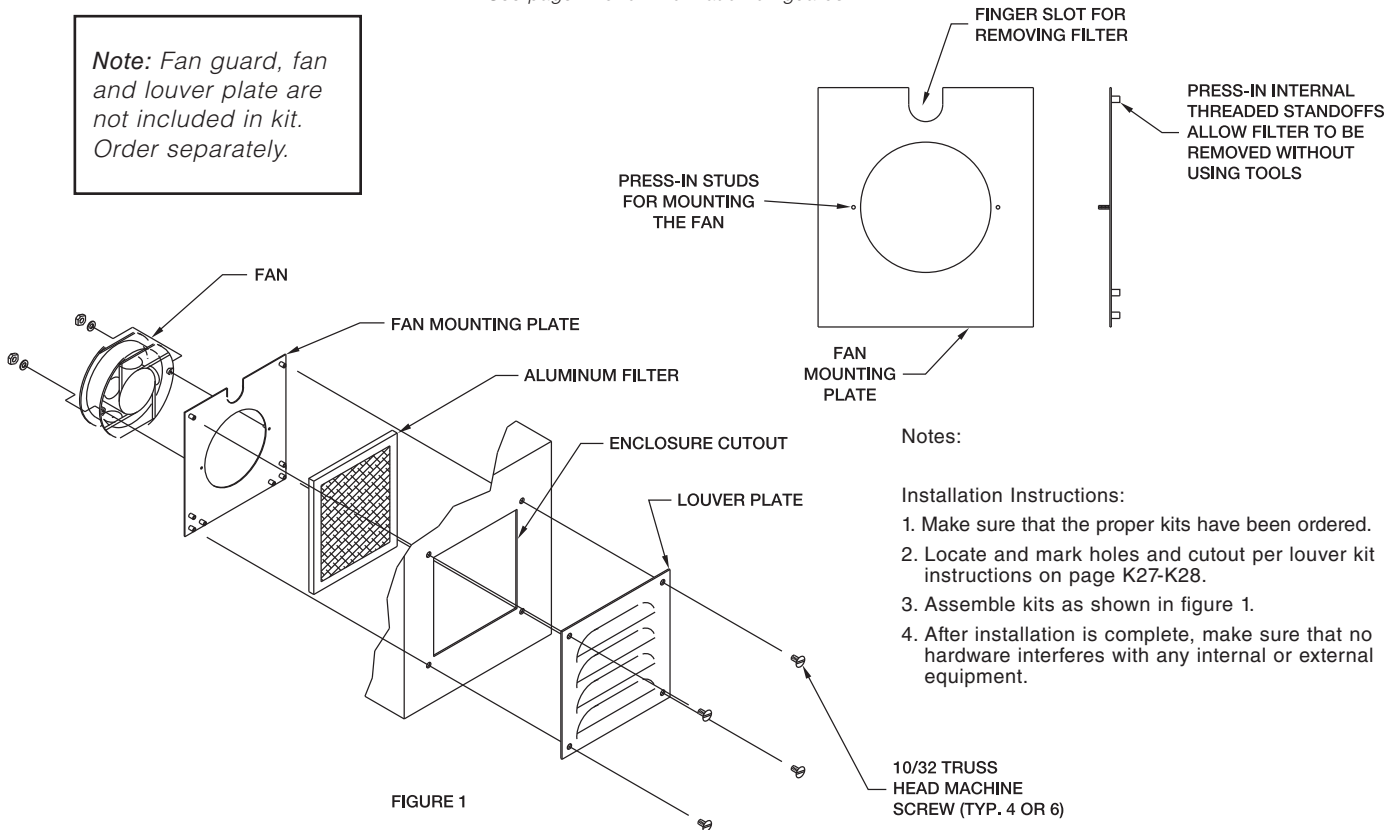


FIGURE 1





SERIES 1803



SERIES 1800, 1801, 1802



 **Industry standards**
 IP54
 IP55 (with fine filter mat)
 UR Recognized component

FEATURES-SPECIFICATIONS

Application

- The latest passive technology for fan cooling and pressurizing of industrial enclosures
- Filtered passive ventilation can be provided by an exhaust filter for either convection cooling or in combination with a fan in forced air cooling

Features

- All four models are available in 120 and 230 volt with an expected service life of 50,000 hours
- Self-adhesive seal on mounting frame prevents dust and water from entering the enclosure

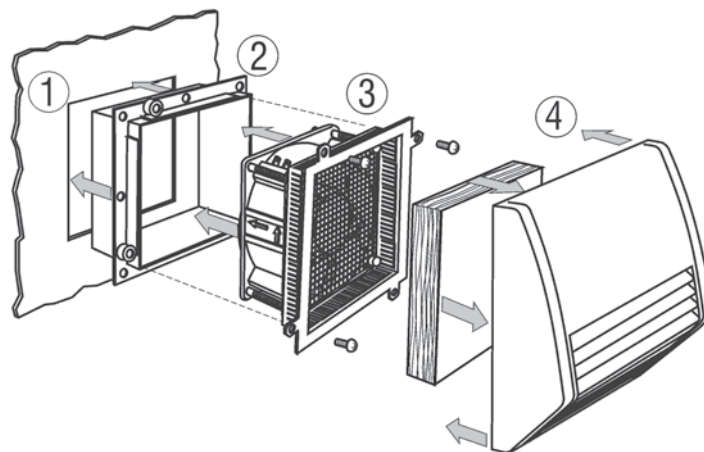
- The functional design of the intake exhaust fan hoods minimize direct infiltration of falling water
- By simply turning the axial fan, the direction of the airflow can be changed by 180 degrees
- Air Channeling makes the filter fan particularly quiet in operation
- Plastic self-extinguishing UL94-V0 and temperature resistant -31°F to 158°F
- Durable, reusable medium filter mat included
- RAL7035 Light Gray Finish
- Ball Bearing Axial Fan with plastic impeller UL94V-01. 2 lead wires 4" long (pressure clamps inclusive)

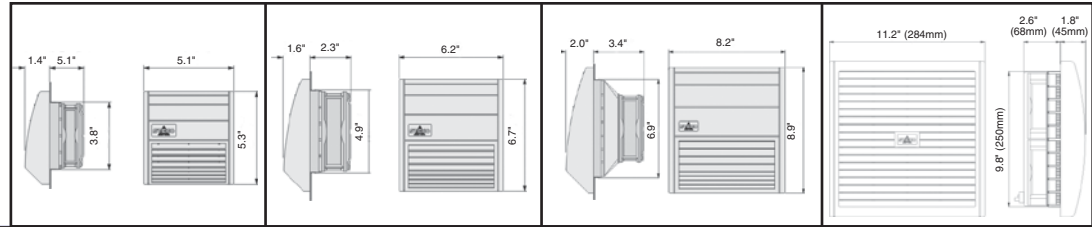
Time-Saving Steps

1800 Series Fans can be easily connected and installed from the outside of the cabinet.

1. Remove protective film from the sealing strips provided on the mounting frame
2. Insert mounting frame into enclosure cutout.
3. Terminate the axial fan with push type connectors and slide the unit into the mounting frame.
4. Insert the Filter Mat and snap on the protective Hood.

Time-Saving Assembly and Maintenance





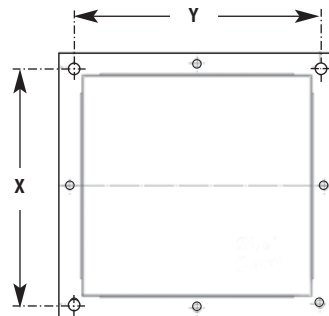
1800 SERIES FILTER FAN				
Catalog No. (for 120V 60Hz)	W01800120-4	W01801120-5	W01802120-7	W01803120-10
Catalog No. (for 230V 50Hz)	W01800230-4	W01801230-5	W01802230-7	W01803230-10
Filter mat: Medium grade	350 g/m ² , filtering degree 83%, Particle < 10 μm, G4(EN779)			
Air volume				
free blowing:	12 cfm (21 m ³ /h)	35 cfm (55 m ³ /h)	60 cfm (102 m ³ /h)	176 cfm (300 m ³ /h)
with exhaust filter:	9 cfm (16 m ³ /h)	24 cfm (42 m ³ /h)	40 cfm (68 m ³ /h)	135 cfm (230 m ³ /h)
Current consumption 120V	160 mA	180 mA	180 mA	400 mA
230V	80 mA	100 mA	100 mA	700 mA
Power consumption 120V	13W	15W	15W	60W
230V	13W	15W	15W	60W
Average noise level at 3 ft				
DIN EN ISO 9614-2	31 dB (A)	40 dB (A)	39 dB (A)	53 dB (A)
Mounting depth	1.8" (45 mm)	2.3" (58 mm)	3.4" (86 mm)	2.6" (65 mm)
Enclosure cut-out	3.8" x 3.8" (97 x 97mm +0.4)	4.9" x 4.9" (125 x 125mm +0.4)	6.9" x 6.9" (176 x 176mm +0.4)	9.84" x 9.84" (250 x 250mm)
Weight	1.2 lbs (0.54 kg)	2.2 lbs (1.0 kg)	4.2 lbs (1.9 kg)	7.7 lbs (3.5 kg)
120V / 60Hz models have increased air volume performance of approx. 15%				

1800 SERIES EXHAUST GRILLE & FILTER				
Catalog No.	W11800F-4	W11801F-5	W11802F-7	W11803F-10
Filter mat: Medium grade	350 g/m ² , filtering degree 94%, Particle Ø to 10 μm, G4 (DIN 24185)			
Mounting depth	0.6" (16 mm)	0.6" (16 mm)	0.6" (16 mm)	9" (22 mm)
Enclosure cut-out	3.8" x 3.8" (97 x 97mm +0.4)	4.9" x 4.9" (125 x 125mm +0.4)	6.9" x 6.9" (176 x 176mm +0.4)	9.8" x 9.8" (250 x 250mm +.4)
Weight	0.6 lbs (0.27 kg)	0.8 lbs (0.38 kg)	1.3 lbs (0.60 kg)	2.1 lbs (95 kg)

REPLACEMENT FILTER MATS*				
Medium filter (G4)	MM08600-4	MM08601-5	MM08602-7	MM08608-10
Fine filter (F5)	FM08603-4	FM08604-5	FM08605-7	FM08609-10

*Box of (3)

MOUNTING FRAME	HOLE CENTERS FOR ATTACHING WITH SCREWS - HOLE Ø 1/8" (3MM)			
	X = 4.3" (109 mm)	X = 5.4" (137 mm)	X = 7.4" (188 mm)	X = 10.4" (264 mm)





WPF10-115BK

Industry Standards

UR, cUR, and CE recognized
IP43
(IP54 with optional WPFG Series gasket)

FEATURES-SPECIFICATIONS

Applications

- Most innovative technology for fan cooling and pressurizing of industrial enclosures
- Provides a high quality, economical method of cooling enclosures
- Filtered passive ventilation can be provided by an exhaust filter for either convection cooling or in combination with a fan in forced air cooling
- Slim line design allows grille to protrude from enclosure surface less than one quarter inch
- Maintains aesthetics of enclosure

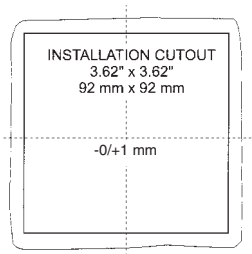
Features

- All models are 115V with an expected service life of 30,000 hours
- High performance fan motors and finger guards
- Polycarbonate fire retardant plastic grilles, UL94-VO
- Durable, reusable filter mat included
- Grilles are available in black or beige
- Patented "Click and Fit" system allows for rapid filter fan and exhaust filter installation without screws; this time saving feature will cut installation time by up to 30 minutes from traditional box fan packages

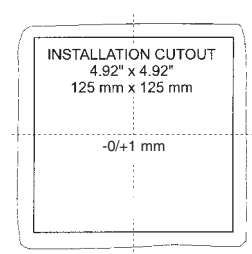
- Cutout template provided with every unit
- Fan or exhaust filter simply snaps into cutout opening
- Connector type: WPF10 Series 2, 12" wires. WPF20 – WPF60 Series terminal strip

Accessories

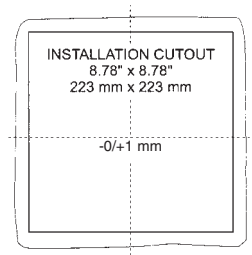
- Exhaust Filters
- Gaskets (WPFG Series) recommended if installing on enclosure with textured finish (only WPF10)
- Replacement Filters



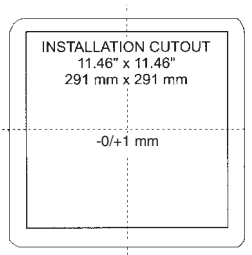
WPF10



WPF20



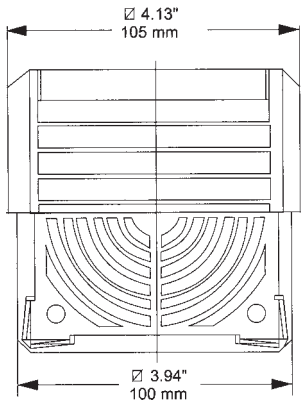
**WPF25
WPF30**



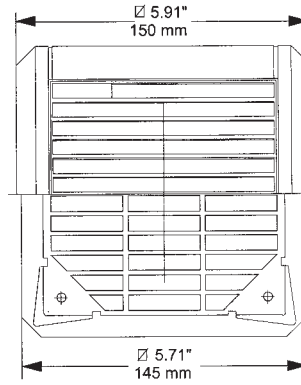
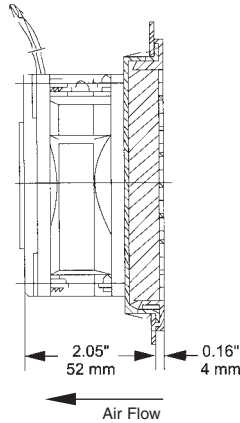
**WPF50
WPF60**

CATALOG NUMBER		RATED VOLTAGE	FREE FLOW AIR DELIVERY (CFM)*	AIR DELIVERY W/EXHAUST (CFM)	MAX. STATIC PRESSURE (PA)	AMBIENT TEMP. DEGREE F MAX/MIN	FILTER DENSITY (G/M2)	FILTERING LEVEL	SOUND LEVEL (DB)	REQUIRED CUT OUT DIMENSION
BLACK GRILLE	BEIGE GRILLE									
WPF10-115BK	WPF10-115	115V	16.22	10.12	29.00	140/14	150.00	67%	39	3.62x 3.62 (92x92)
WPF20-115BK	WPF20-115	115V	37.95	28.41	69.00	122/14	350.00	83%	49	4.92x 4.92 (125x125)
WPF25-115BK	WPF25-115	115V	88.67	62.29	57.00	122/14	350.00	83%	55	8.78x 8.78 (223x223)
WPF30-115BK	WPF30-115	115V	168.59	142.14	89.00	122/14	350.00	83%	55	8.78x 8.78 (223x223)
WPF50-115BK	WPF50-115	115V	312.11	236.90	205.00	122/14	350.00	83%	69	11.46x11.46 (291x291)
WPF60-115BK	WPF60-115	115V	423.09	304.64	225.00	122/14	350.00	83%	71	11.46x11.46 (291x291)

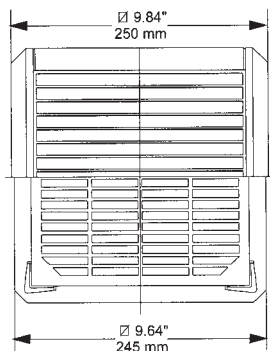
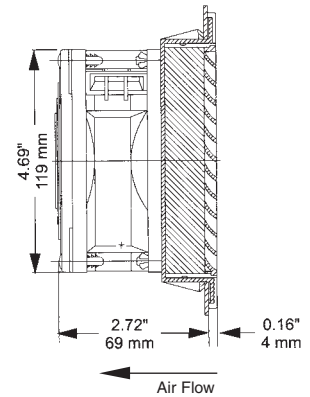
*Add 15% for operation @ 60Hz



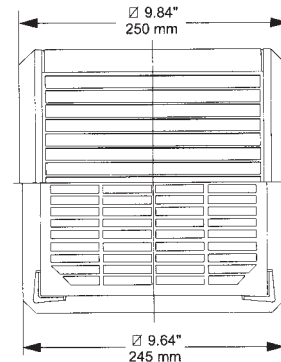
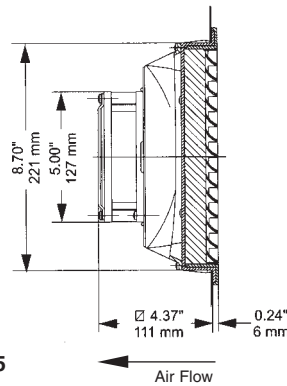
WPF10



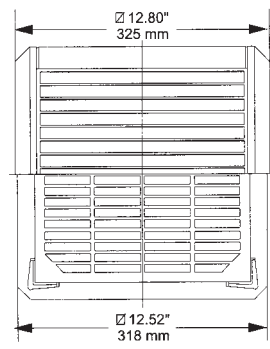
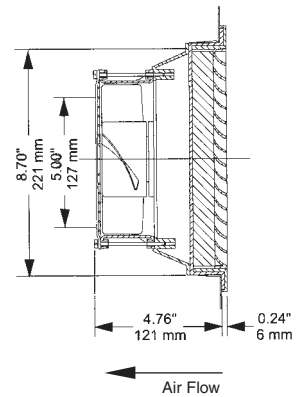
WPF20



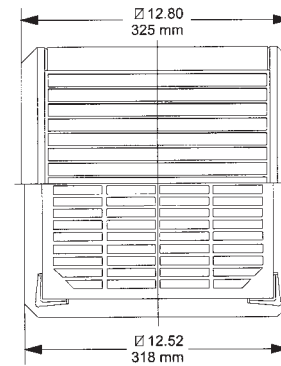
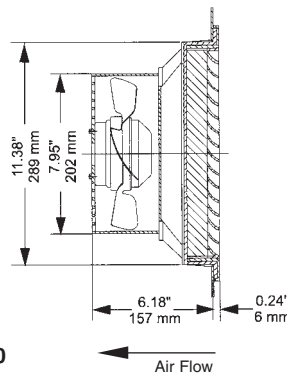
WPF25



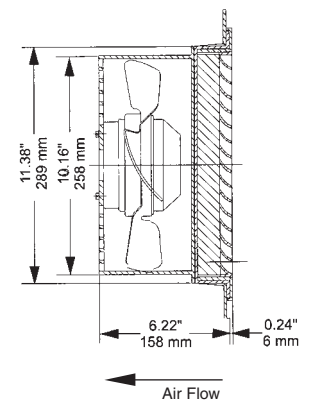
WPF30



WPF50



WPF60



**ENVIRONMENTAL CONTROLS
WPFA SERIES EXHAUST GRILLE WITH FILTER**



WPFA10BK



WPFA10

Industry Standards

IP43

(IP54 with optional WPFG Series gasket)

FEATURES-SPECIFICATIONS

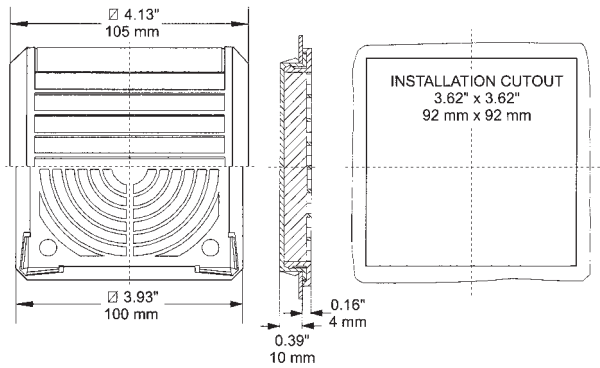
Applications

- Polycarbonate fire retardant plastic grilles, UL94-VO
- Durable, reusable filter mat included
- Grilles are available in black or beige

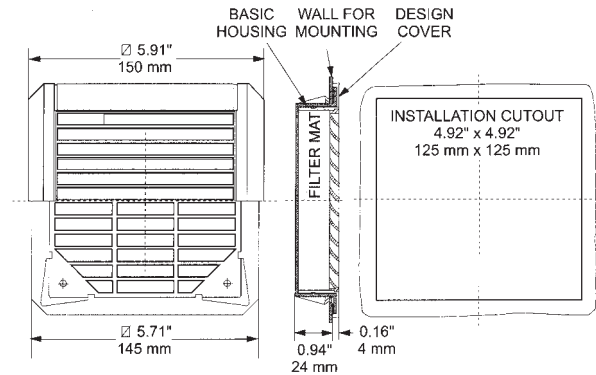
Accessories

- Gaskets (WPFG series) recommended if installing on enclosure with textured finish

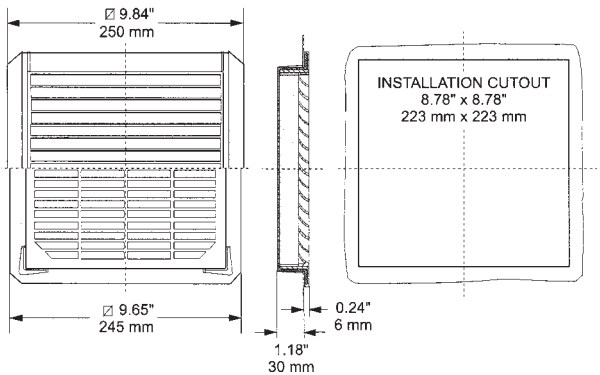
EXHAUST GRILLE WITH FILTER				
CATALOG NUMBER		FILTER DENSITY (G/M ²)	FILTERING LEVEL	REQUIRED CUT OUT DIMENSIONS
BLACK GRILLE	BEIGE GRILLE			
WPFA10BK	WPFA10	150	67%	3.60x3.60/92x92
WPFA20BK	WPFA20	350	83%	4.90x4.90/125x125
WPFA25/30BK	WPFA25/30	350	83%	8.80x8.80/223x223
WPFA50/60BK	WPFA50/60	350	83%	11.50x11.50/291x291



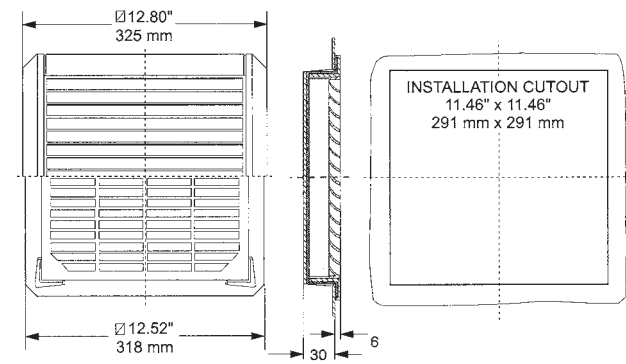
WPFA 10



WPFA 20



WPFA 25/30



WPFA 50/60



WPGF25/30



WPFM20



WPG1BK



WPG25/30BE

FEATURES-SPECIFICATIONS

GASKETS FOR FILTERFANS™

Applications

- Packaged individually
- Provides added sealing protection
- Recommended when fans or exhaust grilles are installed on enclosures with textured finishes
- Changes Filter Fan rating from IP43 to IP 54 when installed

WPGF SERIES GASKET FOR FILTERFANS™		
CATALOG NUMBER		
GASKET	USE WITH FILTER FAN NO.	USE WITH EXHAUST GRILLE NO.
WPGF10	WPF10-115BK WPF10-115	WPFA10BK WPFA10
WPGF20	WPF20-115BK WPF20-115	WPFA20BK WPFA20
WPGF25/30	WPF25-115BK WPF30-115BK WPF25-115 WPF30-115	WPFA25BK WPFA30BK WPFA25 WPFA30
WPGF50/60	WPF50-115BK WPF60-115BK WPF50-115 WPF60-115	WPFA50BK WPFA60BK WPFA50 WPFA60

AC & FILTERFAN™ REPLACEMENT FILTER MATS

Applications

Replacement filter mat for WPF-115 Series Filterfans and WPFA Series Exhaust Grilles.

Features

- Packaged in quantities of 5
- Made of synthetic fibers
- Re-usable up to 20 times
- 100% resistant to humidity

AC & FILTERFAN™ REPLACEMENT FILTER MATS						
FILTER CATALOG NUMBER	USE WITH FILTER FAN OR A/C SERIES	USE WITH EXHAUST GRILLE	MASS FILTER LEVEL %	FILTER DENSITY (G/M2)	H	W
WPFM10	WPF10-115	WPFA10	67	150	3.40 (85)	3.40 (85)
WPFM20	WPF20-115	WPFA20	83	350	4.50 (115)	4.50 (115)
WPFM25/30	WPF25-115 WPF30-115	WPFA30	83	350	8.30 (210)	8.30 (210)
WPFM50/60	WPF50-115 WPF60-115	WPFA50	83	350	11.00 (280)	11.00 (280)
WPFM25/30AC	WDTS1200-6000	—	83	150	8.30 (210)	8.3 (210)
WPFM50/60AC	WDTS8000-12000	—	83	150	11.00 (280)	11.00 (280)
WPFMDTTAC	WDTT3500-4500	—	83	150	11.81 (300)	11.81 (300)

FILTERFAN™ REPLACEMENT GRILLES

Features

- Packaged individually
- Grille only replacement for filter fans
- Available in black or beige

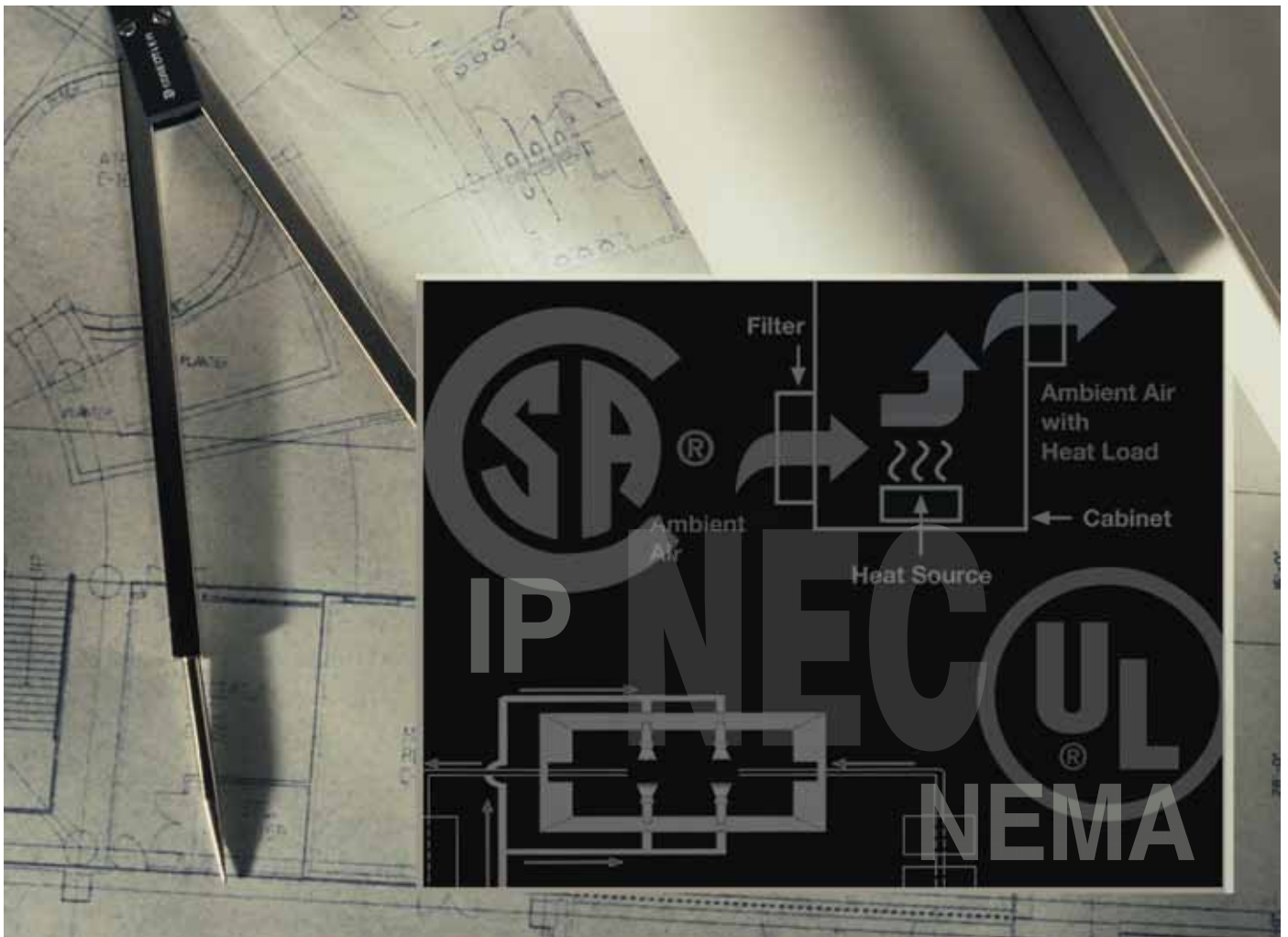
FILTERFAN™ REPLACEMENT GRILLES						
			CATALOG NUMBER			
BLACK GRILLE	BEIGE GRILLE	USE WITH A/C UNIT GRILLE	BLACK GRILLE FOR FILTER FAN	BEIGE GRILLE FOR FILTER FAN	BLACK GRILLE FOR EXHAUST GRILLE W/FILTER	BEIGE GRILLE FOR EXHAUST GRILLE W/FILTER
WPG1BK	WPG1BE	—	WPF10-115BK	WPF10-115	WPFA10BK	WPFA10
WPG2BK	WPG2BE	—	WPF20-115BK	WPF20-115	WPFA20BK	WPFA20
WPG3BK	WPG3BE	WDTS1200-6000	WPF25-115BK WPF30-115BK	WPF25-115 WPF30-115	WPFA25BK WPFA30BK	WPFA25 WPFA30
WPG5BK	WPG5BE	WDTS6000-12000	WPF50-115BK WPF60-115BK	WPF50-115 WPF60-115	WPFA50BK WPFA60BK	WPFA50 WPFA60



Section L Index

Enclosure Technical Data	L2
Special Quotations Technical Data	L11
Environmental Control Technical Data	L12
Enclosure Alterations/ Recommendations	L18

TECHNICAL INFORMATION



Industry Definitions

The National Electrical Manufacturers Association (NEMA) is a US Manufacturers Organization which actively promotes standardized product specifications for electrical apparatus.

While NEMA does not actually test products, it establishes the performance criteria for enclosures intended for specific environments.

NEMA standards describe each type of enclosure in general and functional terms, and specifically omits reference to construction details. In other words NEMA specifies what an enclosure must do, not how to manufacture it. This is also true about the EN 60.529/IEC 529.

NEMA performance criteria and test methods are used by Underwriters Laboratories (UL) and Canadian Standards Association (CSA) as guidelines for investigation and listing of electrical enclosures.

The tested enclosures are then authorized to carry a label by UL or CSA to prove it has passed the required tests and meets the applicable UL and CSA standard.

NEMA CLASSIFICATIONS**Definitions – Non-Hazardous Locations****Type 1**

Enclosures are intended for indoor use primarily to provide a degree of protection against contact with the enclosed equipment. NEMA Standard 1-10-1979.

Type 2

Enclosures are intended for indoor use primarily to provide a degree of protection against limited amounts of falling water and dirt. NEMA Standard 1-10-1979.

Type 3

Enclosures are intended for outdoor use primarily to provide a degree of protection against windblown dust, rain, sleet, and external ice formation. NEMA Standard 1-10-1979.

Type 3R

Enclosures are intended for outdoor use primarily to provide a degree of protection against falling rain, sleet, and external ice formation. (May be ventilated). NEMA Standard 1-10-1979.

Type 3S

Enclosure are intended for outdoor use primarily to provide a degree of protection against windblown dust, rain, sleet, and to provide for operation of external mechanisms when ice laden. NEMA Standard 1-10-1979.

Type 4

Enclosures are intended for indoor or outdoor use primarily to provide a degree of protection against windblown dust and rain, splashing water, and hose-directed water. NEMA Standard 1-10-1979.

Type 4X

Enclosures are intended for indoor or outdoor use primarily to provide a degree of protection against

corrosion, windblown dust and rain, splashing water, and hose-directed water. NEMA Standard 1-10-1979.

Type 5

Enclosures are intended for indoor use primarily to provide a degree of protection against settling airborne dust, falling dirt, and dripping non-corrosive liquids. NEMA Standard 5-25-1988.

Type 6

Enclosures are intended for indoor or outdoor use primarily to provide a degree of protection against the entry of water during occasional, temporary submersion at a limited depth. NEMA Standard 1-10-1979.

Type 6P

Enclosures are intended for indoor or outdoor use primarily to provide a degree of protection against the entry of water during prolonged submersion at a limited depth. NEMA Standard 1-10-1979.

Type 11

Enclosures are intended for indoor use primarily to provide, by oil submersion, a degree of protection to enclosed equipment against the corrosive effects of liquids and gases. NEMA Standard 1-10-1979.

Type 12

Enclosures are intended for indoor use primarily to provide a degree of protection against dust, falling dirt, and dripping non-corrosive liquids. NEMA Standard 1-10-1979.

Type 12K

Enclosures with knock-outs are intended for indoor use primarily to provide a degree of protection against dust, falling dirt, and dripping non-corrosive liquids other than at knock-outs. NEMA Standard 1-10-1979.

Type 13

Enclosures are intended for indoor use primarily to provide a degree of protection against dust, spraying of water, oil, and non-corrosive coolant. NEMA Standard 1-10-1979.

Definitions – Hazardous Locations**Type 7**

Enclosures are for use indoors in locations classified as Class I, Groups A, B, C, or D, as defined in the National Electrical Code. NEMA Standard 1-10-1979.

Type 8

Enclosures are for indoor or outdoor use in locations classified as Class I, Groups A, B, C, or D, as defined in the National Electrical Code. NEMA Standard 1-10-1979.

Type 9

Enclosures are for indoor use in locations classified as Class II, Groups E, F, or G as defined in the National Electrical Code. NEMA Standard 5-19-1986.

Type 10

Enclosures are constructed to meet the applicable requirements of the Mine Safety and Health Administration. NEMA Standard 1-10-1979.

ENCLOSURE DEFINITIONS AND CLASSIFICATIONS TECHNICAL DATA

L3

ENCLOSURE TYPES NON-HAZARDOUS LOCATIONS			
TYPE DESIGNATION	NATIONAL ELECTRICAL MANUFACTURERS ASSOCIATION (NEMA STANDARD 250) AND ELECTRICAL AND ELECTRONIC MFG. ASSOCIATION OF CANADA (EEMAC)	UNDERWRITERS LABORATORIES INC. (UL 50 AND UL 508)	CANADIAN STANDARDS ASSOCIATION (STANDARD C22.2 NO. 94)
1	Enclosures are intended for indoor use primarily to provide a degree of protection against contact with the enclosed equipment or locations where unusual service conditions do not exist.	Indoor use primarily to provide protection against contact with the enclosed equipment and against a limited amount of falling dirt.	General purpose enclosure. Protects against accidental contact with live parts.
2	Enclosures are intended for indoor use primarily to provide a degree of protection against limited amounts of falling water and dirt.	Indoor use to provide a degree of protection against limited amounts of falling water and dirt.	Indoor use to provide a degree of protection against dripping and light splashing of non-corrosive liquids and falling dirt.
3	Enclosures are intended for outdoor use primarily to provide a degree of protection against windblown dust, rain, and sleet; undamaged by the formation of ice on the enclosure.	Outdoor use to provide a degree of protection against windblown dust and windblown rain; undamaged by the formation of ice on the enclosure.	Indoor or outdoor use; provides a degree of protection against rain, snow, and windblown dust; undamaged by the external formation of ice on the enclosure.
3R	Enclosures are intended for outdoor use primarily to provide a degree of protection against falling rain and sleet; undamaged by the formation of ice on the enclosure.	Outdoor use to provide a degree of protection against falling rain; undamaged by the formation of ice on the enclosure.	Indoor or outdoor use; provides a degree of protection against rain and snow; undamaged by the external formation of ice on the enclosure.
4	Enclosures are intended for indoor or outdoor use primarily to provide a degree of protection against windblown dust and rain, splashing water, and hose-directed water; undamaged by the formation of ice on the enclosure.	Either indoor or outdoor use to provide a degree of protection against falling rain, splashing water, and hose-directed water; undamaged by the formation of ice on the enclosure.	Indoor or outdoor use; provides a degree of protection against rain, snow, windblown dust, splashing and hose-directed water; undamaged by the external formation of ice on the enclosure.
4X	Enclosures are intended for indoor or outdoor use primarily to provide a degree of protection against corrosion, windblown dust and rain, splashing water, and hose-directed water; undamaged by the formation of ice on the enclosure.	Either indoor or outdoor use to provide a degree of protection against falling rain, splashing water, and hose-directed water; undamaged by the formation of ice on the enclosure; resists corrosion.	Indoor or outdoor use; provides a degree of protection against rain, snow, windblown dust, splashing and hose-directed water; undamaged by the external formation of ice on the enclosure; resists corrosion.
6	Enclosures are intended for use indoors or outdoors where occasional submersion is encountered.	Indoor or outdoor use to provide a degree of protection against entry of water during temporary submersion at a limited depth; undamaged by the formation of ice on the enclosure.	Indoor or outdoor use; provides a degree of protection against the entry of water during temporary submersion at a limited depth; undamaged by the external formation of ice on the enclosure; resists corrosion.
12	Enclosures are intended for indoor use primarily to provide a degree of protection against dust, falling dirt, and dripping non-corrosive liquids.	Indoor use to provide a degree of protection against dust, dirt, fiber flyings, dripping water, and external condensation of non-corrosive liquids.	Indoor use; provides a degree of protection against circulating dust, lint, fibers, and flyings; dripping and light splashing of non-corrosive liquids; not provided with knockouts.
13	Enclosures are intended for indoor use primarily to provide a degree of protection against dust, spraying of water, oil, and non-corrosive coolant.	Indoor use to provide a degree of protection against lint, dust seepage, external condensation and spraying of water, oil, and non-corrosive liquids.	Indoor use; provides a degree of protection against circulating dust, lint, fibers, and flyings; seepage and spraying of non-corrosive liquids, including oils and coolants.

This material is reproduced from NEMA. The preceding descriptions, however, are not intended to be complete representations of National Electrical Manufacturers Association standards for enclosures nor those of the Electrical and Electronic Manufacturers Association of Canada.

This material is reproduced from Underwriters Laboratories Inc. Standard for Safety for Cabinets and Boxes, UL 50, Copyright 1997 and Industrial Control Equipment, UL 508, Copyright 1996 by Underwriters Laboratories Inc.

This material is reproduced from the Canadian Standards Association.

Underwriters Laboratories Inc. (UL) shall not be responsible to anyone for the use of or reliance upon a UL Standard by anyone. UL shall not incur any obligation or liability for damages, including consequential damages, arising out of or connection with the use, interpretation of, or reliance upon a UL Standard.

COMPARISON OF SPECIFIC NON-HAZARDOUS APPLICATIONS INDOOR LOCATIONS											
PROVIDES A DEGREE OF PROTECTION AGAINST THE FOLLOWING ENVIRONMENTAL CONDITIONS	TYPE OF ENCLOSURE										
	1*	2*	4	4X	5	6	6P	11	12	12K	13
Incidental contact with the enclosed equipment	•	•	•	•	•	•	•	•	•	•	•
Falling dirt	•	•	•	•	•	•	•	•	•	•	•
Falling liquids and light splashing		•	•	•		•	•	•	•	•	•
Dust, lint, fibers, and flyings†			•	•	•	•	•		•	•	•
Hose down and splashing water			•	•		•	•				
Oil and coolant seepage									•	•	•
Oil or coolant spraying and splashing											•
Corrosive agents				•			•	•			
Occasional temporary submersion						•	•				
Occasional prolonged submersion							•				

**These enclosures may be ventilated. However, Type 1 may not provide protection against small particles of falling dirt when ventilation is provided in the enclosure top.*

†These fibers and flyings are non-hazardous materials and are not considered Class III type ignitable fibers or combustible flyings. For Class III type ignitable fibers or combustible flyings see the National Electrical Code, Section 500-6(a).

In order to protect the sometimes delicate equipment against foreign objects there are protection standards developed which grade the degree of protection level achieved. It is important to know that there are two such standards for the degree of protection by an enclosure.

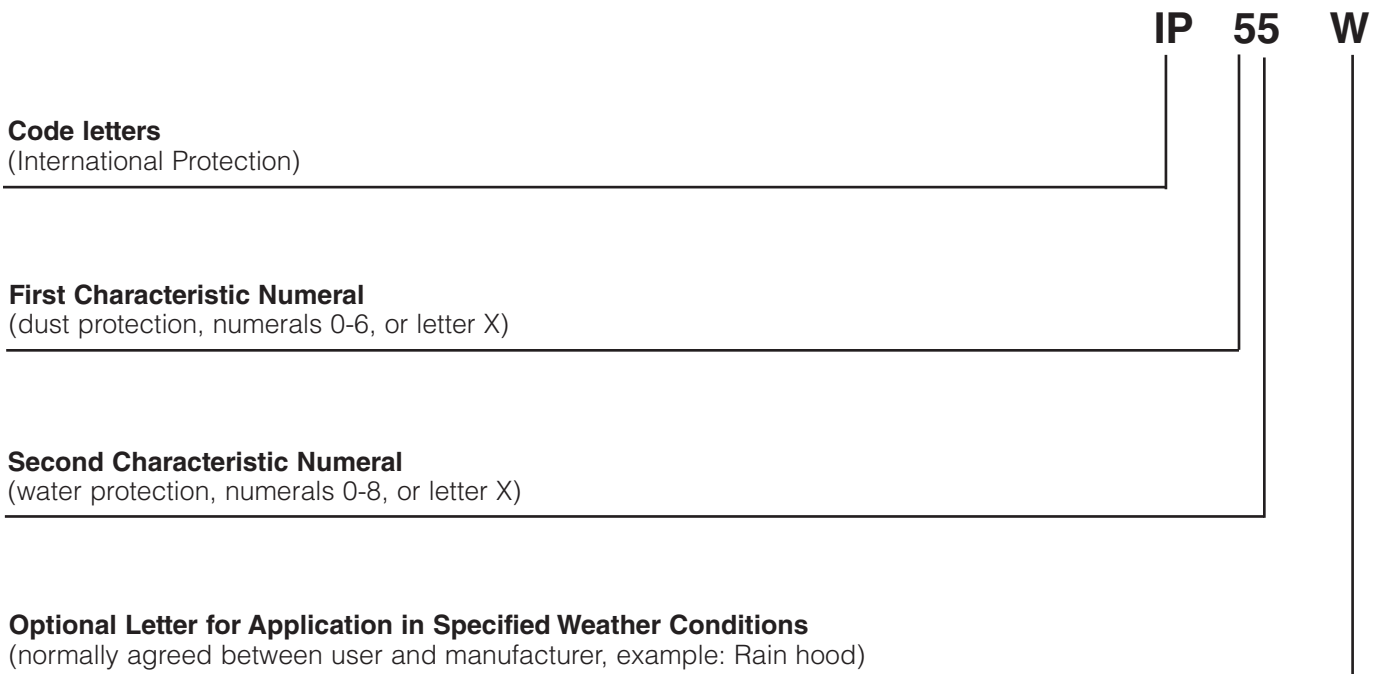
- The European specification: IP-code according to EN 60.529 / IEC 529
- The American specification: TYPE-code according to NEMA 250

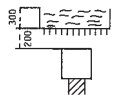
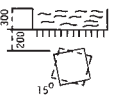
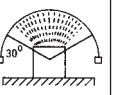
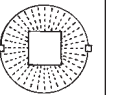
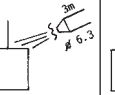
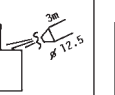

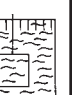
The European IP-Code

To help the design engineer identify the degree of protection provided by an enclosure, EN60.529/IEC 529 (International Electrotechnical Commission) was introduced. The latest version was issued 11/89. (Correct at date of printing). Both harmonized standards classify the extent to which an enclosure will resist the ingress of solid bodies and water under designated tests.

After successful testing the enclosure will be allocated a classification code with the letters IP (International Protection) prefixing that code.

Further explanation of the degree of protection provided by an enclosure indicated by the IP-code is detailed below:



THE IP SCALE										
1ST NUMERAL: DEGREE OF PROTECTION WITH RESPECT TO PERSONS AND SOLID OBJECTS.		2ND NUMERAL: DEGREE OF PROTECTION WITH RESPECT TO HARMFUL INGRESS OF WATER								
		0	1	2	3	4	5	6	7	8
		Non protected	Protected against dripping water	Protected against dripping water of $\pm 15^\circ$ angle	Protected against dripping water of $\pm 60^\circ$ angle	Protected against splashing water	Protected against water jets	Protected against heavy seas	Protected against immersion	Protected against submersion
0	Non Protected	IP 00	Test time 10 mins  IP 01	Test time 10 mins  IP 02 80kN/m	Test time 10 mins max 200  10l./min 80kN/m	Test time 10 mins  10l./min 30kN/m	Test time 1 min/m  12.5l./min 100 kN/m	Test time 1 min/m  100l./min	Test time 30 mins 	Test time 30 mins 
1	Protected against solid objects greater than Dia. 50 mm	IP 10	IP 11	IP 12	IP 13					
2	Protected against solid objects greater than Dia. 12 mm	IP 20	IP 21	IP 22	IP 23					
3	Protected against solid objects greater than Dia. 2.5 mm	IP 30	IP 31	IP 32	IP 33	IP 34				
4	Protected against solid objects greater than Dia. 1.0 mm	IP 40	IP 41	IP 42	IP 43	IP 44	IP 45	IP 46		
5	Dust protected					IP 54	IP 55	IP 56		
6	Dust tight						IP 65	IP 66	IP 67	IP 68

NEMA TO IEC – ENCLOSURE RATING CROSS-REFERENCE*								
NEMA TYPE	IP23	IP30	IP32	IP55	IP64	IP65	IP66	IP67
1	•							
2		•						
3								
3R			•					
4					•			
4X							•	
6								•
12				•				
13						•		

*Note: This cross-reference table is an approximation of NEMA and IEC classifications for reference only. Please consult the appropriate agency's requirements and test qualifications for complete information.

NEMA

National Electrical Manufacturers' Association
2101 L Street Northwest, Washington, DC 20037
NEMA Standards Publication No. 250
Enclosures for Electrical Equipment (1000 Volts Maximum)
NEMA Standards Publication No. ICS6
Enclosures for Industrial Controls and Systems

UL

Underwriters' Laboratories Inc.
333 Pfingsten Road, Northbrook, IL 60062
UL 50 Cabinets and Boxes
UL 508 Industrial Control Equipment
UL 870 Wireway, Auxiliary Gutter, and Associated fittings.

CSA

Canadian Standards Association
178 Rexdale Boulevard, Rexdale, Toronto, Ontario Canada M9W 1R3
CSA Standard C22.2, No. 14 Industrial Control Equipment for Use in Ordinary (Non-Hazardous) Locations
CSA Standard C22.2, No. 40 Cutout, Junction, and Pull Boxes
CSA Standard C22.2, No. 94-M91 Special Purpose Enclosures



















JIC

Joint Industry Counsel
7901 Westpark Drive, McLean, VA 22101
EMP-1 Electrical Standards for Mass Production Equipment
EGP-1 Electrical Standards for General Purpose Machine Tools

IEC

International Electrotechnical Commission
3 Rue de Varemb, CH-1211
Geneva 20, Switzerland
IEC 529 Classification of Degrees of Protection Provided by Enclosures

CERTIFICATES & APPROVALS

	AS	Austria		SETI	Finland		SEV	Switzerland		IMQ	Italy
	ÖVE	Austria		UTE	France		UL	U.S.A		KEMA	Netherlands
	CEBEC	Belgium		VDE	Germany		UR	U.S.A.		NEMKO	Norway
	CSA, CEC	Canada		BS	Great Britain		Lloyd's Register of Shipping			AEE	Spain
	DEMKO	Denmark		ASTA	Great Britain		SEMKO	Sweden			

ANSI

American National Standards Institute
1430 Broadway
New York, NY 10018
ANSI Z55.1-1967 Gray Finishes for Industrial Apparatus and Equipment

EEMAC

Electrical/Electronic Manufacturers Association of Canada
10 Carlson Court
Suite 500
Rexdale (Toronto), Ontario Canada M9W 6L2

TUV

TUV Rheinland
Glenview, IL
Newtown, CT
San Ramon, CA

VDE

Institute of German Electronics Engineers
Merianstrasse 28
D-6050 Offenbach, Germany

EIA

Electronic Industries Association
2001 Eye Street Northwest
Washington, DC 20006
EIA RS-310-D Racks, Panels, and Associated Equipment

NFPA

National Fire Protection Association
Batterymarch Park
Quincy, MA 02269
NFPA 70 National Electrical Code

FORD

Ford Manufacturing Standards
Ford Motor Company
The American Road
Dearborn, MI 48121
EXI Electrical Standards for Mass Production Equipment

Degreasing, Iron Phosphatizing and Rinsing

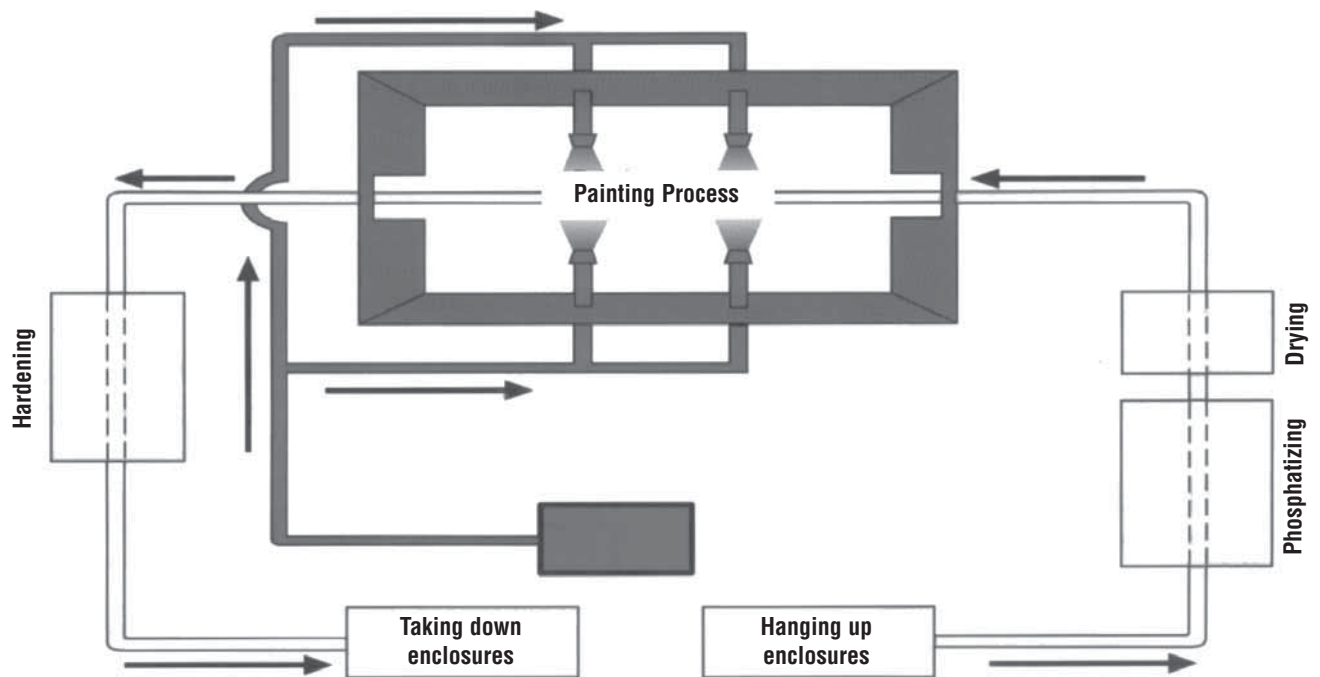
During this process the steel is cleaned and passivated. This way the product will not corrode and good adhesion of the paint to the steel surface is achieved.

Forced Drying

To make sure that the products are completely dry before the painting process starts, they are dried at 100 degree C.

Structure Powder Coating

The powder coating is electrostatically applied. This way ALL faces are covered inside and outside assuring high mechanical strength, very good corrosion protection and resistance to chemicals, temperature and weather variations. The powder coating can easily be re-painted and is free from heavy metals, chromate and silicon.



ENCLOSURE METAL SPECIFICATIONS TECHNICAL DATA

MATERIALS AND FINISHES METALS		
CHARACTERISTICS OF VARIOUS MATERIALS	COSTS	SUGGESTED APPLICATION
<p>Hot Rolled Pickled and Oiled Steel Sheets (ASTM A569) A low-carbon, hot-finished steel produced by passing bar stock, at a temperature above the recrystallation temperature, between a set of rolls. Scale has been removed by means of a hot, weak sulfuric acid bath, after which an oil film is applied.</p>	Low	General indoor and outdoor use after a suitable finish has been applied to protect against corrosion.
<p>Cold Rolled Steel (ASTM A366) A low-carbon, cold-finished steel produced by passing bar stock through a set of rolls.</p>	Low	General indoor and outdoor use after a suitable finish has been applied to protect against corrosion.
<p>Galvanized Steel (ASTM A526) Steel with a zinc coating to provide corrosion resistance. The most common method of applying the zinc coating is hot dip galvanizing. Other optional methods include electrodeposition and metal spraying. Galvanizing provides protection against corrosion by serving as a sacrificial barrier and providing cathodic protection at sheared edges.</p>	Low to Moderate	Indoor or outdoor use in neutral pH (pH is a measurement of the degree of acidity or alkalinity of a solution: pH values from 0 to 7 indicate acidity, and pH values from 7 to 14 indicate alkalinity). Resists oil, gas, glycerine, dichromates, borates, and silicates. Most frequent application is outdoor including seacoast atmospheres. Additional finishes may be applied to improve corrosion resistance.
<p>18-8 Stainless Steel (Type 302-304) A highly corrosion resistant iron-based alloy containing between 18% and 20% chromium. Stainless steel is the strongest of the corrosion resistant materials. It exhibits many of the same resistances attributed to fiberglass materials as well as resistance to highly polar solvents such as acetone and mek.</p>	Moderate	Indoor and outdoor use. Ideally suited for use in food processing areas, dairies, breweries, or any wet area. Also works well in areas where caustic elements or alkalis are present.
<p>316 or 316L Stainless Steel Provide improved resistance to salt, some acids, and high temperature. Resistance to sulfates and chlorine is less than Type 304.</p>	Moderate to High	Indoor or outdoor use in almost any environment. These stainless steels are the most corrosion resistant metal materials used by Wiegmann for enclosures. A superior material choice for marine environments.
<p>5052 Aluminum A lightweight metal that has a protective oxide layer which shields its surface from most corrosive elements. 5052 is the strongest non-heat treatable aluminum alloy.</p>	Moderate	Indoor or outdoor use, particularly in marine environments. Also an excellent choice for enclosures exposed to solvents, petrochemicals, some acids, most sulfates and nitrates.
<p>Monel A high nickel-base alloy characterized by good strength and good resistance to heat and corrosion.</p>	High	Frequently specified for marine and chemical plant applications. Mainly used as hardware on non-metallic enclosures.

N. I. B. GAUGE EQUIVALENTS	
GAUGE NUMBER	THICKNESS (INCHES)
7 Gauge	.179
8 Gauge	.164
9 Gauge	.150
10 Gauge	.134
11 Gauge	.120
12 Gauge	.105
13 Gauge	.090
14 Gauge	.075
15 Gauge	.067
16 Gauge	.060
17 Gauge	.054
18 Gauge	.048
19 Gauge	.042
20 Gauge	.036
21 Gauge	.033
22 Gauge	.030

Steel Manufacturers' Standard Gauge for Sheet Steel (Hot or Cold Rolled)

NEMA TO IEC - ENCLOSURE RATING CROSS-REFERENCE* DECIMAL & METRIC EQUIVALENTS							
4THS	8THS	16THS	32NDS	64THS	TO 3 PLACES	TO 2 PLACES	MILLIMETERS
				1/64	.016	.02	0
			1/32		.031	.03	1
				3/64	.047	.05	1
		1/16			.062	.06	2
				5/64	.078	.08	2
			3/32		.094	.09	2
				7/64	.109	.11	3
	1/8				.125	.12	3
				9/64	.141	.14	4
			5/32		.156	.16	4
		3/16		11/64	.172	.17	4
				13/64	.203	.20	5
			7/32		.219	.22	6
				15/64	.234	.23	6
1/4					.250	.25	6
				17/64	.266	.27	7
			9/32		.281	.28	7
				19/64	.297	.30	8
		5/16			.312	.31	8
				21/64	.328	.33	8
			11/32		.344	.34	9
				23/64	.359	.36	9
	3/8				.375	.38	10
				25/64	.391	.39	10
			13/32		.406	.41	10
				27/64	.422	.42	11
		7/16			.438	.44	11
				29/64	.453	.45	12
			15/32		.469	.47	12
				31/64	.484	.48	12
1/2					.500	.50	13
				33/64	.516	.52	13
			17/32		.531	.53	13
				35/64	.547	.55	14
		9/16			.562	.56	14
				37/64	.578	.58	15
			19/32		.594	.59	15
				39/64	.609	.61	15
	5/8				.625	.62	16
				41/64	.641	.64	16
			21/32		.656	.66	17
				43/64	.672	.67	17
		11/16			.688	.69	17
				45/64	.703	.70	18
			23/32		.719	.72	18
				47/64	.734	.73	19
3/4					.750	.75	19
				49/64	.766	.77	19
			25/32		.781	.78	20
				51/64	.797	.80	20
		13/16			.812	.81	21
				53/64	.828	.83	21
			27/32		.844	.84	21
				55/64	.859	.86	22
7/8					.875	.88	22
				57/64	.891	.89	23
			29/32		.906	.91	23
				59/64	.922	.92	23
		15/16			.938	.94	24
				61/64	.953	.95	24
			31/32		.969	.97	25
				63/64	.984	.98	25
1 inch					1.000	1.00	25

LENGTH CONVERSIONS			
1mm = 0.039 in.	8mm = 0.315 in.	60mm = 2.362 in.	400mm = 15.748 in.
2mm = 0.079 in.	9mm = 0.354 in.	70mm = 2.756 in.	500mm = 19.685 in.
3mm = 0.118 in.	10mm = 0.394 in.	80mm = 3.150 in.	600mm = 23.622 in.
4mm = 0.157 in.	20mm = 0.787 in.	90mm = 3.543 in.	700mm = 27.559 in.
5mm = 0.197 in.	30mm = 1.181 in.	100mm = 3.937 in.	800mm = 31.496 in.
6mm = 0.236 in.	40mm = 1.575 in.	200mm = 7.874 in.	900mm = 35.433 in.
7mm = 0.276 in.	50mm = 1.969 in.	300mm = 11.811 in.	1000mm = 39.370 in.

AREA CONVERSIONS	
IMPERIAL TO METRIC	METRIC TO IMPERIAL
1 sq. inch = 645.16 sq. millimeters	1 sq. millimeter (mm ²) = 0.00155 sq. inch
1 sq. inch = 6.4516 sq. centimeters	1 sq. centimeter (cm ²) = 0.1550 sq. inch
1 sq. foot = 929.03 sq. centimeters	1 sq. meter (m ²) = 10.7640 sq. feet
1 sq. foot = 0.0929 sq. meter	1 sq. meter (m ²) = 1.196 sq. yards
1 sq. yard = 0.836 sq. meter	

CONVERSIONS		
3.0 mm = 0.118 ins.	10 gauge = 0.1345/0.1225 ins.	= 3.416 / 3.112 mm
2.5 mm = 0.098 ins.	12 gauge = 0.1046 / 0.0926 ins.	= 2.657 / 2.352 mm
2.0 mm = 0.079 ins.	14 gauge = 0.0747 / 0.0667 ins.	= 1.897 / 1.694 mm
1.5 mm = 0.059 ins.	16 gauge = 0.0598 / 0.5928 ins.	= 1.519 / 1.341 mm

Repainting

For best adhesion results, correct surface preparation before repainting is critical. To avoid discoloration of solvent-based high solids baking enamel, do not bake over 360° F. Always follow instructions provided by your paint manufacturer. Apply thin finish coats. Allow the paint to cure properly for best adhesion and hardness.

Panel Installation

When installing the interior sub-panel, it may be necessary to bend one or more mounting studs (slightly) to permit the panel to slide in place. If this would happen, simply position the panel on the studs that line up properly, and pry the other stud into position with a screwdriver inserted through the panel hole.

Door Closing Adjustments

(Single Door Wall Mount) If the surface on which the enclosure is mounted is not flat, the door may not open and close properly. If heavy equipment is mounted on the door, the door may sag slightly. If the top of door strikes the lip which extends around the body opening, place

metal shims behind the mounting foot which is located at the bottom of the enclosure and closest to the door hinge. Place the shims between the mounting foot and the wall or mounting surface; be sure all mounting bolts are tight!

(Two Door Floor Mounting) The overlapping doors are factory-fitted to meet evenly at the top and bottom. If the floor under the enclosure is not level, the doors will not close evenly. In this case, place metal shims under the corners of the enclosure. The enclosure should be bolted in place with doors closed to prevent tipping when installing shims. Shims under the right front corner will raise the right door. Shims under the left front corner will raise the left door. It is important that the doors meet evenly to insure a proper seal against liquids and dust. Be sure all mounting bolts are tight!

Lifting Enclosures

To lift an enclosure which has eyebolts or mounting feet, be sure to use all the eyebolts or tip mounting feet provided. Arrange your chains and cables with spreader bars, etc., so you are lifting straight up on the eyebolts or top mounting feet.

All fields numbered 1-23 must be filled out before submitting form, or quotation cannot be completed.

WIEGMANN SPECIAL/MODIFIED QUOTATION REQUEST FORM

CUSTOMER INFORMATION		
1. Agent: _____	2. Contact: _____	3. Date: _____
4. Distributor: _____	5. Location: _____	6. Contact: _____
7. Expired quote: _____ <small>(List old quote #)</small>	8. New Quotation: _____ <small>(Yes/No)</small>	9. Job name: _____

DETAILED ENCLOSURE INFORMATION	
10. Total Quantity: _____	11. Qty. Per Release: _____
12. Style Enclosure: _____ <small>(List Floormount, Wallmount, Freestanding or product family SC, RSC, N4, SSN4, etc.)</small>	13. Modified Special Size: _____ <small>(list Height x Width x Depth)</small>
14. Material: _____ <small>List type of material: Carbon Steel, 304 SS, 316 SS, Galvanized or Aluminum</small>	
15. Nema UL/listing required: (N1/N12/N3R/N412/N4/N4X) _____	
16. Sub Panel Installed: _____ <small>(Yes/No)</small>	17. Sub Panel Quoted Separate: _____ <small>(Yes/No)</small>
18. Standard Finish (Y/N): _____	19. Special Color (RAL Number?) _____
<p>All Wiegmann colors are powder finish and must be predetermined in RAL format before placing order. —— We cannot quote an enclosure in two or more colors. ——</p>	
Target Pricing: _____	Other business contingent on this quote? _____ <small>(Yes/No) If yes, explain</small>

Past competition issues with this special/modified: _____
Past quality issues with this special/modified: _____

20. List drawing name: _____	
21. List drawing number: _____	22. List drawing revision: _____
23. Additional Notes: _____ _____ _____	

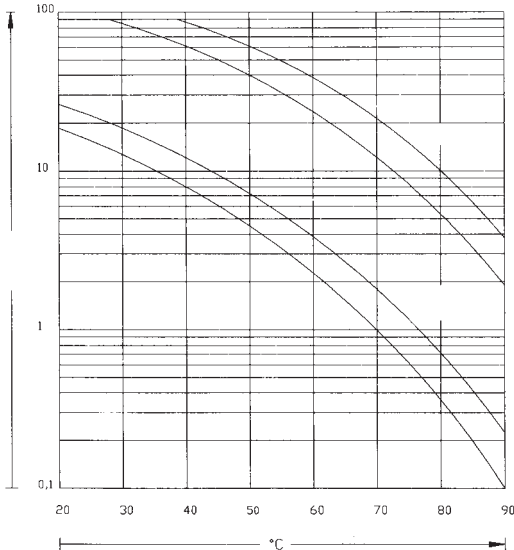
Send completed RFQ form to Hubbell-Wiegmann Special Quotations Department at one of the following addresses:
 rjaco@hubbell.com (Rob Jaco)
 dharms@hubbell.com (Dave Harms)
 msummers@hubbell.com (Matt Summers)

Please copy and complete.
 Mail to: **Hubbell Wiegmann**
 Attention: Quotations
 501 West Apple
 Freeburg, IL 62243

Or fax to:
 (618) 539-5794
 Specials Quotations Dept.

Ever since components have been made to control electro-technical tasks, heat loss has been a subject to take into consideration. Sometimes more—sometimes less.

Major problems with heat caused excessive dust accumulation in switchgear equipment because the doors were left open during the summer to allow the equipment to cool down. This can result in fluctuations in temperature. These lead to stress situations that can considerably reduce the service life of electronic components (see chart).



This chart demonstrates the relationship between temperature and service life.

THREE BASIC COOLING METHODS

When selecting a cooling method there are three types to consider:

- 1. Natural Convection** — If there is only a minimal heat gain in your circumstance, use of louvers or grilles with filters can be effective. This method, however, usually provides less cooling effect than is necessary with today's components (Fig. 1, pg. L15).
- 2. Forced Convection Air Cooling** — If the installation will be in a clean, non-hazardous environment with an acceptable ambient (outside the enclosure) temperature range, a simple forced-air cooling system utilizing outside air is usually adequate. Combined with an air filter, such devices generally meet the heat removal needs of typical electronic equipment and many electrical applications (Fig. 2a & 2b, pg. L16). Examples of forced convection air cooling are Filterfans™ and Box Fans.
- 3. Closed-Loop Cooling** — In harsh environments involving high temperatures, wash-down requirements, heavy particulate matter or the presence of chemicals capable of damaging components (NEMA 4 or 12 environments), ambient air must be kept out of the

enclosure. Closed-loop cooling consists of two separate circulation systems. One system seals out the ambient air, cooling and recirculating clean, cool air throughout the enclosure. The second system uses ambient air or water to remove and discharge the heat (Fig. 3, pg. L18). Examples of closed-loop cooling equipment employed with electronics and process controls are air conditioners and heat exchangers.

Heat Abduction by Natural Convection

If the ambient temperature is lower than the temperature inside the switch cabinet, the dissipated heat escapes into the atmosphere through the surface of the switch cabinet. The following simple equation is used to calculate the level of heat radiated from a switch cabinet:

$$PR[W] = c \times A \times \Delta T$$

PR[Watt]: Radiation Power

Thermal power radiated from the surface area of the switch cabinet into the ambience or radiated from the ambience into the switch cabinet.

C[W/m²K]: Coefficient of heat transmission

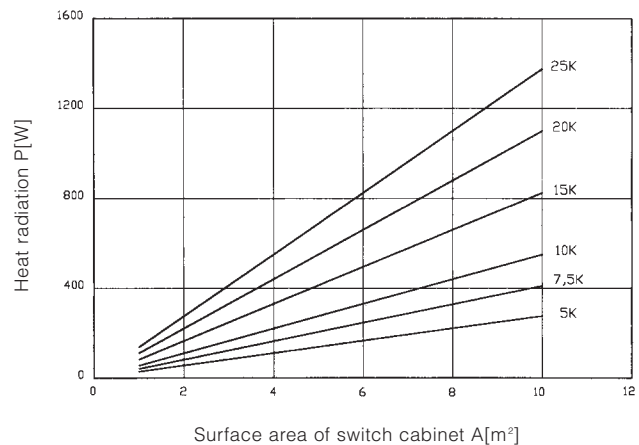
Radiation power per 1m² surface area and 1K difference in temperature. This constant is determined by the material:

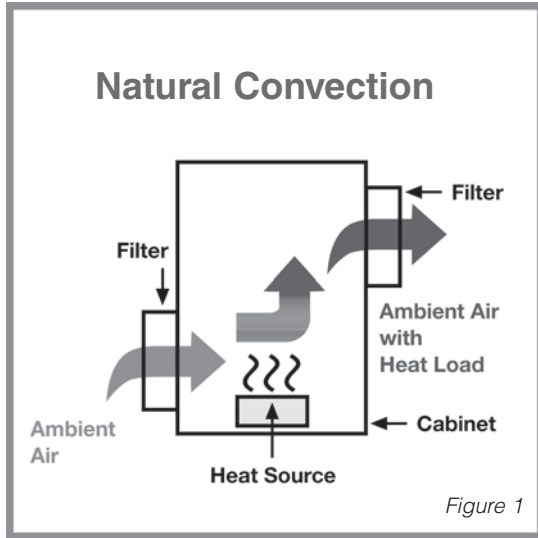
Sheet steel	-5.5 W/m²K
Stainless steel	-3.7 W/m²K
Aluminum	-12.0 W/m²K
Plastic	-0.2 W/m²K

A[m²]: Surface area of switch cabinet

Effective surface area of a switch cabinet measured according to the specifications of VDE0660, Part 506.

ΔT[K]: Difference in temperature between the ambience and inside the switch cabinet





Heat Abduction with Filterfans™

Follow the simple equation for calculating the required air flow volume:

$$V = \frac{3.1(Pd)}{\Delta T} \text{ [m}^3\text{/h]}$$

V[m3/h]: Flow volume for a filter fan

Pd[Watt]: Dissipation loss
Thermal power generated inside a switch cabinet by dissipation loss from components.

A[m2]: Difference in temperature between the ambience and inside the switch cabinet

In the course of development, absolute priority was given to the use of high-quality components (plastic material, fan, filter mat) and comprehensive transparent technical data. For this purpose we measured every Filterfan™ and exhaust filter in a test laboratory.

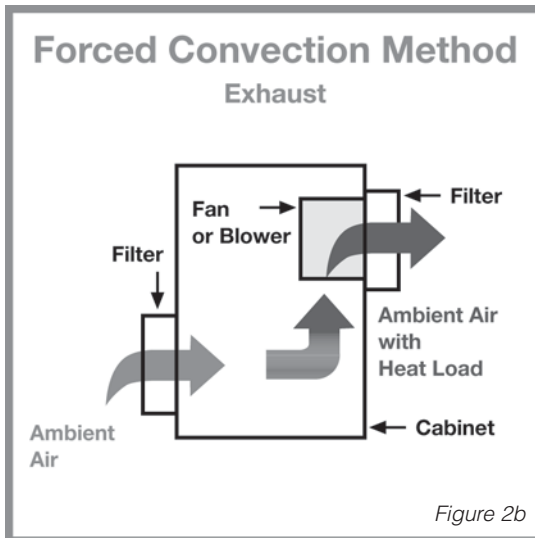
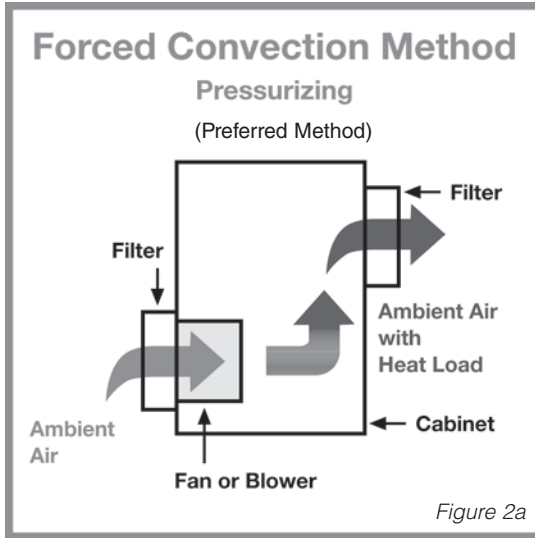
When considering the use of Filterfans™:

- Always use the Filterfan™ to propel the cool ambient air into the switch cabinet. This ensures that slight positive pressure builds up inside the switch cabinet in comparison to the ambience and that only air filtered by the Filterfan™ flows into the switch cabinet. The air propelled into the cabinet displaces the warm air which exits through the exhaust filter. If, however, the air is drawn out of the switch cabinet by suction power, unfiltered air can also enter through gaps and components
- If you install a combination of Filterfan™/exhaust filter, fit the Filterfan™ in the lower third of the switch cabinet if possible. The exhaust filter must be installed as near to the top as possible to prevent heat pockets in the upper part of the cabinet
- In switch cabinets consisting of several compartments, the cool air capacity required should be divided among two or more Filterfans™/exhaust fans. This measure helps to ensure a more acceptable distribution of temperature throughout the cabinet
- If you combine a Filterfan™ with two exhaust filters, the cool air divides into “Y” shape. In this way, with just one additional exhaust filter you can considerably improve the circulation inside the switch cabinet
- Install a thermostat that only trips the Filterfan™ when the temperature is too high. This can quite substantially increase the service life of your filter mat



(European Patent No. 0439667)

The Filterfan/exhaust filter is centered in the cutout and held in place across the 4 corners. Installation time is thus reduced from 12 minutes to virtually ZERO.



Steps for sizing an air conditioner — Proper selection of an air conditioner is determined by the following criteria:

- Required cooling capacity in BTUs/hr (steps 1-4)
- Mounting requirements (top or side mounting options)
- Dimensions of air conditioner and enclosure

Step One

1 Watt = 3.413 BTU/HR.
Determine the internal heat load in Watts that must be dissipated.

Step Two

1 m² = 11.76 ft²
Calculate the exposed surface area of the enclosure: $2[(h \times w) + (h \times d) + (w \times d)] \div 144 =$
Area (ft²).

Step Three

1°C or 1°KΔT = 1.8°F T
Determine the temperature differential by subtracting the maximum allowable temperature inside the enclosure (Ti) from the maximum ambient temperature outside the enclosure (To).
 $To - Ti = \Delta T$

Step Four

$[\text{Watts} \div \Delta T (F^\circ)] - [0.22 \times \text{Area} (ft^2)] = \text{Watts}/F^\circ$
Capacity Required BTU/HR. Capacity Rating

Heat Abduction with a Cooling Unit

Pfannenberg air/refrigerant cooling units operate on the principle of the Carnot cycle. This means that the cooling unit functions as a heat pump that “pumps” the thermal energy abducting from the switch cabinet (heat dissipated from the components) up to a higher level of temperature (the ambient temperature can reach levels as high as +131°F). The air inside the switch cabinet is cooled down by the evaporator and is at the same time dehumidified.

Cooling units are used if:

- The outside air cannot be used for cooling
- The required temperature inside the switch cabinet should be equal to or lower than the required ambient temperature
- The ambient air is extremely oily or rife with conductive dust

Selecting cooling units

- Ascertain the total dissipation loss from the components installed in the switch cabinet. Take into account the simultaneity factor, because rarely are all components in operation at the same time
- Also take the heat radiation from the switch cabinet into account. If $T_i < T_a$, this must also be added to the dissipation loss value
- Now select the necessary cooling unit in accordance with the required refrigeration capacity, ensuring that the cooling capacity of the cooling unit is at least equal to the dissipation loss value. Preferable is a figure 10% in excess of that value

Utilizing characteristic curves for proper selection of a cooling unit

Characteristic curves for all cooling units are available for contacting us. These diagrams allow you to determine the corresponding effective (useful) refrigeration capacity for any temperature. All relevant data for our cooling units result from tests in Pfannenberg's own climatic chamber.

Example:

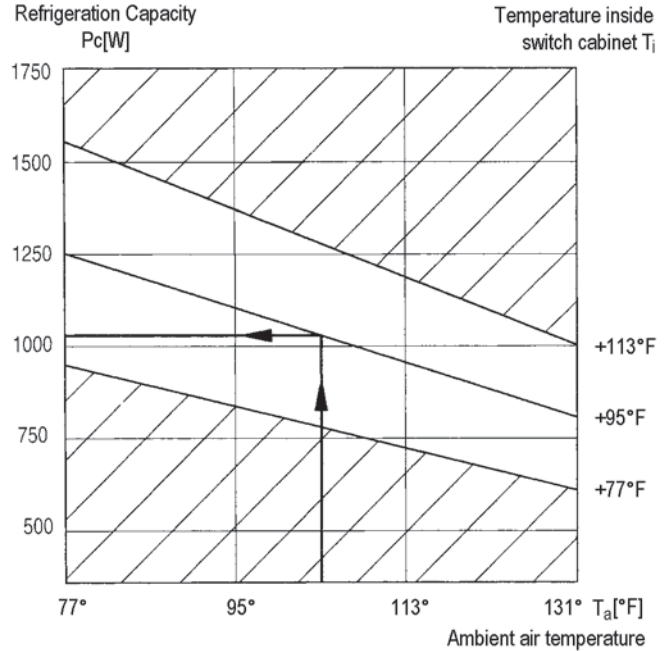
$T_a = 104^\circ\text{F}$ and $T_i = 95^\circ\text{F}$, where

T_i [°F]: Maximum admissible temperature inside the switch cabinet. This value reflects the maximum operating temperature of components installed in the switch cabinet. This usually ranges from approx. 95°F to 113°F .

T_a [°F]: Maximum ambient temperature. Temperature at which the switch cabinet is installed.

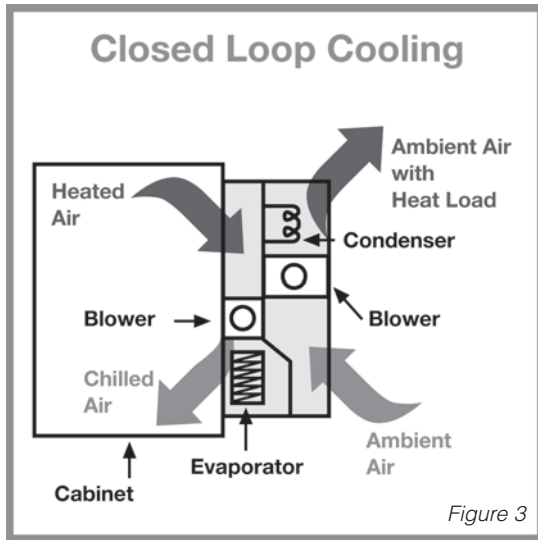
P_c [Watt]: Refrigeration capacity of a cooling unit. Only the effective or useful cooling capacity is shown.

Go to the known ambient temperature ($T_a = 104^\circ\text{F}$) and trace a vertical line up to the intersection with 95°F line. Then trace a horizontal line left of that intersection until it meets with the ordinate (vertical axis). This point shows the refrigeration capacity required. In this example, the following diagram shows that the value is 1040W.



Important information on the utilization of cooling units

- The refrigeration capacity should exceed the dissipation loss from the installed components by approximately ten percent (10%)
- The switch cabinet must be adequately sealed to prevent the inflow of ambient air
- Use the door contact switch to impede operation with open doors and consequent excessive accumulation of condensation
- Use cooling units with a generous clearance between air inflow and air outflow to prevent poor circulation
- Attach the condensate overflow hose included in the package of accessories supplied with the unit
- Make sure that the air inflow and air outflow in the external circuit of the cooling unit circulates satisfactorily to ensure that the thermal energy is released into the ambience
- When using top-mounted cooling units, make sure that components with their own fans do not expel the air directly into the cooling unit's cool air outflow. This counteraction between the two airflows would otherwise substantially reduce the refrigeration capacity and could cause heat pockets.
- Make sure that the switch cabinet stands up straight. Otherwise the condensation cannot drain properly from the top-mounted unit
- Setting the temperature to the lowest setting is not the optimal solution due to condensation issues. The value we have preset on the cooling unit is a sound compromise between cooling the inside of the switch cabinet and the accumulation of condensation



Cooling Control Cabinets

Most electrical & electronic control systems generate substantial amounts of heat during operation. This heat factor intensifies as controls are made more compact, perform more functions, or are placed in more confined areas. Additional problems are encountered when the electronic process control system is located on-site in an industrial setting, as opposed to a clean computer room. For instance, ambient temperatures found in a steel mill can be locally very high. The factory environment can be hostile to the point that performance and effective life of electronic components are materially reduced, or the control system fails completely. Moisture-laden air and airborne particulate matter might be present to adversely affect electronic components, as is true in the paper manufacturing industry or in grain storage facilities.

Our air conditioners are designed to perform reliably under many of these harsh conditions and to provide the cooling and environmental protection required by sensitive electronic production control systems.

Factors affecting model selection

Use this section as a basic outline or checklist of the various conditions to be considered when choosing a cooling unit for a certain application.

The following three factors must be considered when selecting a cooling unit:

1. Internal Heat Load

This is the heat dissipated by electronic controls. It is expressed in watts. One watt equals 3.413 BTU/hr. Thus, to obtain the approximate cooling capacity required to remove a specific heat load, the following formula can be used:

$$\text{Watts} \times 3.413 = \text{BTU/hr}$$

For example, a heat load of 800 watts requires an air conditioner capable of removing at least 2,730 BTU/hr

2. Resistance to air flow in the enclosure

Air-flow is measured in cubic feet per minute (CFM). Creating appropriate air flow requires that air pressure be produced by a blower within the air conditioning enclosure. Resistance to blower-produced air flow is created by obstructions within the cabinet's air-flow path. This resistance is called static pressure (SP) and is measured in inches of water column.

The effect of significant resistance in the cabinet's air flow due to static pressure is that it produces a drop in air pressure, or differential, from the air velocity produced by the blower. This reduction in cool air flow will decrease the effective capacity of the cooling unit. So when selecting the proper cooling unit, allowances must be made for static pressure.

3. Heat Load From the Surroundings

Ambient conditions can cause a heat gain in the enclosure. The rated capacity of the cooling unit must be sufficient to handle this heat gain. When evaluating the additional heat load gained from the surroundings, consider the following:

Insulated Cabinet — Normally, well-insulated cabinets will not gain sufficient ambient heat to affect an air conditioner's operation. BTU/hr ratings for our air conditioners have been established at the maximum ambient operating temperature of 125°F. A substantial improvement in heat removal occurs when operating in ambient temperatures below 125°F.

Uninsulated Cabinets (most common) — Obviously, this design places more of a burden on the cooling unit. Heat is conducted to the cool side. Thus, high ambient heat will be readily transmitted into the cooler enclosure. To determine the additional capacity required of our air conditioner installed in an uninsulated cabinet, the surface square footage of the enclosure must be calculated to obtain the total effective heat transfer area. For this calculation, use the surface area of the sides, plus the area of the top, and omit the bottom area of the cabinet.

Air movement outside the uninsulated cabinet will increase the heat conducted from the ambient into the enclosure. When there is little or no air circulation outside the cabinet, the layer of air immediately adjacent to the exterior cabinet walls act as an insulating film. Exterior air movement dissipates this insulating layer of air in proportion to the velocity of the air flow. Substantial ambient air circulation will increase the transmitted heat load imposed on the cooling unit. If the cabinet being cooled is not airtight, then high ambient relative humidity will adversely affect the cooling effectiveness of the air conditioner. When humid air infiltrates a poorly sealed enclosure, the air conditioner is required to use up valuable BTU/hr capacity just to condense the moisture from the internal air. Conversely, if the cabinet is well sealed, high ambient relative humidity has very little effect on the heat capacity of the air conditioner.

Why Use a Heater?

Hubbell Wiegmann heater products protect electronic and electrical components from temperature problems that are below acceptable tolerances. There are obvious circumstances when extremely low ambient (outside the enclosure) temperatures would require a heater, but there are also less apparent times that a heater should be considered. For example, a system may run all day having its components generate heat, but once the system shuts down for the night, the quick drop in temperature could cause condensation and possible corrosion — a heater could be used to maintain a safe and constant temperature.

Heater Sizing

Formula for sizing Hubbell Wiegmann enclosure heating products:

$$P_H = (\Delta T \times k \times A) - P_v$$

Variables:

P_H = Total power required in Watts for application.

ΔT = Difference between the minimum required enclosure interior temperature and the lowest possible exterior temperature, in degrees Kelvin.
“DT” can be calculated using the following formula:

$$\frac{(IT) - (ET)}{1.8} = \Delta T \text{ in } ^\circ\text{Kelvin}$$

(IT) – Minimum required enclosure interior temperature [$^\circ\text{F}$]

(ET) – Lowest possible exterior temperature [$^\circ\text{F}$]

k = Heat transmission coefficient of enclosure material in quiet air.

Painted Steel	0.511 W/(ft ² °K)
Stainless Steel	0.344 W/(ft ² °K)
Aluminum	1.115 W/(ft ² °K)
Plastic (or insulated stainless)	0.325 W/(ft ² °K)

A = Enclosure surface area in ft.² “A” can be calculated by using the following formula (assuming a wall-mounted enclosure):

$$1((H/12) \times (W/12)) + 2((W/12) \times (D/12)) + 2((H/12) \times (D/12)) = A \text{ in ft.}^2$$

H = Height of enclosure (in inches)

W = Width of enclosure (in inches)

D = Depth of enclosure (in inches)

P_v = Existing power from installed components (Watts).

Sample with solution:

Required sizing information:

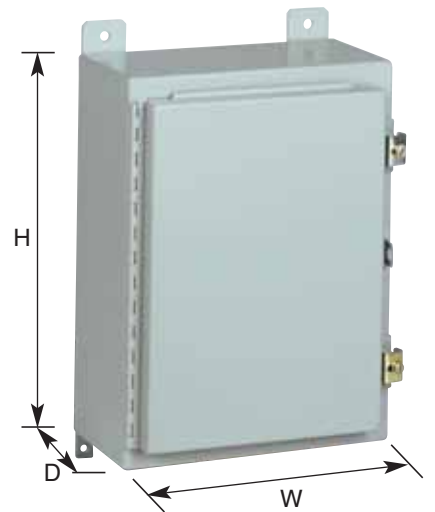
- Wiegmann Painted Steel Enclosure = N12161206 (H = 16", W = 12", D = 6")
- Minimum required enclosure interior temperature in Fahrenheit=50°F (IT)
- Lowest possible exterior temperature in Fahrenheit = -30°F (ET)
- Existing components generating 50 Watts (P_v)

$$\Delta T = \frac{(50) - (-30)}{1.8} = 44.44$$

$$k = 0.51$$

$$A = 2((16/12) \times (12/12)) + 2((12/12) \times (6/12)) + 2((16/12) \times (6/12)) = 4.99$$

$$P_H = (44.44 \times 0.51 \times 4.99) - 50 = \mathbf{63 \text{ Watts}}$$
 needed to heat the enclosure



Hubbell-Wiegmann cannot assure the safety or effectiveness of any alterations or additions not made by Wiegmann. However, the following information may be helpful. These instructions do not eliminate the need to consult with equipment manufacturers and to observe all regulatory agency procedures and safe practices to assure the proper electrical and mechanical function of Hubbell-Wiegmann products in each particular application.

1 PREPING CUTOUT AND PUNCHED HOLES

- a. All cutouts and punching of holes must be free of burrs and sanded smooth for proper fit of accessories.
- b. All holes / bare metal must be painted to prevent rusting of the steel, ensure the U.L. rating of the enclosure, and to maintain the integrity of the enclosure finish.

2 REPAINTING

Contact Hubbell- Wiegmann for the proper replacement, touch up paint.

3 MOUNTING INSTRUCTIONS

- a. Wall mounted enclosures have either an internal mounting means or external mounting feet. Proper fasteners must be used in all mounting holes to secure the enclosure to the wall.
- b. Floor mounted enclosures have floor stands (legs) which include mounting plates. Proper fasteners must be used in all mounting holes to securely anchor the enclosure to the floor.

4 DOOR CLOSING ADJUSTMENTS

- a. Single door (wall mounted)
If the surface on which the enclosure is mounted is not flat, the door may not open and close properly. Also, if heavy equipment is mounted on a large door, the door may sag slightly.
If the top of the door strikes the lip which extends around the body opening, place metal shims behind the mounting foot which is located at the bottom of the enclosure and closest to the door hinge. Place the shims between the mounting foot and the wall or mounting surface. Be sure all mounting screws are tightened securely.
- b. Two door (floor mounted)
The overlapping doors are factory-fitted to meet evenly at the top and bottom. If the floor under the enclosure is not level, the doors will not close evenly. In this case, place metal shims under the corners of the enclosure. The enclosure should be bolted in place with the doors closed to prevent tipping when installing shims.
Shims under the right front corner will raise the right door. Shims under the left front corner will raise the left door. It is important that the doors meet evenly to insure a proper seal against liquids and dust. Be sure all mounting bolts are tightened securely.

5 PANEL INSTALLATION

When the interior panel is being installed, it may be necessary to bend one or more mounting studs slightly to permit the panel to fit in place. Simply position the panel on the studs that line up properly and pry the other studs into position with a suitable screwdriver inserted through the panel holes.

4 REMOVING HINGE PINS FROM CONTINUOUS HINGES

This can be a difficult operation requiring one or more people. This procedure is best accomplished by using a small diameter punch to drive the hinge pin toward the bottom of the enclosure. Lay the wall-mounted and floor-mounted or free-standing enclosure on its back side (see note 7 below). When the hinge pin protrudes about two inches below the bottom hinge barrel, bend the end of the pin 180° so it is shaped like the letter "J". Use an electric or air powered vibrating hammer fitted with a tool which has a hole in the end to fit over the hinge pin, and drive the hinge pin out while opening and closing the door.

To install the hinge pin, straighten the pin and drive it in with the vibrating hammer while opening and closing the door. Most hinge pins have one end chamfered, so be sure to start the chamfered end first when installing the pin.

7 PRINT POCKET

The print pocket on the door can be mounted in any location or position using the self adhesive strip, or removed entirely.

8 LIFTING ENCLOSURES BY EYEBOLTS

To lift an enclosure which has eyebolts or mounting feet, be sure to use all the eyebolts and top mounting feet provided. Arrange the chains and cables with spreader bars so you are lifting straight up on the eyebolts or top mounting feet.

Eyebolts are used for lifting, shipping, and moving purposes. It is the customer's responsibility to ensure that lifting eyes are tightened to maintain proper seal/NEMA/and UL rating (factory installed rubber washers must be used)

PART NUMBER	PAGE	PART NUMBER	PAGE	PART NUMBER	PAGE	PART NUMBER	PAGE
A040503	A6	AF0404	G2	B060404SC	C2-C15	B161406CH	C2-C15
A040604	A6	AF0404G	G2	B060604	C2-C15	B161406CHQR	C2-C15
A060603	A6	AF0606	G2	B060604CH	C2-C15	B161406CHS	C2-C15
A060604	A6	AF0606G	G2	B060604CHQR	C2-C15	B161406SC	C2-C15
A060606	A6	AF0808	G2	B060604SC	C2-C15	B161408CH	C2-C15
A060804	A6	AF0808G	G2	B080603	C2-C15	B161410CH	C2-C15
A080804	A6	AF1010	G2	B080603CH	C2-C15	B201607CH	C6
A080806	A6	AF1010G	G2	B080603CHQR	C2-C15	B201609CH	C6
A081004	A6	AF1212	G2	B080603SC	C2-C15	B202007CH	C6
A081006	A6	AF1212G	G2	B080606	C2-C15	B202009CH	C6
A081204	A6	ALN4161206	E30	B080606CH	C2-C15	B242007CH	C6
A101004	A6	ALN4161608	E30	B080606SC	C2-C15	B242009CH	C6
A101006	A6	ALN4201606	E30	B080804	C2-C15	B242407CH	C6
A101204	A6	ALN4201610	E30	B080804CH	C2-C15	B242409CH	C6
A101206	A6	ALN4202006	E30	B080804SC	C2-C15	B242411CH	C6
A121204	A6	ALN4242006	E30	B100804	C2-C15	B302007CH	C6
A121206	A6	ALN4242010	E30	B100804CH	C2-C15	B302009CH	C6
A121504	A6	ALN4242408	E30	B100804CHQR	C2-C15	B302409CH	C6
A121604	A6	ALN4242410	E30	B100804CHS	C2-C15	B302413CH	C6
A121606	A6	ALN4302408	E30	B100804SC	C2-C15	B362407CH	C6
A121804	A6	ALN4302412	E30	B100806	C2-C15	B362409CH	C6
A121806	A6	ALN4362408	E30	B100806CH	C2-C15	B362411CH	C6
A151506	A6	ALN4363008	E30	B100806SC	C2-C15	B363009CH	C6
A151804	A6	ALN4363012	E30	B100845CHFTC	C15	B363013CH	C6
A161606	A6	ALN4483608	E30	B101004SC	C2-C15	B423609CH	C6
A181806	A6	ALN4603612	E30	B101006CH	C2-C15	B483611CH	C6
A182406	A6	ALNP1612	E30	B101006SC	C2-C15	B0604045CHFTC	C15
A242406	A6	ALNP1616	E30	B120604CH	C2-C15	B0606045CHFTC	C15
A243006	A6	ALNP2016	E30	B121005	C2-C15	B0806045CHFTC	C15
A243606	A6	ALNP2020	E30	B121005CH	C2-C15	BH0202	G2
A243608	A6	ALNP2420	E30	B121005CHQR	C2-C15	BH0202G	G2
ABN12242108	F23	ALNP2424	E30	B121005CHS	C2-C15	BH0404	G2
ABN12242508	F23	ALNP3024	E30	B121005SC	C2-C15	BH0404G	G2
ABN12302108	F23	ALNP3624	E30	B121008CH	C2-C15	BH0606	G2
ABN12302508	F23	ALNP3630	E30	B121055CHFTC	C15	BH0606G	G2
ABN12362510	F23	ALNP4836	E30	B121206	C2-C15	BH0808	G2
ABN12363108	F23	ALNP6036	E30	B121206CH	C2-C15	BH0808G	G2
ABN12363110	F23	B040403	C2-C15	B121206SC	C2-C15	BH1010	G2
ABN12423108	F23	B040403CH	C2-C15	B140806CH	C2-C15	BH1010G	G2
ABN12483710	F23	B040403SC	C2-C15	B141206	C2-C15	BH1212	G2
ABN12483812	F23	B040404	C2-C15	B141206CH	C2-C15	BH1212G	G2
ABN12483812A	F23	B040404CH	C2-C15	B141206CHQR	C2-C15	BN4040403	D2-D5
ABN12483816	F23	B040404SC	C2-C15	B141206CHS	C2-C15	BN4040403CH	D2-D5
ABN12603710	F23	B060403	C2-C15	B141206SC	C2-C15	BN4040403SS	E6
ABN12603812	F23	B060403CH	C2-C15	B141208CH	C2-C15	BN4060403	D2-D5
ABN12603812A	F23	B060403CHQR	C2-C15	B141265CHFTC	C15	BN4060403AL	E10
ABN12603816	F23	B060403SC	C2-C15	B161006CH	C2-C15	BN4060403CH	D2-D5
AF0202	G2	B060404	C2-C15	B161406	C2-C15	BN4060403SS	E6
AF0202G	G2	B060404CH	C2-C15	B1614065CHFTC	C15	BN4060404CHSS	E6

PART NUMBER	PAGE	PART NUMBER	PAGE	PART NUMBER	PAGE	PART NUMBER	PAGE
BN4060404CHSSA.....	E6	C0404.....	G2	E0808G.....	G2	HFWADM124C.....	J20-J23
BN4060604.....	D2-D5	C0404G.....	G2	E0808NK.....	G2	HFWADM64C.....	J20-J23
BN4060604AL.....	E10	C0606.....	G2	E1010GNK.....	G2	HFWADM82C.....	J20-J23
BN4060604CH.....	D2-D5	C0606G.....	G2	E1010NK.....	G2	HFWADM84C.....	J20-J23
BN4060604CHAL.....	E10	C0808.....	G2	E1212GNK.....	G2	HFWCNP4C.....	J20-J23
BN4060604CHSS.....	E6	C0808G.....	G2	E1212NK.....	G2	HFWDF1212C.....	J20-J23
BN4060604CHSSA.....	E6	C1010.....	G2	EGL250.....	K24-K42	HFWDF1612C.....	J20-J23
BN4060604SS.....	E6	C1010G.....	G2	EGL250-120.....	K24-K42	HFWDF2016C.....	J20-J23
BN4080603.....	D2-D5	C1212.....	G2	EGL400.....	K24-K42	HFWDF2020C.....	J20-J23
BN4080603AL.....	E10	C1212G.....	G2	EGL400-120.....	K24-K42	HFWDF2420C.....	J20-J23
BN4080603CH.....	D2-D5	CTDD302410.....	B10-B13	EHG015.....	K24-K42	HFWDF2424C.....	J20-J23
BN4080603CHAL.....	E10	CTDD303012.....	B10-B13	EHG030.....	K24-K42	HFWDF3024C.....	J20-J23
BN4080604CHSS.....	E6	CTDD303612.....	B10-B13	EHG045.....	K24-K42	HFWDR12C.....	J20-J23
BN4080604CHSSA.....	E6	CTDD362412.....	B10-B13	EHG060.....	K24-K42	HFWDR16C.....	J20-J23
BN4080604SS.....	E6	CTDD363012.....	B10-B13	EHG075.....	K24-K42	HFWDR20C.....	J20-J23
BN4100804.....	D2-D5	CTDD363212.....	B10-B13	EHG100.....	K24-K42	HFWDR24C.....	J20-J23
BN4100804AL.....	E10	CTDD363612.....	B10-B13	EHG150.....	K24-K42	HFWGS12C.....	J20-J23
BN4100804CH.....	D2-D5	CTDD363616.....	B10-B13	ETF3000.....	K24-K42	HFWGS16C.....	J20-J23
BN4100804CHAL.....	E10	CTDD424212.....	B10-B13	ETF3000120F.....	K24-K42	HFWGS20C.....	J20-J23
BN4100804CHSS.....	E6	CTDD443012.....	B10-B13	ETR201.....	K24-K42	HFWGS24C.....	J20-J23
BN4100804CHSSA.....	E6	CTDD484816.....	B10-B13	ETR201F.....	K24-K42	HFWGS30C.....	J20-J23
BN4100804SS.....	E6	CTSD121810.....	B10-B13	ETR202.....	K24-K42	HFWGS36C.....	J20-J23
BN4100806CH.....	D2-D5	CTSD182410.....	B10-B13	ETR202F.....	K24-K42	HFWGS42C.....	J20-J23
BN4121005.....	D2-D5	CTSD202010.....	B10-B13	FK0608.....	J10	HFWGS48C.....	J20-J23
BN4121005AL.....	E10	CTSD202412.....	B10-B13	FK0610.....	J10	HFWGS60C.....	J20-J23
BN4121005CH.....	D2-D5	CTSD242412.....	B10-B13	FK0612.....	J10	HFWMC12C.....	J20-J23
BN4121005CHAL.....	E10	CTSD243012.....	B10-B13	FK0618.....	J10	HFWMC16C.....	J20-J23
BN4121005SS.....	E6	CTSD243612.....	B10-B13	FK0624.....	J10	HFWMC20C.....	J20-J23
BN4121006CHSS.....	E6	CTSD303612.....	B10-B13	FK1208.....	J10	HFWMC24C.....	J20-J23
BN4121006CHSSA.....	E6	DK12.....	J4	FK1210.....	J10	HFWMC30C.....	J20-J23
BN4121206CH.....	D2-D5	DK16.....	J4	FK1212.....	J10	HFWMC36C.....	J20-J23
BN4121206CHSS.....	E6	DK20.....	J4	FK1216.....	J10	HFWMC42C.....	J20-J23
BN4121206CHSSA.....	E6	DK24.....	J4	FK1218.....	J10	HFWMC48C.....	J20-J23
BN4141206.....	D2-D5	DK30.....	J4	FK1220.....	J10	HFWMC60C.....	J20-J23
BN4141206AL.....	E10	DK36.....	J4	FK1224.....	J10	HFWNSP1212C.....	J20-J23
BN4141206CH.....	D2-D5	DK42.....	J4	FK1808.....	J10	HFWNSP1612C.....	J20-J23
BN4141206CHAL.....	E10	DK48.....	J4	FK1810.....	J10	HFWNSP1616C.....	J20-J23
BN4141206CHSS.....	E6	DK60.....	J4	FK1812.....	J10	HFWNSP1620C.....	J20-J23
BN4141206CHSSA.....	E6	DK72.....	J4	FK1816.....	J10	HFWNSP2016C.....	J20-J23
BN4141206SS.....	E6	E0202.....	G2	FK2408.....	J10	HFWNSP2020C.....	J20-J23
BN4161406.....	D2-D5	E0202GNK.....	G2	FK2410.....	J10	HFWNSP2024C.....	J20-J23
BN4161406AL.....	E10	E0202NK.....	G2	FK2412.....	J10	HFWNSP2416C.....	J20-J23
BN4161406CH.....	D2-D5	E0404.....	G2	FM08603-4.....	K24-K42	HFWNSP2420C.....	J20-J23
BN4161406CHAL.....	E10	E0404G.....	G2	FM08604-5.....	K24-K42	HFWNSP2424C.....	J20-J23
BN4161406CHSS.....	E6	E0404NK.....	G2	FM08605-7.....	K24-K42	HFWNSP3020C.....	J20-J23
BN4161406CHSSA.....	E6	E0606.....	G2	FM08609-10.....	K24-K42	HFWNSP3024C.....	J20-J23
BN4161406SS.....	E6	E0606G.....	G2	HFWADM102C.....	J20-J23	HFWNSP3030C.....	J20-J23
C0202.....	G2	E0606NK.....	G2	HFWADM104C.....	J20-J23	HFWNSP3624C.....	J20-J23
C0202G.....	G2	E0808.....	G2	HFWADM122C.....	J20-J23	HFWNSP3630C.....	J20-J23

PART NUMBER	PAGE	PART NUMBER	PAGE	PART NUMBER	PAGE	PART NUMBER	PAGE
HFWNSP3636C	J20-J23	HS664	G2	HW-CC141206CHQR	E50-E79	HW-J181608CHTLW	E50-E79
HFWRA20C	J20-J23	HS664NK	G2	HW-CC141206CHTL	E50-E79	HW-J181608SC	E50-E79
HFWRA24C	J20-J23	HS665	G2	HW-CC141208CHQR	E50-E79	HW-J181610CHQRW	E50-E79
HFWRA30C	J20-J23	HS665NK	G2	HW-CC141208CHTL	E50-E79	HW-J201608CHQR	E50-E79
HFWRA36C	J20-J23	HS666	G2	HW-CC161408CHQR	E50-E79	HW-J201608CHSC	E50-E79
HFWRA48C	J20-J23	HS666NK	G2	HW-CC161408CHTL	E50-E79	HW-J201608CHTLW	E50-E79
HS121210NK	G2	HS881	G2	HW-CC60604CHQR	E50-E79	HW-J201608SC	E50-E79
HS12121NK	G2	HS8810	G2	HW-CC60604CHTL	E50-E79	HW-J60404CHQR	E50-E79
HS12122NK	G2	HS8810NK	G2	HW-CC80604CHQR	E50-E79	HW-J60404CHQRW	E50-E79
HS12123NK	G2	HS881NK	G2	HW-CC80604CHTL	E50-E79	HW-J60404CHSC	E50-E79
HS12124NK	G2	HS882	G2	HW-CC80804CHQR	E50-E79	HW-J60404CHTLW	E50-E79
HS12125NK	G2	HS882NK	G2	HW-CC80804CHTL	E50-E79	HW-J60404SC	E50-E79
HS12126NK	G2	HS883	G2	HW-CI2	E50-E79	HW-J60604CHQR	E50-E79
HS221	G2	HS883NK	G2	HW-DV	E50-E79	HW-J60604CHQRW	E50-E79
HS2210	G2	HS884	G2	HW-DVKIT	E50-E79	HW-J60604CHSC	E50-E79
HS2210NK	G2	HS884NK	G2	HW-EPOXYKIT	E50-E79	HW-J60604CHTLW	E50-E79
HS221NK	G2	HS885	G2	HW-FGHP	E50-E79	HW-J60604SC	E50-E79
HS222	G2	HS885NK	G2	HW-FGHP - 150-200	E50-E79	HW-J80604CHQR	E50-E79
HS222NK	G2	HS886	G2	HW-FGHP- 100-125	E50-E79	HW-J80604CHQRW	E50-E79
HS223	G2	HS886NK	G2	HW-FGHP-PB-075	E50-E79	HW-J80604CHSC	E50-E79
HS223NK	G2	HW-100806CHQR	E50-E79	HW-FS7225CS	E50-E79	HW-J80604CHTLW	E50-E79
HS224	G2	HW-100806CHSC	E50-E79	HW-FS7249CS	E50-E79	HW-J80604SC	E50-E79
HS224NK	G2	HW-121006CHQR	E50-E79	HW-J100804CHQR	E50-E79	HW-LP	E50-E79
HS225	G2	HW-121006CHSC	E50-E79	HW-J100804CHQRW	E50-E79	HW-LPKIT	E50-E79
HS225NK	G2	HW-141206CHQR	E50-E79	HW-J100804CHSC	E50-E79	HW-MGFTKIT	E50-E79
HS226	G2	HW-141206CHSC	E50-E79	HW-J100804CHTLW	E50-E79	HW-MP1008A	E50-E79
HS226NK	G2	HW-141208CHQR	E50-E79	HW-J100804SC	E50-E79	HW-MP1008CS	E50-E79
HS441	G2	HW-141208CHSC	E50-E79	HW-J100805CHQR	E50-E79	HW-MP1008FG	E50-E79
HS4410	G2	HW-161408CHQR	E50-E79	HW-J100805CHSC	E50-E79	HW-MP1008SS	E50-E79
HS4410NK	G2	HW-161408CHSC	E50-E79	HW-J100805CHTLW	E50-E79	HW-MP1210A	E50-E79
HS441NK	G2	HW-181610CHQR	E50-E79	HW-J100805SC	E50-E79	HW-MP1210CS	E50-E79
HS442	G2	HW-181610CHSC	E50-E79	HW-J121005CHQR	E50-E79	HW-MP1210FG	E50-E79
HS442NK	G2	HW-201610CHQR	E50-E79	HW-J121005CHQRW	E50-E79	HW-MP1210SS	E50-E79
HS443	G2	HW-201610CHSC	E50-E79	HW-J121005CHSC	E50-E79	HW-MP1407CS	E50-E79
HS443NK	G2	HW-2PKENCAP	E50-E79	HW-J121005CHTLW	E50-E79	HW-MP1407FG	E50-E79
HS444	G2	HW-2PKSS	E50-E79	HW-J121005SC	E50-E79	HW-MP1407SS	E50-E79
HS444NK	G2	HW-4PKENCAP	E50-E79	HW-J141206CHQR	E50-E79	HW-MP1412A	E50-E79
HS445	G2	HW-4PKSS	E50-E79	HW-J141206CHQRW	E50-E79	HW-MP1412CS	E50-E79
HS445NK	G2	HW-60604CHQR	E50-E79	HW-J141206CHSC	E50-E79	HW-MP1412FG	E50-E79
HS446	G2	HW-60604CHSC	E50-E79	HW-J141206CHTLW	E50-E79	HW-MP1412SS	E50-E79
HS446NK	G2	HW-80604CHQR	E50-E79	HW-J141206SC	E50-E79	HW-MP1614A	E50-E79
HS661	G2	HW-80604CHSC	E50-E79	HW-J161406CHQR	E50-E79	HW-MP1614CS	E50-E79
HS6610	G2	HW-80804CHQR	E50-E79	HW-J161406CHQRW	E50-E79	HW-MP1614FG	E50-E79
HS6610NK	G2	HW-80804CHSC	E50-E79	HW-J161406CHSC	E50-E79	HW-MP1614SS	E50-E79
HS661NK	G2	HW-CarryingHandle	E50-E79	HW-J161406CHTLW	E50-E79	HW-MP1816A	E50-E79
HS662	G2	HW-CC100806CHQR	E50-E79	HW-J161406SC	E50-E79	HW-MP1816CS	E50-E79
HS662NK	G2	HW-CC100806CHTL	E50-E79	HW-J181608CHQR	E50-E79	HW-MP1816FG	E50-E79
HS663	G2	HW-CC121006CHQR	E50-E79	HW-J181608CHQRW	E50-E79	HW-MP1816SS	E50-E79
HS663NK	G2	HW-CC121006CHTL	E50-E79	HW-J181608CHSC	E50-E79	HW-MP2016A	E50-E79

PART NUMBER	PAGE	PART NUMBER	PAGE	PART NUMBER	PAGE	PART NUMBER	PAGE
HW-MP2016CS	E50-E79	HW-N4X302006CH	E50-E79	HW-WM1610CS	E50-E79	JW83	G12
HW-MP2016FG	E50-E79	HW-N4X302008CH	E50-E79	HW-WM2016A	E50-E79	JW84	G12
HW-MP2016SS	E50-E79	HW-N4X302010CH	E50-E79	HW-WM2016CS	E50-E79	JW85	G12
HW-MP604A	E50-E79	HW-N4X302012CH	E50-E79	HW-WM2412A	E50-E79	JW8BK60	G12
HW-MP604CS	E50-E79	HW-N4X302408CH	E50-E79	HW-WM2412CS	E50-E79	JWA2	G12
HW-MP604FG	E50-E79	HW-N4X302410CH	E50-E79	HW-WM2420A	E50-E79	JWA4	G12
HW-MP604SS	E50-E79	HW-N4X302412CH	E50-E79	HW-WM2420CS	E50-E79	JWA6	G12
HW-MP606A	E50-E79	HW-N4X332	E50-E79	HW-WM2424A	E50-E79	JWA8	G12
HW-MP606CS	E50-E79	HW-N4X363008CH	E50-E79	HW-WM2424CS	E50-E79	JWBH2	G12
HW-MP606FG	E50-E79	HW-N4X363010CH	E50-E79	HW-WM3020A	E50-E79	JWBH4	G12
HW-MP606SS	E50-E79	HW-N4X363012CH	E50-E79	HW-WM3020CS	E50-E79	JWBH6	G12
HW-MP706A	E50-E79	HW-N4X3PB	E50-E79	HW-WM3024A	E50-E79	JWBH8	G12
HW-MP706CS	E50-E79	HW-N4X3PB-22	E50-E79	HW-WM3024CS	E50-E79	JWD2	G12
HW-MP806A	E50-E79	HW-N4X483612CH	E50-E79	HW-WM3630A	E50-E79	JWD4	G12
HW-MP806CS	E50-E79	HW-N4X483616CH	E50-E79	HW-WM3630CS	E50-E79	JWD6	G12
HW-MP806FG	E50-E79	HW-N4X4PB	E50-E79	HW-WM3636A	E50-E79	JWD8	G12
HW-MP806SS	E50-E79	HW-N4X4PB-22	E50-E79	HW-WM3636CS	E50-E79	JWE2	G12
HW-MP808CS	E50-E79	HW-N4X4PBW	E50-E79	HW-WM3648A	E50-E79	JWE4	G12
HW-MP808FG	E50-E79	HW-N4X532	E50-E79	HW-WM3648CS	E50-E79	JWE6	G12
HW-MP808SS	E50-E79	HW-N4X5PB	E50-E79	HW-WM4836A	E50-E79	JWE8	G12
HW-MP906CS	E50-E79	HW-N4X5PB-22	E50-E79	HW-WM4836CS	E50-E79	JWF2	G12
HW-N3R242410CH	E50-E79	HW-N4X603612CH	E50-E79	HW-WM6036A	E50-E79	JWF4	G12
HW-N3R302008CH	E50-E79	HW-N4X603616CH	E50-E79	HW-WM6036CS	E50-E79	JWF6	G12
HW-N3R302010CH	E50-E79	HW-N4X644	E50-E79	JIC040202	C14	JWF8	G12
HW-N3R302410CH	E50-E79	HW-N4X6PB	E50-E79	JIC0403025	C14	JWFF2	G12
HW-N3R302412CH	E50-E79	HW-N4X6PB-22	E50-E79	JIC040403	C14	JWFF4	G12
HW-N3R363008CH	E50-E79	HW-N4X6PBW	E50-E79	JW21	G12	JWFF6	G12
HW-N3R363010CH	E50-E79	HW-N4X763SC	E50-E79	JW210	G12	JWFF8	G12
HW-N3R363012CH	E50-E79	HW-N4X7PB	E50-E79	JW22	G12	JWG22	G12
HW-N3R483612CH	E50-E79	HW-N4X7PB-22	E50-E79	JW23	G12	JWG44	G12
HW-N3R483616CH	E50-E79	HW-N4X832	E50-E79	JW24	G12	JWG66	G12
HW-N4X1144	E50-E79	HW-N4X844	E50-E79	JW25	G12	JWG88	G12
HW-N4X12PBW	E50-E79	HW-N4X932	E50-E79	JW41	G12	JWL452	G12
HW-N4X1432	E50-E79	HW-N4X963SC	E50-E79	JW410	G12	JWL454	G12
HW-N4X161007CH	E50-E79	HW-N4X9PBW	E50-E79	JW42	G12	JWL456	G12
HW-N4X16PBW	E50-E79	HW-N4XMTGFTKIT	E50-E79	JW43	G12	JWL458	G12
HW-N4X1732	E50-E79	HW-SN1610FG	E50-E79	JW44	G12	JWL902	G12
HW-N4X1PB	E50-E79	HW-SN2016FG	E50-E79	JW45	G12	JWL904	G12
HW-N4X1PB-22	E50-E79	HW-SN2412FG	E50-E79	JW4BK60	G12	JWL906	G12
HW-N4X201612CH	E50-E79	HW-SN2424FG	E50-E79	JW61	G12	JWL908	G12
HW-N4X20PBW	E50-E79	HW-SN3024FG	E50-E79	JW610	G12	JWN221	G12
HW-N4X241206CH	E50-E79	HW-SN3630FG	E50-E79	JW62	G12	JWN222	G12
HW-N4X241210CH	E50-E79	HW-SNBP1610S	E50-E79	JW63	G12	JWN223	G12
HW-N4X242008CH	E50-E79	HW-SNBP2016S	E50-E79	JW64	G12	JWN226	G12
HW-N4X242410CH	E50-E79	HW-SNBP2412S	E50-E79	JW65	G12	JWN441	G12
HW-N4X242412CH	E50-E79	HW-SNBP2424S	E50-E79	JW6BK60	G12	JWN442	G12
HW-N4X25PBW	E50-E79	HW-SNBP3024S	E50-E79	JW81	G12	JWN443	G12
HW-N4X2PB	E50-E79	HW-SNBP3630S	E50-E79	JW810	G12	JWN446	G12
HW-N4X2PB-22	E50-E79	HW-WM1610A	E50-E79	JW82	G12	JWN661	G12

PART NUMBER	PAGE	PART NUMBER	PAGE	PART NUMBER	PAGE	PART NUMBER	PAGE
JWN662.....	G12	L121290G.....	G2	LJW8QRSP.....	G8	LJWL908A.....	G8
JWN663.....	G12	LHPC02.....	G8	LJW902CCW.....	G8	LJWL908B.....	G8
JWN666.....	G12	LJW1261.....	G8	LJW902CW.....	G8	LJWL908C.....	G8
JWN881.....	G12	LJW12610.....	G8	LJW904CCW.....	G8	LJWN1266.....	G8
JWN882.....	G12	LJW1262.....	G8	LJW904CW.....	G8	LJWN221.....	G8
JWN883.....	G12	LJW1263.....	G8	LJW906CCW.....	G8	LJWN222.....	G8
JWN886.....	G12	LJW1264.....	G8	LJW906CW.....	G8	LJWN223.....	G8
JWRB42C.....	G12	LJW1265.....	G8	LJW908CCW.....	G8	LJWN226.....	G8
JWRB64C.....	G12	LJW126ASP.....	G8	LJW908CW.....	G8	LJWN441.....	G8
JWRB84C.....	G12	LJW126QRSP.....	G8	LJWA126.....	G8	LJWN442.....	G8
JWRB86C.....	G12	LJW21.....	G8	LJWA2.....	G8	LJWN443.....	G8
JWS2.....	G12	LJW210.....	G8	LJWA4.....	G8	LJWN446.....	G8
JWS4.....	G12	LJW21CCW.....	G8	LJWA6.....	G8	LJWN661.....	G8
JWS6.....	G12	LJW21CW.....	G8	LJWA8.....	G8	LJWN662.....	G8
JWS8.....	G12	LJW22.....	G8	LJWE126.....	G8	LJWN663.....	G8
JWSC22.....	G12	LJW23.....	G8	LJWE2.....	G8	LJWN666.....	G8
JWSC44.....	G12	LJW24.....	G8	LJWE4.....	G8	LJWN881.....	G8
JWSC66.....	G12	LJW25.....	G8	LJWE6.....	G8	LJWN882.....	G8
JWT2.....	G12	LJW2ASP.....	G8	LJWE8.....	G8	LJWN883.....	G8
JWT4.....	G12	LJW2QRSP.....	G8	LJWF126.....	G8	LJWN886.....	G8
JWT6.....	G12	LJW41.....	G8	LJWF2.....	G8	LJWRB1266.....	G8
JWT8.....	G12	LJW410.....	G8	LJWF4.....	G8	LJWRB42.....	G8
JWX2.....	G12	LJW41CCW.....	G8	LJWF6.....	G8	LJWRB64.....	G8
JWX4.....	G12	LJW41CW.....	G8	LJWF8.....	G8	LJWRB86.....	G8
JWX6.....	G12	LJW42.....	G8	LJWL45126A.....	G8	LJWS126.....	G8
JWX8.....	G12	LJW43.....	G8	LJWL452A.....	G8	LJWS2.....	G8
L020245.....	G2	LJW44.....	G8	LJWL452B.....	G8	LJWS4.....	G8
L020245G.....	G2	LJW45.....	G8	LJWL452C.....	G8	LJWS6.....	G8
L020290.....	G2	LJW4ASP.....	G8	LJWL454A.....	G8	LJWS8.....	G8
L020290G.....	G2	LJW4QRSP.....	G8	LJWL454B.....	G8	LJWT126A.....	G8
L040445.....	G2	LJW61.....	G8	LJWL454C.....	G8	LJWT2A.....	G8
L040445G.....	G2	LJW610.....	G8	LJWL456A.....	G8	LJWT2C.....	G8
L040490.....	G2	LJW61CCW.....	G8	LJWL456B.....	G8	LJWT4A.....	G8
L040490G.....	G2	LJW61CW.....	G8	LJWL456C.....	G8	LJWT4C.....	G8
L060645.....	G2	LJW62.....	G8	LJWL458A.....	G8	LJWT6A.....	G8
L060645G.....	G2	LJW63.....	G8	LJWL458B.....	G8	LJWT6C.....	G8
L060690.....	G2	LJW64.....	G8	LJWL458C.....	G8	LJWT8A.....	G8
L060690G.....	G2	LJW65.....	G8	LJWL90126A.....	G8	LJWT8C.....	G8
L080845.....	G2	LJW6ASP.....	G8	LJWL90126B.....	G8	LJWX126.....	G8
L080845G.....	G2	LJW6QRSP.....	G8	LJWL90126C.....	G8	LJWX2.....	G8
L080890.....	G2	LJW81.....	G8	LJWL902A.....	G8	LJWX4.....	G8
L080890G.....	G2	LJW810.....	G8	LJWL902B.....	G8	LJWX6.....	G8
L101045.....	G2	LJW81CCW.....	G8	LJWL902C.....	G8	LJWX8.....	G8
L101045G.....	G2	LJW81CW.....	G8	LJWL904A.....	G8	LOH100806.....	B8
L101090.....	G2	LJW82.....	G8	LJWL904B.....	G8	LOH121006.....	B8
L101090G.....	G2	LJW83.....	G8	LJWL904C.....	G8	LOH121206.....	B8
L121245.....	G2	LJW84.....	G8	LJWL906A.....	G8	LOH161206.....	B8
L121245G.....	G2	LJW85.....	G8	LJWL906B.....	G8	LOH161606.....	B8
L121290.....	G2	LJW8ASP.....	G8	LJWL906C.....	G8	LOH201606.....	B8

PART NUMBER	PAGE	PART NUMBER	PAGE	PART NUMBER	PAGE	PART NUMBER	PAGE
LOH202008	B8	N12302408	C16	N12606010	C21	N1C202410LP	A10
LOH242008	B8	N12302410	C16	N12606012	C21	N1C203006LP	A10
LOH242408	B8	N12302412	C16	N12606016	C21	N1C242008LP	A10
LOH302408	B8	N12302416	C16	N12606024	C21	N1C242406LP	A10
MM08600-4	K24-K42	N12302420	C16	N12723012	C16	N1C242408LP	A10
MM08601-5	K24-K42	N12302424	C16	N12723016	C16	N1C242412LP	A10
MM08602-7	K24-K42	N12303008	C16	N12723612	C16	N1C243006LP	A10
MM08608-10	K24-K42	N12303012	C16	N12726010	C21	N1C243008LP	A10
N12122406	C16	N12303608	C16	N12726012	C21	N1C243010LP	A10
N12122408	C16	N12362406	C16	N12726016	C21	N1C243012LP	A10
N12161206	C16	N12362408	C16	N12726020	C21	N1C243606LP	A10
N12161208	C16	N12362410	C16	N12726024	C21	N1C243608LP	A10
N12161210	C16	N12362412	C16	N12727210	C21	N1C303008LP	A10
N12161606	C16	N12363006	C16	N12727212	C21	N1C303606LP	A10
N12161608	C16	N12363008	C16	N12727216	C21	N1C303608LP	A10
N12162006	C16	N12363010	C16	N12727220	C21	N1C303612LP	A10
N12162008	C16	N12363012	C16	N12727224	C21	N1C304209	A12
N12201206	C16	N12363016	C16	N1C060604	A8	N1C304213	A12
N12201208	C16	N12363020	C16	N1C060804	A8	N1C364209	A12
N12201606	C16	N12363608	C16	N1C060806	A8	N1C364809	A12
N12201608	C16	N12363612	C16	N1C080804	A8	N1C364811	A12
N12201610	C16	N12422408	C16	N1C080806	A8	N1C364817	A12
N12201612	C16	N12423008	C16	N1C081004	A8	N1P0606	I3
N12202006	C16	N12423010	C16	N1C081006	A8	N1P0606PP	I3
N12202008	C16	N12423012	C16	N1C101004	A8	N1P0608	I3
N12202010	C16	N12423608	C16	N1C101006	A8	N1P0608PP	I3
N12202406	C16	N12423610	C16	N1C101204	A8	N1P0808	I3
N12202408	C16	N12423612	C16	N1C101206	A8	N1P0808PP	I3
N12241206	C16	N12423616	C16	N1C121204	A8	N1P0810	I3
N12241208	C16	N12482408	C16	N1C121206	A8	N1P0810PP	I3
N12241210	C16	N12483008	C16	N1C121208	A8	N1P1010	I3
N12241606	C16	N12483010	C16	N1C121404	A8	N1P1010PP	I3
N12241608	C16	N12483608	C16	N1C121406	A8	N1P1012	I3
N12242006	C16	N12483610	C16	N1C121408	A8	N1P1012PP	I3
N12242008	C16	N12483612	C16	N1C121606LP	A8	N1P1212	I3
N12242010	C16	N12483616	C16	N1C121606S	A8	N1P1212PP	I3
N12242012	C16	N12483620	C16	N1C121608LP	A8	N1P1214	I3
N12242016	C16	N12544208	C21	N1C122006	A8	N1P1214PP	I3
N12242406	C16	N12603608	C16	N1C14T	J2-J19	N1P1216	I3
N12242408	C16	N12603610	C16	N1C14TKL	J2-J19	N1P1216PP	I3
N12242410	C16	N12603612	C16	N1C161606LP	A10	N1P1216L	A11
N12242412	C16	N12603616	C16	N1C162006LP	A10	N1P1216LPP	A11
N12242416	C16	N12603620	C16	N1C162008LP	A10	N1P1220	I3
N12243008	C16	N12604808	C21	N1C162406LP	A10	N1P1220PP	I3
N12301606	C16	N12604810	C21	N1C201606LP	A10	N1P1616	A11
N12302006	C16	N12604812	C21	N1C202006LP	A10	N1P1616PP	A11
N12302008	C16	N12604816	C21	N1C202008LP	A10	N1P1620	A11
N12302010	C16	N12604820	C21	N1C202406LP	A10	N1P1620PP	A11
N12302406	C16	N12604824	C21	N1C202408LP	A10	N1P1624	A11

PART NUMBER	PAGE	PART NUMBER	PAGE	PART NUMBER	PAGE	PART NUMBER	PAGE
N1P1624PP	A11	N41214TSS3	J2-J19	N412161210SSC	D16-E19	N412201606CLG	D8
N1P2016	A11	N41214TTH	J2-J19	N412161210WC	D8-D11	N412201606CST	D16
N1P2016PP	A11	N41214TTH3	J2-J19	N412161210WCLG	D11	N412201606SS	OBSOLETE
N1P2020	A11	N41214TTH3KL	J2-J19	N412161210WSSC	D16-E19	N412201606SS3PTC	E21-E22
N1P2020PP	A11	N41214TTHKL	J2-J19	N412161606	OBSOLETE	N412201606SSA	OBSOLETE
N1P2024	A11	N41214TTRI	J2-J19	N4121616063PTC	D14	N412201606SSA3PTC	E21-E22
N1P2024PP	A11	N41214TTRI3	J2-J19	N412161606C	D8-D11	N412201606SSAC	D16-E19
N1P2030	A11	N41214TTRIK	J2-J19	N412161606CLG	D8	N412201606SSC	D16-E19
N1P2030PP	A11	N41214TVP	J2-J19	N412161606SS	OBSOLETE	N412201606W	OBSOLETE
N1P2420	A11	N41214TVP3	J2-J19	N412161606SS3PTC	E21-E22	N412201606WC	D8-D11
N1P2420PP	A11	N41214TVPK	J2-J19	N412161606SSA	OBSOLETE	N412201606WCLG	D11
N1P2424	A11	N41214TW	J2-J19	N412161606SSA3PTC	E21-E22	N412201606WSS	OBSOLETE
N1P2424PP	A11	N41214TW3	J2-J19	N412161606SSAC	D16-E19	N412201606WSSC	D16-E19
N1P2430	A11	N41214TWPL	J2-J19	N412161606SSC	D16-E19	N412201608	OBSOLETE
N1P2430PP	A11	N41214TWPL3	J2-J19	N412161608	OBSOLETE	N4122016083PTC	D14
N1P2436	A11	N412161206	OBSOLETE	N4121616083PTC	D14	N412201608C	D8-D11
N1P2436PP	A11	N4121612063PTC	D14	N412161608C	D8-D11	N412201608CLG	D8
N1P3030	A11	N412161206C	D8-D11	N412161608CLG	D8	N412201608CSSST	E24
N1P3030PP	A11	N412161206CLG	D8	N412161608CSSST	E24	N412201608CST	D16
N1P3036	A11	N412161206CST	D16	N412161608CST	D16	N412201608SS	OBSOLETE
N1P3036PP	A11	N412161206SS	OBSOLETE	N412161608SS	OBSOLETE	N412201608SS3PTC	E21-E22
N412121206	OBSOLETE	N412161206SS3PTC	E21-E22	N412161608SS3PTC	E21-E22	N412201608SSA	OBSOLETE
N4121212063PTC	D14	N412161206SSA	OBSOLETE	N412161608SSA	OBSOLETE	N412201608SSA3PTC	E21-E22
N412121206C	D8-D11	N412161206SSA3PTC	E21-E22	N412161608SSA3PTC	E21-E22	N412201608SSAC	D16-E19
N412121206CLG	D8	N412161206SSAC	D16-E19	N412161608SSAC	D16-E19	N412201608SSC	D16-E19
N412121206CST	D16	N412161206SSC	D16-E19	N412161608SSC	D16-E19	N412201608W	OBSOLETE
N412121206SS	OBSOLETE	N412161206W	OBSOLETE	N412161610C	D8-D11	N412201608WC	D8-D11
N412121206SS3PTC	E21-E22	N412161206WC	D8-D11	N412161610CLG	D8	N412201608WCLG	D11
N412121206SSA	OBSOLETE	N412161206WCLG	D11	N412161610SSC	D16-E19	N412201608WSS	OBSOLETE
N412121206SSA3PTC	E21-E22	N412161206WSS	OBSOLETE	N412162006	OBSOLETE	N412201608WSSC	D16-E19
N412121206SSAC	D16-E19	N412161206WSSC	D16-E19	N4121620063PTC	D14	N412201610C	D8-D11
N412121206SSC	D16-E19	N412161208	OBSOLETE	N412162006C	D8-D11	N412201610CLG	D8
N412121206W	OBSOLETE	N4121612083PTC	D14	N412162006CLG	D8	N412201610SSC	D16-E19
N412121206WC	D8-D11	N412161208C	D8-D11	N412162008	OBSOLETE	N412201610WC	D8-D11
N412121206WCLG	D11	N412161208CLG	D8	N4121620083PTC	D14	N412201610WCLG	D11
N412121206WSS	OBSOLETE	N412161208CSSLT	E24	N412162008C	D8-D11	N412201610WSSC	D16-E19
N412121206WSSC	D16-E19	N412161208SS	OBSOLETE	N412162008CLG	D8	N412201612CSSST	E24
N412121208W	OBSOLETE	N412161208SS3PTC	E21-E22	N412162008SS	OBSOLETE	N412202006	OBSOLETE
N412121208WC	D8-D11	N412161208SSA	OBSOLETE	N412162008SS3PTC	E21-E22	N4122020063PTC	D14
N412121208WCLG	D11	N412161208SSA3PTC	E21-E22	N412162008SSA	OBSOLETE	N412202006C	D8-D11
N41214SQ	J2-J19	N412161208SSAC	D16-E19	N412162008SSA3PTC	E21-E22	N412202006CLG	D8
N41214SQ3	J2-J19	N412161208SSC	D16-E19	N412162008SSAC	D16-E19	N412202006CST	D16
N41214SQK	J2-J19	N412161208W	OBSOLETE	N412162008SSC	D16-E19	N412202006SS	OBSOLETE
N41214T	J2-J19	N412161208WC	D8-D11	N412162010C	D8-D11	N412202006SS3PTC	E21-E22
N41214T3	J2-J19	N412161208WCLG	D11	N412162010CLG	D8	N412202006SSA	OBSOLETE
N41214TB	J2-J19	N412161208WSS	OBSOLETE	N412162010SSC	D16-E19	N412202006SSA3PTC	E21-E22
N41214TB3	J2-J19	N412161208WSSC	D16-E19	N412201606	OBSOLETE	N412202006SSAC	D16-E19
N41214TBKL	J2-J19	N412161210C	D8-D11	N4122016063PTC	D14	N412202006SSC	D16-E19
N41214TSS	J2-J19	N412161210CLG	D8	N412201606C	D8-D11	N412202006W	OBSOLETE

PART NUMBER	PAGE	PART NUMBER	PAGE	PART NUMBER	PAGE	PART NUMBER	PAGE
N412202006WC	D8-D11	N412202408C	D8-D11	N412242010SSC	D16-E19	N412242410WSSC	D16-E19
N412202006WCLG	D11	N412202408CLG	D8	N412242010WC	D8-D11	N412242412	OBSOLETE
N412202006WSS	OBSOLETE	N412202410C	D8-D11	N412242010WCLG	D11	N4122424123PTC	D14
N412202006WSSC	D16-E19	N412202410CLG	D8	N412242010WSSC	D16-E19	N412242412C	D8-D11
N412202008	OBSOLETE	N412241606	OBSOLETE	N412242012	OBSOLETE	N412242412CLG	D8
N4122020083PTC	D14	N4122416063PTC	D14	N4122420123PTC	D14	N412242412CSSST	E24
N412202008C	D8-D11	N412241606C	D8-D11	N412242012C	D8-D11	N412242412CST	D16
N412202008CLG	D8	N412241606CLG	D8	N412242012CLG	D8	N412242412SS	OBSOLETE
N412202008CSSST	E24	N412241608	OBSOLETE	N412242012W	OBSOLETE	N412242412SS3PTC	E21-E22
N412202008CST	D16	N4122416083PTC	D14	N412242012WC	D8-D11	N412242412SSA	OBSOLETE
N412202008SS	OBSOLETE	N412241608C	D8-D11	N412242012WCLG	D11	N412242412SSA3PTC	E21-E22
N412202008SS3PTC	E21-E22	N412241608CLG	D8	N412242012WSS	OBSOLETE	N412242412SSAC	D16-E19
N412202008SSA	OBSOLETE	N412241608SS	OBSOLETE	N412242012WSSC	D16-E19	N412242412SSC	D16-E19
N412202008SSA3PTC	E21-E22	N412241608SS3PTC	E21-E22	N412242208CD	F6	N412242412W	OBSOLETE
N412202008SSAC	D16-E19	N412241608SSA	OBSOLETE	N412242208CDSS	D16-E19	N412242412WC	D8-D11
N412202008SSC	D16-E19	N412241608SSA3PTC	E21-E22	N412242208CDSSA	F7	N412242412WCLG	D11
N412202008W	OBSOLETE	N412241608SSAC	D16-E19	N412242208CSTD	F8	N412242412WSS	OBSOLETE
N412202008WC	D8-D11	N412241608SSC	D16-E19	N412242406	OBSOLETE	N412242412WSSC	D16-E19
N412202008WCLG	D11	N412241610C	D8-D11	N4122424063PTC	D14	N412242416	OBSOLETE
N412202008WSS	OBSOLETE	N412241610CLG	D8	N412242406C	D8-D11	N4122424163PTC	D14
N412202008WSSC	D16-E19	N412241610SSC	D16-E19	N412242406CLG	D8	N412242416C	D8-D11
N412202010C	D8-D11	N412242006	OBSOLETE	N412242406W	OBSOLETE	N412242416CLG	D8
N412202010CLG	D8	N4122420063PTC	D14	N412242406WC	D8-D11	N412242416W	OBSOLETE
N412202010SSC	D16-E19	N412242006C	D8-D11	N412242406WCLG	D11	N412242416WC	D8-D11
N412202010WC	D8-D11	N412242006CLG	D8	N412242406WSS	OBSOLETE	N412242416WCLG	D11
N412202010WCLG	D11	N412242006W	OBSOLETE	N412242406WSSC	D16-E19	N412242416WSS	OBSOLETE
N412202010WSSC	D16-E19	N412242006WC	D8-D11	N412242408	OBSOLETE	N412242416WSSC	D16-E19
N412202012	OBSOLETE	N412242006WCLG	D11	N4122424083PTC	D14	N412242420	OBSOLETE
N4122020123PTC	D14	N412242006WSS	OBSOLETE	N412242408C	D8-D11	N4122424203PTC	D14
N412202012C	D8-D11	N412242006WSSC	D16-E19	N412242408CLG	D8	N412242420C	D8-D11
N412202012CLG	D8	N412242008	OBSOLETE	N412242408CSSST	E24	N412242420CLG	D8
N412202012CSSST	E24	N4122420083PTC	D14	N412242408CST	D16	N412242420W	OBSOLETE
N412202012SS	OBSOLETE	N412242008C	D8-D11	N412242408SS	OBSOLETE	N412242420WC	D8-D11
N412202012SS3PTC	E21-E22	N412242008CLG	D8	N412242408SS3PTC	E21-E22	N412242420WCLG	D11
N412202012SSA	OBSOLETE	N412242008CSSST	E24	N412242408SSA	OBSOLETE	N412242420WSS	OBSOLETE
N412202012SSA3PTC	E21-E22	N412242008CST	D16	N412242408SSA3PTC	E21-E22	N412242420WSSC	D16-E19
N412202012SSAC	D16-E19	N412242008SS	OBSOLETE	N412242408SSAC	D16-E19	N412242608CD	F6
N412202012SSC	D16-E19	N412242008SS3PTC	E21-E22	N412242408SSC	D16-E19	N412242608CDSS	D16-E19
N412202012W	OBSOLETE	N412242008SSA	OBSOLETE	N412242408W	OBSOLETE	N412242608CDSSA	F7
N412202012WC	D8-D11	N412242008SSA3PTC	E21-E22	N412242408WC	D8-D11	N412242608CSSSTD	F8
N412202012WCLG	D11	N412242008SSAC	D16-E19	N412242408WCLG	D11	N412242608CSTD	F8
N412202012WSS	OBSOLETE	N412242008SSC	D16-E19	N412242408WSS	OBSOLETE	N412243008	OBSOLETE
N412202012WSSC	D16-E19	N412242008W	OBSOLETE	N412242408WSSC	D16-E19	N4122430083PTC	D14
N412202208CD	F6	N412242008WC	D8-D11	N412242410C	D8-D11	N412243008C	D8-D11
N412202208CDSS	D16-E19	N412242008WCLG	D11	N412242410CLG	D8	N412243008CLG	D8
N412202208CDSSA	F7	N412242008WSS	OBSOLETE	N412242410CST	D16	N412243010C	D8-D11
N412202208CSTD	F8	N412242008WSSC	D16-E19	N412242410SSC	D16-E19	N412243010CLG	D8
N412202408	OBSOLETE	N412242010C	D8-D11	N412242410WC	D8-D11	N412302008	OBSOLETE
N4122024083PTC	D14	N412242010CLG	D8	N412242410WCLG	D11	N4123020083PTC	D14

PART NUMBER	PAGE	PART NUMBER	PAGE	PART NUMBER	PAGE	PART NUMBER	PAGE
N412302008C	D8-D11	N412302412WSSC	D16-E19	N4123624123PTC	D14	N412363020CLG	D8
N412302008CLG	D8	N412302420	OBSOLETE	N412362412C	D8-D11	N412363208CD	F6
N412302010C	D8-D11	N4123024203PTC	D14	N412362412CLG	D8	N412363208CDSS	D16-E19
N412302010CLG	D8	N412302420C	D8-D11	N412362412SS	OBSOLETE	N412363208CDSSA	F7
N412302406W	OBSOLETE	N412302420CLG	D8	N412362412SS3PTC	E21-E22	N412363208CSSSTD	F8
N412302406WC	D8-D11	N412302420CST	D16	N412362412SSA	OBSOLETE	N412363210CSTD	F8
N412302406WCLG	D11	N412302420W	OBSOLETE	N412362412SSA3PTC	E21-E22	N412363608	OBSOLETE
N412302406WSS	OBSOLETE	N412302420WC	D8-D11	N412362412SSAC	D16-E19	N4123636083PTC	D14
N412302406WSSC	D16-E19	N412302420WCLG	D11	N412362412SSC	D16-E19	N412363608C	D8-D11
N412302408	OBSOLETE	N412302420WSS	OBSOLETE	N412362608CD	F6	N412363608CLG	D8
N4123024083PTC	D14	N412302420WSSC	D16-E19	N412362608CDSS	D16-E19	N412363610C	D8-D11
N412302408C	D8-D11	N412302608CD	F6	N412362608CDSSA	F7	N412363610CLG	D8
N412302408CLG	D8	N412302608CDSS	D16-E19	N412363008	OBSOLETE	N412363610SSC	D16-E19
N412302408CSSST	E24	N412302608CDSSA	F7	N4123630083PTC	D14	N412363612	OBSOLETE
N412302408CST	D16	N412302608CSSSTD	F8	N412363008C	D8-D11	N4123636123PTC	D14
N412302408SS	OBSOLETE	N412302608CSTD	F8	N412363008CLG	D8	N412363612C	D8-D11
N412302408SS3PTC	E21-E22	N412303008	OBSOLETE	N412363008CDSS	D16-E19	N412363612CLG	D8
N412302408SSA	OBSOLETE	N4123030083PTC	D14	N412363008CDSSA	F7	N412363612CSSST	E24
N412302408SSA3PTC	E21-E22	N412303008C	D8-D11	N412363008CST	D16	N412363612CST	D16
N412302408SSAC	D16-E19	N412303008CLG	D8	N412363008SS	OBSOLETE	N412363612SS	OBSOLETE
N412302408SSC	D16-E19	N412303008CST	E24	N412363008SSA	OBSOLETE	N412363612SS3PTC	E21-E22
N412302408W	OBSOLETE	N412303008CST	D16	N412363008SSA3PTC	E21-E22	N412363612SSA	OBSOLETE
N412302408WC	D8-D11	N412303008SS	OBSOLETE	N412363008SSAC	D16-E19	N412363612SSA3PTC	E21-E22
N412302408WCLG	D11	N412303008SS3PTC	E21-E22	N412363008SSC	D16-E19	N412363612SSAC	D16-E19
N412302408WSS	OBSOLETE	N412303008SSA	OBSOLETE	N412363010C	D8-D11	N412363612SSC	D16-E19
N412302408WSSC	D16-E19	N412303008SSA3PTC	E21-E22	N412363010CLG	D8	N412402412	OBSOLETE
N412302410C	D8-D11	N412303008SSAC	D16-E19	N412363010CST	D16	N4124024123PTC	D14
N412302410CLG	D8	N412303008SSC	D16-E19	N412363010SSC	D16-E19	N412402412C	D8-D11
N412302410CST	D16	N412303010C	D8-D11	N412363012	OBSOLETE	N412402412CLG	D8
N412302410SSC	D16-E19	N412303010CLG	D8	N4123630123PTC	D14	N412423212CD	F6
N412302410WC	D8-D11	N412303010SSC	D16-E19	N412363012C	D8-D11	N412423212CDSS	D16-E19
N412302410WCLG	D11	N412303012	OBSOLETE	N412363012CLG	D8	N412423212CDSSA	F7
N412302410WSSC	D16-E19	N4123030123PTC	D14	N412363012CSSST	E24	N412423212CSTD	F8
N412302412	OBSOLETE	N412303012C	D8-D11	N412363012CST	D16	N412423610C	D8-D11
N4123024123PTC	D14	N412303012CLG	D8	N412363012SS	OBSOLETE	N412423610CLG	D8
N412302412C	D8-D11	N412362408	OBSOLETE	N412363012SS3PTC	E21-E22	N412423610SSC	D16-E19
N412302412CLG	D8	N4123624083PTC	D14	N412363012SSA	OBSOLETE	N412423612	OBSOLETE
N412302412CSSST	E24	N412362408C	D8-D11	N412363012SSA3PTC	E21-E22	N4124236123PTC	D14
N412302412CST	D16	N412362408CLG	D8	N412363012SSAC	D16-E19	N412423612C	D8-D11
N412302412SS	OBSOLETE	N412362408SS	OBSOLETE	N412363012SSC	D16-E19	N412423612CLG	D8
N412302412SS3PTC	E21-E22	N412362408SSA	OBSOLETE	N412363016	OBSOLETE	N412423612SS	OBSOLETE
N412302412SSA	OBSOLETE	N412362408SSA3PTC	E21-E22	N4123630163PTC	D14	N412423612SS3PTC	E21-E22
N412302412SSA3PTC	E21-E22	N412362408SSAC	D16-E19	N412363016C	D8-D11	N412423612SSA	OBSOLETE
N412302412SSAC	D16-E19	N412362408SSC	D16-E19	N412363016CLG	D8	N412423612SSA3PTC	E21-E22
N412302412SSC	D16-E19	N412362410C	D8-D11	N412363016CSSST	E24	N412423612SSAC	D16-E19
N412302412W	OBSOLETE	N412362410CLG	D8	N412363016CST	D16	N412423612SSC	D16-E19
N412302412WC	D8-D11	N412362410SSC	D16-E19	N412363020	OBSOLETE	N412423812CD	F6
N412302412WCLG	D11	N412362412	OBSOLETE	N4123630203PTC	D14	N412423812CDSS	D16-E19
N412302412WSS	OBSOLETE			N412363020C	D8-D11	N412423812CDSSA	F7

PART NUMBER	PAGE	PART NUMBER	PAGE	PART NUMBER	PAGE	PART NUMBER	PAGE
N412482410C	D8-D11	N412603812CDSSA	F7	N4D6260123PT	D24	NP2020PP	B7
N412482410CLG	D8	N412603812CSTD	F8	N4D746012	D20	NP2020SS	I4
N412482412	OBSOLETE	N412603816CSSSTD	F8	N4D7460123PT	D24	NP2020SSC	I5
N4124824123PTC	D14	N412MFK	J6	N4D747212	D20	NP2416	I4
N412482412C	D8-D11	N412MFKSS	J6	N4D7472123PT	D24	NP2416C	I5
N412482412CLG	D8	N4161206	D18	N4D747224	D20	NP2416CG	D8
N412483610C	D8-D11	N4161208	D18	N4D7472243PT	D24	NP2416G	C7, C16, D18
N412483610CLG	D8	N4161606	D18	N4S722518FS	D22	NP2416SS	I4
N412483610CST	D16	N4162006	D18	N4S722518FSSS	D38	NP2416SSC	I5
N412483610SSC	D16-E19	N4201606	D18	N4S722518FSSSA	D38	NP2420	I4
N412483612	OBSOLETE	N4201608	D18	N4S723124FS	D22	NP2420C	I5
N4124836123PTC	D14	N4201610	D18	N4S723124FSSS	D38	NP2420CG	D8
N412483612C	D8-D11	N4202006	D18	N4S723124FSSSA	D38	NP2420G	C7, C16, D18
N412483612CLG	D8	N4202008	D18	N4S723724FS	D22	NP2420PP	B7
N412483612CST	D16	N4202408	D18	N4S723724FSSS	D38	NP2420SS	I4
N412483612SS	OBSOLETE	N4241206	D18	N4S723724FSSSA	D38	NP2420SSC	I5
N412483612SS3PTC	E21-E22	N4241606	D18	NP1212	I4	NP2424	I4
N412483612SSA	OBSOLETE	N4242006	D18	NP1212C	I5	NP2424C	I5
N412483612SSA3PTC	E21-E22	N4242008	D18	NP1212CG	D8	NP2424CG	D8
N412483612SSAC	D16-E19	N4242010	D18	NP1212G	C7, C16, D18	NP2424G	C7, C16, D18
N412483612SSC	D16-E19	N4242406	D18	NP1224	I4	NP2424PP	B7
N412483616	OBSOLETE	N4242408	D18	NP1224G	C7, C16, D18	NP2424SS	I4
N4124836163PTC	D14	N4243008	D18	NP1612	I4	NP2424SSC	I5
N412483616C	D8-D11	N4302006	D18	NP1612C	I5	NP3016	I4
N412483616CLG	D8	N4302008	D18	NP1612CG	D8	NP3016G	C7, C16, D18
N412483616CSSST	E24	N4302406	D18	NP1612G	C7, C16, D18	NP3020	I4
N412483616CST	D16	N4302408	D18	NP1612PP	B7	NP3020C	I5
N412483812CD	F6	N4302410	D18	NP1612SS	I4	NP3020CG	D8
N412483812CDSS	D16-E19	N4302412	D18	NP1612SSC	I5	NP3020G	C7, C16, D18
N412483812CDSSA	F7	N4303008	D18	NP1616	I4	NP3020SS	I4
N412483812CSTD	F8	N4362406	D18	NP1616C	I5	NP3024	I4
N412483816CSSSTD	F8	N4362408	D18	NP1616CG	D8	NP3024C	I5
N412603610C	D8-D11	N4363008	D18	NP1616G	C7, C16, D18	NP3024CG	D8
N412603610CLG	D8	N4363010	D18	NP1616PP	B7	NP3024G	C7, C16, D18
N412603610SSC	D16-E19	N4363012	D18	NP1616SS	I4	NP3024PP	B7
N412603612	OBSOLETE	N4363016	D18	NP1616SSC	I5	NP3024SS	I4
N4126036123PTC	D14	N4423008	D18	NP2012	I4	NP3024SSC	I5
N412603612C	D8-D11	N4423608	D18	NP2012G	C7, C16, D18	NP3030	I4
N412603612CLG	D8	N4483010	D18	NP2016	I4	NP3030C	I5
N412603612CST	D16	N4483608	D18	NP2016C	I5	NP3030CG	D8
N412603612SS	OBSOLETE	N4483610	D18	NP2016CG	D8	NP3030G	C7, C16, D18
N412603612SS3PTC	E21-E22	N4483612	D18	NP2016G	C7, C16, D18	NP3030PP	B7
N412603612SSA	OBSOLETE	N4483616	D18	NP2016PP	B7	NP3030SS	I4
N412603612SSA3PTC	E21-E22	N4603608	D18	NP2016SS	I4	NP3030SSC	I5
N412603612SSAC	D16-E19	N4603610	D18	NP2016SSC	I5	NP3624	I4
N412603612SSC	D16-E19	N4603616	D18	NP2020	I4	NP3624C	I5
N412603616CSSST	E24	N4D624810	D20	NP2020C	I5	NP3624CG	D8
N412603812CD	F6	N4D6248103PT	D24	NP2020CG	D8	NP3624G	C7, C16, D18
N412603812CDSS	D16-E19	N4D626012	D20	NP2020G	C7, C16, D18	NP3624PP	B7

PART NUMBER	PAGE	PART NUMBER	PAGE	PART NUMBER	PAGE	PART NUMBER	PAGE
NP3624SS	.I4	NP6030G	.C7, C16, D18	P1010G	.C2	PB4BC	.H16-H26
NP3624SSC	.I5	NP6036	.I4	P1206	.I2	PB4S	.H16-H26
NP3630	.I4	NP6036C	.I5	P1206G	.C2	PB4SBC	.H16-H26
NP3630C	.I5	NP6036CG	.D8	P1210	.I2	PB5	.H16-H26
NP3630CG	.D8	NP6036G	.C7, C16, D18	P1210AL	.I2	PB5BC	.H16-H26
NP3630G	.C7, C16, D18	NP6036PP	.B7	P1210G	.C2	PB6	.H16-H26
NP3630PP	.B7	NP6036SS	.I4	P1210SS	.I2	PB6BC	.H16-H26
NP3630SS	.I4	NP6036SSC	.I5	P1212	.I2	PB6VL	.H16-H26
NP3630SSC	.I5	NP7230	.I4	P1212G	.C2	PB6VLBC	.H16-H26
NP3636	.I4	NP7230G	.C7, C16, D18	P1212SS	.I2	PB8	.H16-H26
NP3636C	.I5	NP7236	.I4	P1408	.I2	PB8BC	.H16-H26
NP3636CG	.D8	NP7236G	.C7, C16, D18	P1408G	.C2	PB9	.H16-H26
NP3636G	.C7, C16, D18	NPDD4242	.I7	P1412	.I2	PB9BC	.H16-H26
NP3636PP	.B7	NPDD4242G	.C19, C24	P1412AL	.I2	PBGX1	.H16-H26
NP3636SS	.I4	NPDD4260	.I7	P1412G	.C2	PBGX12	.H16-H26
NP3636SSC	.I5	NPDD4260G	.C19, C24	P1412SS	.I2	PBGX2	.H16-H26
NP3642C	.I5	NPDD4842	.I7	P1610	.I2	PBGX20	.H16-H26
NP3642CG	.D8	NPDD4842G	.C19, C24	P1610G	.C2	PBGX25	.H16-H26
NP4024	.I4	NPDD4848	.I7	P1614	.I2	PBGX3	.H16-H26
NP4024C	.I5	NPDD4848G	.C19, C24	P1614AL	.I2	PBGX4	.H16-H26
NP4024CG	.D8	NPDD5442	.I7	P1614G	.C2	PBGX6	.H16-H26
NP4024G	.C7, C16, D18	NPDD5442G	.C19, C24	P1614SS	.I2	PBGX9	.H16-H26
NP4224	.I4	NPDD6048	.I7	PA0202	.G2	PBSS1	.E2
NP4224G	.C7, C16, D18	NPDD6048G	.C19, C24	PA0202G	.G2	PBSS12	.E2
NP4230	.I4	NPDD6060	.I7	PA0404	.G2	PBSS12A	.E2
NP4230G	.C7, C16, D18	NPDD6060G	.C19, C24	PA0404G	.G2	PBSS1A	.E2
NP4230PP	.B7	NPDD7260	.I7	PA0606	.G2	PBSS2	.E2
NP4230SS	.I4	NPDD7260G	.C19, C24	PA0606G	.G2	PBSS2A	.E2
NP4236	.I4	NPDD7272	.I7	PA0808	.G2	PBSS3	.E2
NP4236C	.I5	NPDD7272G	.C19, C24	PA0808G	.G2	PBSS3A	.E2
NP4236CG	.D8	P0604	.I2	PA1010	.G2	PBSS4	.E2
NP4236G	.C7, C16, D18	P0604AL	.I2	PA1010G	.G2	PBSS4A	.E2
NP4236PP	.B7	P0604G	.C2	PA1212	.G2	PBSS6	.E2
NP4236SS	.I4	P0604SS	.I2	PA1212G	.G2	PBSS6A	.E2
NP4236SSC	.I5	P0606	.I2	PB1	.H16-H26	PBSS9	.E2
NP4824	.I4	P0606AL	.I2	PB10	.H16-H26	PBSS9A	.E2
NP4824C	.I5	P0606G	.C2	PB10BC	.H16-H26	PBXD1	.H16-H26
NP4824CG	.D8	P0606SS	.I2	PB12	.H16-H26	PBXD10	.H16-H26
NP4824G	.C7, C16, D18	P0806	.I2	PB12BC	.H16-H26	PBXD12	.H16-H26
NP4830	.I4	P0806AL	.I2	PB16	.H16-H26	PBXD16	.H16-H26
NP4830G	.C7, C16, D18	P0806G	.C2	PB16BC	.H16-H26	PBXD16SS	.E2
NP4836	.I4	P0806SS	.I2	PB1BC	.H16-H26	PBXD16V	.H16-H26
NP4836C	.I5	P0808	.I2	PB2	.H16-H26	PBXD1SS	.E2
NP4836CG	.D8	P0808G	.C2	PB25	.H16-H26	PBXD2	.H16-H26
NP4836G	.C7, C16, D18	P1008	.I2	PB25BC	.H16-H26	PBXD20	.H16-H26
NP4836PP	.B7	P1008AL	.I2	PB2BC	.H16-H26	PBXD25	.H16-H26
NP4836SS	.I4	P1008G	.C2	PB3	.H16-H26	PBXD2SS	.E2
NP4836SSC	.I5	P1008SS	.I2	PB3BC	.H16-H26	PBXD3	.H16-H26
NP6030	.I4	P1010	.I2	PB4	.H16-H26	PBXD3SS	.E2

PART NUMBER	PAGE	PART NUMBER	PAGE	PART NUMBER	PAGE	PART NUMBER	PAGE
PBXD4	H16-H26	RHC423612	B6	RSC101004G	B2	RSC161610	B2
PBXD4S	H16-H26	RHC483612	B6	RSC101004GNK	B2	RSC161610G	B2
PBXD4SS	E2	RHC483616	B6	RSC101004NK	B2	RSC181804	B2
PBXD6	H16-H26	RHC603612	B6	RSC101006	B2	RSC181804G	B2
PBXD9	H16-H26	RSC040404	B2	RSC101006G	B2	RSC181804GNK	B2
PBYX12	H16-H26	RSC040404G	B2	RSC101006GNK	B2	RSC181804NK	B2
PBYX16	H16-H26	RSC040404GNK	B2	RSC101006NK	B2	RSC181806	B2
PBYX20	H16-H26	RSC040404NK	B2	RSC101204	B2	RSC181806G	B2
PBYX25	H16-H26	RSC040604	B2	RSC101204G	B2	RSC181806GNK	B2
PBYX30	H16-H26	RSC040604G	B2	RSC101204GNK	B2	RSC181806NK	B2
PBYX36	H16-H26	RSC040604GNK	B2	RSC101204NK	B2	RSC181808	B2
PBYX42	H16-H26	RSC040604NK	B2	RSC101206	B2	RSC181808G	B2
PBYX4S	H16-H26	RSC060604	B2	RSC101206G	B2	RSC182406	B2
PBYX6	H16-H26	RSC060604G	B2	RSC101206GNK	B2	RSC182406G	B2
PBYX9	H16-H26	RSC060604GNK	B2	RSC101206NK	B2	RSC182406GNK	B2
PSL1	H16-H26	RSC060604NK	B2	RSC121204	B2	RSC182406NK	B2
PSL2	H16-H26	RSC060606	B2	RSC121204G	B2	RSC182408	B2
PSL3	H16-H26	RSC060606G	B2	RSC121204GNK	B2	RSC182408G	B2
PSL4	H16-H26	RSC060606GNK	B2	RSC121204NK	B2	RSC202408	B2
R0402	G2	RSC060606NK	B2	RSC121206	B2	RSC202408G	B2
R0402G	G2	RSC060804	B2	RSC121206G	B2	RSC242406	B2
R0604	G2	RSC060804G	B2	RSC121206GNK	B2	RSC242406G	B2
R0604G	G2	RSC060804GNK	B2	RSC121206NK	B2	RSC242406GNK	B2
R0806	G2	RSC060804NK	B2	RSC121206NK	B2	RSC242406NK	B2
R0806G	G2	RSC060806	B2	RSC121208	B2	RSC242408	B2
R1008	G2	RSC060806G	B2	RSC121208G	B2	RSC242408G	B2
R1008G	G2	RSC060806GNK	B2	RSC121208G	B2	RSC242412	B2
R1208	G2	RSC060806NK	B2	RSC121210	B2	RSC242412G	B2
R1208G	G2	RSC080804	B2	RSC121210G	B2	RSC242416	B2
RHC060604	B4	RSC080804G	B2	RSC121504	B2	RSC242416G	B2
RHC060804	B4	RSC080804GNK	B2	RSC121504G	B2	RSC243008	B2
RHC080804	B4	RSC080804NK	B2	RSC121504GNK	B2	RSC243008G	B2
RHC080806	B4	RSC080806	B2	RSC121504NK	B2	RSC243612	B2
RHC081006	B4	RSC080806G	B2	RSC121506	B2	RSC243612G	B2
RHC101206	B4	RSC080806GNK	B2	RSC121506G	B2	RSC303012	B2
RHC121206	B4	RSC080806NK	B2	RSC121506GNK	B2	RSC303012G	B2
RHC161206	B6	RSC081004	B2	RSC121506NK	B2	RSC303016	B2
RHC161606	B6	RSC081004G	B2	RSC121806	B2	RSC303016G	B2
RHC201606	B6	RSC081004GNK	B2	RSC121806G	B2	RSC303612	B2
RHC202008	B6	RSC081004NK	B2	RSC121806GNK	B2	RSC303612G	B2
RHC242008	B6	RSC081006	B2	RSC121806NK	B2	RSC363612	B2
RHC242408	B6	RSC081006G	B2	RSC121808	B2	RSC363612G	B2
RHC302408	B6	RSC081006GNK	B2	RSC121808G	B2	RSC363616	B2
RHC303012	B6	RSC081006NK	B2	RSC151806	B2	RSC363616G	B2
RHC303016	B6	RSC081206	B2	RSC151806G	B2	RSC364816	B2
RHC362412	B6	RSC081206G	B2	RSC151806GNK	B2	RSC364816G	B2
RHC363012	B6	RSC081206GNK	B2	RSC151806NK	B2	RSCG040412	G18
RHC363612	B6	RSC081206NK	B2	RSC151808	B2	RSCG040412G	G18
RHC423012	B6	RSC101004	B2	RSC151808G	B2	RSCG040412GNK	G18

PART NUMBER	PAGE	PART NUMBER	PAGE	PART NUMBER	PAGE	PART NUMBER	PAGE
RSCG040412NK	G18	RSCG080836	G18	S2212G	G2	S4472GNK	G2
RSCG040424	G18	RSCG080836G	G18	S2212GNK	G2	S4472NK	G2
RSCG040424G	G18	RSCG080836GNK	G18	S2212NK	G2	S6612	G2
RSCG040424GNK	G18	RSCG080836NK	G18	S2224	G2	S66120	G2
RSCG040424NK	G18	RSCG080848	G18	S2224G	G2	S66120G	G2
RSCG040436	G18	RSCG080848G	G18	S2224GNK	G2	S66120GNK	G2
RSCG040436G	G18	RSCG080848GNK	G18	S2224NK	G2	S66120NK	G2
RSCG040436GNK	G18	RSCG080848NK	G18	S2236	G2	S6612G	G2
RSCG040436NK	G18	RSCG080860	G18	S2236G	G2	S6612GNK	G2
RSCG040448	G18	RSCG080860G	G18	S2236GNK	G2	S6612NK	G2
RSCG040448G	G18	RSCG080860GNK	G18	S2236NK	G2	S6624	G2
RSCG040448GNK	G18	RSCG080860NK	G18	S2248	G2	S6624G	G2
RSCG040448NK	G18	RSCG080872	G18	S2248G	G2	S6624GNK	G2
RSCG040460	G18	RSCG080872G	G18	S2248GNK	G2	S6624NK	G2
RSCG040460G	G18	RSCG080872GNK	G18	S2248NK	G2	S6636	G2
RSCG040460GNK	G18	RSCG080872NK	G18	S2260	G2	S6636G	G2
RSCG040460NK	G18	S1010120GNK	G2	S2260G	G2	S6636GNK	G2
RSCG040472	G18	S1010120NK	G2	S2260GNK	G2	S6636NK	G2
RSCG040472G	G18	S101012GNK	G2	S2260NK	G2	S6648	G2
RSCG040472GNK	G18	S101012NK	G2	S2272	G2	S6648G	G2
RSCG040472NK	G18	S101024GNK	G2	S2272G	G2	S6648GNK	G2
RSCG060612	G18	S101024NK	G2	S2272GNK	G2	S6648NK	G2
RSCG060612G	G18	S101036GNK	G2	S2272NK	G2	S6660	G2
RSCG060612GNK	G18	S101036NK	G2	S4412	G2	S6660G	G2
RSCG060612NK	G18	S101048GNK	G2	S44120	G2	S6660GNK	G2
RSCG060624	G18	S101048NK	G2	S44120G	G2	S6660NK	G2
RSCG060624G	G18	S101060GNK	G2	S44120GNK	G2	S6672	G2
RSCG060624GNK	G18	S101060NK	G2	S44120NK	G2	S6672G	G2
RSCG060624NK	G18	S101072GNK	G2	S4412G	G2	S6672GNK	G2
RSCG060636	G18	S101072NK	G2	S4412GNK	G2	S6672NK	G2
RSCG060636G	G18	S1212120GNK	G2	S4412NK	G2	S8812	G2
RSCG060636GNK	G18	S1212120NK	G2	S4424	G2	S88120	G2
RSCG060636NK	G18	S121212GNK	G2	S4424G	G2	S88120G	G2
RSCG060648	G18	S121212NK	G2	S4424GNK	G2	S88120GNK	G2
RSCG060648G	G18	S121224GNK	G2	S4424NK	G2	S88120NK	G2
RSCG060648GNK	G18	S121224NK	G2	S4436	G2	S8812G	G2
RSCG060648NK	G18	S121236GNK	G2	S4436G	G2	S8812GNK	G2
RSCG060660	G18	S121236NK	G2	S4436GNK	G2	S8812NK	G2
RSCG060660G	G18	S121248GNK	G2	S4436NK	G2	S8824	G2
RSCG060660GNK	G18	S121248NK	G2	S4448	G2	S8824G	G2
RSCG060660NK	G18	S121260GNK	G2	S4448G	G2	S8824GNK	G2
RSCG060672	G18	S121260NK	G2	S4448GNK	G2	S8824NK	G2
RSCG060672G	G18	S121272GNK	G2	S4448NK	G2	S8836	G2
RSCG060672GNK	G18	S121272NK	G2	S4460	G2	S8836G	G2
RSCG060672NK	G18	S2212	G2	S4460G	G2	S8836GNK	G2
RSCG080824	G18	S22120	G2	S4460GNK	G2	S8836NK	G2
RSCG080824G	G18	S22120G	G2	S4460NK	G2	S8848	G2
RSCG080824GNK	G18	S22120GNK	G2	S4472	G2	S8848G	G2
RSCG080824NK	G18	S22120NK	G2	S4472G	G2	S8848GNK	G2

PART NUMBER	PAGE	PART NUMBER	PAGE	PART NUMBER	PAGE	PART NUMBER	PAGE
S8848NK	G2	SC061206NK	A2	SC101204GNK	A2	SC121804NK	A2
S8860	G2	SC0612G	A5	SC101204NK	A2	SC121806	A2
S8860G	G2	SC0808	A5	SC101206	A2	SC121806G	A2
S8860GNK	G2	SC080804	A2	SC101206G	A2	SC121806GNK	A2
S8860NK	G2	SC080804G	A2	SC101206GNK	A2	SC121806NK	A2
S8872	G2	SC080804GNK	A2	SC101206NK	A2	SC121808	A2
S8872G	G2	SC080804NK	A2	SC1012G	A5	SC121808G	A2
S8872GNK	G2	SC080806	A2	SC1212	A5	SC121808GNK	A2
S8872NK	G2	SC080806G	A2	SC121204	A2	SC121808NK	A2
SC0404	A5	SC080806GNK	A2	SC121204G	A2	SC121810	A2
SC040404	A2	SC080806NK	A2	SC121204GNK	A2	SC121810G	A2
SC040404G	A2	SC080808	A2	SC121204NK	A2	SC121810GNK	A2
SC040404GNK	A2	SC080808G	A2	SC121206	A2	SC121810NK	A2
SC040404NK	A2	SC080808GNK	A2	SC121206G	A2	SC1218G	A5
SC0404G	A5	SC080808NK	A2	SC121206GNK	A2	SC1224	A5
SC0406	A5	SC0808G	A5	SC121206NK	A2	SC122404	A2
SC040604	A2	SC0810	A5	SC121208	A2	SC122404G	A2
SC040604G	A2	SC081004	A2	SC121208G	A2	SC122404GNK	A2
SC040604GNK	A2	SC081004G	A2	SC121208GNK	A2	SC122404NK	A2
SC040604NK	A2	SC081004GNK	A2	SC121208NK	A2	SC122406	A2
SC0406G	A5	SC081004NK	A2	SC121210	A2	SC122406G	A2
SC0606	A5	SC081006	A2	SC121210G	A2	SC122406GNK	A2
SC060604	A2	SC081006G	A2	SC121210GNK	A2	SC122406NK	A2
SC060604G	A2	SC081006GNK	A2	SC121210NK	A2	SC122408	A2
SC060604GNK	A2	SC081006NK	A2	SC121212	A2	SC122408G	A2
SC060604NK	A2	SC0810G	A5	SC121212G	A2	SC122408GNK	A2
SC060606	A2	SC0812	A5	SC121212GNK	A2	SC122408NK	A2
SC060606G	A2	SC081204	A2	SC121212NK	A2	SC122410	A2
SC060606GNK	A2	SC081204G	A2	SC1212G	A5	SC122410G	A2
SC060606NK	A2	SC081204GNK	A2	SC1215	A5	SC122410GNK	A2
SC0606G	A5	SC081204NK	A2	SC121504	A2	SC122410NK	A2
SC0608	A5	SC081206	A2	SC121504G	A2	SC122412	A2
SC060804	A2	SC081206G	A2	SC121504GNK	A2	SC122412G	A2
SC060804G	A2	SC081206GNK	A2	SC121504NK	A2	SC122412GNK	A2
SC060804GNK	A2	SC081206NK	A2	SC121506	A2	SC122412NK	A2
SC060804NK	A2	SC0812G	A5	SC121506G	A2	SC1224G	A5
SC060806	A2	SC1010	A5	SC121506GNK	A2	SC1515	A5
SC060806G	A2	SC101004	A2	SC121506NK	A2	SC151504	A2
SC060806GNK	A2	SC101004G	A2	SC1215G	A5	SC151504G	A2
SC060806NK	A2	SC101004GNK	A2	SC1216	A5	SC151504GNK	A2
SC0608G	A5	SC101004NK	A2	SC121608	A2	SC151504NK	A2
SC0612	A5	SC101006	A2	SC121608G	A2	SC151506	A2
SC061204	A2	SC101006G	A2	SC121608GNK	A2	SC151506G	A2
SC061204G	A2	SC101006GNK	A2	SC121608NK	A2	SC151506GNK	A2
SC061204GNK	A2	SC101006NK	A2	SC1216G	A5	SC151506NK	A2
SC061204NK	A2	SC1010G	A5	SC1218	A5	SC1515G	A5
SC061206	A2	SC1012	A5	SC121804	A2	SC1518	A5
SC061206G	A2	SC101204	A2	SC121804G	A2	SC151804	A2
SC061206GNK	A2	SC101204G	A2	SC121804GNK	A2	SC151804G	A2

PART NUMBER	PAGE	PART NUMBER	PAGE	PART NUMBER	PAGE	PART NUMBER	PAGE
SC151804GNK	A2	SC182412G	A2	SC243608G	A2	SCF1212	A2-A5
SC151804NK	A2	SC182412GNK	A2	SC243608GNK	A2	SCF1212G	A2-A5
SC151806	A2	SC182412NK	A2	SC243608NK	A2	SCF1215	A2-A5
SC151806G	A2	SC1824G	A5	SC243610	A2	SCF1215G	A2-A5
SC151806GNK	A2	SC1830	A5	SC243610G	A2	SCF1216	A2-A5
SC151806NK	A2	SC183004	A2	SC243610GNK	A2	SCF1216G	A2-A5
SC1518G	A5	SC183004G	A2	SC243610NK	A2	SCF1218	A2-A5
SC1616	A5	SC183004GNK	A2	SC243612	A2	SCF1218G	A2-A5
SC1616G	A5	SC183004NK	A2	SC243612G	A2	SCF1224	A2-A5
SC1818	A5	SC1830G	A5	SC243612GNK	A2	SCF1224G	A2-A5
SC181804	A2	SC2424	A5	SC243612NK	A2	SCF1515	A2-A5
SC181804G	A2	SC242404	A2	SC303008GNK	A2	SCF1515G	A2-A5
SC181804GNK	A2	SC242404G	A2	SC303008NK	A2	SCF1518	A2-A5
SC181804NK	A2	SC242404GNK	A2	SC303010GNK	A2	SCF1518G	A2-A5
SC181806	A2	SC242404NK	A2	SC303010NK	A2	SCF1616	A2-A5
SC181806G	A2	SC242406	A2	SC303012GNK	A2	SCF1616G	A2-A5
SC181806GNK	A2	SC242406G	A2	SC303012NK	A2	SCF1818	A2-A5
SC181806NK	A2	SC242406GNK	A2	SC303608GNK	A2	SCF1818G	A2-A5
SC181808	A2	SC242406NK	A2	SC303608NK	A2	SCF1824	A2-A5
SC181808G	A2	SC242408	A2	SC303610GNK	A2	SCF1824G	A2-A5
SC181808GNK	A2	SC242408G	A2	SC303610NK	A2	SCF1830	A2-A5
SC181808NK	A2	SC242408GNK	A2	SC303612GNK	A2	SCF1830G	A2-A5
SC181810	A2	SC242408NK	A2	SC303612NK	A2	SCF2424	A2-A5
SC181810G	A2	SC242410	A2	SC363608GNK	A2	SCF2424G	A2-A5
SC181810GNK	A2	SC242410G	A2	SC363608NK	A2	SDN12202108	F3-F5
SC181810NK	A2	SC242410GNK	A2	SC363610GNK	A2	SDN12202108PL	F3-F5
SC181812	A2	SC242410NK	A2	SC363610NK	A2	SDN12202110	F3-F5
SC181812G	A2	SC242412	A2	SC363612GNK	A2	SDN12202110PL	F3-F5
SC181812GNK	A2	SC242412G	A2	SC363612NK	A2	SDN12242108	F3-F5
SC181812NK	A2	SC242412GNK	A2	SCF0404	A2-A5	SDN12242108PL	F3-F5
SC1818G	A5	SC242412NK	A2	SCF0404G	A2-A5	SDN12242110	F3-F5
SC1824	A5	SC2424G	A5	SCF0406	A2-A5	SDN12242110PL	F3-F5
SC182404	A2	SC243006	A2	SCF0406G	A2-A5	SDN12242508	F3-F5
SC182404G	A2	SC243006G	A2	SCF0606	A2-A5	SDN12242508PL	F3-F5
SC182404GNK	A2	SC243006GNK	A2	SCF0606G	A2-A5	SDN12242510	F3-F5
SC182404NK	A2	SC243006NK	A2	SCF0608	A2-A5	SDN12242510PL	F3-F5
SC182406	A2	SC243008	A2	SCF0608G	A2-A5	SDN12302108	F3-F5
SC182406G	A2	SC243008G	A2	SCF0612	A2-A5	SDN12302108PL	F3-F5
SC182406GNK	A2	SC243008GNK	A2	SCF0612G	A2-A5	SDN12302110	F3-F5
SC182406NK	A2	SC243008NK	A2	SCF0808	A2-A5	SDN12302110PL	F3-F5
SC182408	A2	SC243010	A2	SCF0808G	A2-A5	SDN12302508	F3-F5
SC182408G	A2	SC243010G	A2	SCF0810	A2-A5	SDN12302508PL	F3-F5
SC182408GNK	A2	SC243010GNK	A2	SCF0810G	A2-A5	SDN12302510	F3-F5
SC182408NK	A2	SC243010NK	A2	SCF0812	A2-A5	SDN12302510PL	F3-F5
SC182410	A2	SC243012	A2	SCF0812G	A2-A5	SDN12302612	F3-F5
SC182410G	A2	SC243012G	A2	SCF1010	A2-A5	SDN12302612PL	F3-F5
SC182410GNK	A2	SC243012GNK	A2	SCF1010G	A2-A5	SDN12362508	F3-F5
SC182410NK	A2	SC243012NK	A2	SCF1012	A2-A5	SDN12362508PL	F3-F5
SC182412	A2	SC243608	A2	SCF1012G	A2-A5	SDN12362510	F3-F5

PART NUMBER	PAGE	PART NUMBER	PAGE	PART NUMBER	PAGE	PART NUMBER	PAGE
SDN12362510PL	F3-F5	SL121290G	G2	SSJWFF4	G16	SSN42424083PT	E32
SDN12363108	F3-F5	SN4242108	F10	SSJWFF6	G16	SSN42424083PTA	E32
SDN12363108PL	F3-F5	SN4242508	F10	SSJWL454	G16	SSN42424083PTW	E34
SDN12363110	F3-F5	SN4302508	F10	SSJWL456	G16	SSN4242408A	E28
SDN12363110PL	F3-F5	SN4363108	F10	SSJWL904	G16	SSN4242412	E28
SDN12363116	F3-F5	SN4423112	F10	SSJWL906	G16	SSN42424123PT	E32
SDN12363116PL	F3-F5	SN4423712	F10	SSJWN446	G16	SSN42424123PTA	E32
SDN12363212	F3-F5	SN4483712	F10	SSJWN666	G16	SSN42424123PTW	E34
SDN12363212PL	F3-F5	SN4603712	F10	SSJWRB64C	G16	SSN4242412A	E28
SDN12423108	F3-F5	SSDK12	J4	SSJWRB64E	G16	SSN4243008	E28
SDN12423108PL	F3-F5	SSDK16	J4	SSJWS4	G16	SSN4243008A	E28
SDN12423110	F3-F5	SSDK20	J4	SSJWS6	G16	SSN4244208WF3PT	E26
SDN12423110PL	F3-F5	SSDK24	J4	SSJWT4	G16	SSN4244808WF3PT	E26
SDN12423212	F3-F5	SSDK30	J4	SSJWT6	G16	SSN4302008	E28
SDN12423212PL	F3-F5	SSDK36	J4	SSN4161206	E28	SSN4302008A	E28
SDN12423708	F3-F5	SSFK0608	J10	SSN4161206A	E28	SSN4302408	E28
SDN12423708PL	F3-F5	SSFK0610	J10	SSN4161208	E28	SSN43024083PT	E32
SDN12423710	F3-F5	SSFK0612	J10	SSN4161208A	E28	SSN43024083PTA	E32
SDN12423710PL	F3-F5	SSFK0618	J10	SSN4161606	E28	SSN43024083PTW	E34
SDN12423812	F3-F5	SSFK0624	J10	SSN4161606A	E28	SSN4302408A	E28
SDN12423812PL	F3-F5	SSFK1208	J10	SSN4162006	E28	SSN4302410	E28
SDN12483708	F3-F5	SSFK1210	J10	SSN4162006A	E28	SSN4302410A	E28
SDN12483708PL	F3-F5	SSFK1212	J10	SSN4201606	E28	SSN4302412	E28
SDN12483710	F3-F5	SSFK1216	J10	SSN4201606A	E28	SSN43024123PT	E32
SDN12483710PL	F3-F5	SSFK1218	J10	SSN4201608	E28	SSN43024123PTA	E32
SDN12483812	F3-F5	SSFK1220	J10	SSN4201608A	E28	SSN4302412A	E28
SDN12483812PL	F3-F5	SSFK1224	J10	SSN4201610	E28	SSN4302416	E28
SDN12483816	F3-F5	SSFK2410	J10	SSN4201610A	E28	SSN4302416A	E28
SDN12483816PL	F3-F5	SSFK2412	J10	SSN4202006	E28	SSN4303008	E28
SDN12603710	F3-F5	SSJW41	G16	SSN4202006A	E28	SSN43030083PT	E32
SDN12603710PL	F3-F5	SSJW410	G16	SSN4202008A	E28	SSN43030083PTA	E32
SDN12603808	F3-F5	SSJW42	G16	SSN4202408	E28	SSN4303008A	E28
SDN12603808PL	F3-F5	SSJW43	G16	SSN4202408A	E28	SSN4304210WF3PT	E26
SDN12603812	F3-F5	SSJW44	G16	SSN4241608	E28	SSN4304810WF3PT	E26
SDN12603812A	F3	SSJW45	G16	SSN4241608A	E28	SSN4306010WF3PT	E26
SDN12603812PL	F3-F5	SSJW61	G16	SSN4242006	E28	SSN4362408	E28
SDN12603816	F3-F5	SSJW610	G16	SSN42420063PT	E32	SSN43624083PT	E32
SDN12603816PL	F3-F5	SSJW62	G16	SSN4242006A	E28	SSN43624083PTA	E32
SL020290	G2	SSJW63	G16	SSN4242008	E28	SSN4362408A	E28
SL020290G	G2	SSJW64	G16	SSN42420083PT	E32	SSN4362410	E28
SL040490	G2	SSJW65	G16	SSN42420083PTA	E32	SSN4362410A	E28
SL040490G	G2	SSJWA4	G16	SSN4242008A	E28	SSN4363008	E28
SL060690	G2	SSJWA6	G16	SSN4242010	E28	SSN43630083PT	E32
SL060690G	G2	SSJWBH4	G16	SSN42420103PT	E32	SSN43630083PTA	E32
SL080890	G2	SSJWBH6	G16	SSN42420103PTA	E32	SSN4363008A	E28
SL080890G	G2	SSJWD4	G16	SSN4242010A	E28	SSN4363010	E28
SL101090	G2	SSJWD6	G16	SSN42420203PTW	E34	SSN43630103PT	E32
SL101090G	G2	SSJWE4	G16	SSN4242406A	E28	SSN43630103PTA	E32
SL121290	G2	SSJWE6	G16	SSN4242408	E28	SSN4363010A	E28

PART NUMBER	PAGE	PART NUMBER	PAGE	PART NUMBER	PAGE	PART NUMBER	PAGE
SSN4363012.....	E28	SSN4D7460123PTA.....	E40	T6618CH.....	G20	W2A4C6NP36L.....	K2-K21
SSN43630123PT.....	E32	SSN4D747212.....	E36	T6624CH.....	G20	W2A4C6NP47L.....	K2-K21
SSN43630123PTA.....	E32	SSN4D7472123PT.....	E40	T6630CH.....	G20	W2A4C6RP36R.....	K2-K21
SSN43630123PTW.....	E34	SSN4D7472123PTA.....	E40	T6636CH.....	G20	W2A4C7NP47L.....	K2-K21
SSN4363012A.....	E28	SSN4D747224.....	E36	T6648CH.....	G20	W2A4C8NP47L.....	K2-K21
SSN4363016.....	E28	SSN4D7472243PT.....	E40	T6660CH.....	G20	W2NA4C10P47L.....	K2-K21
SSN4363016A.....	E28	SSN4D7472243PTA.....	E40	T6672CH.....	G20	W2NA4C10P47R.....	K2-K21
SSN4363612.....	E28	SSN4X242108.....	F12	T8812CH.....	G20	W2NA4C2P32R.....	K2-K21
SSN43636123PT.....	E32	SSN4X242508.....	F12	T8824CH.....	G20	W2NA4C4P32L.....	K2-K21
SSN43636123PTA.....	E32	SSN4X302508.....	F12	T8836CH.....	G20	W2NA4C4P32R.....	K2-K21
SSN43636123PTW.....	E34	SSN4X362508.....	F12	T8848CH.....	G20	W2NA4C6P38R.....	K2-K21
SSN4363612A.....	E28	SSN4X363108.....	F12	T8860CH.....	G20	W2NA4C7P38L.....	K2-K21
SSN4364212WF3PT.....	E26	SSN4X423112.....	F12	W01800120-4.....	K24-K42	W2NA4C7P38R.....	K2-K21
SSN4364812WF3PT.....	E26	SSN4X423712.....	F12	W01800230-4.....	K24-K42	W2NA4C8P47R.....	K2-K21
SSN4366012WF3PT.....	E26	SSN4X483712.....	F12	W01801120-5.....	K24-K42	W38OILFILTER.....	K22
SSN4423010.....	E28	SSN4X603712.....	F12	W01801230-5.....	K24-K42	W740900.....	K22
SSN4423010A.....	E28	STFX05.....	K24-K42	W01802120-7.....	K24-K42	W750400.....	K22
SSN4423608.....	E28	T0202.....	G2	W01802230-7.....	K24-K42	W7901500.....	K22
SSN4423608A.....	E28	T0202G.....	G2	W01803120-10.....	K24-K42	W7971700.....	K22
SSN44236123PTW.....	E34	T0404.....	G2	W01803230-10.....	K24-K42	W797SS1700.....	K22
SSN4424212WF3PT.....	E26	T0404G.....	G2	W1032N.....	J2-23	WA060604GIE.....	C12
SSN4424812WF3PT.....	E26	T0606.....	G2	W11800F-4.....	K24-K42	WA060604GSC.....	D6
SSN4426012WF3PT.....	E26	T0606G.....	G2	W11801F-5.....	K24-K42	WA060604GSCG.....	D6
SSN44826123PTW.....	E34	T0808.....	G2	W11802F-7.....	K24-K42	WA060606GSC.....	D6
SSN4483608.....	E28	T0808G.....	G2	W11803F-10.....	K24-K42	WA060606GSCG.....	D6
SSN4483608A.....	E28	T1010.....	G2	W12OILFILTER.....	K24-K42	WA060804GSC.....	D6
SSN4483610.....	E28	T1010G.....	G2	W1C24.....	H2-H10	WA060804GSCG.....	D6
SSN4483610A.....	E28	T1212.....	G2	W1C30.....	H2-H10	WA060806GSC.....	D6
SSN4483612.....	E28	T121224CH.....	G20	W1C36.....	H2-H10	WA060806GSCG.....	D6
SSN4483612A.....	E28	T121236CH.....	G20	W1C42.....	H2-H10	WA080604GIE.....	C2-C15
SSN4483616.....	E28	T121248CH.....	G20	W1C48.....	H2-H10	WA0806JS.....	J8-J9
SSN44836163PTW.....	E34	T121260CH.....	G20	W2A3C12NP47R.....	K2-K21	WA0806JTMA.....	J8-J9
SSN4483616A.....	E28	T1212G.....	G2	W2A3C12RP47R.....	K2-K21	WA080804GIE.....	C2-C15
SSN4484812WF3PT.....	E26	T2212CH.....	G20	W2A3C13NP47R.....	K2-K21	WA080804GSC.....	D6
SSN4603612.....	E28	T2218CH.....	G20	W2A3C8RP47R.....	K2-K21	WA080804GSCG.....	D6
SSN46036123PTW.....	E34	T2224CH.....	G20	W2A4C10MML.....	K2-K21	WA080806GIE.....	C2-C15
SSN4603612A.....	E28	T2236CH.....	G20	W2A4C10NP47L.....	K2-K21	WA080806GSC.....	D6
SSN4603616.....	E28	T2248CH.....	G20	W2A4C12MML.....	K2-K21	WA080806GSCG.....	D6
SSN4603616A.....	E28	T2260CH.....	G20	W2A4C12NP47L.....	K2-K21	WA0808JS.....	J8-J9
SSN4D624812.....	E36	T2272CH.....	G20	W2A4C2HTL.....	K2-K21	WA0808JTMA.....	J8-J9
SSN4D6248123PT.....	E40	T4412CH.....	G20	W2A4C2ONP17L.....	K2-K21	WA081004GSC.....	D6
SSN4D6248123PTA.....	E40	T4418CH.....	G20	W2A4C2RP17R.....	K2-K21	WA081004GSCG.....	D6
SSN4D6248183PT.....	E40	T4424CH.....	G20	W2A4C3RP28R.....	K2-K21	WA08JB.....	J8-J9
SSN4D6248183PTA.....	E40	T4430CH.....	G20	W2A4C4HTL.....	K2-K21	WA100804GIE.....	C2-C15
SSN4D626012.....	E36	T4436CH.....	G20	W2A4C4HTR.....	K2-K21	WA100806GIE.....	C2-C15
SSN4D6260123PT.....	E40	T4448CH.....	G20	W2A4C4NP28L.....	K2-K21	WA1008JS.....	J8-J9
SSN4D6260123PTA.....	E40	T4460CH.....	G20	W2A4C4NP33L.....	K2-K21	WA101004GSC.....	D6
SSN4D746012.....	E36	T4472CH.....	G20	W2A4C4NP36L.....	K2-K21	WA101004GSCG.....	D6
SSN4D7460123PT.....	E40	T6612CH.....	G20	W2A4C4RP33R.....	K2-K21	WA101006GIE.....	C2-C15

PART NUMBER	PAGE	PART NUMBER	PAGE	PART NUMBER	PAGE	PART NUMBER	PAGE
WA101006GSC	D6	WA20T	J8-J9	WA44PBCOLSS	H12	WA60P48F1G	C30
WA101006GSCG	D6	WA21ABA	J8-J9	WA484812WF	C19	WA60P48F2	I8-I12
WA101010JS	J8-J9	WA21ABVA	J8-J9	WA48T	J8-J9	WA60P48F2G	C30
WA101010JTMA	J8-J9	WA21BAP	J8-J9	WA4AXFN	K24-K42	WA60RA19TH	I12-I13
WA101206GSC	D6	WA21CHVA	J12	WA4AXFN2	K24-K42	WA60RP24F5	I12-I13
WA101206GSCG	D6	WA21GETDA	J12	WA4C10MML	K2-K21	WA60RP24F6	I12-I13
WA10AXFN	K24-K42	WA21ITE	J12	WA4C12MML	K2-K21	WA60SMP14	I8-I12
WA10AXFN2	K24-K42	WA21SDA	J12	WA4C2HTL	K2-K21	WA60SMP14G	C31
WA10JB	J8-J9	WA21WHA	J12	WA4C2ONP17L	K2-K21	WA60SP24F3	I8-I12
WA121004GIE	C2-C15	WA21WHAMTA	J12	WA4C2RP17R	K2-K21	WA60SP24F3G	C31
WA121006GIE	C2-C15	WA22BAP	J12	WA4C3RP28R	K2-K21	WA60SP24F4	I8-I12
WA121010JS	J8-J9	WA242408FM	C21	WA4C4HTL	K2-K21	WA60SP24F4G	C31
WA121204GSC	D6	WA242408GSC	D6	WA4C4HTR	K2-K21	WA60SP36F3	I8-I12
WA121204GSCG	D6	WA242408GSCG	D6	WA4C4NP28L	K2-K21	WA60SP36F3G	C31
WA121206GIE	C2-C15	WA244208WF	C19	WA4C4NP33L	K2-K21	WA60SP36F4	I8-I12
WA121206GSC	D6	WA244808WF	C19	WA4C4NP36L	K2-K21	WA60SP36F4G	C31
WA121206GSCG	D6	WA24NTMA2	J8-J9	WA4C4RP33R	K2-K21	WA60X4912SSN4	F46
WA121210JS	J8-J9	WA24NTMA3	J8-J9	WA4C6NP36R	K2-K21	WA60X4912U	F28
WA121210JTMA	J8-J9	WA24SBASE	H12	WA4C6NP47R	K2-K21	WA60X4918SSN4	F46
WA121606GSC	D6	WA24SBASESS	H12	WA4C6RP36R	K2-K21	WA60X4918U	F28
WA121606GSCG	D6	WA24T	J8-J9	WA4C7NP47L	K2-K21	WA60X4924U	F28
WA121608GSC	D6	WA302408FM	C21	WA4C7NP47R	K2-K21	WA60X6112SSN4	F46
WA121608GSCG	D6	WA303012GSC	D6	WA602418FS	C25	WA60X6112U	F28
WA121608GSCG	D6	WA303012GSCG	D6	WA602418FSD	C27	WA60X6118SSN4	F46
WA121608GSCG	D6	WA304210WF	C19	WA602418FSSS	E38	WA60X6118U	F28
WA121608GSCG	D6	WA304810WF	C19	WA602418SSFSN43PT	E42	WA60X6124U	F28
WA121608GSCG	D6	WA306010WF	C19	WA603624FS	E38	WA66CCOL	H12
WA121608GSCG	D6	WA30T	J8-J9	WA603624FSD	D26	WA66CCOLSS	H12
WA121608GSCG	D6	WA3456BAP	J12	WA603624FSSS	E25	WA66PBCOL	H12
WA121608GSCG	D6	WA363008FM	C21	WA603624SSFSN43PT	E42	WA66PBCOLSS	H12
WA121608GSCG	D6	WA363612GSC	D6	WA604818FSD	C27	WA6AXFN	K24-K42
WA121608GSCG	D6	WA363612GSCG	D6	WA604818FSDSS	E38	WA6AXFN2	K24-K42
WA121608GSCG	D6	WA364212WF	C19	WA604818SSFSDN43PT	E44	WA722418FS	C25
WA121608GSCG	D6	WA364812WF	C19	WA60CPX4812SSN4	F46	WA722418FSDN43PT	D26
WA121608GSCG	D6	WA366012WF	C19	WA60CPX4912U	F28	WA722418FSSS	E38
WA121608GSCG	D6	WA36T	J8-J9	WA60CPX4924U	F28	WA722418SSFSN43PT	E42
WA121608GSCG	D6	WA3C10NP47R	K2-K21	WA60CPX6012SSN4	F46	WA722424FS	C25
WA121608GSCG	D6	WA3C12NP47R	K2-K21	WA60CPX6112U	F28	WA722424FSDA	C28
WA121608GSCG	D6	WA3C12RP47R	K2-K21	WA60CPX6124U	F28	WA722424FSDN43PT	D26
WA121608GSCG	D6	WA3C13NP47R	K2-K21	WA60FSCPS	I8-I12	WA722424FSSS	E38
WA121608GSCG	D6	WA3C8NP47L	K2-K21	WA60P24F1	I8-I12	WA722424SSFSN43PT	E42
WA121608GSCG	D6	WA3C8RP47R	K2-K21	WA60P24F1G	C30	WA722430FSDA	C28
WA121608GSCG	D6	WA424212WF	C19	WA60P24F2	I8-I12	WA722436FSDA	C28
WA121608GSCG	D6	WA424812WF	C19	WA60P24F2G	C30	WA723018FS	C25
WA121608GSCG	D6	WA426012WF	C19	WA60P36F1	I8-I12	WA723018FSDN43PT	D26
WA121608GSCG	D6	WA42T	J8-J9	WA60P36F1G	C30	WA723018FSSS	E38
WA121608GSCG	D6	WA44CCOL	H12	WA60P36F2	I8-I12	WA723018SSFSN43PT	E42
WA121608GSCG	D6	WA44CCOLSS	H12	WA60P36F2G	C30	WA723024FS	E25
WA121608GSCG	D6	WA44PBCOL	H12	WA60P48F1	I8-I12	WA723024FSDA	C28

PART NUMBER	PAGE	PART NUMBER	PAGE	PART NUMBER	PAGE	PART NUMBER	PAGE
WA723024FSN43PT.....	D26	WA72CPX7218SSN4.....	F46	WA72SP36F4G.....	C31	WA903620FSSS.....	E38
WA723024FSSS.....	E38	WA72CPX7312U.....	F28	WA72X6112SSN4.....	F46	WA903620SSFSN43PT.....	E42
WA723024SSFSN43PT.....	E42	WA72CPX7318U.....	F28	WA72X6112U.....	F28	WA903624FS.....	E25
WA7230SOF19.....	I8-I12	WA72FSCPS.....	I8-I12	WA72X6118SSN4.....	F46	WA903624FSDA.....	C28
WA723618FS.....	C25	WA72P24F1.....	I8-I12	WA72X6118U.....	F28	WA903624FSN43PT.....	D26
WA723618FSN43PT.....	D26	WA72P24F1G.....	C30	WA72X7312SSN4.....	F46	WA903624FSSS.....	E38
WA723618FSSS.....	E38	WA72P24F2.....	I8-I12	WA72X7312U.....	F28	WA903624SSFSN43PT.....	E42
WA723618SSFSN43PT.....	E42	WA72P24F2G.....	C30	WA72X7318SSN4.....	F46	WA903636FS.....	C25
WA723624FS.....	C25	WA72P30F1.....	I8-I12	WA72X7318U.....	F28	WA903636FSDA.....	C28
WA723624FSDA.....	C28	WA72P30F1G.....	C30	WA72X7324SSN4.....	F46	WA903636FSN43PT.....	D26
WA723624FSN43PT.....	D26	WA72P30F2.....	I8-I12	WA72X7324U.....	F28	WA903636FSSS.....	E38
WA723624FSSS.....	E38	WA72P30F2G.....	C30	WA72XM2718SSN4.....	F49	WA903636SSFSN43PT.....	E42
WA723624SSFSN43PT.....	E42	WA72P30F2G.....	C30	WA72XM2718U.....	F34	WA9036SOF19.....	I8-I12
WA723630FS.....	C25	WA72P36F1.....	I8-I12	WA72XM2718U.....	F34	WA904820FSD.....	C27
WA723630FSN43PT.....	D26	WA72P36F1G.....	C30	WA72XM3318SSN4.....	F49	WA904820FSDSS.....	E38
WA723630FSSS.....	E38	WA72P36F2.....	I8-I12	WA72XM3318U.....	F34	WA904820SSFSDN43PT.....	E44
WA723630SSFSN43PT.....	E42	WA72P36F2G.....	C30	WA72XM3918SSN4.....	F49	WA907220FSD.....	C27
WA723636FS.....	E25	WA72P48F1.....	I8-I12	WA72XM3918U.....	F34	WA907220FSDSS.....	E38
WA723636FSDA.....	C28	WA72P48F1G.....	C30	WA72XM3EQ18U.....	F34	WA907220SSFSDN43PT.....	E44
WA723636FSN43PT.....	D26	WA72P48F2.....	I8-I12	WA72XM3EW18U.....	F34	WA907224FSD.....	C27
WA723636FSSS.....	E38	WA72P48F2G.....	C30	WA72XM5318SSN4.....	F49	WA907224FSDAD.....	C29
WA723636SSFSN43PT.....	E42	WA72P60F1.....	I8-I12	WA72XM5318U.....	F34	WA907224FSDSS.....	E38
WA7236SOF19.....	I8-I12	WA72P60F1G.....	C30	WA72XM6518SSN4.....	F49	WA907224SSFSDN43PT.....	E44
WA724818FSD.....	C27	WA72P60F2.....	I8-I12	WA72XM6518U.....	F34	WA907236FSD.....	C27
WA724818FSDSS.....	E38	WA72P60F2G.....	C30	WA72XM7718SSN4.....	F49	WA907236FSDSS.....	E38
WA724818SSFSDN43PT.....	E44	WA72P72F1.....	I8-I12	WA72XM7718U.....	F34	WA907236SSFSDN43PT.....	E44
WA724824FSD.....	C27	WA72P72F1G.....	C30	WA72XM7724SSN4.....	F49	WA90FSCPS.....	I8-I12
WA724824FSDAD.....	C29	WA72P72F2.....	I8-I12	WA72XM7724U.....	F34	WA90P24F1.....	I8-I12
WA724824FSDSS.....	E38	WA72P72F2G.....	C30	WA8.....	J2-J19	WA90P24F1G.....	C30
WA724824SSFSDN43PT.....	E44	WA72RA19TH.....	I12-I13	WA84XM3918SSN4.....	F49	WA90P24F2.....	I8-I12
WA726018FSD.....	C27	WA72RA24TH.....	I12-I13	WA84XM3918U.....	F34	WA90P24F2G.....	C30
WA726018FSDSS.....	E38	WA72RP24F5.....	I12-I13	WA84XM3924SSN4.....	F49	WA90P36F1.....	I8-I12
WA726018SSFSDN43PT.....	E44	WA72RP24F6.....	I12-I13	WA84XM3EW18U.....	F34	WA90P36F1G.....	C30
WA726024FSD.....	C27	WA72RP30F5.....	I12-I13	WA84XM4EW18U.....	F34	WA90P36F2.....	I8-I12
WA726024FSDAD.....	C29	WA72RP30F6.....	I12-I13	WA84XM5EW18U.....	F34	WA90P36F2G.....	C30
WA726024FSDSS.....	E38	WA72SMP14.....	I8-I12	WA84XM7718SSN4.....	F49	WA90P48F1.....	I8-I12
WA726024SSFSDN43PT.....	E44	WA72SMP14G.....	C31	WA84XM7718U.....	F34	WA90P48F1G.....	C30
WA726036FSD.....	C27	WA72SMP20.....	I8-I12	WA84XM7724SSN4.....	F49	WA90P48F2.....	I8-I12
WA726036FSDAD.....	C29	WA72SMP20G.....	C31	WA86M3E.....	C33-C36	WA90P48F2G.....	C30
WA726036FSDSS.....	E38	WA72SP24F3.....	I8-I12	WA86M3E20.....	C33-C36	WA90P72F1.....	I8-I12
WA726036SSFSDN43PT.....	E44	WA72SP24F3G.....	C31	WA86M4E.....	C33-C36	WA90P72F1G.....	C30
WA727218FSD.....	C27	WA72SP24F4.....	I8-I12	WA86M4E20.....	C33-C36	WA90P72F2.....	I8-I12
WA727218FSDSS.....	E38	WA72SP24F4G.....	C31	WA86M5E.....	C33-C36	WA90P72F2g.....	C30
WA727218SSFSDN43PT.....	E44	WA72SP30F3.....	I8-I12	WA86M5E20.....	C33-C36	WA90RA19TH.....	I12-I13
WA727224FSD.....	C27	WA72SP30F3G.....	C31	WA902420FS.....	C25	WA90RP24F5.....	I12-I13
WA727224FSDAD.....	C29	WA72SP30F4.....	I8-I12	WA902420FSN43PT.....	D26	WA90RP24F6.....	I12-I13
WA727224FSDSS.....	E38	WA72SP30F4G.....	C31	WA902420FSSS.....	E38	WA90SMP14.....	I8-I12
WA727224SSFSDN43PT.....	E44	WA72SP36F3.....	I8-I12	WA902420SSFSN43PT.....	E42	WA90SMP14G.....	C31
WA72CPX7212SSN4.....	F46	WA72SP36F3G.....	C31	WA903620FS.....	C25	WA90SMP20.....	I8-I12
		WA72SP36F4.....	I8-I12	WA903620FSN43PT.....	D26		

PART NUMBER	PAGE	PART NUMBER	PAGE	PART NUMBER	PAGE	PART NUMBER	PAGE
WA90SMP20G	C31	WAL12AR	J2-J19	WAPWK1711SS	J5	WBP2020	B10-B13
WA90SP36F3	I8-I12	WAL12B	J2-J19	WAPWK2315NF	J5	WBP2418	B10-B13
WA90SP36F3G	C31	WAL12KEY	J2-23	WAPWK2315SS	J5	WBP2420	B10-B13
WA90SP36F4	I8-I12	WAL1A	J2-J19	WAPWK2919NF	J5	WBP2424	B10-B13
WA90SP36F4G	C31	WAL1B	J2-J19	WAPWK3523NF	J5	WBP3024	B10-B13
WA90XM3918SSN4	F49	WAL1C	J2-J19	WARAK24	I13, J12	WBP3030DD	B10-B13
WA90XM3920SSN4	F49	WAL1D	J2-J19	WARAK30	I13, J12	WBP3044DD	B10-B13
WA90XM3920U	F34	WAL23	J2-J19	WARAK36	I13, J12	WBP3236DD	B10-B13
WA90XM3924SSN4	F49	WAL23SS	J2-J19	WAS050	J4	WBP3624	B10-B13
WA90XM3924U	F34	WAL23SSA	J2-23	WAS050SS	J4	WBP3630	B10-B13
WA90XM3924U	F34	WAL2A	J2-J19	WAS075	J4	WBP3636DD	B10-B13
WA90XM3924U	F34	WAL2B	J2-J19	WAS075SS	J4	WBP4242DD	B10-B13
WA90XM7718SSN4	F49	WAL2C	J2-23	WAS100	J4	WBP4848DD	B10-B13
WA90XM7720SSN4	F49	WAL2D	J2-J19	WAS100SS	J4	WC08C08	H12
WA90XM7720U	F34	WAL2D	J2-J19	WAS125	J4	WC08C08SS	E14
WA90XM7724SSN4	F49	WAL3A	J2-23	WAS125SS	J4	WC08C12	H12
WA90XM7724U	F34	WAL3ASS	J15	WAS150	J4	WC08C12SS	E14
WABN4JIC	J2-23	WAL3B	J2-23	WAS150SS	J4	WC08C16	H12
WACLJIC	J2-23	WAL3BSS	J15	WAS200	J4	WC08C16SS	E14
WACLKEY	J2-23	WAL3C	J2-23	WAS200SS	J4	WC08C20	H12
WACLSN12	J2-J19	WAL3CSS	J15	WAS250	J4	WC08C20SS	E14
WACSHELF12	J2-J19	WAL3D	J2-23	WAS300	J4	WC10B	H2-H10
WACSHELF18	J2-J19	WAL3DSS	J15	WAS350	J4	WC10C	J2-23
WADSTOPK	J3	WAL4A	J2-23	WAS400	J4	WC10T	H2-H10
WAEK115	J7	WAL4B	J2-23	WASPB	J4	WC10W	H2-H10
WAEK115NDH	J7	WAL4C	J2-23	WASPBG	J4	WC1224B	H2-H10
WAEKDF	J7	WAL4D	J2-23	WASPBGSS	J4	WC1224T	H2-H10
WAEMKA4	J2-23	WAL8	J2-J19	WASPSS	J4	WC1224W	H2-H10
WAENST	J2-23	WAMFK3RL014	B9	WAVK0203	J2-J19	WC1248BD	H2-H10
WAEXG275	K24-K42	WAMFK3RL016	B9	WAVK0203SSA	K27	WC1248T	H2-H10
WAFLT33	J2-J19	WAN12RA	J2-23	WAVK0303	J2-J19	WC1248W	H2-H10
WAFLT34	J2-J19	WAN4XRA	J2-23	WAVK0303SSA	K27	WC12B	H2-H10
WAFLT44	J2-J19	WANADFK	J2-23	WAVK0304	J2-J19	WC12C	J2-23
WAFLT64	J2-J19	WAPLKJIC	J2-23	WAVK0304SSA	K27	WC12C12	H12
WAFLT66	J2-J19	WAPMK3RL014	B9	WAVK0404	J2-J19	WC12C12SS	E14
WAFLT812	J2-J19	WAPMK3RL016	B9	WAVK0404SSA	K27	WC12C16	H12
WAFLT86	J2-J19	WAPPL0606	J2-J19	WAVK0604	J2-J19	WC12C16SS	E14
WAFLT88	J2-J19	WAPPL0810	J2-J19	WAVK0604SSA	K27	WC12C20	H12
WAFMP10	J2-J19	WAPS03	J2-J19	WAVK0606	J2-J19	WC12C20SS	E14
WAFMP4	J2-J19	WAPS09	J2-J19	WAVK0606SSA	K27	WC12C24	H12
WAFMP6	J2-J19	WAPS1420CN	J2-23	WAVK0806	J2-J19	WC12C24SS	E14
WAFT44XSS	J2-J19	WAPS3816CN	J2-23	WAVK0806SSA	K27	WC12T	H2-H10
WAFT44XSSA	J2-J19	WAPWK0503NF	J5	WAVK0808	J2-J19	WC12W	H2-H10
WAGARD10	K24-K42	WAPWK0503SS	J5	WAVK0808SSA	K27	WC1436B	H2-H10
WAGARD4	K24-K42	WAPWK0905NF	J5	WAVK0812	J2-J19	WC1436P1	H2-H10
WAGARD6	K24-K42	WAPWK0905SS	J5	WAVK0812SSA	K27	WC1436P2	H2-H10
WAGSE	J2-J19	WAPWK1308NF	J5	WAVE	J2-J19	WC1436P3	H2-H10
WAJCDFK	J2-J19	WAPWK1308SS	J5	WAX10	J2-J19	WC1436T	H2-H10
WAJICRA	J2-J19	WAPWK1705NF	J5	WBP1812	B10-B13	WC1436W	H2-H10
WAKP529A	K24-K42	WAPWK1711NF	J5				

PART NUMBER	PAGE	PART NUMBER	PAGE	PART NUMBER	PAGE	PART NUMBER	PAGE
WC1448BD	H2-H10	WGS1008	J7	WNA4C2P32R	K2-K21	WPFBE100	K24-K42
WC1448P2	H2-H10	WGS1016	J7	WNA4C4P32L	K2-K21	WPFBE200	K24-K42
WC1448P3	H2-H10	WHVL031100120	K24-K42	WNA4C4P32R	K2-K21	WPFBE500	K24-K42
WC1448T	H2-H10	WHVL031150120	K24-K42	WNA4C6P38R	K2-K21	WPFBM100	K24-K42
WC1448W	H2-H10	WHVL031200120	K24-K42	WNA4C7P38L	K2-K21	WPFBM200	K24-K42
WC1460BD	H2-H10	WHVL031300120	K24-K42	WNA4C7P38R	K2-K21	WPFBM500	K24-K42
WC1460P2	H2-H10	WHVL031400120	K24-K42	WNV6LED	J18	WPFPG10	K24-K42
WC1460P3	H2-H10	WKL025SWLT120	K24-K42	WPBA1	H16-H26	WPFPG20	K24-K42
WC1460T	H2-H10	WLFPG25A	J18	WPBA10	H16-H26	WPFPG25/30	K24-K42
WC1460W	H2-H10	WLFPG25B	J18	WPBA12	H16-H26	WPFPG50/60	K24-K42
WC14B	H2-H10	WLFPG25C	J18	WPBA12S	H16-H26	WPFPM10	K24-K42
WC14P1	H2-H10	WLFPG25G	J18	WPBA16	H16-H26	WPFPM20	K24-K42
WC14P2	H2-H10	WLFPG25R	J18	WPBA16S	H16-H26	WPFPM25/30	K24-K42
WC14P3	H2-H10	WLFPG26A	J18	WPBA2	H16-H26	WPFPM50/60	K24-K42
WC14R	H2-H10	WLFPG26B	J18	WPBA20	H16-H26	WPG10BE	K24-K42
WC14T	H2-H10	WLFPG26C	J18	WPBA25	H16-H26	WPG10BK	K24-K42
WC14W	H2-H10	WLFPG26G	J18	WPBA3	H16-H26	WPG20BE	K24-K42
WC16C16	H12	WLFPG26R	J18	WPBA30	H16-H26	WPG20BK	K24-K42
WC16C16SS	E14	WLSG25A	J18	WPBA4	H16-H26	WPG25/30BE	K24-K42
WC16C20	H12	WLSG25B	J18	WPBA4S	H16-H26	WPG25/30BK	K24-K42
WC16C20SS	E14	WLSG25C	J18	WPBA6	H16-H26	WPG50/60BE	K24-K42
WC16C24	H12	WLSG25G	J18	WPBA8	H16-H26	WPG50/60BK	K24-K42
WC16C24SS	E14	WLSG25R	J18	WPBA9	H16-H26	WVC1-1	J19
WC16C30	H12	WLSG26A	J18	WPF10-115	K24-K42	WVC2-1	J19
WC16C30SS	E14	WLSG26B	J18	WPF10-115BK	K24-K42	WVC6-1	J19
WC16C36	H12	WLSG26C	J18	WPF20-115	K24-K42	WWG11-1	J19
WC16C36SS	E14	WLSG26G	J18	WPF20-115BK	K24-K42	WWG12-1	J19
WC20C20	H12	WLSG26R	J18	WPF25-115	K24-K42	WWG13-1	J19
WC20C20SS	E14	WMOD7218EPT	F40	WPF25-115BK	K24-K42	WWG22-1	J19
WC20C24	H12	WMOD7218FTPT	F40	WPF30-115	K24-K42	WWG25-2	J19
WC20C24SS	E14	WMOD7218GK	F40	WPF30-115BK	K24-K42	WWG33-1	J19
WC20C30	H12	WMOD723818	F40	WPF50-115	K24-K42	WWG37-3	J19
WC20C30SS	E14	WMOD727718	F40	WPF50-115BK	K24-K42	WWG77-6	J19
WC924B	H2-H10	WMOD72X4018U	F40	WPF60-115	K24-K42	X0202	G2
WC936B	H2-H10	WMOD72X7818U	F40	WPF60-115BK	K24-K42	X0202G	G2
WCR027350120	K24-K42	WMOD8418EPT	F40	WPFA10	K24-K42	X0404	G2
WCR027350230	K24-K42	WMOD8418FTPT	F40	WPFA10BK	K24-K42	X0404G	G2
WCR027550120	K24-K42	WMOD8418GK	F40	WPFA20	K24-K42	X0606	G2
WCR027550230	K24-K42	WMOD8424EPT	F40	WPFA20BK	K24-K42	X0606G	G2
WCT242412	B10-B13	WMOD8424FTPT	F40	WPFA25/30	K24-K42	X0808	G2
WCT303012	B10-B13	WMOD8424GK	F40	WPFA25/30BK	K24-K42	X0808G	G2
WCT363012	B10-B13	WMOD843818	F40	WPFA50/60	K24-K42	X1010	G2
WCT363612	B10-B13	WMOD843824	F40	WPFA50/60BK	K24-K42	X1010G	G2
WCT483616	B10-B13	WMOD847718	F40	WPFB100115	K24-K42	X1212	G2
WDL026MAG	J17-J18	WMOD847724	F40	WPFB100230	K24-K42	X1212G	G2
WDL026MSLT120	J17-J18	WMOD84X4018U	F40	WPFB200115	K24-K42	ZR011C	K24-K42
WDL026SEAD	J17-J18	WMOD84X4024U	F40	WPFB200230	K24-K42	ZR011F	K24-K42
WDL026SWLT120	J17-J18	WMOD84X7818U	F40	WPFB500115	K24-K42		
WGNDKT	J7	WMOD84X7824U	F40	WPFB500230	K24-K42		

HUBBELL INC. Corporate Headquarters 584 Derby Milford Rd. Orange, CT 06477

Our brands are all long established and well respected businesses within each of their industries,. To find out more about a specific brand visit the websites listed.

HUBBELL ELECTRICAL SYSTEMS

Austdac Ph: +61(2)8851 5000 www.austdac.com.au	Bryant Electric Ph: 800-323-2792 www.hubbell-bryant.com	Burndy LLC Ph: 603-647-5000 www.burndy.com	Chalmit Lighting Ph: +44(0)141 882 5555 www.chalmit.com
GAI-Tronics- United Kingdom Tel: +44(0)1283 500500 www.gai-tronics.org.uk	GAI-Tronics - USA Ph: 800-492-1212 www.gai-tronics.com	Gleason Reel Corporation Ph: 920-387-4120 www.hubbell-gleason.com	Haefely Test AG Ph: +41 61 373 41 11 www.haefely.com
Haefely Test EMC AG Ph: +41 61 373 41 11 www.haefelyemc.com	Hawke International Ph: +44 0161 308 3611 www.ehawke.com	Hawke International-USA Ph: 800-354 9189 www.ehawke.com	Hipotronics Ph: 845-279-8091 www.hipotronics.com
Hubbell Industrial Controls, Inc. Ph: 336-434-2800 www.hubbell-icd.com	Hubbell Marine Electrical Products Ph: 203-882-4900 www.hubbell-wiring.com	Hubbell Premise Wiring Ph: 800-626-0005 www.hubbell-premise.com	Hubbell Wiring Device-Kellems Ph: 203-882-4800 www.hubbell-wiring.com
Killark Ph: 314-531-0460 www.hubbell-killark.com	Pulsecom Ph: 800-381-1997 www.pulse.com	RACO BELL Ph: 800-722-6437 www.hubbell-raco.com	Tettex Instruments Ph: +41 61 373 4422 www.tettex.com
Transtar Ph: 0141 810 9666 www.transtargear.co.uk	Victor Lighting Ph: +44 (0) 141 810 9644 www.victor-lighting.com	Wiegmann Ph: 618-539-3193 www.hubbell-wiegmann.com	Wirecon Ph: (800) 323-2792 www.bryant-electric.com/Wirecon.aspx

HUBBELL LIGHTING

Alera Lighting Ph: 864-678-1000 www.aleralighting.com	Architectural Area Lighting Ph: 714-994-2700 www.aal.net	Beacon Products Ph: 800-345-4928 www.beaconproducts.com	Columbia Lighting Ph: 864-678-1000 www.columbialighting.com	
Compass Products Ph: (864)-678-1000 www.compasslightingproducts.com	Devine Lighting Ph: 864-678-1000 www.devine-ltg.com/index.php	Dual-Lite Ph: (864)-678-1000 www.dual-lite.com	HomeStyle Lighting Ph: 864-678-1000 www.homestyle-ltg.com	
Hubbell Building Automation Ph: 888-698-3242 www.hubbellautomation.com	Hubbell Industrial Lighting Ph: 864-678-1000 www.hubbellindustrial.com	Hubbell Outdoor Lighting Ph: 864-678-1000 www.hubbelloutdoor.com	Kim Lighting Ph: 626-968-5666 www.kimlighting.com	
Kurt Versen Ph: 201-664-8200 www.kurtversen.com	Precision-Paragon [P2] Ph: (714) 386-5550 www.p-2.com	Prescolite Ph: (864)-678-1000 www.prescolite.com	Progress Lighting Ph: 864-678-1000 www.progresslighting.com	
Security Lighting Systems Ph: 800-544-4848 www.securitylightingsystems.com	Spaulding Lighting Ph: (864)-678-1000 www.spauldinglighting.com	Sportsliter Solutions (SLS) Ph: 864-678-1000 www.sportslighting.com	Sterner Lighting Systems Ph: (864)-678-1000 www.sternerlighting.com	Whiteway Ph: 800-544-4848 www.whiteway-ltg.com

HUBBELL POWER SYSTEMS

Anderson Ph: 573-682-5521 www.hubbellpowersystems.com/about/anderson	Atlas Ph: 573-682-8414 www.abchance.com/about/atlas.asp	CDR Ph: 386-615-9510 www.cdrrsystems.com	Chance Ph: 573-682-5521 www.hubbellpowersystems.com/about/chance-civil	
Electro Composites Ph: 450-430-1181 www.eci-co.com/energy-products/apparatus-bushings.aspx	Fargo Mfg. Company, Inc. Ph: 573-682-5521 www.hubbellpowersystems.com/about/fargo	Hubbell Cable Accessories Ph: 573-682-5521 www.hubbellpowersystems.com/about/cable-accessories	Hubbell Power Systems Ph: 573-682-5521 www.hubbellpowersystems.com	
Ohio Brass Ph: 573-682-5521 www.hubbellpowersystems.com/about/ohio-brass	PCORE Electric Ph: (585) 768-1200 www.pcoreelectric.com	Polycast Ph: 800-346-3061 www.polycastdrain.com	Quazite Ph: 800-346-3062 www.quazite.com	USCO Ph: (205) 699-0840 www.uscopower.com

INTERNATIONAL



Hubbell Canada
Ph: 905-839-1138
www.hubbell-canada.com



Hubbell de Mexico
Ph: (01 52) 559-151-9999
www.hubbell.com.mx



UK Hubbell Products
Ph: +44 (0) 1283 500500
www.hubbell.co.uk

See Hubbell Website
For More Listings:
www.hubbell.com

501 West Apple
Freeburg, IL 62243
TEL: 618.539.3193 FAX: 618.539-5794

Hubbell Electrical Systems

A Division of Hubbell, Inc. (Delaware)

WG-CATALOG-2010/11 ©2010 Hubbell Electrical Systems Printed in U.S.A.

WIEGMANN[®]



www.hubbell-wiegmann.com

