

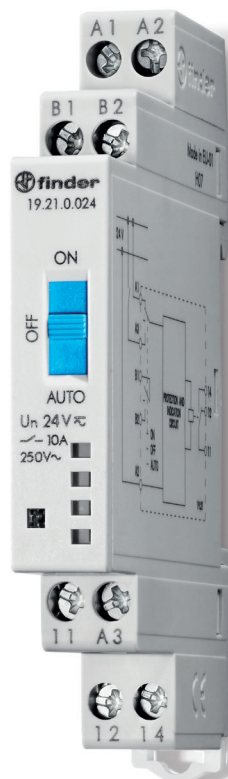
REPORT

19 Series



finder®

SWITCH TO THE FUTURE



10A Override Control Module Auto/Off/On

Ideal interface for use in combination with PLCs and other industrial control systems - with manual intervention possibility.

Approvals :



19.21.0.024.0000

Applications:

- building management systems
- HVAC
- greenhouses
- agricultural
- car washes

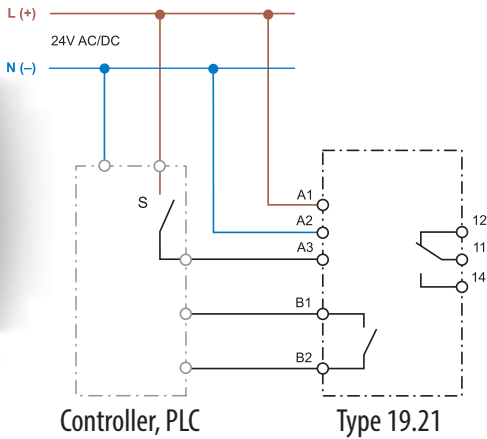
FEATURES

This Override Control Module allows users to manually control critical connected equipment (pumps, blowers, motors, irrigation valves, etc.) when a controller fails - to avoid system damage or downtime.

- Space saving: 11.2 mm wide
- 24 V AC/DC supply voltage
- 35 mm rail (EN 60715) mounting
- LED indication
- 3 function, easy to operate selection switch:
 - Auto: Controller operates the relay
 - Off: Relay permanently OFF
 - On: Relay permanently ON
- Feedback contact: signals when switch is not in "Auto" position



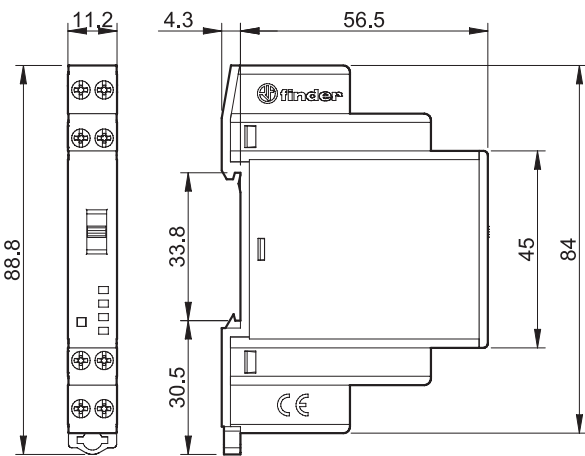
Wiring diagram



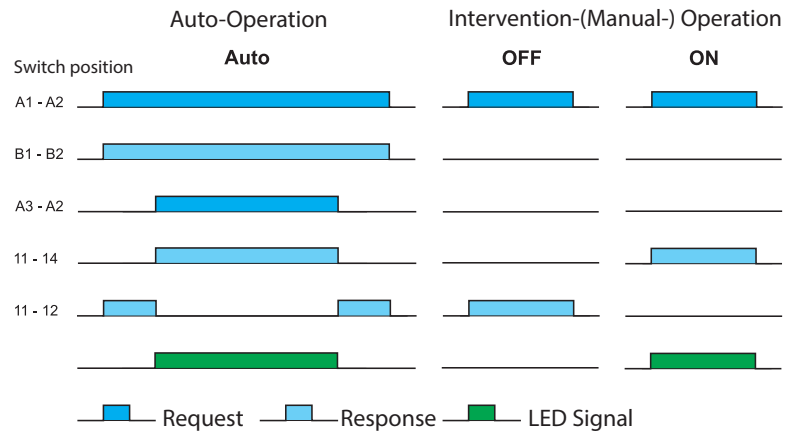
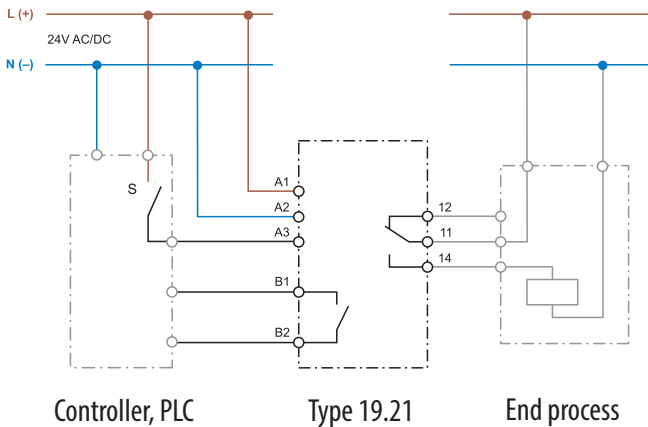
Specifications

Contact specification	
Contact configuration	1 CO (SPDT)
Rated current/max. peak current	10/15A
Rated voltage/max. switching voltage	250/400V AC
Rated load AC1	2500VA
Rated load AC15 (230V AC)	500VA
Single phase motor rating	1/4 Hp 120V 1/2 Hp 240V
Breaking capacity DC1 (24/110/220V)	10/0.3/0.12A
Minimum switching load	300 mV (5/5V/mA)
Standard contact material	AgSnO ₂
Feedback contact specification (terminals B1-B2)	
Contact configuration	1 NO (SPST-NO)
Maximum current	300mA
Rated voltage	24V AC/DC
Supply & Input specification	
Nominal voltage (U _N)	AC 24 V (50/60Hz) DC 24 V
Rated power	AC 0.6 VA (50/60Hz) DC 0.4W
Operating range	AC (0.8...1.1)U _N DC (0.8...1.1)U _N
Technical data	
Ambient temperature range	-20...+50 °C -4...+122 °F
Protection category	IP 20
Approvals	

Outline drawing



Application example



B1-B2 feedback to the controller signaling auto-operation
A3-A2 "auto" signal from controller

FINDER reserves the right to alter characteristics at any time without notice. FINDER assumes no liability for damage to persons or property, caused as a result of the incorrect use or application of its products.